



by Dometic GROUP

## 2015 Replacement Parts Guide



Part List Index	Page	3
Product Listing with Photos	Pages	4 - 12
Repair Parts & Replacement Kits Listing	Pages	13 - 32
Part Lists, SaniPottie Portable Toilets	Pages	33 - 34
Part Lists, Gravity Discharge Toilets	Pages	34 - 52
Part Lists, Macerator Toilets	Pages	53 - 69
Part Lists, RushFlush Toilets	Pages	70 - 71
Part Lists, VacuFlush Toilets	Pages	72 - 107
Part Lists, Vacuum Holding Tanks	Pages	108 - 114
Part Lists, Vacuum Pumps & Generators	Pages	115 - 120
Part Lists, Holding Tanks Systems	Pages	121 - 137
Part Lists, DTM 04 - 08 - 12	Page	138
Part Lists, Discharge Pump	Page	139
Part Lists, SaniSump	Page	140

Dometic Corporation, Sanitation Division  
 13128 State Route 226  
 Big Prairie, Ohio 44611  
 Phone 800-321-9886  
 Fax 330-496-3097  
 Email [sealand@dometic.com](mailto:sealand@dometic.com)

**Retail Prices Effective: January 1, 2015 through December 31, 2015**



# Index

## PAGES 4 - 12 GENERAL PRODUCT LISTING

## PAGES 33 - 140 PARTS LISTS


★Find your product, page number is where the parts list for that product is.

★These are parts lists for each individual product.


Page 4	960 Series Sanipotties & 970 Series Portables	Page 33	960 Series SaniPottie	Page 93	4606 All China VacuFlush
	300, 310, 320 Series Gravity Toilets	Page 34	970 Series Portable	Page 94	4609 All China VacuFlush
Page 5	510, 2010 Series & M28 Gravity Toilets	Page 35	110 Traveler Lite Toilet	Page 95	4648 All China VacuFlush
	3000, 4300 & 4400 Series Toilets	Page 36	111 Traveler Lite Toilet	Page 96	4709 All China VacuFlush
	7120 & 7160 Series Macerator Toilets	Page 37	210 Traveler Lite Toilet	Page 97	4748 All China VacuFlush
Page 6	7220 & 7260 Series Macerator Toilets	Page 38	300 Gravity Toilet	Page 98	4806 All China VacuFlush
	8100 Series Macerator Toilets	Page 39	310 Gravity Toilet	Page 99	4809 All China VacuFlush
	8600 Series Macerator Toilets	Page 40	320 Gravity Toilet	Page 100	4848 All China VacuFlush
	8700 Series Macerator Toilets	Page 41	510H Gravity Toilet	Page 101	4826 All China VacuFlush w Bidet
Page 7	8900 Series Macerator Toilets	Page 42	510+ Gravity Toilet	Page 102	4828 All China VacuFlush w Bidet
	93-9400 RushFlush Toilets	Page 43	510PS Gravity Toilet	Page 103	4829 All China VacuFlush w Bidet
	100 Series VacuFlush	Page 44	511H Gravity Toilet	Page 104	5006 VacuFlush
	500+ VacuFlush	Page 45	711-M28 Gravity Toilet	Page 105	5009 VacuFlush
Page 8	600 Series VacuFlush	Page 46	2010 Gravity Toilet	Page 106	5047-48-49 VacuFlush
	700 Series VacuFlush	Page 47	2011 Gravity Toilet	Page 107	5146-47-48-49 VacuFlush
	800 Series VacuFlush	Page 48	3110 All China Gravity Toilet	Page 108	CVT 326002510
	1000 Series VacuFlush	Page 49	3200 All China Gravity Toilet	Page 109	CVT 326002520-521
	3000 Series VacuFlush (Magnum Opus)	Page 50	3310 All China Gravity Toilet	Page 110	VHT 317769012
	3600 Series VacuFlush	Page 51	4310 All China Gravity Toilet	Page 111	VHT 317769212
Page 9	4600 Series VacuFlush	Page 52	4410 All China Gravity Toilet	Page 112	VT 317704501-4502
	4700 Series VacuFlush	Page 53	7120 MasterFlush	Page 113	VT 317704511
	4800 Series VacuFlush	Page 54	7160 MasterFlush	Page 114	VHT 317705200
	4800 VacuFlush with Bidet	Page 55	7220 MasterFlush	Page 115	Vacuum Generator
Page 10	5000 Series VacuFlush	Page 56	7260 MasterFlush	Page 116	Low Profile Vacuum Generator
	CVT-Cassette Vacuum Tank	Page 57	8100 MasterFlush	Page 117	VG4 Vacuum Generator
	VHT-Vacuum Holding	Page 58	8600 Short MasterFlush	Page 118	Vacuum Tank
	VHT 4500	Page 59	8600 Tall MasterFlush	Page 119	SW Vacuum Pump
	SaiilVac 5200	Page 60	8600 Bottom Discharge	Page 120	M Vacuum Pump, Heavy Duty
	Vacuum Generators	Page 61	8600 Bottom Discharge	Page 121	10 GAL. HTS W VG
	Vacuum Tanks	Page 62	8600 MasterFlush w Bidet	Page 122	18 GAL. HTS W VG
	Vacuum Pumps	Page 63	8700 Tall w Flush Switch	Page 123	21 GAL. HTS W VG
Page 11	VacuFlush Holding Tank Systems	Page 64	8700 Tall w Flush Handle	Page 124	27 GAL. HTS W VG
	Standard Holding Tank Systems	Page 65	8700 Tall w Flush Switch New Bottom Discharge		
Page 12	Holding Tanks	Page 66	8700 Tall w Flush Handle New Bottom Discharge		
	Basic Holding Tanks	Page 67	8900 Short MasterFlush	Page 125	28 GAL. + HTS W VG
	Holding Tank System Accessories	Page 68	8900 Tall MasterFlush	Page 126	28 GAL. HTS W VG
	Discharge Pump	Page 69	8900 MasterFlush w Bidet	Page 127	35 GAL. HTS W VG
	SaniSump Pump	Page 70	9300 RushFlush	Page 128	39 GAL. HTS W VG
<b>PAGES 13 - 32</b>		Page 71	9400 RushFlush	Page 129	40 GAL. HTS W VG
<b>REPLACEMENT PARTS PRICE LIST</b>		Page 72	146-47-48-49 EcoVac	Page 130	42 GAL. HTS W VG
Page 13	307230277 - 385310017	Page 73	157-58-59 EcoVac	Page 131	55 GAL. HTS W VG
Page 14	385310018 - 385310258	Page 74	168 EcoVac	Page 132	80 GAL. HTS W VG
Page 15	385310259 - 385310690	Page 75	506+ VacuFlush	Page 133	10 GAL. HTS 322721012-024
Page 16	385310692 - 385310808	Page 76	508+ VacuFlush	Page 134	28 GAL. HTS 322002812
Page 17	385310809 - 385310939	Page 77	509+ VacuFlush	Page 135	40 GAL. HTS 322014012-24
Page 18	385310943 - 385311080	Page 78	547+ VacuFlush	Page 136	HD Tank 322601101-1601-2301-2901-3601
Page 19	385311081 - 385311158	Page 79	548+ VacuFlush	Page 137	Basic HTS 322840122
Page 20	385311159 - 385311260	Page 80	606-47-48 VacuFlush	Page 138	DTM 04 - 08 - 12 Level Indicator
Page 21	385311261 - 385311337	Page 81	706 VacuFlush	Page 139	TW Discharge Pump
Page 22	385311338 - 385311416	Page 82	709 VacuFlush	Page 140	Sanisump
Page 23	385311419 - 385311495	Page 83	748-49 VacuFlush		
Page 24	385311496 - 385311577	Page 84	806 VacuFlush		
Page 25	385311578 - 385311663	Page 85	808-47-48 VacuFlush		
Page 26	385311664 - 385311734	Page 86	1006-8-47-48-49 VacuFlush		
Page 27	385311735 - 385311802	Page 87	1106 VacuFlush		
Page 28	385311803 - 385311876	Page 88	1147-48 VacuFlush		
Page 29	385311877 - 385311975	Page 89	3048 All China VacuFlush		
Page 30	385311976 - 385319059	Page 90	3606 All China VacuFlush		
Page 31	385320005 - 385880080	Page 91	3609 All China VacuFlush		
Page 32	385880081 - 385880085	Page 92	3648 All China VacuFlush		

## Portable Toilets ▼ Dometic

### 960 Toilet Series ★


	Model	Description	Item	Product	Page
	962	TOILET PRTBL 962-PARCH	301096202	958042515	33
		TOILET PRTBL 962-PLAT	301096206	958042516	
	964	TOILET PRTBL 964-PARCHMENT	311096402	958041347	
		TOILET PRTBL 964-PLATINUM	311096406	958041348	
	964 MSD	TOILET PRTBL 964MSD-PARCHMENT	311196402	958041351	
		TOILET PRTBL 964MSD-PLATINUM	311196406	958041352	
	966	TOILET PRTBL 966-PARCH	301096602	958042517	
		TOILET PRTBL 966-PLAT	301096606	958042518	
	965	TOILET PRTBL 965-PARCHMENT	311096502	958041349	
		TOILET PRTBL 965-PLATINUM	311096506	958041350	
	965 MSD	TOILET PRTBL 965MSD-PARCHMENT	311196502	958041353	
		TOILET PRTBL 965MSD-PLATINUM	311196506	958042427	

### 970 Toilet Series ★

	Model	Description	Item	Product	Page
	972	TOILET PRTBL 972 - TAN	301097202	958042373	34
		TOILET PRTBL 972 - GRAY	301097206	958042374	
	974	TOILET PRTBL 974-TAN	301097402	958042272	
		TOILET PRTBL 974-GRAY	301097406	958042273	
	974 MSD	TOILET PRTBL 974MSD-TAN	301197402	958042276	
		TOILET PRTBL 974MSD-GRAY	301197406	958042277	
	976	TOILET PRTBL 976 - TAN	301097602	958042375	
		TOILET PRTBL 976GR 076-3057-8	301097606	958042376	
	975	TOILET PRTBL 975-TAN	301097502	958042274	
		TOILET PRTBL 975-GRAY	301097506	958042275	
	975 MSD	TOILET PRTBL 975MSD-TAN	301197502	958042278	
		TOILET PRTBL 975MSD-GRAY	301197506	958042279	

## Gravity Toilets ▼ SeaLand


### 100 Toilet Series ★

	Model	Description	Item	Product	Page
	110	TRAVELER LITE 110 - WHITE(NP)	302611001	958041176	35
		TRAVELER LITE 110 - BONE(NP)	302611003	958041177	
	111	TRAVELER LITE 111 - WHITE	302611101	958041180	36
		TRAVELER LITE 111 - BONE	302611103	958041181	


### 200 Toilet Series ★

	Model	Description	Item	Product	Page
	210	TRAVELER LITE 210-WHITE	302621001	958041184	37
		TRAVELER LITE 210-BONE	302621003	958041185	


### 300 Toilet Series ★

	Model	Description	Item	Product	Page
	300	300-SS / RT/WHITE	302300071	958043195	38
		300-SS / RT/BONE	302300073	958043196	

### 310 Toilet Series ★


	Model	Description	Item	Product	Page
	310	310-SS / RT/WHITE	302310071	958043061	39
		310-SS / RT/BONE	302310073	958043062	

### 320 Toilet Series ★


	Model	Description	Item	Product	Page
	320	320-WS / RT/WHITE	302320081	958043150	40
		320-WS / RT/BONE	302320083	958043151	

## Gravity Toilets ▼ SeaLand


### 500 Toilet Series ★

	Model	Description	Item	Product	Page
	510H	510H-WS /RT/WHITE	302510481	958043085	41
		510H-WS /RT/BONE	302510483	958043086	
	510+	TRAVELER 510+ - WHITE	302651001	958041195	42
		TRAVELER 510+ - BONE	302651003	958041196	
	510+PS	510+PS-WS /SP/WHITE	302510221	958042852	43
		510+PS-WS /SP/BONE	302510223	958042853	
	511H	TRAVELER 511H - WHITE	302651101	958041203	44
		TRAVELER 511H - BONE	302651103	958041204	


### 700 Toilet Series ★

	Model	Description	Item	Product	Page
	711-M28	TRAVELER M28-711-WHITE	312371101	958042130	45
		TRAVELER M28-711-BONE	312371103	958042468	


### 2000 Toilet Series • (Obsolete)

	Model	Description	Item	Product	Page
	2010	TRAVELER 210 - WHITE	302421001	958041120	46
		TRAVELER 210 - BONE	302421003	958041121	
	2011	TRAVELER 211 - WHITE	302421101	958041125	47
		TRAVELER 211 - BONE	302421103	958041126	

### 3000 Toilet Series • (Obsolete)


	Model	Description	Item	Product	Page
	3110	MAGNUM OPUS 3110 - WHITE	302311011	958041061	48
		MAGNUM OPUS 3110 - BONE	302311013	958041062	
	3210	CONCERTO 3210 - WHITE	302132061	958041030	49
		CONCERTO 3210 - BONE	302132063	958041031	
	3310	CONCERTO 3310 FL - WHITE	302133061	958041038	50
		CONCERTO 3310 FL - BONE	302133063	958041039	

### 43 and 4400 Toilet Series ★

	Model	Description	Item	Product	Page
	4310	4310-GT/12/WS/-/SP/WHT/CHR	302431111	958043019	51
		4310-GT/12/WS/-/SP/BONE/CHR	302431131	958043020	
	4410	4410-GT/12/WS/-/SP/WHT	302441110	958043007	52
		4410-GT/12/WS/-/SP/BONE	302441130	958043008	


## Macerator Toilets ▼ MasterFlush

### 7120 - 7160 Toilet Series ★ 5000 Series Bowl

	Model	Description	Item	Product	Page
	7120	7120-ST /WD/OP/12/- - - /RT/WHT	304712009	958043310	53
		7120-ST /WD/OP/12/- - - /RT/BNE	304712010	958043311	
		7120-ST /WD/OP/24/- - - /RT/WHT	304712011	958043312	
		7120-ST /WD/OP/24/- - - /RT/BNE	304712012	958043313	
	7160	7160-ST /WD/OP/12/- - - /RT/WHT	304716009		54
		7160-ST /WD/OP/12/- - - /RT/BNE	304716010		
		7160-ST /WD/OP/24/- - - /RT/WHT	304716011		
		7160-ST /WD/OP/24/- - - /RT/BNE	304716012		

**Macerator Toilets ▼ MasterFlush**


**7220 - 7260 Toilet Series ★ 100 Series Bowl**

	Model	Description	Item	Product	Page	
	7220		7220-ST /WD/OP/12/- - - /RT/WHT	304722009	958043310	55
			7220-ST /WD/OP/12/- - - /RT/BNE	304722010	958043311	
			7220-ST /WD/OP/24/- - - /RT/WHT	304722011	958043312	
			7220-ST /WD/OP/24/- - - /RT/BNE	304722012	958043313	
7260		7260-ST /WD/OP/12/- - - /RT/WHT	304726009	Coming Soon	56	
		7260-ST /WD/OP/12/- - - /RT/BNE	304726010			
		7260-ST /WD/OP/24/- - - /RT/WHT	304726011			
		7260-ST /WD/OP/24/- - - /RT/BNE	304726012			

**8100 Toilet Series ★**

	Model	Description	Item	Product	Page
	8112	8112-WS/S-/15T-/12/SW/--/SP/WH	304811201	958042913	57
	8116	8116-WS/S-/15T-/24/SW/--/SP/WH	304811601	958042914	
	8152	8152-WS/T-/15T-/12/SW/--/SP/WH	304815201	958042915	
	8156	8156-WS/T-/15T-/24/SW/--/SP/WH	304815601	958042916	


**8600 Toilet Series ★ Flat Back Style (Back Discharge will become Obsolete)**

	Model	Description	Item	Product	Page	
	8639		8639-SC/S-/15TA/12/SW/--/SP/WH	304863901	958043068	58
			8639-SC/S-/15TA/12/SW/--/SP/BN	304863902	958043069	
	8630		8630-SC/S-/15TA/24/SW/--/SP/WH	304863001	958043066	
			8630-SC/S-/15TA/24/SW/--/SP/BN	304863002	958043067	
	8679		8679-SC/T-/15TA/12/SW/--/SP/WH	304867901	958043072	59
			8679-SC/T-/15TA/12/SW/--/SP/BN	304867902	958043073	
	8670		8670-SC/T-/15TA/24/SW/--/SP/WH	304867001	958043070	
			8670-SC/T-/15TA/24/SW/--/SP/BN	304867002	958043071	


**★ New Bottom Discharge**

Model	Description	Item	Product	Page
8640	8640-TT /SP/TF/24/NOP/SP/WHT	304864005		60
	8640-TT /SP/TF/12/TPB/SP/WHT	304864010		61
	8640-TT /SP/TF/12/TPB/SP/BN	304864011		
	8640-TT /SP/TF/24/TPB/SP/WHT	304864012		
	8640-TT /SP/TF/24/TPB/SP/BN	304864013		

**8600 Toilet and Bidet Series • Flat Back Style**

	Model	Description	Item	Product	Page
	8649	8649-SC/SC/15TA/12/SW/--/SP/WH	304864901	958043123	62
	8640	8640-SC/SC/15TA/24/SW/--/SP/WH	304864001	958043121	
	8689	8689-SC/TC/15TA/12/SW/--/SP/WH	304868901	958043119	
	8680	8680-SC/TC/15TA/24/SW/--/SP/WH	304868001	958043117	

**8700 Toilet Series • (Back discharge will become obsolete)**


	Model	Description	Item	Product	Page	
	875901-02		8759-WS/T-/15TA/12/SW/- - /SP/WH	304875901	958042980	63
			8759-WS/T-/15TA/12/SW/- - /SP/BN	304875902	958042972	
	875001-02		8750-WS/T-/15TA/24/SW/- - /SP/WH	304875001	958042979	
			8750-WS/T-/15TA/24/SW/- - /SP/BN	304875002	958042974	
	875971-72		8759-WS/T-/15TA/12/FH/CH/SP/WH	304875971	958042981	64
			8759-WS/T-/15TA/12/FH/CH/SP/BN	304875972	958042971	
	875071-72		8750-WS/T-/15TA/24/FH/CH/SP/WH	304875071	958042986	
			8750-WS/T-/15TA/24/FH/CH /SP/BN	304875072	958042975	

**★ New Bottom Discharge**


Model	Description	Item	Product	Page
8740	8740-TT /WD/TF/12/FHC/SP/WHT	304874002		65
	8740-TT /WD/TF/12/FHC/SP/BN	304874003		
	8740-TT /WD/TF/24/FHC/SP/WHT	304874009		
	8740-TT /WD/TF/24/FHC/SP/BN	304874010		
8743	8743-TT /WD/TF/12/TPB/SP/WHT	304874301		66
	8743-TT /WD/TF/12/TPB/SP/BN	304874303		
	8743-TT /WD/TF/24/TPB/SP/WH	304874302		
	8743-TT /WD/TF/24/TPB/SP/BN	304874304		

**Macerator Toilets ▼ MasterFlush  
Toilets ▼ MasterFlush**

**8900 Toilet Series • Angle Back Style**


	Model	Description	Item	Product	Page
	8939		8939-SC/S-/15TA/12/SW/--/SP/WH	304893901	958042963
		8939-SC/S-/15TA/12/SW/--/SP/BN	304893902	958042965	
8930		8930-SC/S-/15TA/24/SW/--/SP/WH	304893001	958042964	68
		8930-SC/S-/15TA/24/SW/--/SP/BN	304893002	958042966	
8979		8979-SC/T-/15TA/12/SW/--/SP/WH	304897901	958042967	68
		8979-SC/T-/15TA/12/SW/--/SP/BN	304897902	958042969	
8970		8970-SC/T-/15TA/24/SW/--/SP/WH	304897001	958042968	68
		8970-SC/T-/15TA/24/SW/--/SP/BN	304897002	958042970	

**8900 Toilet and Bidet Series • Angle Back Style**

	Model	Description	Item	Product	Page
	8949		8949-SC/SC/15TA/12/SW/--/SP/WH	304894901	958042999
		8940-SC/SC/15TA/24/SW/--/SP/WH	304894001	958043000	
		8989-SC/TC/15TA/12/SW/--/SP/WH	304898901	958043005	
		8980-SC/TC/15TA/24/SW/--/SP/WH	304898001	958043003	


**Toilets ▼ RushFlush**

**93 and 9400 Toilet Series**


	Model	Description	Item	Product	Page
	9300		9300-FH/T-AF/12/WS/SP/WH/CHR	330933111	958043215
		9300-FH/T-AF/12/WS/SP/BN/CHR	330933131	958043218	
9400		9400-FS/T-AF/12/WS/SP/WH/TPC	330943110	958043231	71
		9400-FS/T-AF/12/WS/SP/WH/TPC	330943130	958043232	

**Vacuum Systems ▼ VacuFlush Toilets**

**100 Toilet Series ★ 157, 158 and 168 Models are Obsolete**

	Model	Description	Item	Product	Page
	146		146-TL/TFEV/SPK-WHITE	317014601	958042976
		146-TL/TFEV/SPK-BONE	317014603	958042977	
147		ECOVAC 147 WHT	317014701	958041396	72
		ECOVAC 147 BONE	317014703	958041397	
148		ECOVAC 148 WHT	317014801	958041398	72
		ECOVAC 148 BONE	317014803	958041399	
149		ECOVAC 149-WHITE	317014901	958041400	72
		ECOVAC 149-BONE	317014903	958041401	
157		ECOVAC 157-WHITE	317015701	958042290	73
		ECOVAC 157-BONE	317015703	958042291	
158		ECOVAC 158-WHITE	317015801	958042292	73
		ECOVAC 158-BONE	317015803	958042293	
168		ECOVAC 168-WHITE	317016801	958041402	74

**500 Toilet Series ★**


	Model	Description	Item	Product	Page
	506		VACUFLUSH 506+ WHT	317850601	958041637
		VACUFLUSH 506+ BONE	317850603	958041638	
		VACUFLUSH 506+ PLT	317850606	958041639	
508		VACUFLUSH 506+ EBY	317850608	958041640	76
		VACUFLUSH 508+ WHT	317850801	958041642	
509		VACUFLUSH 508+ BONE	317850803	958041643	77
		VACUFLUSH 509+ WHT	317450901	958041510	
547		VACUFLUSH 509+ BONE	317450903	958041511	78
		VACUFLUSH 547+ WHITE	317854701	958041649	
548		VACUFLUSH 547+ BONE	317854703	958041650	78
		VACUFLUSH 547+ PLT	317854706	958041651	
548		VACUFLUSH 547+ EBY	317854708	958041652	79
		VACUFLUSH 548+ WHT	317854801	958041654	
		VACUFLUSH 548+ BONE	317854803	958041655	
		VACUFLUSH 548+ PLT	317854806	958041656	
		VACUFLUSH 548+ EBY	317854808	958041657	

## Vacuum Systems ▼ VacuFlush Toilets


### 600 Toilet Series ★ Obsolete

	Model	Description	Item	Product	Page
	606	VACUFLUSH 606 - WHITE	317060601	958041405	80
		VACUFLUSH 606 - BONE	317060603	958041406	


### 700 Toilet Series ★

	Model	Description	Item	Product	Page
	706	VACUFLUSH 706 WHT	317470601	958041521	81
		VACUFLUSH 706 BONE	317470603	958041522	
	709	VACUFLUSH 709-WHITE	317470901	958041523	82
		VACUFLUSH 709-BONE	317470903	958041524	
	748	VACUFLUSH 748-WHITE	317074801	958041411	83
		VACUFLUSH 748-BONE ^	317074803	958041412	
749	VACUFLUSH 749 WHT	317074901	958041413		


### 800 Toilet Series ★ Obsolete

	Model	Description	Item	Product	Page
	806	VACUFLUSH 806 WHITE	317480601	958041525	84
		VACUFLUSH 806 BONE	317480601	958041525	
	808	VACUFLUSH 808 WHITE	317480801	958041527	85
		VACUFLUSH 808 BONE	317480803	958041528	
	847	VACUFLUSH 847 WHITE	317484701	958041529	
		VACUFLUSH 847 BONE	317484703	958041530	
	848	VACUFLUSH 848 WHITE	317484801	958041531	
		VACUFLUSH 848 BONE	317484803	958041532	


### 1000 Toilet Series ★ Obsolete

	Model	Description	Item	Product	Page
	1006	VACUFLUSH 1006 WHITE	317100601	958041414	86
		VACUFLUSH 1006 BONE	317100603	958041415	
	1008	VACUFLUSH 1008 WHITE	317100801	958041419	
		VACUFLUSH 1008 BONE	317100803	958041420	
	1048	VACUFLUSH 1048 WHITE	317104801	958041425	
		VACUFLUSH 1048 BONE	317104803	958041426	
	1106	VACUFLUSH 1106 WHITE	317110601	958041431	87
		VACUFLUSH 1106 BONE	317110603	958041432	
	1148	VACUFLUSH 1148 WHITE	317114801	958041435	88
		VACUFLUSH 1148 BONE	317114803	958041436	

### 3000 Toilet Series ★ Magnum Opus★ Obsolete

	Model	Description	Item	Product	Page
	3048	MAGNUM OPUS 3048 WHITE	317234801	958041468	89
		MAGNUM OPUS 3048 BONE	317234803	958041469	


### 3600 Toilet Series ★ Obsolete

	Model	Description	Item	Product	Page
	3606	VACUFLUSH 3606 WHITE	317236061	958042052	90
	3609	VACUFLUSH 3609 WHITE	317236091	958041471	91
	3648	VACUFLUSH 3648 WHITE	317236481	958041473	92




## VacuFlush Toilets


### 4600 Toilet Series ★ Flat Back Style

	Model	Description	Item	Product	Page
	4606	4606-TF/SC/SP/S /--/12/--/WHT	317463131	958043129	93
		4606-TF/SC/SP/S /--/24/--/WHT	317463141	958043131	
		4606-TF/SC/SP/S /--/12/--/BONE	317463133	958043130	
		4606-TF/SC/SP/S /--/24/--/BONE	317463143	958043132	
	4609	4609-TF/SC/SP/T /--/12/--/WHT	317463231	958043133	94
		4609-TF/SC/SP/T /--/24/--/WHT	317463241	958043135	
		4609-TF/SC/SP/T /--/12/--/BONE	317463233	958043134	
		4609-TF/SC/SP/T /--/24/--/BONE	317463243	958043136	
	4648	4648-RO/SC/SP/T /--/12/--/WHT	317466231	958043137	95
		4648-RO/SC/SP/T /--/24/--/WHT	317466241	958043139	
		4648-RO/SC/SP/T /--/12/--/BONE	317466233	958043138	
		4648-RO/SC/SP/T /--/24/--/BONE	317466243	958043140	


### 4700 Toilet Series ★ Concerto Style

	Model	Description	Item	Product	Page
	4709	4709-TF/WS/SP/T /FH/12/CH/WHT	317472251	958043048	96
		4709-TF/WS/SP/T /FH/24/CH/WHT	317472281	958043050	
		4709-TF/WS/SP/T /FH/12/CH/BONE	317472253	958043049	
		4709-TF/WS/SP/T /FH/24/CH/BONE	317472283	958043051	
		4709-TF/WS/SP/T /--/12/--/WHT	317472231	958043043	
		4709-TF/WS/SP/T /--/24/--/WHT	317472241	958043045	
		4709-TF/WS/SP/T /--/12/--/BONE	317472233	958043044	
		4709-TF/WS/SP/T /--/24/--/BONE	317472243	958043046	
	4748	4748-RO/WS/SP/T /FH/12/CH/WHT	317475251	958043056	97
		4748-RO/WS/SP/T /FH/24/CH/WHT	317475281	958043058	
		4748-RO/WS/SP/T /FH/12/CH/BONE	317475253	958043057	
		4748-RO/WS/SP/T /FH/24/CH/BONE	317475283	958043059	
		4748-RO/WS/SP/T /--/12/--/WHT	317475231	958043052	
		4748-RO/WS/SP/T /--/24/--/WHT	317475241	958043054	
4748-RO/WS/SP/T /--/12/--/BONE	317475233	958043053			
4748-RO/WS/SP/T /--/24/--/BONE	317475243	958043055			

### 4800 VacuFlush Toilet Series ★ Angle Back Style


	Model	Description	Item	Product	Page
	4806	VACUFLUSH 4806-12/WHITE	317148061	958042257	98
		VACUFLUSH 4806-24/WHITE	317248061	958042263	
		VACUFLUSH 4806-12/BONE	317148063	958042258	
		VACUFLUSH 4806-24/BONE	317248063	958042264	
	4809	VACUFLUSH 4809-12/WHITE	317148091	958042259	99
		VACUFLUSH 4809-24/WHITE	317248091	958042265	
		VACUFLUSH 4809-12/BONE	317148093	958042260	
		VACUFLUSH 4809-24/BONE	317248093	958042266	
	4848	VACUFLUSH 4848-12/WHITE	317148481	958042261	100
		VACUFLUSH 4848-24/WHITE	317248481	958042267	
		VACUFLUSH 4848-12/BONE	317148483	958042262	
		VACUFLUSH 4848-24/BONE	317248483	958042422	

### 4800 Toilet and Bidet Series ★ Angle Back Style

	Model	Description	Item	Product	Page
	4826	4826-TF/SC/SP/SC/--/12/--/WHT	317483331	958042992	101
		4826-TF/SC/SP/SC/--/24/--/WHT	317483341	958042993	
	4828	4828-RO/SC/SP/TC/--/12/--/WHT	317483431	958042991	102
		4828-RO/SC/SP/TC/--/24/--/WHT	317483441	958043065	
	4829	4829-TF/SC/SP/TC/--/12/--/WHT	317486431	958042994	103
		4829-TF/SC/SP/TC/--/24/--/WHT	317486441	958042995	


## VacuFlush Toilets

### 5000 Toilet Series ★

	Model	Description	Item	Product	Page
	5006	VACUFLUSH 5006-WHITE	317500601	958041534	104
		VACUFLUSH 5006-BONE	317500603	958041535	
	5009	VACUFLUSH 5009-WHITE	317500901	958041536	105
		VACUFLUSH 5009-BONE	317500903	958041537	
	5047	VACUFLUSH 5047-WHITE	317504701	958041540	106
		VACUFLUSH 5047-BONE	317504703	958041541	
	5048	VACUFLUSH 5048-WHITE	317504801	958041542	106
		VACUFLUSH 5048-BONE	317504803	958041543	
	5049	VACUFLUSH 5049-WHITE	317504901	958041544	107
		VACUFLUSH 5049-BONE	317504903	958041545	
	5147	VACUFLUSH 5147-WHITE	317514701	958041548	107
		VACUFLUSH 5147-BONE	317514703	958041549	
	5148	VACUFLUSH 5148-WHITE	317514801	958041550	107
		VACUFLUSH 5148-BONE	317514803	958041551	
5149	VACUFLUSH 5149-WHITE	317514901	958041552	107	
	VACUFLUSH 5149-BONE	317514903	958041553		

## Vacuum Systems ▼ Vacuum Sources


### CVT★ Cassette Vacuum Tank Obsolete

	Model	Description	Item	Product	Page
	CVT2510	CASSETTE VACUUM TANK 2510	326002510	958041879	108
	CVT2520	CASSETTE VACUUM TANK 2520	326002520	958042057	109
	CVT2521	CASSETTE VACUUM TANK 2521	326002521	958042060	

### VHT★ Vacuum Holding Tank

	Model	Description	Item	Product	Page
	VHT12	VHT 12 FULL RELAY	317769012	958041611	110
		VHT 3/4 FULL RELAY	317769212	958041613	111

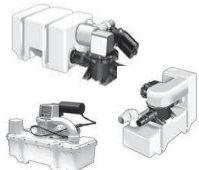
### VHT4500 ★ Vacuum Holding Tank

	Model	Description	Item	Product	Page
	VHT4501	VT4501-STRAIGHT DIS'G	317704501	958042296	112
	VHT4502	VT4502-ELBOW DIS'G	317704502	958042297	
	VHT4511	VT4511-T12/SWIVEL DIS'G	317704511	958042434	113

### SailVac 5200 ★

	Model	Description	Item	Product	Page
	VHT5200	VHT 5200 - 3/4-FULL-RELAY	317705200	958043116	114


### VG Vacuum Generator ★

	Model	Description	Item	Product	Page
	VG	VG12	317759012	958041593	115
		VG24	317759024	958041594	
	VGLP	VGLP12	317770012	958041616	116
		VGLP/W24	317770024	958041617	
	VG4	VG4/JW12-STANDARD	317780012	958042061	117
		VG4/JW24-STANDARD	317780024	958042062	

### Vacuum Tank ★

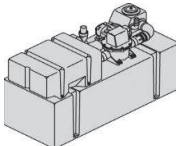
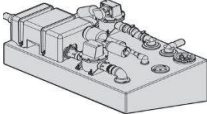
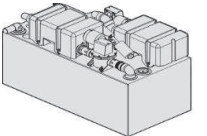

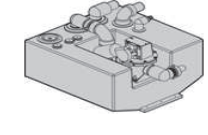
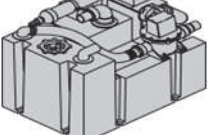





	Model	Description	Item	Product	Page
	VT	ACCUMULATOR TANK	317729100	958041568	118

### Vacuum Pump ★

	Model	Description	Item	Product	Page
	S12	PUMP SW12	317201200	958041458	119
	S24	PUMP SW24	317202400	958041460	
	M115	PUMP M115/230 1/2H 30:1 TEFC60	317511500	958041546	120
	M12	PUMP M12-1/2HP 30:1	317501200	958041538	
	M24	PUMP M24-1/2HP 30:1	317502400	958041539	

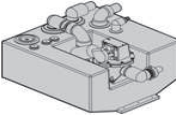
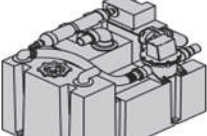

## Vacuum Systems ▼ VacuFlush HTS Series

### Holding Tank Systems, VG Models ★

	Model	Description	Item	Product	Page
	10HTS-VG	HTS 10 LPVG12/DTM04	322711012	958042133	121
		HTS 10-LPVG24/DTM04	322101024	958041741	
	18HTS-VG	HTS 18 VG412/DTM04	322711812	958042180	122
		HTS 18-VG4J24/DTM04	322011824	958041716	
	21HTS-VG	HTS 21-VG4JW12/T12/DTM04	322702112	958042087	123
		HTS 21-VG4J24/T24/DTM04	322702124	958042089	
	27HTS-VG	HTS 27 LPVG12/T12/DTM04	322712712	958042909	124
		HTS 27 LPVG24/T24/DTM04	322712724	958042910	
	28HTS-VG	HTS 28+ VG12/T/DTM04	322712812	958041841	125
		HTS 28+ VG24/T/DTM04	322712824	958041842	
	28HTS-VG HULL	HTS 28 HULL-LPVG12/T/DTM04	322722812	958042058	126
		HTS 28 HULL-LPVG24/T/DTM04	322722824	958042076	
	35HTS-VG	HTS 35-LPVG12/T/DTM04	322713512	958042439	127
		HTS 35/LPVG24/T24/DTM04	322013524	958041723	
	39HTS-VG	HTS 39-VG4JW12/T12/DTM04	322703912	958042469	128
		HTS 39-VG4J24/T/DTM04	322703924	958042470	
	40HTS-VG	HTS 40 VG412/T/DTM04	322714012	958042095	129
		HTS 40 VG4J24/T/DTM04	322714024	958042361	
	42HTS-VG	HTS 42-VG4/T12/DTM04	322714212	958042485	130
		HTS 42-VG4/T24/DTM04	322014224	958041730	
	55HTS-VG	HTS 55-VGLP12/T/DTM04	322715512	958042083	131
		HTS 55-VGLP24/T/DTM04	322715524	958042084	
	80HTS-VG	HTS 80-LPVG12/T/DTM04	322718012	958042479	132
		HTS 80-LPVG24/T/DTM04	322718024	958042480	


## Holding Tank Systems ▼ SeaLand

### Holding Tank Systems, T Models ★

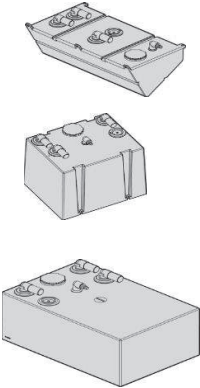
	Model	Description	Item	Product	Page
	10HTS-T	HTS 10 HULL-T12/DTM04	322721012	958041843	133
		HTS 10 HULL-T24/DTM04	322721024	958042085	
	28HTS-T	HTS 28	322002800	958041703	134
		HTS 28 DTM04 PANEL	322012800	958041717	
		HTS 28 T12	322002812	958041704	
		HTS 28 DTM04/T12	322012812	958041718	
		HTS 28-DTM04/T24	322012824	958041719	
	40HTS-T	HTS 40	322004000	958041708	135
		HTS 40 T12	322004012	958041709	
		HTS 40 TW24	322004024	958041710	
		HTS 40-DTM04 PANEL	322014000	958041724	
		HTS 40-DTM04/12VDC	322014012	958041725	
HTS 40-DTM04/24VDC	322014024	958041726			

## Holding Tanks ▼

### Holding Tank Systems, DHT-L Models ★


	Model	Description	Item	Product	Page
	DHT42L	HD TANK-EU 42L/11G W/CAP	322601101	958042659	136
	DHT61L	HD TANK-EU 61L/16G W/CAP	322601601	958042660	
	DHT88L	HD TANK-EU 88L/23G W/CAP	322602301	958042661	
	DHT110L	HD TANK-EU 110L/29G W/CAP	322602901	958042662	
	DHT137L	HD TANK-EU 137L/36G W/CAP	322603601	958042663	

### Holding Tank Systems, Basic Models ★


	Model	Description	Item	Product	Page
	12HTS-VRT	HD TANK 12 VRT-BASIC	322840122	958041846	137
	12HTS-HRZ	HD TANK 12 HRZ-BASIC	322840121	958041845	
	12HTS-HL	HD TANK 12G HULL-BASIC	322800121	958042078	
	15HTS-VRT	HD TANK 15 VRT-BASIC	322840152	958041848	
	15HTS-HRZ	HD TANK 15 HRZ-BASIC	322840151	958041847	
	20HTS-VRT	HD TANK 20 VRT-BASIC	322840202	958041850	
	20HTS-HRZ	HD TANK 20 HRZ-BASIC	322840201	958041849	
	25HTS-HRZ	HD TANK 25 HRZ-BASIC	322800251	958041844	
	28HTS-HL	HD TANK 28 HULL-BASIC	322800281	958042075	
	30HTS-HRZ	HD TANK 30 HRZ-BASIC	322840301	958041851	
	35HTS-HL	HD TANK 35 HULL-BASIC	322800351	958042079	
	40HTS-HRZ	HD TANK 40 HRZ-BASIC	322840401	958041852	
	50HTS-VRT-HL	HD TANK 50 VRT HULL-BASIC	322850501	958042080	
	50HTS-HRZ-HL	HD TANK 50 HRZ HULL-BASIC	322850502	958042081	
	55HTS-HRZ	HD TANK 55 HRZ-BASIC	322840551	958041853	
	80HTS-HRZ	HD TANK 80 HULL-BASIC	322800801	958042099	

## Holding Tank System ▼ Accessories


### Dometic Tank Monitor ★

	Model	Description	Item	Product	Page
	DTM04	DTM04 W/VENT	313604001	958042535	140
		DTM04 W/O VENT	313604002	958042536	
	DTM08	DTM08 WHT W/VENT-OEM	360608011	958042551	
		DTM08 WHT W/O VENT-OEM	360608012	958042552	
	DTM12	DTM12 BLK W/VENTS-OEM	360612001	958042555	
DTM12 BLK W/O VENTS-OEM		360612002	958042556		

### Discharge Pump ★

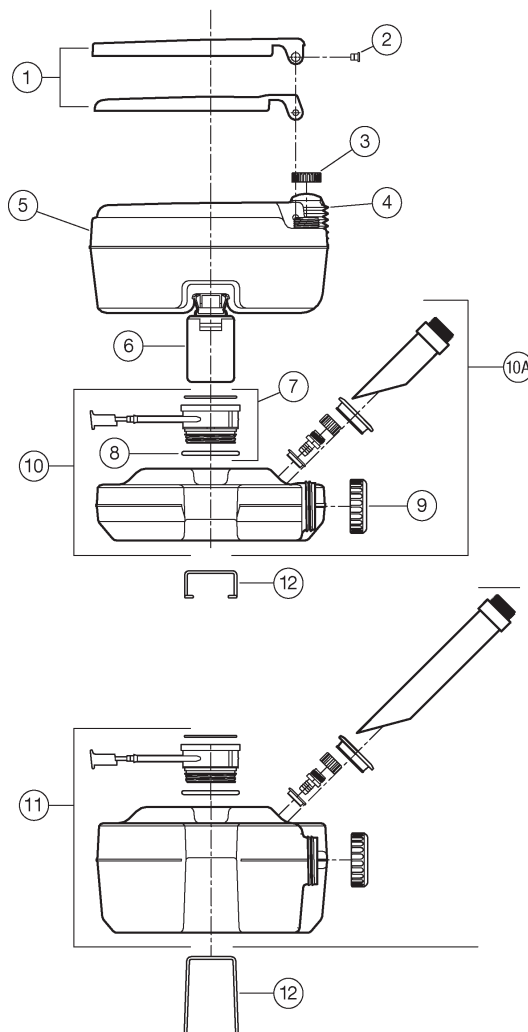
	Model	Description	Item	Product	Page
	T12	PUMP TW12	317301200	958041475	141
	T24	PUMP TW24	317302400	958041476	

### SaniSump Pump ★

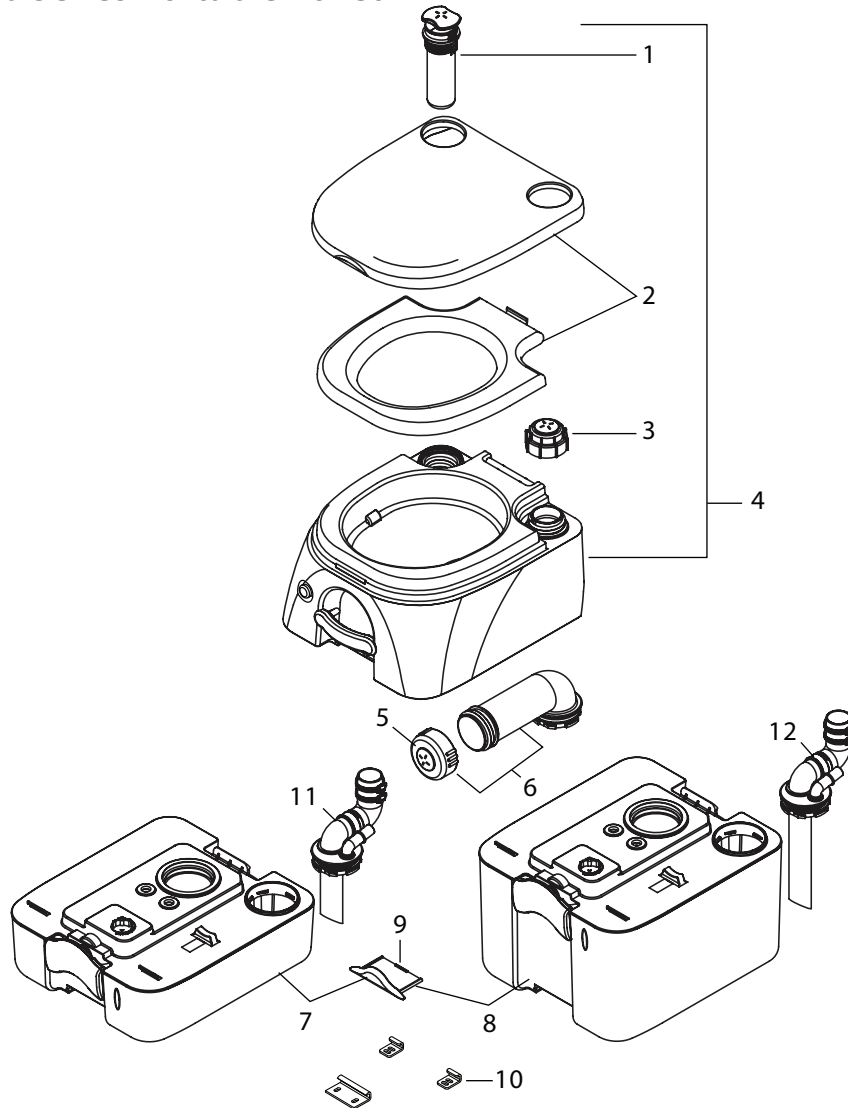
	Model	Description	Item	Product	Page
	SP SS12/24	SANI SUMP-12 1-1/2" IN	314115012		142
		SANI SUMP-24 1-1/2" IN	314115024		

# PARTS LIST - 960 Series Portable Toilet

NO.	USA	DESCRIPTION
1	385311520 385311521	Seat lid and seat – parchment Seat lid and seat – platinum
2	385310900 385310899	Seat hinge pin – white Seat hinge pin – parchment
3	385310102 385310103	Water cap – parchment Water cap – platinum
4	385310104 385310105	Bellows assembly – parchment Bellows assembly – platinum
5	385230374 385230375	2.6-gal. (9.8 l) freshwater tank assembly – parchment (items 1 - 5) 2.6-gal. (9.8 l) freshwater tank assembly – platinum (items 1 - 5)
6	385310066 385310067	Latch assembly – white Latch assembly – parchment
7	385239064	Slide valve assembly – white
8	385346401	Bottom O-ring
9	385310050 385310031	Waste tank cap – parchment Waste tank cap – platinum
10	385311522 385311523	2.5-gal. (9.5 l) wastewater tank assembly – parchment 2.5-gal. (9.5 l) wastewater tank assembly – platinum
10A	385230376 385230377	2.5-gal. (9.5 l) 964MSD tank assembly – parchment 2.5-gal. (9.5 l) 964MSD tank assembly – platinum
11	385311524 385311525	5.0-gal. (18.9 l) wastewater tank assembly – parchment 5.0-gal. (18.9 l) wastewater tank assembly – platinum
11A	385230378 385230379	5.0-gal. (18.9 l) 965MSD tank assembly – parchment 5.0-gal. (18.9 l) 965MSD tank assembly – platinum
12	385310018 385310239	Hold-down brackets – 2.5-gal. waste tank Hold-down brackets – 5.0-gal. waste tank

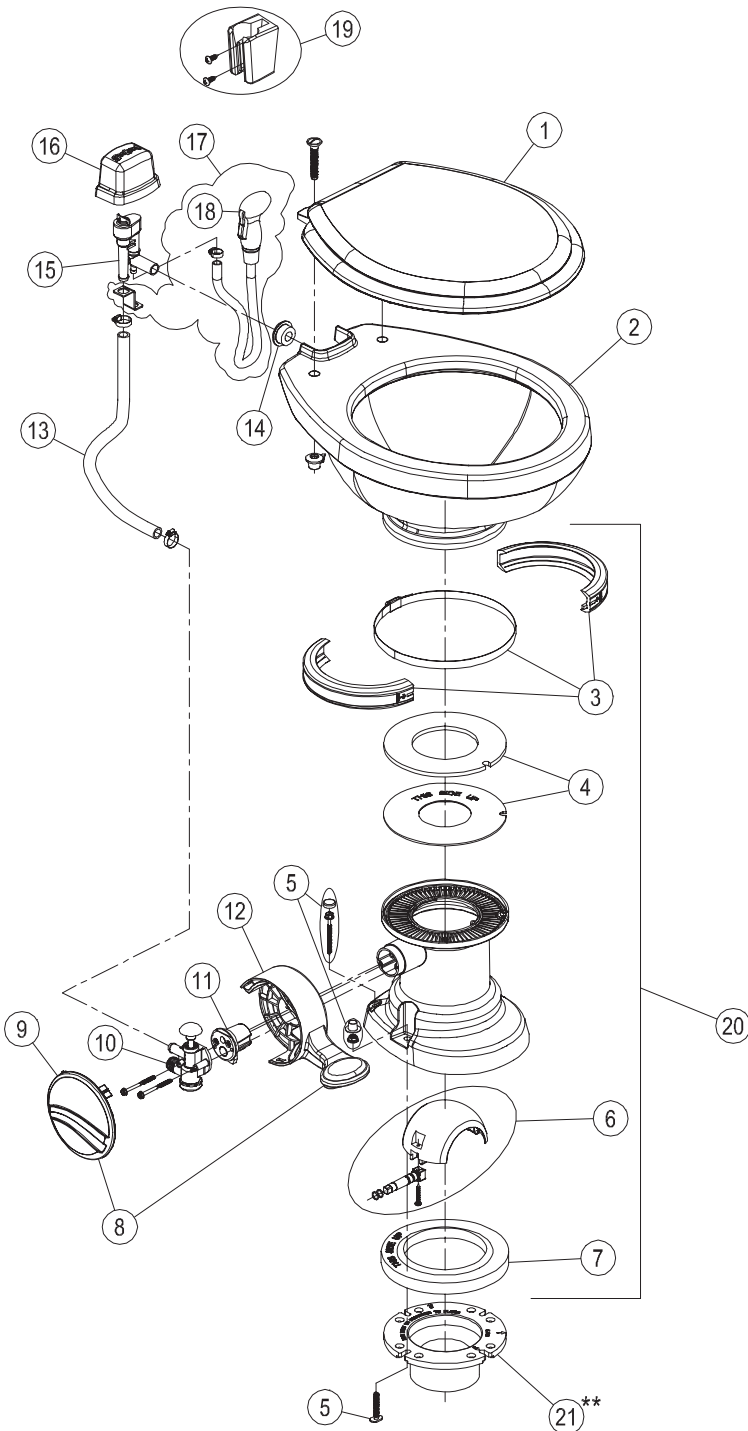


# PARTS LIST - 970 Series Portable Toilet



NO.	PART NUMBER	DESCRIPTION	
1	385311528	Air pump	
2	385311529	Seat cover and seat	
3	385311530	Water cap	
4	385311531	Bowl assembly	
5	385311532	Discharge spout cap	
6	385311533	Discharge spout assembly	972, 974, 975, 976
7	385311534	Holding tank assembly (tan)	2.6 gal./9.8 L - 972, 974, 974MSD
	385311535	Holding tank assembly (gray)	
8	385311536	Holding tank assembly (tan)	5.0 gal./18.9 L - 975, 975MSD, 976
	385311537	Holding tank assembly (gray)	
9	385311538	Locking handle (tan)	972, 974, 974MSD, 975, 975MSD, 976
	385311539	Locking handle (gray)	
10	385311564	Mounting brackets	974, 974MSD, 975, 975MSD
11	385320006	MSD fitting	974MSD
12	385320007	MSD fitting	975MSD

## PARTS LIST: 110 MODEL

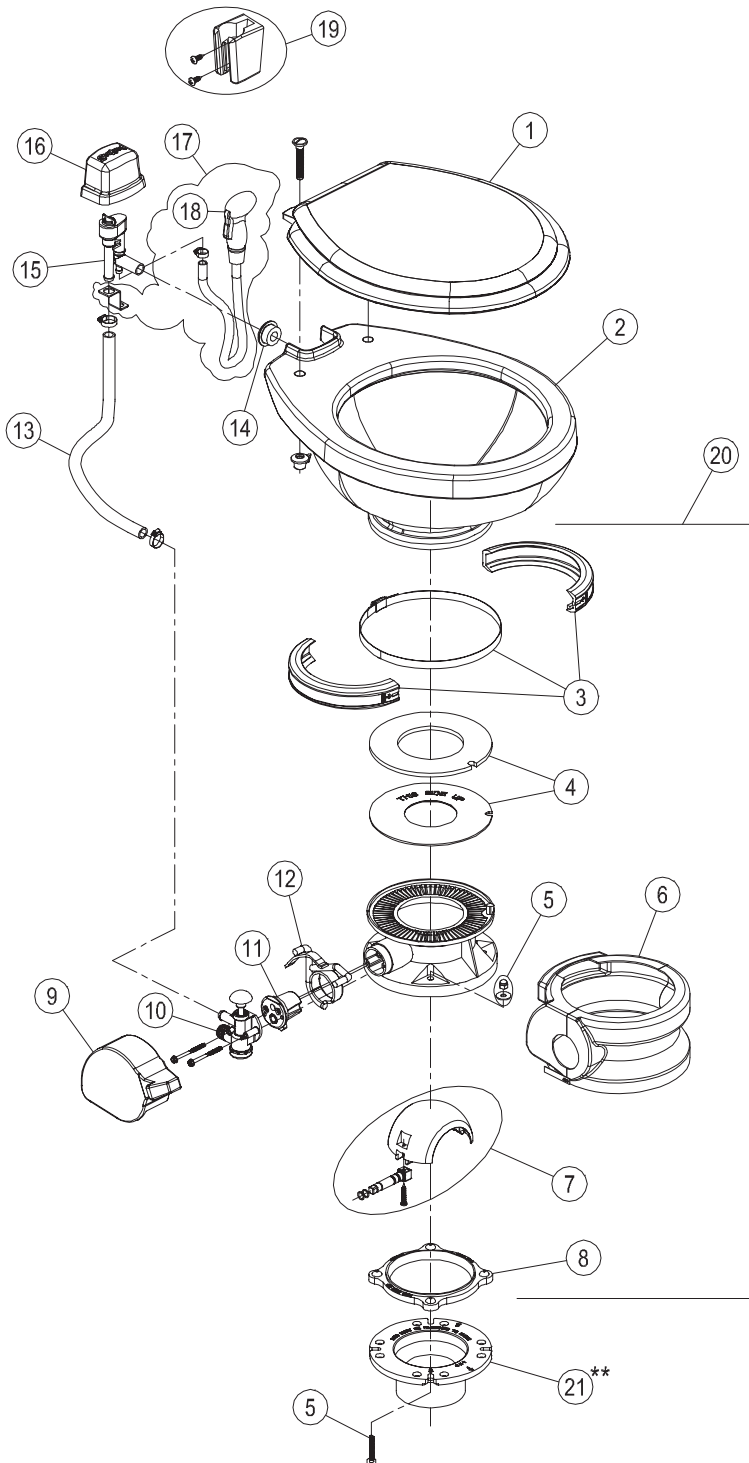


ITEM	PART NUMBER & DESCRIPTION
1	385344088 SEAT/COVER - WHITE
	385344089 SEAT/COVER - BONE
2	385310790 CHINA BOWL KIT - WHITE
	385310791 CHINA BOWL KIT - BONE
3	385310025 BOWL/BASE CLAMP KIT - WHITE
	385310048 BOWL/BASE CLAMP KIT - BONE
4	385311462 FLUSH BALL SEAL REPL KIT
5	385310794 MOUNTING HARDWARE - WHITE
	385310803 MOUNTING HARDWARE - BONE
6	385310681 FLUSH BALL, SHAFT, CARTRIDGE KIT **INCLUDES ITEM 11.
7	385311267 FLOOR FLANGE SEAL
8	385311119 PEDAL & COVER - WHITE
	385311120 PEDAL & COVER - BONE
9	385311179 PEDAL COVER - WHITE
	385311180 PEDAL COVER - BONE
10	385314349 WATER VALVE KIT
11	385310683 SPRING CARTRIDGE KIT
12	385311121 PEDAL/CARTRIDGE KIT - WHITE
	385311122 PEDAL/CARTRIDGE KIT - BONE **INCLUDES ITEM 9 & 11.
13	385340177 BOWL WATER SUPPLY HOSE - WHITE
	385345377 BOWL WATER SUPPLY HOSE - BONE
14	385311164 1/2" SEALING GROMMET
15	385230335 VACUUM BREAKER KIT w/HAND SPRAY
	385316906 VACUUM BREAKER KIT **INCLUDES ITEM 14.
16	385310795 VACUUM BREAKER COVER - WHITE
	385310796 VACUUM BREAKER COVER - BONE
17*	385319054 HAND SPRAY KIT w/VAC BREAKER - WHT **INCLUDES ITEM 14, 15, 18
18*	385311124 HAND SPRAYER - WHITE **INCLUDES ITEM 19.
19*	385230319 HAND SPRAY BRACKET w/SCREW-WHT
20	385310792 110 BASE KIT - WHITE
	385310793 110 BASE KIT - BONE **INCLUDES ITEM 3-12.
21**	385345889 3" MPT FLOOR FLANGE
	385345892 3" SOCKET FLOOR FLANGE
	385343765 3" SPIGOT FLOOR FLANGE
	385310961 45° SWIVEL FLOOR FLANGE* *MUST BE USED WITH SEAL INCLUDED IN KIT.

\* ITEMS 17, 18, & 19 ARE OPTIONAL ACCESSORIES;  
NOT PROVIDED WITH EVERY MODEL.

\*\* ITEM 21 IS SOLD SEPARATELY; NOT INCLUDED WITH THE TOILET.

# PARTS LIST: 111 MODEL



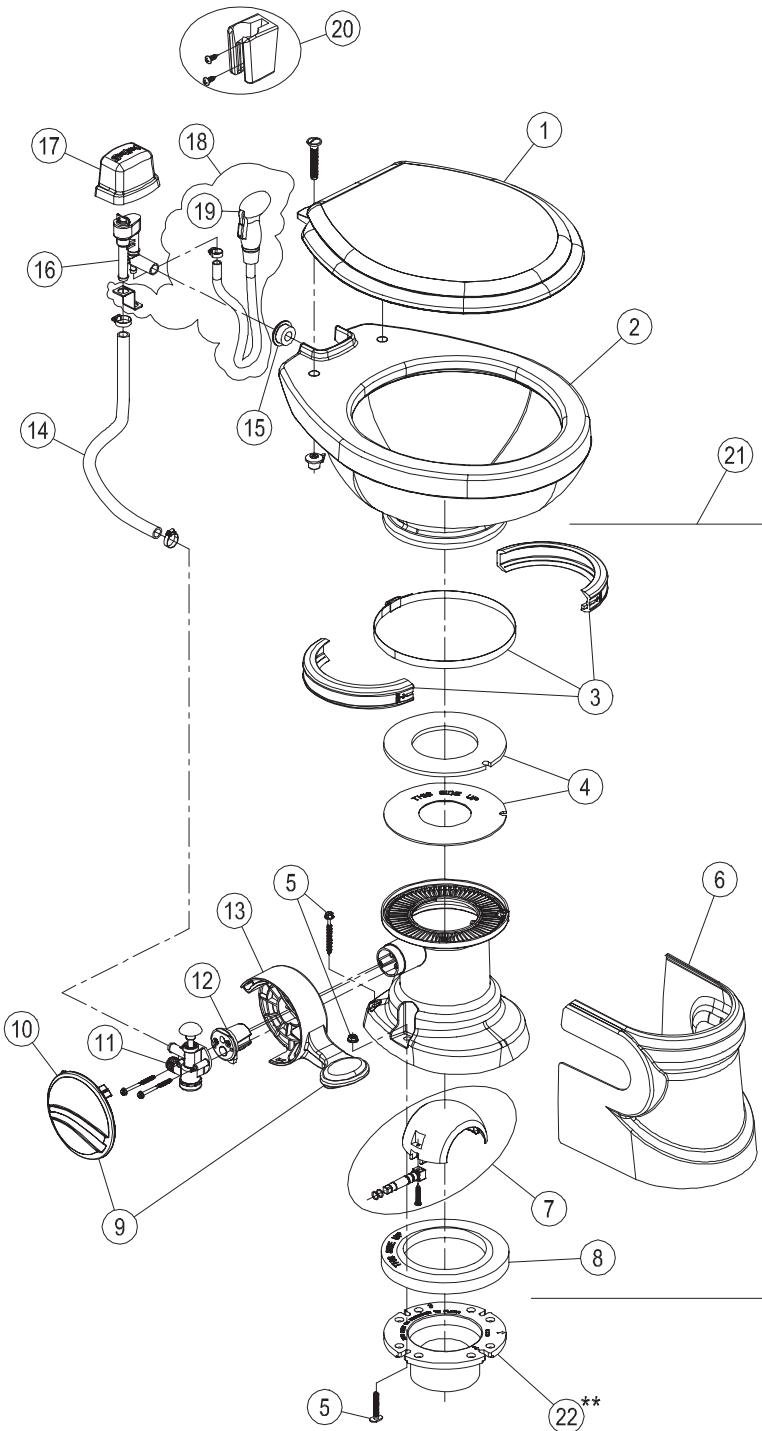
ITEM	PART NUMBER & DESCRIPTION
1	385344088 SEAT/COVER - WHITE 385344089 SEAT/COVER - BONE
2	385310790 CHINA BOWL KIT - WHITE 385310791 CHINA BOWL KIT - BONE
3	385310048 BOWL/BASE CLAMP KIT - BONE
4	385311462 FLUSH BALL SEAL REPL KIT
5	385310064 MOUNTING HARDWARE
6	385310108 PEDESTAL COVER - WHITE 385310109 PEDESTAL COVER - BONE
7	385318162 FLUSH BALL, SHAFT, CARTRIDGE KIT **INCLUDES ITEM 11.
8	385310063 FLOOR FLANGE SEAL
9	385311551 PEDAL COVER - WHITE 385311552 PEDAL COVER - BONE
10	385314349 WATER VALVE KIT
11	385236096 SPRING CARTRIDGE KIT
12	385311553 PEDAL/LEVER & CARTRIDGE KIT **INCLUDES ITEM 11.
13	385340177 BOWL WATER SUPPLY HOSE - WHITE 385345377 BOWL WATER SUPPLY HOSE - BONE
14	385311164 1/2" SEALING GROMMET
15	385230335 VACUUM BREAKER KIT w/HAND SPRAY 385316906 VACUUM BREAKER KIT **INCLUDES ITEM 14.
16	385310795 VACUUM BREAKER COVER - WHITE 385310796 VACUUM BREAKER COVER - BONE
17*	385319054 HAND SPRAY KIT w/VAC BREAKER - WHT **INCLUDES ITEM 14, 15, 18.
18*	385311124 HAND SPRAYER - WHITE **INCLUDES ITEM 19.
19*	385230319 HAND SPRAY BRACKET w/SCREW-WHT
20	385311559 111 BASE KIT - WHITE 385311560 111 BASE KIT - BONE **INCLUDES ITEM 3-12.
21**	385345889 3" MPT FLOOR FLANGE 385345892 3" SOCKET FLOOR FLANGE 385343765 3" SPIGOT FLOOR FLANGE 385310961 45° SWIVEL FLOOR FLANGE* *MUST BE USED WITH SEAL INCLUDED IN KIT.

\* ITEMS 17, 18, & 19 ARE OPTIONAL ACCESSORIES;  
NOT PROVIDED WITH EVERY MODEL.

\*\* ITEM 21 IS SOLD SEPARATELY; NOT INCLUDED WITH THE TOILET.



## PARTS LIST: 210 MODEL



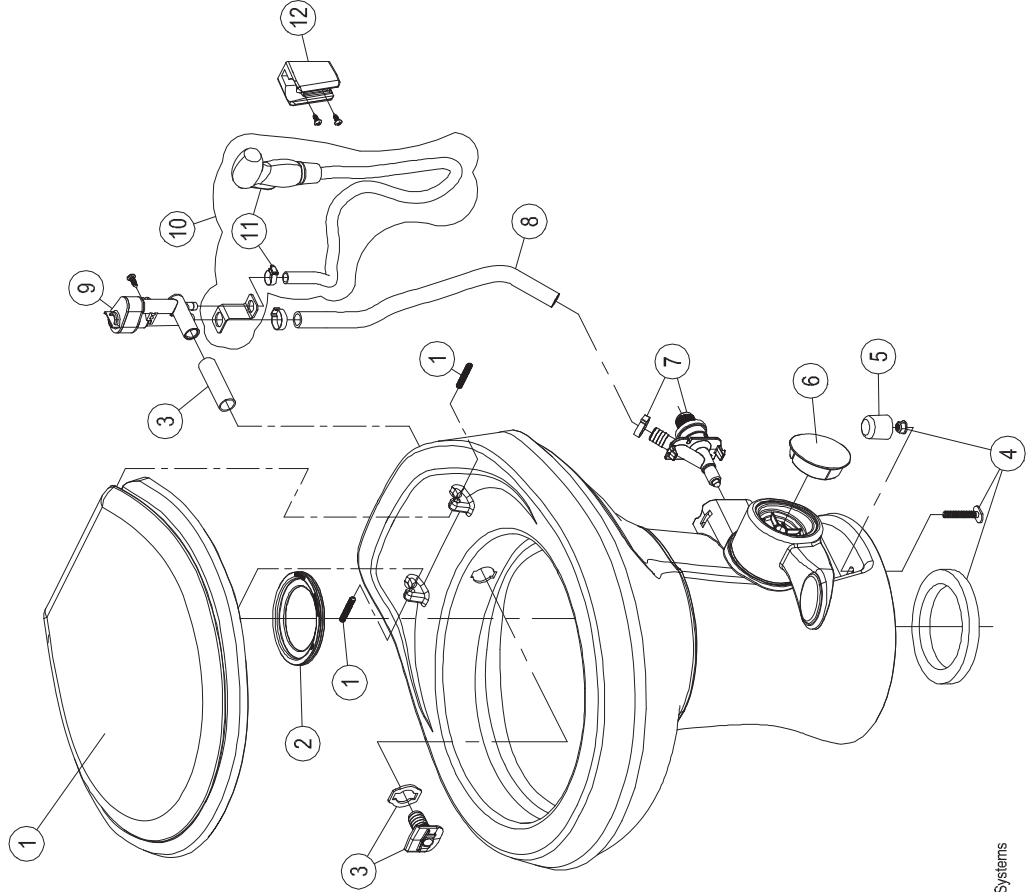
ITEM	PART NUMBER & DESCRIPTION
1	385344088 SEAT/COVER - WHITE 385344089 SEAT/COVER - BONE
2	385310790 CHINA BOWL KIT - WHITE 385310791 CHINA BOWL KIT - BONE
3	385310048 BOWL/BASE CLAMP KIT - BONE
4	385311462 FLUSH BALL SEAL REPL KIT
5	385311117 MOUNTING HARDWARE
6	385311126 BASE SHROUD - WHITE 385311127 BASE SHROUD - BONE
7	385310681 FLUSH BALL, SHAFT, CARTRIDGE KIT **INCLUDES ITEM 12.
8	385311267 FLOOR FLANGE SEAL
9	385311119 PEDAL & COVER - WHITE 385311120 PEDAL & COVER - BONE
10	385311179 PEDAL COVER - WHITE 385311180 PEDAL COVER - BONE
11	385314349 WATER VALVE KIT
12	385310683 SPRING CARTRIDGE KIT
13	385311121 PEDAL/CARTRIDGE KIT - WHITE 385311122 PEDAL/CARTRIDGE KIT - BONE **INCLUDES ITEM 10 & 12.
14	385340177 BOWL WATER SUPPLY HOSE - WHITE 385345377 BOWL WATER SUPPLY HOSE - BONE
15	385311164 1/2" SEALING GROMMET
16	385230335 VACUUM BREAKER KIT w/HAND SPRAY 385316906 VACUUM BREAKER KIT **INCLUDES ITEM 15.
17	385310795 VACUUM BREAKER COVER - WHITE 385310796 VACUUM BREAKER COVER - BONE
18*	385319054 HAND SPRAY KIT w/VAC BREAKER - WHT **INCLUDES ITEM 15, 16, 19.
19*	385311124 HAND SPRAYER - WHITE **INCLUDES ITEM 20.
20*	385230319 HAND SPRAY BRACKET w/SCREW-WHT
21	385311128 210 BASE KIT - WHITE 385311129 210 BASE KIT - BONE **INCLUDES ITEM 3-13.
22**	385345889 3" MPT FLOOR FLANGE 385345892 3" SOCKET FLOOR FLANGE 385343765 3" SPIGOT FLOOR FLANGE 385310961 45° SWIVEL FLOOR FLANGE* *MUST BE USED WITH SEAL INCLUDED IN KIT.

\* ITEMS 18, 19, & 20 ARE OPTIONAL ACCESSORIES;  
NOT PROVIDED WITH EVERY MODEL.

\*\* ITEM 22 IS SOLD SEPARATELY; NOT INCLUDED WITH THE TOILET.

## PARTS LIST: 300 TALL GRAVITY FLUSH TOILET

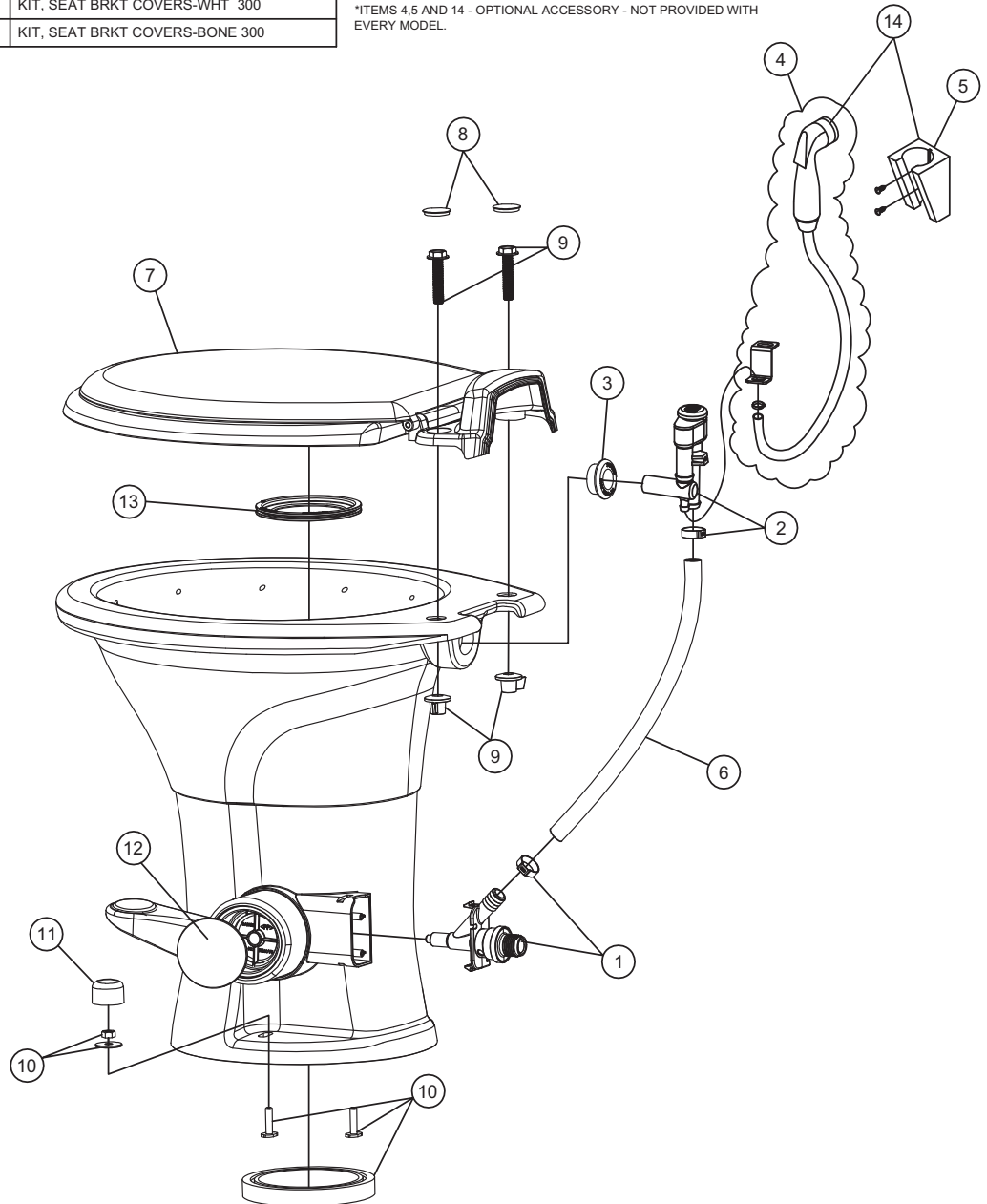
ITEM	PART NUMBER & DESCRIPTION
1	385311930 SEAT/COVER REPLACEMENT - WHITE 385311931 SEAT/COVER REPLACEMENT - BONE **INCLUDES MOUNTING HARDWARE
2	385311658 FLUSH BALL SEAL
3	385311932 BOWL WASH SPRAY NOZZLE KIT - WHT 385311933 BOWL WASH SPRAY NOZZLE KIT - BONE
4	385311652 MOUNTING HARDWARE/SEAL - WHITE 385311653 MOUNTING HARDWARE/SEAL - BONE **INCLUDES ITEM 5
5	385311654 FLOOR BOLT CAP - WHITE 385311655 FLOOR BOLT CAP - BONE
6	385311656 PEDAL COVER - WHITE 385311657 PEDAL COVER - BONE
7	385311641 WATER VALVE KIT
8	385340177 WATER SUPPLY HOSE - WHITE 385345377 WATER SUPPLY HOSE - BONE **INCLUDES CLAMPS
9	385230335 VACUUM BREAKER KIT w/HAND SPRAY 385316906 VACUUM BREAKER KIT
10*	385319054 HAND SPRAY KIT w/VAC BREAKER - WHT **INCLUDES ITEMS 9 & 11
11*	385311124 HAND SPRAYER - WHITE **INCLUDES ITEM 12.
12*	385230319 HAND SPRAY BRACKET w/SCREWS-WHT



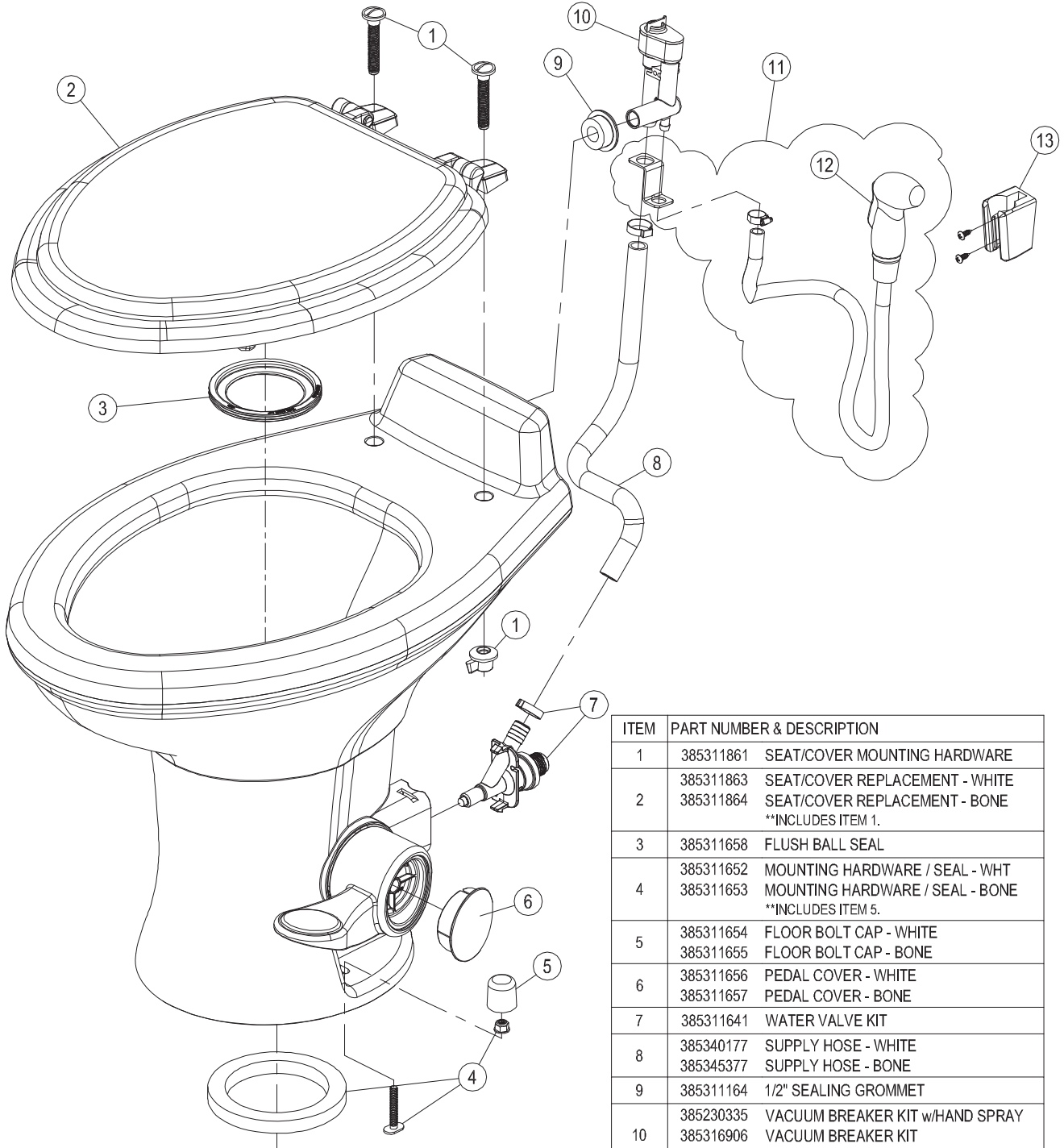
\* ITEMS 10, 11, & 12 ARE OPTIONAL ACCESSORIES;  
NOT PROVIDED WITH EVERY MODEL.

## PARTS LIST: 310 Gravity Flush Toilet

1	385311641	KIT, WATER VALVE	9	385311650	KIT, SEAT MTG HARD-WHT (INC. 8)
2	385230335	KIT, HAND SPRAY VB (INC. 3)	10	385311651	KIT, SEAT MTG HARD-BONE (INC. 8)
	385316906	KIT, VACUUM BREAKER (INC. 3)		385311652	KIT, MTG HARDWARE-WHT (INC. 11)
3	385311164	KIT, SEALING GROMMET 1/2"	11	385311653	KIT, MTG HARDWARE-BONE (INC. 11)
4*	385319054	KIT, VAC BREAK W/SPRAY-WHT (INC.2,3 & 5)		385311654	KIT, MTG HARD CAP-WHT
5*	385230319	KIT, BRACKET-HAND SPRAY	12	385311655	KIT, MTG HARD CAP-BONE
6	385340177	KIT, SUPPLY HOSE-BONE		385311656	KIT, PEDAL CVR CAP-WHT
	385345377	KIT, SUPPLY HOSE-WHITE	385311657	KIT, PEDAL CVR-BONE	
7	385311646	KIT, SEAT/CVR-WHT (INC. 8 & 9)	13	385311658	KIT, FLUSH BALL SEAL
	385311647	KIT SEAT/CVR-BONE (INC. 8 & 9)	14*	385311124	KIT, HAND SPRAY-WHITE (INC. 5)
8	385311648	KIT, SEAT BRKT COVERS-WHT 300	*ITEMS 4,5 AND 14 - OPTIONAL ACCESSORY - NOT PROVIDED WITH EVERY MODEL.		
	385311649	KIT, SEAT BRKT COVERS-BONE 300			

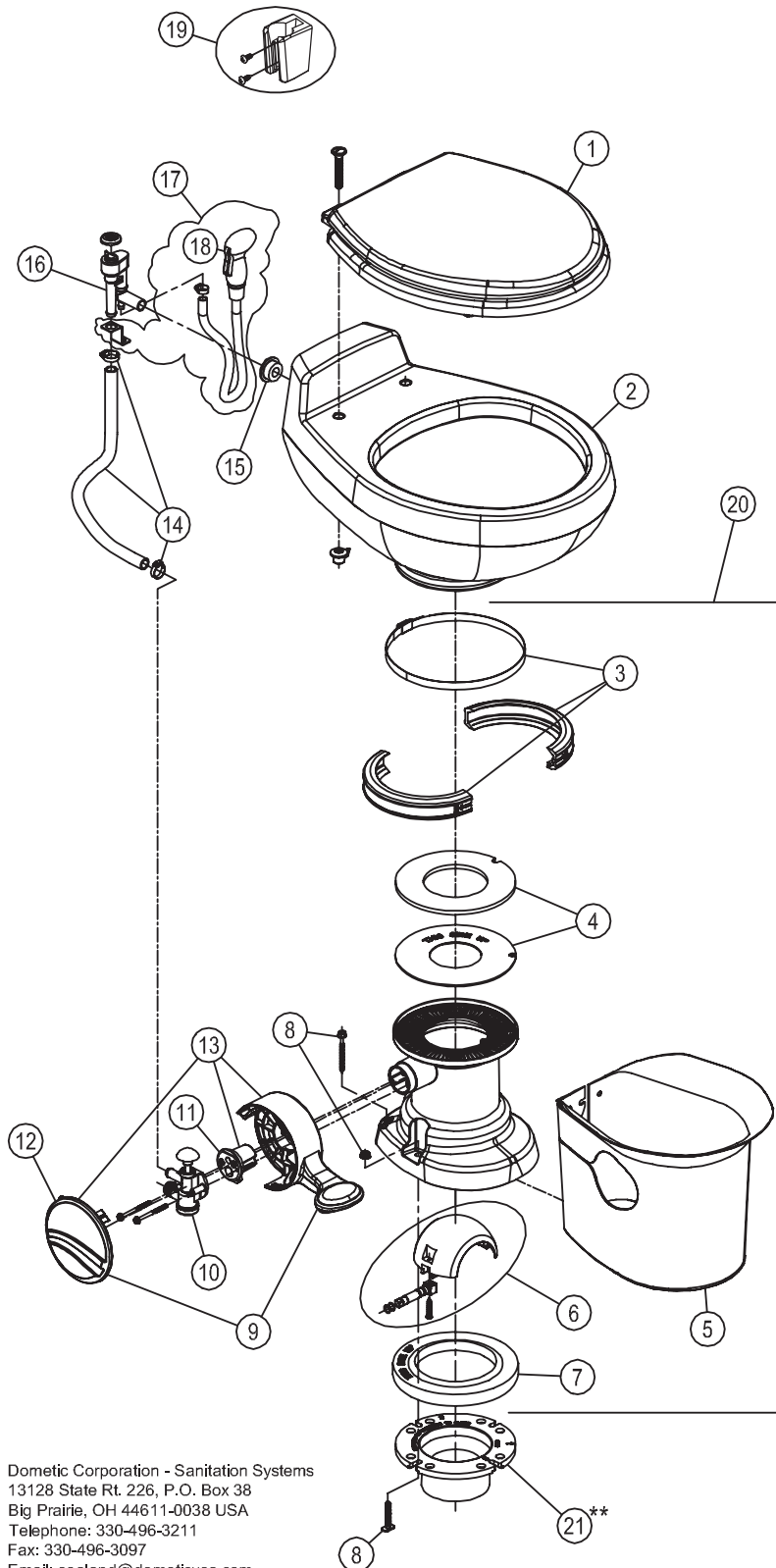


## PARTS LIST: 320 GRAVITY FLUSH TOILET



ITEM	PART NUMBER & DESCRIPTION
1	385311861 SEAT/COVER MOUNTING HARDWARE
2	385311863 SEAT/COVER REPLACEMENT - WHITE 385311864 SEAT/COVER REPLACEMENT - BONE **INCLUDES ITEM 1.
3	385311658 FLUSH BALL SEAL
4	385311652 MOUNTING HARDWARE / SEAL - WHT 385311653 MOUNTING HARDWARE / SEAL - BONE **INCLUDES ITEM 5.
5	385311654 FLOOR BOLT CAP - WHITE 385311655 FLOOR BOLT CAP - BONE
6	385311656 PEDAL COVER - WHITE 385311657 PEDAL COVER - BONE
7	385311641 WATER VALVE KIT
8	385340177 SUPPLY HOSE - WHITE 385345377 SUPPLY HOSE - BONE
9	385311164 1/2" SEALING GROMMET
10	385230335 VACUUM BREAKER KIT w/HAND SPRAY 385316906 VACUUM BREAKER KIT **INCLUDES ITEM 9.
11*	385319054 HAND SPRAY KIT w/VAC BREAKER - WHT **INCLUDES ITEMS 9, 10, 12.
12*	385311124 HAND SPRAYER - WHITE **INCLUDES ITEM 13.
13*	385230319 HAND SPRAY BRACKET w/SCREW-WHT

# PARTS LIST: 510H

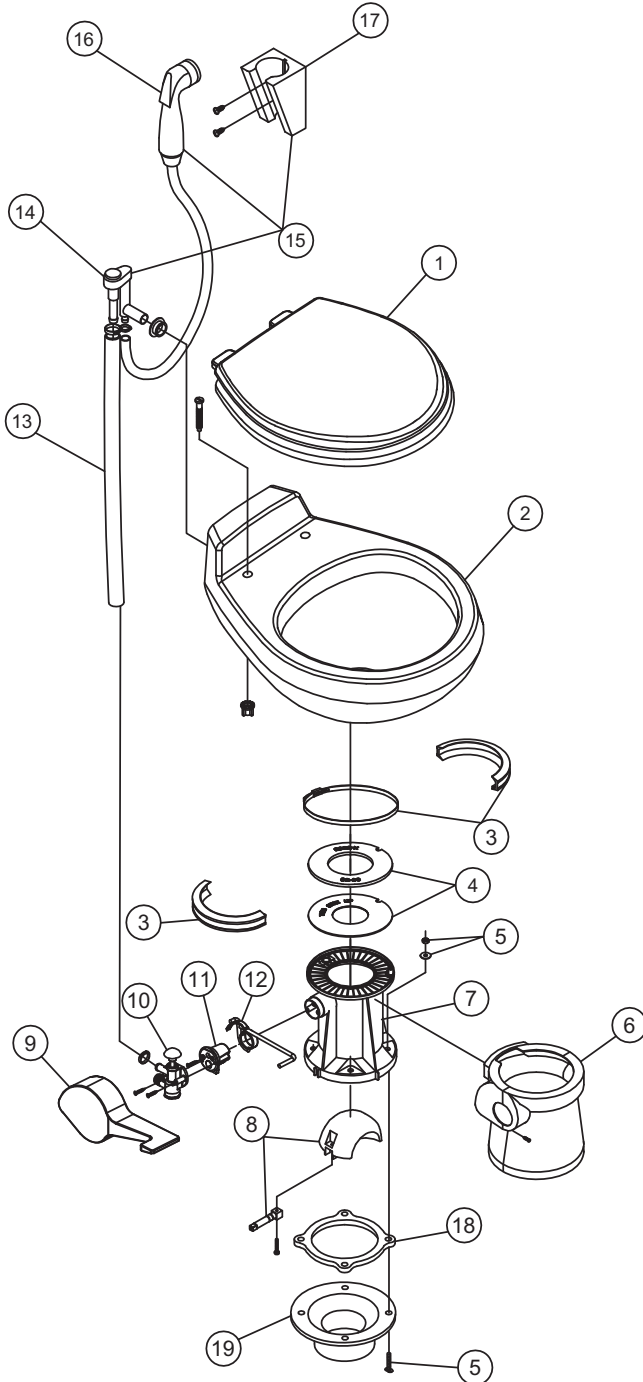


ITEM	PART NUMBER & DESCRIPTION
1	385343829 SEAT/COVER - WHITE
	385343831 SEAT/COVER - BONE
2	385310739 CHINA BOWL KIT - WHITE
	385310740 CHINA BOWL KIT - BONE
3	385310025 BOWL/BASE CLAMP KIT - WHITE
	385310048 BOWL/BASE CLAMP KIT - BONE
4	385311462 FLUSH BALL SEAL REPL KIT
5	385311540 BASE SHROUD 500H - WHITE
	385311541 BASE SHROUD 500H - BONE
6	385310681 FLUSH BALL, SHAFT, CARTRIDGE KIT **INCLUDES ITEM 11
7	385311267 FLOOR FLANGE SEAL
8	385311117 MOUNTING HARDWARE
9	385311119 PEDAL & COVER - WHITE
	385311120 PEDAL & COVER - BONE
10	385314349 WATER VALVE KIT
11	385310683 SPRING CARTRIDGE KIT
12	385311179 PEDAL COVER - WHITE
	385311180 PEDAL COVER - BONE
13	385311121 PEDAL/CARTRIDGE KIT - WHITE
	385311122 PEDAL/CARTRIDGE KIT - BONE **INCLUDES ITEM 11 & 12
14	385340177 BOWL WATER SUPPLY HOSE - WHITE
	385345377 BOWL WATER SUPPLY HOSE - BONE
15	385311164 1/2" SEALING GROMMET
16	385230335 VACUUM BREAKER KIT w/HAND SPRAY
	385316906 VACUUM BREAKER KIT **INCLUDES ITEM 15
17*	385319056 HAND SPRAY KIT w/VAC BREAKER - CHR **INCLUDES ITEM 15, 16, 19
18*	385310809 HAND SPRAYER - CHROME **INCLUDES ITEM 19
19*	385311131 HAND SPRAY BRKT w/SCREW CHROME
20	385311128 500H BASE KIT - WHITE
	385311129 500H BASE KIT - BONE **INCLUDES ITEM 3-13
21**	385345889 3" MPT FLOOR FLANGE
	385345892 3" SOCKET FLOOR FLANGE
	385343765 3" SPIGOT FLOOR FLANGE
	385310961 45° SWIVEL FLOOR FLANGE* *MUST BE USED WITH SEAL INCLUDED IN KIT.

\* ITEMS 17, 18, & 19 ARE OPTIONAL ACCESSORIES;  
NOT PROVIDED WITH EVERY MODEL.

\*\* ITEM 21 IS SOLD SEPARATELY; NOT INCLUDED WITH THE TOILET.

# PARTS LIST: 510+



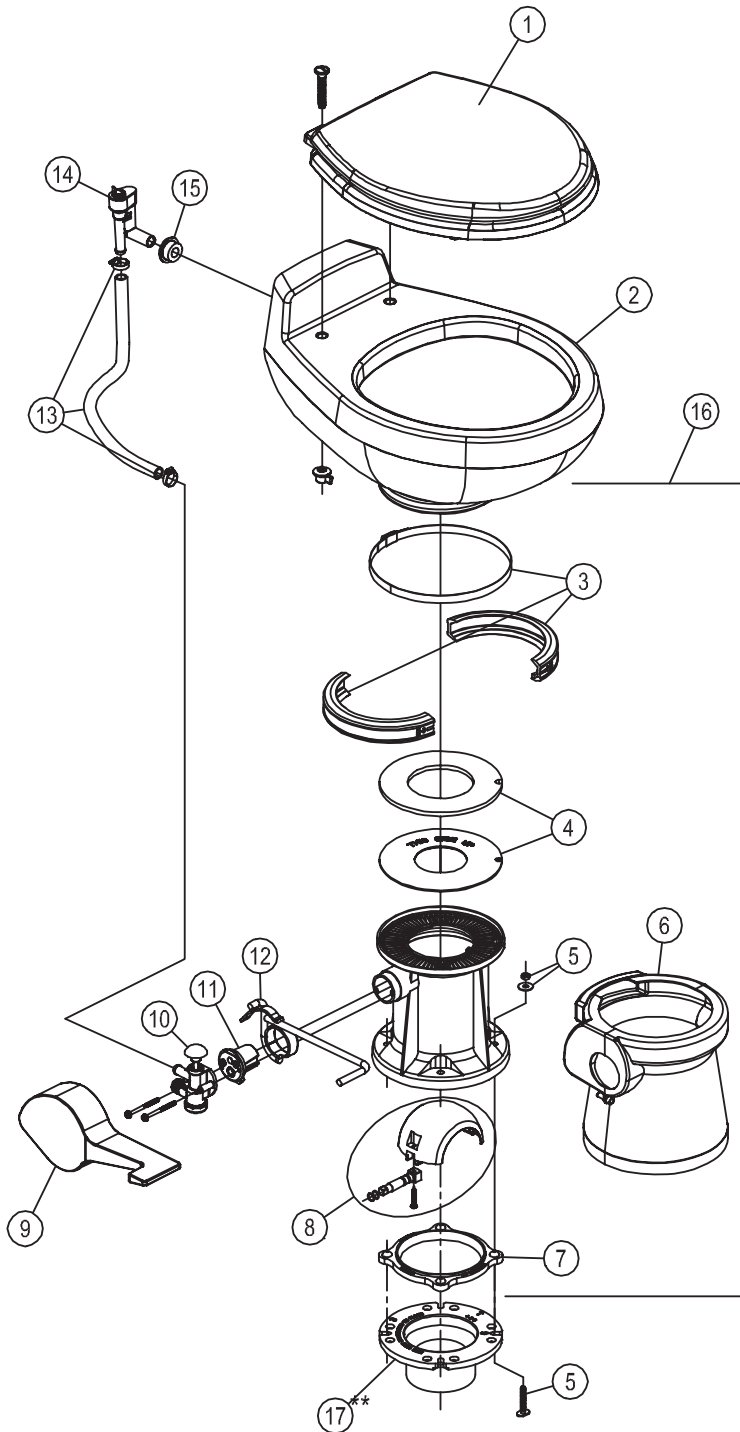
ITEM	PART NO.	DESCRIPTION
1	385343829	SEAT ASSEMBLY, WHITE
	385343831	SEAT ASSEMBLY, BONE
	385343897	SEAT ASSEMBLY, PLATINUM
	385343901	SEAT ASSEMBLY, EBONY
	385343899	SEAT ASSEMBLY, TEAL
2	385310739	CHINA BOWL KIT, WHITE
	385310740	CHINA BOWL KIT, BONE
	385310741	CHINA BOWL KIT, PLATINUM
	385310742	CHINA BOWL KIT, EBONY
	385310743	CHINA BOWL KIT, TEAL
3	385310025	BAND AND HALF CLAMP, KIT WHITE
	385310048	BAND AND HALF CLAMP, KIT BONE
4	385311462	SEAL REPLACEMENT , KIT
5	385310064	MOUNTING HARDWARE
6	385310111	PEDESTAL COVER KIT , WHITE
	385310112	PEDESTAL COVER KIT , BONE
	385310113	PEDESTAL COVER KIT , PLATINUM
	385310173	PEDESTAL COVER KIT , EBONY
	385310203	PEDESTAL COVER KIT , TEAL
7	385310120	BASE KIT, WHITE (inc items 3-12)
	385310121	BASE KIT, BONE (inc items 3-12)
	385310122	BASE KIT, PLATINUM (inc items 3-12)
	385310169	BASE KIT, EBONY (inc items 3-12)
	385310198	BASE KIT, TEAL (inc items 3-12)
8	385318162	KIT,BALL,SHAFT & CART, WHITE(inc. item 11)
	385310177	KIT,BALL,SHAFT & CART, EBONY(inc. item 11)
	385310188	KIT,BALL,SHAFT & CART, TEAL(inc. item 11)
9	385310114	PEDAL COVER, WHITE
	385310115	PEDAL COVER, BONE
	385310116	PEDAL COVER, PLATINUM
	385310175	PEDAL COVER, EBONY
	385310193	PEDAL COVER, TEAL
10	385314349	WATER VALVE, KIT
11	385236096	SPRING CARTRIDGE, KIT
12	385310578	PEDAL, CARTRIDGE, KIT (inc. item 11)
13	385340177	HOSE, SUPPLY - BONE, EBONY, PLAT ,TEAL
	385345377	HOSE, SUPPLY - WHITE
14	385316906	VACUUM BREAKER, KIT - WITHOUT SPRAY
	385230335	VACUUM BREAKER, KIT - WITH SPRAY
15	385319054	VACUUM BREAKER, COMPLETE - WHITE
	385319056	VACUUM BREAKER, COMPLETE - CHROME
	385319057	VACUUM BREAKER, COMPLETE - EBONY
16	385310809	HAND SPRAY, CHROME
	385310873	HAND SPRAY, EBONY
17	385311131	BRACKET,HAND SPRAY-CHROME
	385311125	BRACKET,HAND SPRAY-EBONY
19	385310063	FLOOR FLANGE, KIT (inc item 5)
	385345889	FLOOR FLANGE, 3" MPT
	385345892	FLOOR FLANGE, 3" SOCKET
	385343765	FLOOR FLANGE, 3" SPIGOT
	385310961	FLOOR FLANGE ADAPTER, 45° SWIVEL (MUST BE USED WITH SEAL INC.)

(ITEM 19 SOLD SEPARATELY)



Dometic Corporation - Sanitation Systems  
13128 State Rt. 226, P.O. Box 38  
Big Prairie, OH 44611-0038 USA  
Telephone: 330-496-3211  
Fax: 330-496-3097  
Email: sealand@dometicus.com

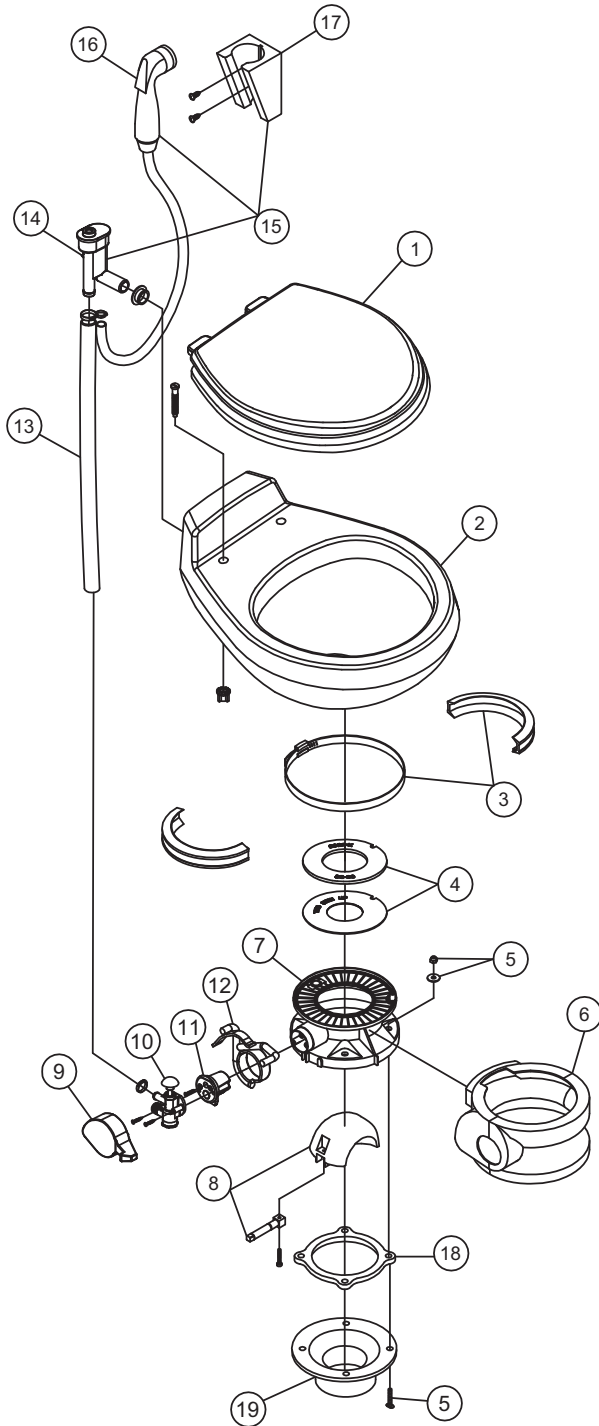
## PARTS LIST: 510 PS MODEL SERIES



ITEM	PART NUMBER & DESCRIPTION
1	385343829 SEAT/COVER - WHITE
	385343831 SEAT/COVER - BONE
	385343897 SEAT/COVER - PLATINUM
	385343901 SEAT/COVER - EBONY
2	385310739 CHINA BOWL - WHITE
	385310740 CHINA BOWL - BONE
	385310741 CHINA BOWL - PLATINUM
	385310742 CHINA BOWL - EBONY
3	385310048 BOWL/BASE CLAMP KIT
4	385311462 FLUSH BALL SEAL REPL KIT
5	385310064 MOUNTING HARDWARE
6	385310111 PEDESTAL COVER - WHITE
	385310112 PEDESTAL COVER - BONE
	385310113 PEDESTAL COVER - PLATINUM
	385310173 PEDESTAL COVER - EBONY
7	385310063 FLOOR FLANGE SEAL **INCLUDES ITEM 5.
8	385318162 FLUSH BALL, SHAFT, CARTRIDGE KIT-WHT
	385310177 FLUSH BALL, SHAFT, CARTRIDGE KIT-EBY **INCLUDES ITEM 11.
9	385310114 PEDAL COVER - WHITE
	385310115 PEDAL COVER - BONE
	385310116 PEDAL COVER - PLATINUM
	385310175 PEDAL COVER - EBONY
10	385314349 WATER VALVE KIT
11	385236096 SPRING CARTRIDGE KIT
12	385310578 PEDAL/LEVER & CARTRIDGE KIT **INCLUDES ITEM 11.
13	385340177 BOWL WATER SUPPLY HOSE - WHITE
	385345377 BOWL WATER SUPPLY HOSE - BONE
14	385316906 VACUUM BREAKER KIT **INCLUDES ITEM 15.
15	385311164 1/2" SEALING GROMMET KIT
16	385310120 '10 BASE KIT - WHITE
	385310121 '10 BASE KIT - BONE
	385310122 '10 BASE KIT - PLATINUM
	385310169 '10 BASE KIT - EBONY **INCLUDES ITEMS 3-12.
17**	385345889 3" MPT FLOOR FLANGE
	385345892 3" SOCKET FLOOR FLANGE
	385343765 3" SPIGOT FLOOR FLANGE
	385310961 45° SWIVEL FLOOR FLANGE* *MUST BE USED WITH SEAL INCLUDED IN KIT.

\*\* ITEM 17 IS SOLD SEPARATELY; NOT INCLUDED WITH THE TOILET.

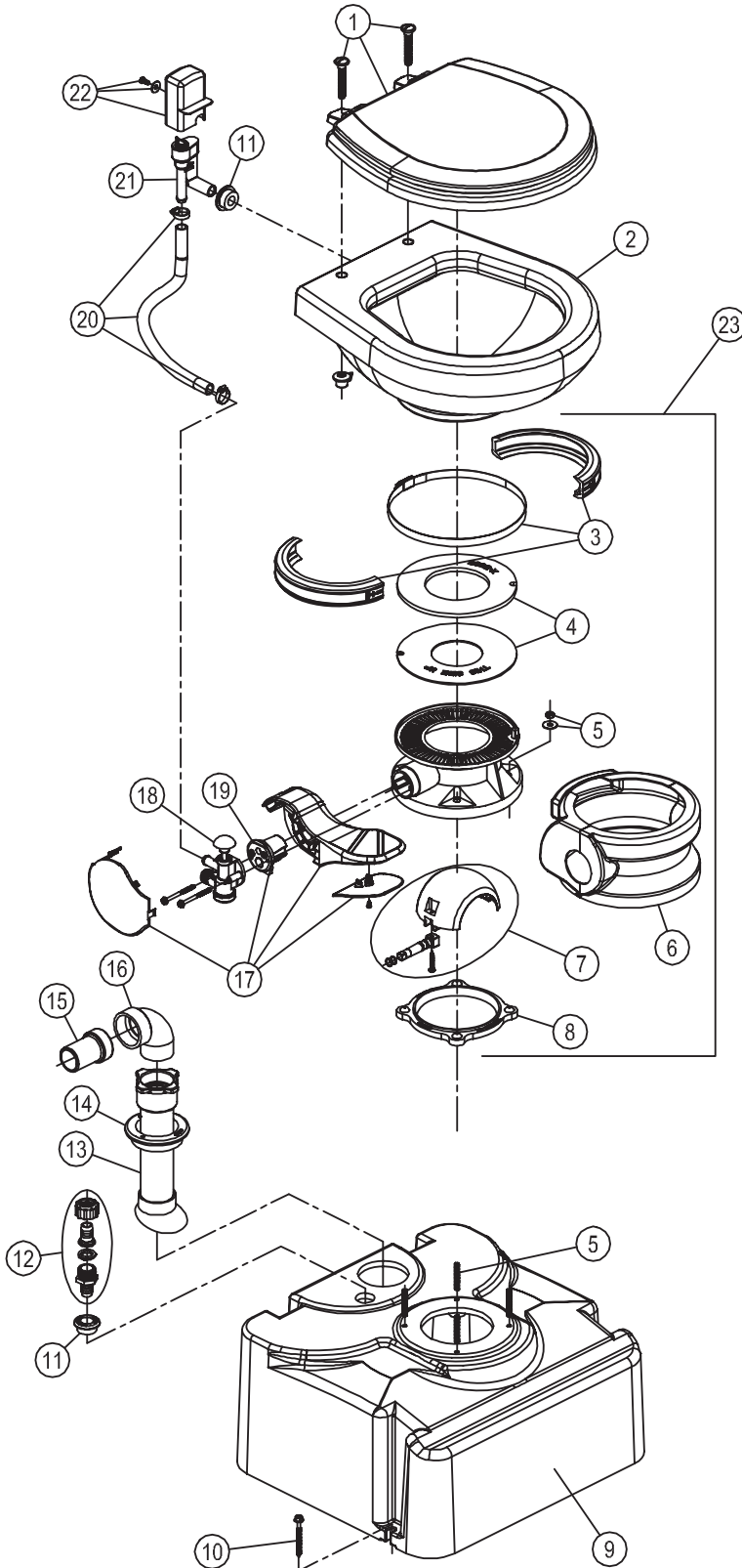
# PARTS LIST: 511 H



ITEM	PART NO.	DESCRIPTION
1	385343829	SEAT ASSEMBLY, WHITE
	385343831	SEAT ASSEMBLY, BONE
	385343897	SEAT ASSEMBLY, PLATINUM
	385343901	SEAT ASSEMBLY, EBONY
2	385310739	CHINA BOWL KIT, WHITE
	385310740	CHINA BOWL KIT, BONE
	385310741	CHINA BOWL KIT, PLATINUM
	385310742	CHINA BOWL KIT, EBONY
3	385310048	BAND AND HALF CLAMP, KIT
4	385311462	SEAL REPLACEMENT , KIT
5	385310064	MOUNTING HARDWARE
6	385310108	PEDESTAL COVER KIT , WHITE
	385310109	PEDESTAL COVER KIT , BONE
	385310110	PEDESTAL COVER KIT , PLATINUM
	385310600	PEDESTAL COVER KIT , EBONY
7	385311559	KIT, BASE SH'T GRAV S.PED-WHT (INC 3-12)
	385311560	KIT, BASE SH'T GRAV S.PED-BON (INC 3-12)
	385311561	KIT, BASE SH'T GRAV S.PED-PLT (INC 3-12)
	385311562	KIT, BASE SH'T GRAV S.PED-EBY (INC 3-12)
8	385318162	KIT,BALL,SHAFT & CART, WHITE (INC 11)
	385310177	KIT,BALL,SHAFT & CART, EBONY (INC 11)
9	385311551	KIT, SHORT PAD/PEDAL COVER-WHT
	385311552	KIT, SHORT PAD/PEDAL COVER-BNE
	385311554	KIT, SHORT PAD/PEDAL/CART-PLAT
	385311555	KIT, SHORT PAD/PEDAL/CART-EBY
10	385314349	WATER VALVE, KIT
11	385236096	KIT, SPRING CARTRIDGE
12	385311553	KIT, SHORT PAD LEVER/CART (INC 11)
13	385340177	HOSE, SUPPLY - BONE, EBONY, PLAT
	385345377	HOSE, SUPPLY - WHITE
14	385316906	VACUUM BREAKER, KIT - WITHOUT SPRAY
	385230335	KIT, HAND SPRAY VB
15	385319056	KIT, VAC BREAKER W/SPRAY-CHR
	385319054	KIT, VAC BREAK W/SPRAY-WHITE
	385319057	KIT, VAC BREAKER W/SPRAY-EBONY
16	385310809	KIT, HAND SPRAY-CHROME
	385310873	KIT, SPRAY-EBONY
	385311124	KIT, HAND SPRAY-WHITE
17	385311131	BRACKET,HAND SPRAY-CHROME
	385311125	BRACKET,HAND SPRAY-EBONY
	385230319	KIT, BRACKET-HAND SPRAYYY
18	385310063	FLOOR FLANGE, KIT (INC 5)
(ITEM 19 SOLD SEPARATELY)		
19	385345889	FLOOR FLANGE, 3" MPT
	385345892	FLOOR FLANGE, 3" SOCKET
	385343765	FLOOR FLANGE, 3" SPIGOT
	385310961	FLOOR FLANGE ADAPTER, 45° SWIVEL (MUST BE USED WITH SEAL INC.)

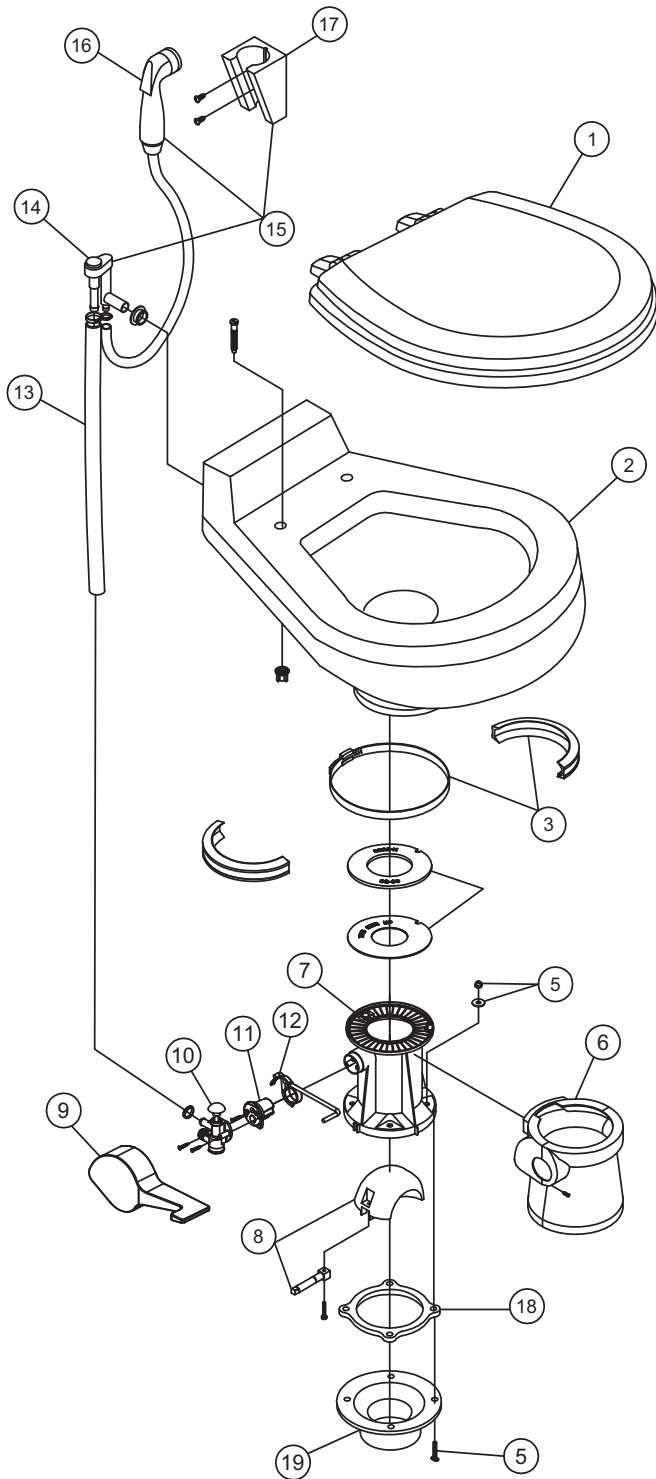


## PARTS LIST: 711-M28 / 312371101 & 312371103



ITEM	PART NUMBER & DESCRIPTION
1	385344436 SEAT/COVER - WHITE
	385344437 SEAT/COVER - BONE
2	385310676 CHINA BOWL KIT - WHITE
	385310781 CHINA BOWL KIT - BONE
3	385310048 BOWL/BASE CLAMP KIT
4	385311462 FLUSH BALL SEAL REPLACEMENT KIT
5	385310534 BASE MOUNTING HARDWARE KIT
6	385310108 PEDESTAL COVER KIT - WHITE
	385310109 PEDESTAL COVER KIT - BONE
7	385310681 FLUSH BALL, SHAFT, CARTRIDGE KIT **INCLUDES ITEM 19.
8	385310063 FLOOR/BASE SEAL
9	385311287 M28 TANK - WHITE
	385310085 M28 TANK - BONE **INCLUDES ITEMS 8; 10-16
10	385310533 M28 TANK MOUNTING HARDWARE
11	385311164 1/2" SEALING GROMMET
12	385314362 M28 TANK VENT FITTING **INCLUDES ITEM 11.
13	385310532 M28 TANK DISCHARGE TUBE ASSEMBLY **INCLUDES ITEM 14.
14	385311110 2" SEALING GROMMET
15	385341513 1-1/2" HOSE ADAPTER FITTING
16	385311886 1-1/2" QUARTER BEND STREET ELBOW
17	385310682 PEDAL/CARTRIDGE KIT - WHITE
	385310762 PEDAL/CARTRIDGE KIT - BONE **INCLUDES ITEM 19.
18	385314349 WATER VALVE KIT
19	385310683 SPRING CARTRIDGE KIT
20	385345377 BOWL WATER SUPPLY HOSE - WHITE
	385340177 BOWL WATER SUPPLY HOSE - BONE
21	385316906 VACUUM BREAKER KIT **INCLUDES ITEM 11.
22	385310696 VACUUM BREAKER COVER - WHITE
	385310782 VACUUM BREAKER COVER - BONE
23	385311286 711 BASE KIT - WHITE
	385310891 711 BASE KIT - BONE **INCLUDES ITEM 3-8 & 17-19.

# PARTS LIST: 2010



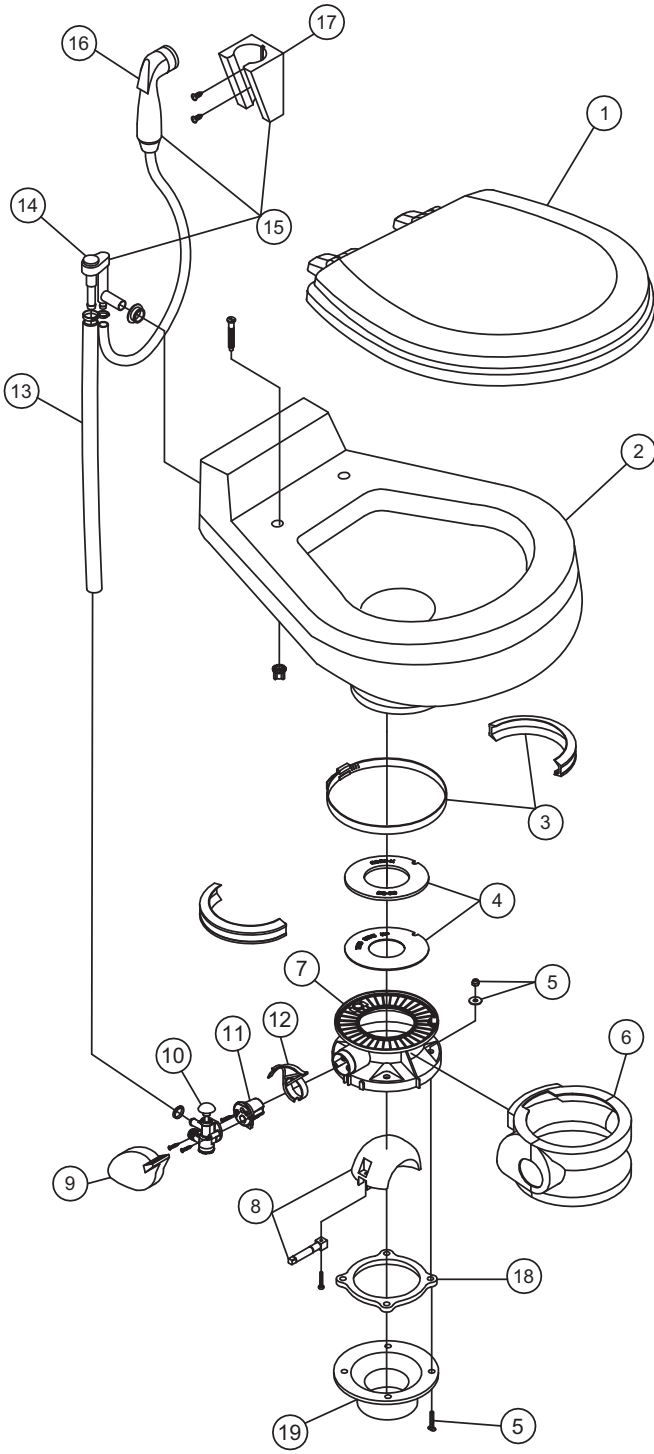
ITEM	PART NO.	DESCRIPTION
1	385344436	SEAT ASSEMBLY, WHITE
	385344437	SEAT ASSEMBLY, BONE
	385344438	SEAT ASSEMBLY, EBONY
2	385310615	CHINA BOWL KIT, WHITE
	385310616	CHINA BOWL KIT, BONE
	385310585	CHINA BOWL KIT, EBONY
3	385310048	BAND & HALF CLAMP KIT BONE
	385310025	BAND & HALF CLAMP KIT WHITE
4	385311462	SEAL REPLACEMENT KIT
5	385310064	MOUNTING HARDWARE
6	385310111	PEDESTAL COVER KIT - WHITE
	385310112	PEDESTAL COVER KIT - BONE
	385310173	PEDESTAL COVER KIT - EBONY
7	385310120	BASE KIT - WHITE (inc items 3-12)
	385310121	BASE KIT - BONE (inc items 3-12)
	385310169	BASE KIT - EBONY (inc items 3-12)
8	385318162	KIT,BALL,SHAFT & CART- WHITE(inc. item 11)
	385310177	KIT,BALL,SHAFT & CART- EBONY(inc. item 11)
9	385310114	PEDAL COVER - WHITE
	385310115	PEDAL COVER - BONE
	385310175	PEDAL COVER - EBONY
10	385314349	WATER VALVE - KIT
11	385236096	SPRING CARTRIDGE - KIT
12	385310578	PEDAL, CARTRIDGE, KIT (inc. item 11)
13	385340177	HOSE, SUPPLY - BONE & EBONY.
	385345377	HOSE, SUPPLY - WHITE
14	385316906	VACUUM BREAKER, KIT - USED WITHOUT SPRAY
	385230335	VACUUM BREAKER, KIT - USED WITH SPRAY
15	385319056	VACUUM BREAKER, COMPLETE - CHROME
	385319057	VACUUM BREAKER, COMPLETE - EBONY
16	385310873	HAND SPRAY - EBONY.
	385310809	HAND SPRAY - CHROME
17	385311131	BRACKET,HAND SPRAY-CHROME
	385311125	BRACKET,HAND SPRAY-EBONY
18	385310063	FLOOR FLANGE, (inc item 5)
19	385345889	FLOOR FLANGE, 3" MPT
	385345892	FLOOR FLANGE, 3" SOCKET
	385343765	FLOOR FLANGE, 3" SPIGOT
	385310961	FLOOR FLANGE ADAPTER, 45° SWIVEL (MUST BE USED WITH SEAL INC.)

(ITEM 19 SOLD SEPARATELY)



Dometic Corporation - Sanitation Systems  
13128 State Rt. 226, P.O. Box 38  
Big Prairie, OH 44611-0038 USA  
Telephone: 330-496-3211  
Fax: 330-496-3097  
Email: sealand@dometicusa.com

PARTS LIST: 2011

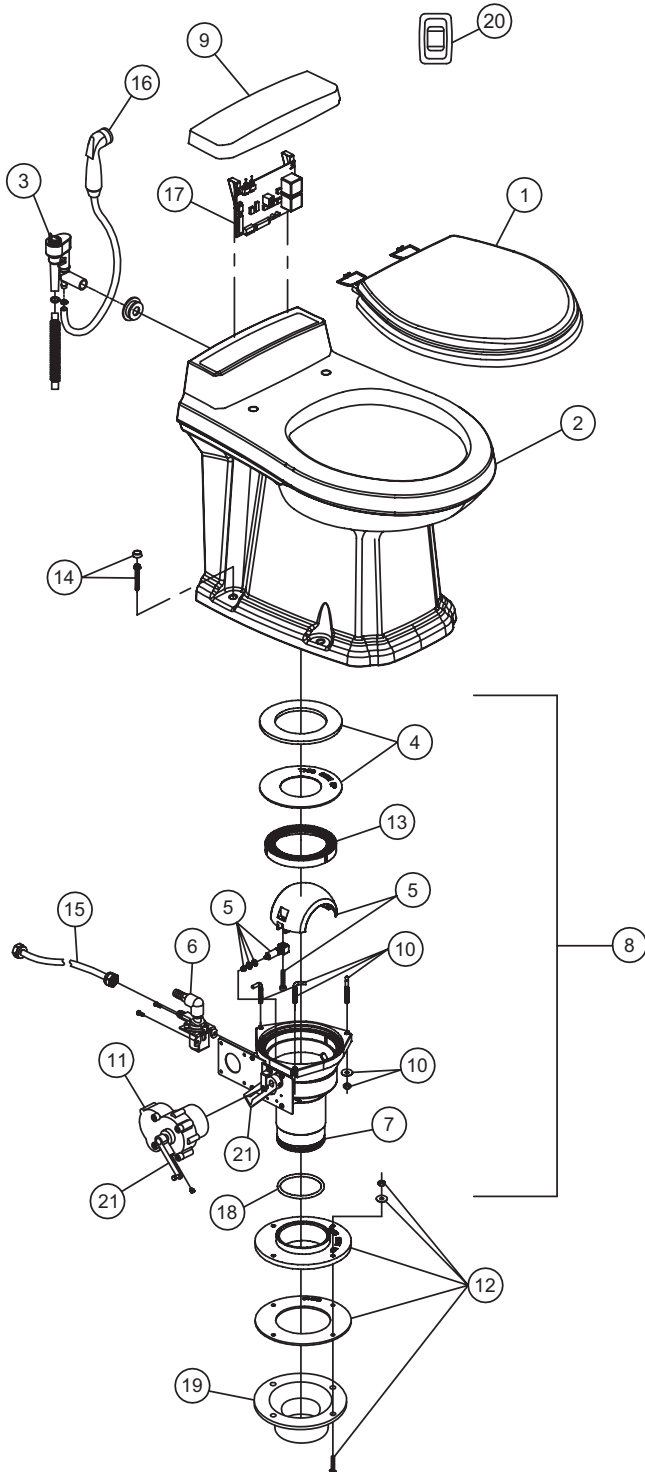


ITEM	PART NO.	DESCRIPTION
1	385344436	SEAT ASSEMBLY, WHITE
	385344437	SEAT ASSEMBLY, BONE
	385344438	SEAT ASSEMBLY, EBONY
2	385310615	CHINA BOWL KIT, WHITE
	385310616	CHINA BOWL KIT, BONE
	385310585	CHINA BOWL KIT, EBONY
3	385310048	BAND AND HALF CLAMP, KIT BONE
	385310025	BAND AND HALF CLAMP, KIT WHITE
4	385311462	SEAL REPLACEMENT , KIT
5	385310064	MOUNTING HARDWARE
6	385310108	PEDESTAL COVER KIT , WHITE
	385310109	PEDESTAL COVER KIT , BONE
	385310600	PEDESTAL COVER KIT , EBONY
7	385310123	BASE KIT, WHITE (inc items 3-12)
	385310124	BASE KIT, BONE (inc items 3-12)
	385310588	BASE KIT, EBONY (inc items 3-12)
8	385318162	KIT,BALL,SHAFT & CART, WHITE(inc. item 11)
	385310177	KIT,BALL,SHAFT & CART, EBONY(inc. item 11)
9	385310117	PEDAL COVER, WHITE
	385310118	PEDAL COVER, BONE
	385310593	PEDAL COVER, EBONY
10	385314349	WATER VALVE, KIT
11	385236096	SPRING CARTRIDGE, KIT
12	385310579	PEDAL, CARTRIDGE, KIT (inc. item 11)
13	385340177	HOSE, SUPPLY - BONE & EBONY.
	385345377	HOSE, SUPPLY - WHITE
14	385316906	VACUUM BREAKER, KIT - WITHOUT SPRAY
	385230335	VACUUM BREAKER, KIT - WITH SPRAY
15	385319056	VACUUM BREAKER, SPRAY & BRACKET, KIT
16	385310809	HAND SPRAY, CHROME
	385310873	HAND SPRAY, EBONY.
17	385311131	BRACKET,HAND SPRAY-CHROME
	385311125	BRACKET,HAND SPRAY-EBONY
18	385310063	FLOOR FLANGE, KIT (inc item 5)
19	385345889	FLOOR FLANGE, 3" MPT
	385345892	FLOOR FLANGE, 3" SOCKET
	385343765	FLOOR FLANGE, 3" SPIGOT
	385310961	FLOOR FLANGE ADAPTER, 45° SWIVEL <small>*MUST BE USED WITH SEAL PROVIDED.</small>

(ITEM 19 SOLD SEPARATELY)

**Dometic** *Sealand*  
 Dometic Corporation - Sanitation Systems  
 13128 State Rt. 226, P.O. Box 38  
 Big Prairie, OH 44611-0038 USA  
 Telephone: 330-496-3211  
 Fax: 330-496-3097  
 Email: sealand@dometicusa.com

# PARTS LIST: 3110 PLUG IN BASE



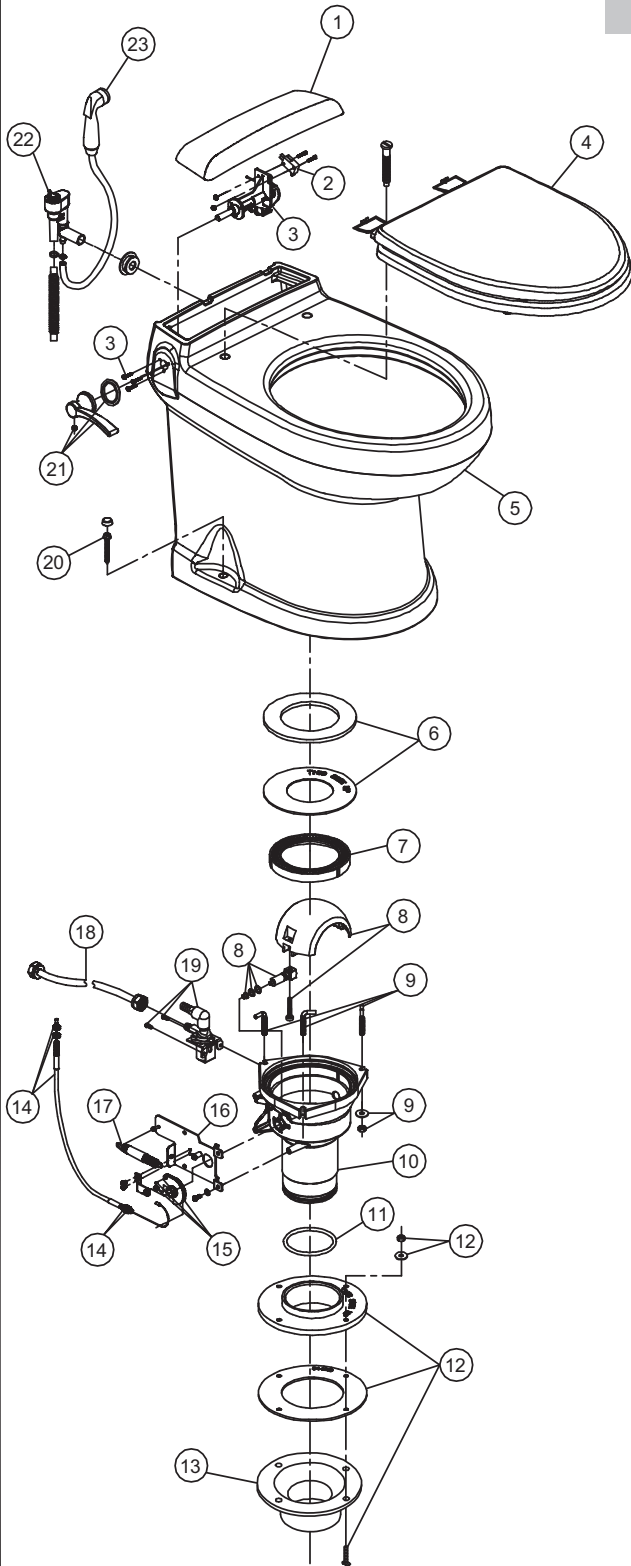
ITEM	PART NUMBER	DESCRIPTION
1	385344013	KIT, SEAT-CV'R MAG OP-WHITE
	385344014	KIT, SEAT-CV'R MAG OP-BONE
	385344018	KIT, SEAT-CV'R MAG OP-PLAT
	385344019	KIT, SEAT-CV'R MAG OP-EBONY
2	385310811	KIT,BOWL MAGNUM OPUS WHT TALL
	385310812	KIT,BOWL MAGNUM OPUS BONE TALL
	385310867	KIT,BOWL MAGNUM OPUS PLAT TALL
	385310869	KIT,BOWL MAGNUM OPUS EBY TALL
3	385310807	KIT, VAC BRK'R ASY/PLUGIN BASE
	385310808	KIT, VAC BRK'K SPRAY/PLUGIN BS
4	385311009	KIT, PLUG IN BASE SEALS
5	385310969	KIT, MO HALFB'L/SHAFT AY-WHT
	385310971	KIT, MO HALFB'L/SHAFT AY-EBY
6	385310821	KIT, WATER VALVE12/MAGNUM OPUS
7	385311051	KIT, BASE 3010 ASSY (INC. 4,5,10,13)
8	385311050	KIT, BASE 3010 PLUGIN COMPLETE
9	385310851	KIT,ACCESS LID/MAGNUM OPUS WHT
	385310852	KIT,ACCESS LID/MAGNUM OPUS BON
	385310864	KIT,ACCESS LID MAG OPUS/PLAT
	385310866	KIT,ACCESS LID/MAGNUM OPUS EBY
10	385311011	KIT, CON'TO L-BOLT/NUTS/WSHR
11	385310822	KIT, 12 MOTOR/MTG HARDWARE MO
12	385311013	KIT, CON'TO FLOOR FLANGE ADPT
13	385311292	KIT, BASE RING INSERT
14	385310785	KIT, MOUNTING-ECOVAC - BONE
	385310679	KIT, MOUNTING-ECOVAC - WHITE
	385310813	KIT, MOUNT/MAGNUM OPUS/CHROME
	385310814	KIT, MOUNT/MAGNUM OPUS/GOLD
15	385311018	KIT, PLUG-IN SUPPLY HOSE
16	385310809	KIT, HAND SPRAY-CHROME
	385310873	KIT,SPRAY-EBONY
17	385310887	KIT,MAG OPUS C BOARD-12/TRAV
18	385311294	KIT, O'RING PLUG-IN BASE
19	385343765	FLOOR FLANGE 3" SPIGOT (NOT INC.)
	385345892	FLOOR FLANGE 3" HUB (NOT INC.)
	385345889	FLOOR FLANGE 3" MPT (NOT INC.)
	307344653	FLOOR FLANGE 45° SWIVEL (NOT INC.)
20	385311139	KIT, WALL MT SWITCH-GRAVITY (CABLE INC. 8')
21	385311417	KIT, BASE DRIVE ARMS
N/S	385310854	KIT,ACCESS LID MT/MAGNUM OPUS

\* WHENEVER THE BASE IS REMOVED, YOU MUST REPLACE THE L-BOLTS AND NUTS.



Dometic Corporation - Sanitation Systems  
13128 State Rt. 226, P.O. Box 38  
Big Prairie, OH 44611-0038 USA  
Telephone: 330-496-3211  
Fax: 330-496-3097  
Email: sealand@dometicus.com

## PARTS LIST: 3200 PLUG IN BASE



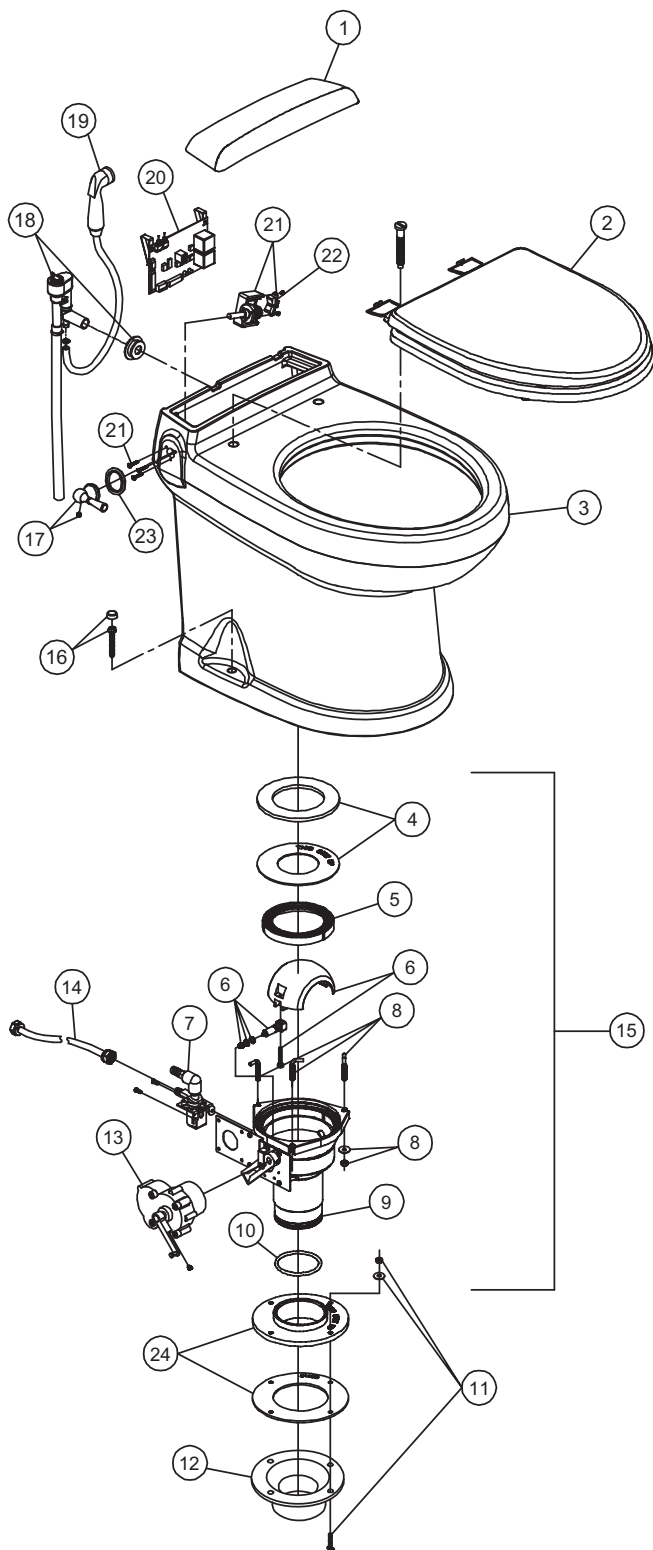
ITEM	PART NO.	DESCRIPTION
1	385311001	ACCESS COVER, WHITE
	385311002	ACCESS COVER, BONE
2	385311003	FLUSH SWITCH ASSY
3	385311004	FLUSH SHAFT HANDLE KIT
4	385311005	SEAT & LID WHITE
	385311006	SEAT & LID BONE
5	385311007	CHINA BOWL, WHITE (inc. lid & dual lock)
	385311008	CHINA BOWL, BONE (inc. lid & dual lock)
6	385311009	BOWL SEAL KIT
7	600343534	RING BASE INSERT
8	385311010	SHAFT/HALF BALL KIT
9	385311011	J-BOLT W/NUTS, WASHER
10	385311028	CONCERTO BASE
11	600344609	O'RING 3.1 X 3.5 X .21
13*	385311013	FLOOR FLANGE ADAPTER KIT
	385343765	FLOOR FLANGE 3" SPIGOT
	385345892	FLOOR FLANGE 3" HUB
	385345889	FLOOR FLANGE 3" MALE PIPE THREAD
	385310961	FLOOR FLANGE 45° SWIVEL *must use with seal included in kit.
14	385311014	FLUSH CABLE KIT
15	385311015	PULLEY KIT
16	385311016	BASE BRACKET
17	385311017	RETURN SPRING KIT
18	385311018	SUPPLY, HOSE
19	385310821	KIT, WATER VALVE12
20	385311020	MOUNTING HARDWARE CHROME
	385311021	MOUNTING HARDWARE GOLD
	385311022	KIT, CON'TO MT'G HARD-BONE/WHT
21	385311023	FLUSH HANDLE CHROME
	385311024	FLUSH HANDLE GOLD
	385311025	FLUSH HANDLE NICKEL
22	385310807	KIT, VAC BRK'R ASY/PLUGIN BASE
	385310808	KIT, VAC BRK'K SPRAY/PLUGIN BASE
23	385310809	HAND SPRAY, CHROME

\*ITEM 13 SOLD SEPARATELY

**Dometic** *Sealand*

Dometic Corporation - Sanitation Systems  
13128 State Rt. 226, P.O. Box 38  
Big Prairie, OH 44611-0038 USA  
Telephone: 330-496-3211  
Fax: 330-496-3097  
Email: sealand@dometicusa.com

# PARTS LIST: 3310 PLUG IN BASE



ITEM	PART NUMBER	DESCRIPTION
1	385311001	ACCESS COVER, WHITE
	385311002	ACCESS COVER, BONE
2	385311005	SEAT & COVER - WHITE
	385311006	SEAT & COVER - BONE
3	385311007	CHINA BOWL, WHITE
	385311008	CHINA BOWL, BONE
4	385311009	KIT, SEAL PLUG IN BASE
5	385311292	KIT, BASE RING INSERT
6	385310969	SHAFT/ HALF BALL KIT
7	385310821	WATER VALVE w/MOUNTING SCREWS (12VDC)
8	385311011	L- BOLTS/NUTS /WASH/ PLUG IN BASE
9	385311051	BASE PLUG IN (inc. item 8 - 10)
10	385311294	KIT, O'RING PLUG-IN BASE
11	385310064	MOUNTING KIT
12	385343765	FLOOR FLANGE 3" SPIGOT (sold separately)
	385345892	FLOOR FLANGE 3" HUB (sold separately)
	385345889	FLOOR FLANGE 3" MALE PIPE THREAD (sold separately)
	307344653	FLOOR FLANGE 45° SWIVEL (sold separately)
13	385310822	MOTOR & MOUNTING HARDWARE (12VDC)
14	385311018	SUPPLY HOSE
15	385311177	COMPLETE BASE 3310 PLUG IN (INCLUDES ITEMS 4 -11& 13)
16	385310679	MOUNTING KIT - WHITE
	385310785	MOUNTING KIT - BONE
17	385310962	FLUSH HANDLE WITH SET SCREW, CHROME
	385310963	FLUSH HANDLE WITH SET SCREW, GOLD
	385311141	FLUSH HANDLE WITH SET SCREW, NICKEL
18	385311026	VACUUM BREAKER KIT
	385311027	VACUUM BREAKER KIT - WITH SPRAY
19	385310809	HAND SPRAY
20	385311174	CONTROL MODULE 12VDC GRAVITY
21	385311175	FLUSH CONTROL ASSEMBLY w/CABLE
22	385311176	ROCKER SWITCH w/CABLE
23	600344695	WASHER, FLUSH HANDLE
24	385311013	FLOOR FLANGE ADAPTER KIT
N/S	385310854	ACCESS COVER MOUNTING KIT
N/S	385311417	KIT, BASE DRIVE ARMS



Dometic Corporation - Sanitation Systems  
13128 State Rt. 226, P.O. Box 38  
Big Prairie, OH 44611-0038 USA  
Telephone: 330-496-3211  
Fax: 330-496-3097  
Email: sealand@dometicus.com

# PARTS LIST: 4310 MODEL

ITEM	PART NUMBER & DESCRIPTION					
1	385311005 SEAT/COVER - WHITE	28	385311733 MANUAL OVERRIDE GUIDE - WHITE	30	385310064 FLOOR FLANGE MOUNTING HARDWARE	
	385311006 SEAT/COVER - BONE		385311734 MANUAL OVERRIDE GUIDE - BONE		31	385311013 FLOOR FLANGE ADAPTER KIT **INCLUDES ITEMS 30
	385311597 SEAT/COVER - EBONY		385311735 MANUAL OVERRIDE GUIDE - EBONY			32**
2	385311730 4300/4400 BOWL KIT - WHITE	29	385311729 4310/4410 PLUG-IN BASE KIT - WHITE	385345892 3" SOCKET FLOOR FLANGE		
	385311731 4300/4400 BOWL KIT - BONE		385311737 4310/4410 PLUG-IN BASE KIT - EBONY	385345889 3" MPT FLOOR FLANGE		
	385311732 4300/4400 BOWL KIT - EBONY **INCLUDES ITEM 6			307344653 FLOOR FLANGE 45° SWIVEL		
3	385311009 FLUSH BALL SEAL REPL KIT **INCLUDES ITEM 6					
4	385311292 BASE FLUSH BALL RING KIT					
5	385310969 FLUSH BALL/SHAFT REPL KIT					
6	385311011 BASE TO BOWL MOUNTING HARDWARE					
7	385311294 BASE O'RING REPL KIT					
8	385311003 FLUSH ACTUATION SWITCH					
9	385311296 FLUSH BALL CAM REPL KIT					
10	385311297 FLUSH MECHANISM RETURN SPRING					
11	385311303 FLUSH MECHANISM LINKAGE					
12	385311300 MOTOR REPLACEMENT KIT - 12VDC					
13	385311299 MOTOR DRIVE ARM REPL KIT					
14	385311298 WIRING TERMINAL BLOCK REPL					
15	385311736 MANUAL OVERRIDE REPL ROD					
16	385311301 MANUAL O'RIDE REPL RETURN SPRING					
17	385311547 WATER SUPPLY HOSE					
18A	385311545 WATER VALVE KIT - 12VDC					
18B	385311709 RETROFIT WATER VALVE KIT - 12VDC					
	**INCLUDES MOUNTING BRACKET. **FOR 2009 & OLDER MODEL TOILETS.					
19	385311022 BOWL MOUNTING HARDWARE					
20	385310962 FLUSH HANDLE KIT - CHROME					
	385310963 FLUSH HANDLE KIT - GOLD					
	385311141 FLUSH HANDLE KIT - NICKLE					
21	385311291 FLUSH HANDLE ASSEMBLY					
	**INCLUDES ITEM 22					
22	385311290 FLUSH HANDLE SWITCH w/WIRING					
23	385311111 1-1/2" SEALING GROMMET					
24	385311869 CORRUGATED BOWL SUPPLY HOSE					
25	385310807 VACUUM BREAKER KIT					
	385310808 VACUUM BREAKER KIT FOR HAND SPRAY **INCLUDES ITEM 23					
26*	385310809 HAND SPRAYER - CHROME					
	385310873 HAND SPRAYER - EBONY **INCLUDES ITEM 27					
27*	385311131 HAND SPRAY BRACKET - CHROME					
	385311125 HAND SPRAY BRACKET - EBONY					

\* ITEMS 26 & 27 ARE OPTIONAL ACCESSORIES;  
NOT PROVIDED WITH EVERY MODEL.

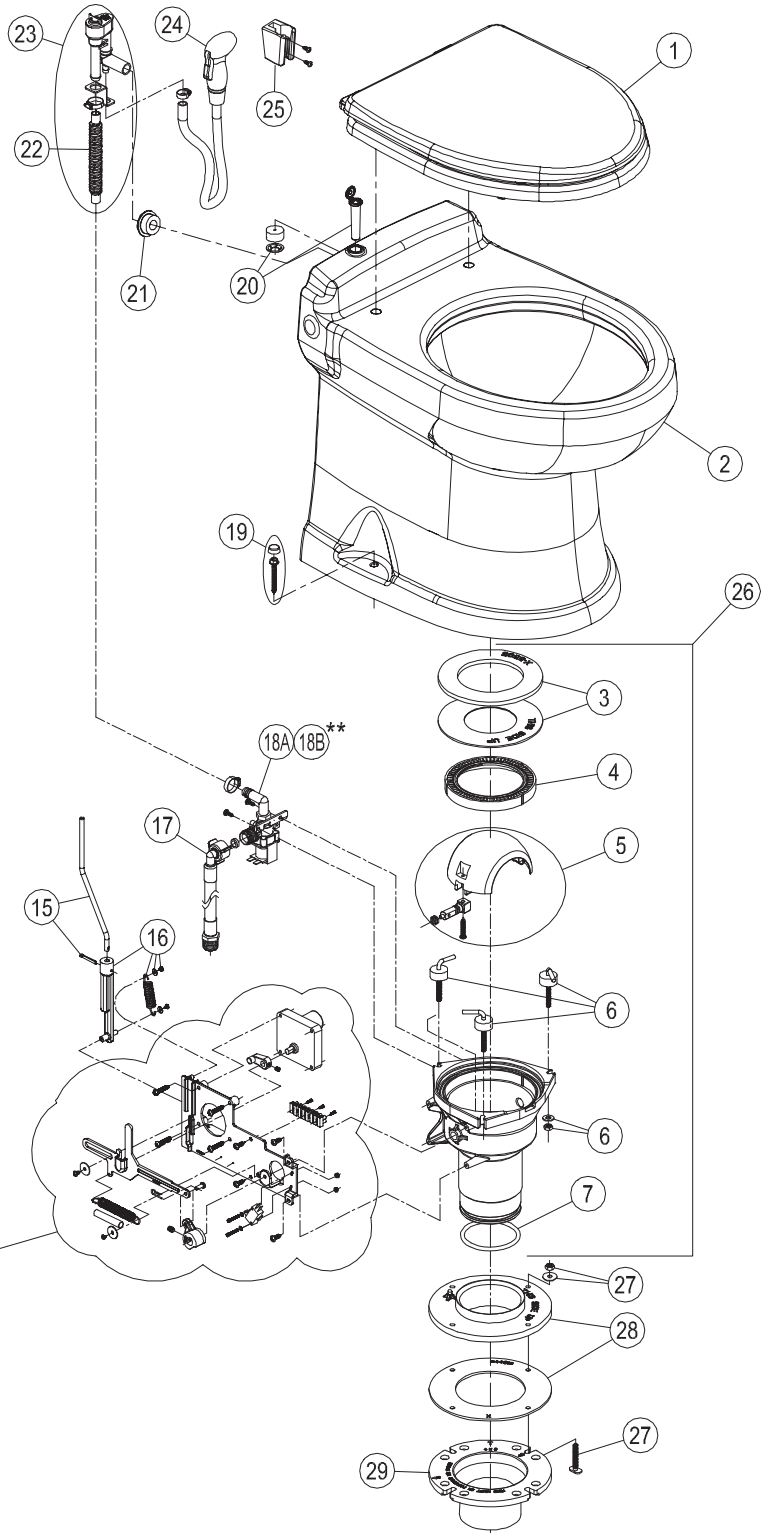
\*\* ITEM 32 IS SOLD SEPARATELY;  
NOT INCLUDED WITH THE TOILET.

Dometic Corporation - Sanitation Systems  
13128 State Rt. 226, P.O. Box 38  
Big Prairie, OH 44611-0038 USA  
Telephone: 330-496-3211  
Fax: 330-496-3097  
Email: sealand@dometicusa.com

# PARTS LIST: 4410 MODEL

ITEM	PART NUMBER & DESCRIPTION	27	385310064	FLOOR FLANGE MOUNTING HARDWARE	29**	385343765	3" SPIGOT FLOOR FLANGE
1	385311005	SEAT/COVER - WHITE	28	385311013	FLOOR FLANGE ADAPTER KIT **INCLUDES ITEMS 27	385345892	3" SOCKET FLOOR FLANGE
	385311006	SEAT/COVER - BONE				385345889	3" MPT FLOOR FLANGE
	385311597	SEAT/COVER - EBONY				307344653	FLOOR FLANGE 45° SWIVEL

2	385311730	4300/4400 BOWL KIT - WHITE
	385311731	4300/4400 BOWL KIT - BONE
	385311732	4300/4400 BOWL KIT - EBONY
	**INCLUDES ITEM 6	
3	385311009	FLUSH BALL SEAL REP'L KIT
	**INCLUDES ITEM 6	
4	385311292	BASE FLUSH BALL RING KIT
5	385310969	FLUSH BALL/SHAFT REP'L KIT
6	385311011	BASE TO BOWL MOUNTING HARDWARE
7	385311294	BASE O'RING REP'L KIT
8	385311003	FLUSH ACTUATION SWITCH
9	385311296	FLUSH BALL CAM REP'L KIT
10	385311297	FLUSH MECHANISM RETURN SPRING
11	385311303	FLUSH MECHANISM LINKAGE
12	385311300	MOTOR REPLACEMENT KIT - 12VDC
13	385311299	MOTOR DRIVE ARM REP'L KIT
14	385311298	WIRING TERMINAL BLOCK REP'L
15	385311736	MANUAL OVERRIDE REP'L ROD
16	385311301	MANUAL O'RIDE REP'L RETURN SPRING
17	385311547	WATER SUPPLY HOSE
18A	385311545	WATER VALVE KIT - 12VDC
18B	385311709	RETROFIT WATER VALVE KIT - 12VDC
	**INCLUDES MOUNTING BRACKET. **FOR 2009 & OLDER MODEL TOILETS.	
19	385311022	BOWL MOUNTING HARDWARE
20	385311733	MANUAL OVERRIDE GUIDE - WHITE
	385311734	MANUAL OVERRIDE GUIDE - BONE
	385311735	MANUAL OVERRIDE GUIDE - EBONY
21	385311111	1-1/2" SEALING GROMMET
22	385311869	CORRUGATED BOWL SUPPLY HOSE
23	385310807	VACUUM BREAKER KIT
	385310808	VACUUM BREAKER KIT FOR HAND SPRAY
	**INCLUDES ITEM 21	
24*	385310809	HAND SPRAYER - CHROME
	385310873	HAND SPRAYER - EBONY
	**INCLUDES ITEM 25	
25*	385311131	HAND SPRAY BRACKET - CHROME
	385311125	HAND SPRAY BRACKET - EBONY
26	385311729	4310/4410 PLUG-IN BASE KIT - WHITE
	385311737	4310/4410 PLUG-IN BASE KIT - EBONY
	**INCLUDES ITEM 3-16 & 18	

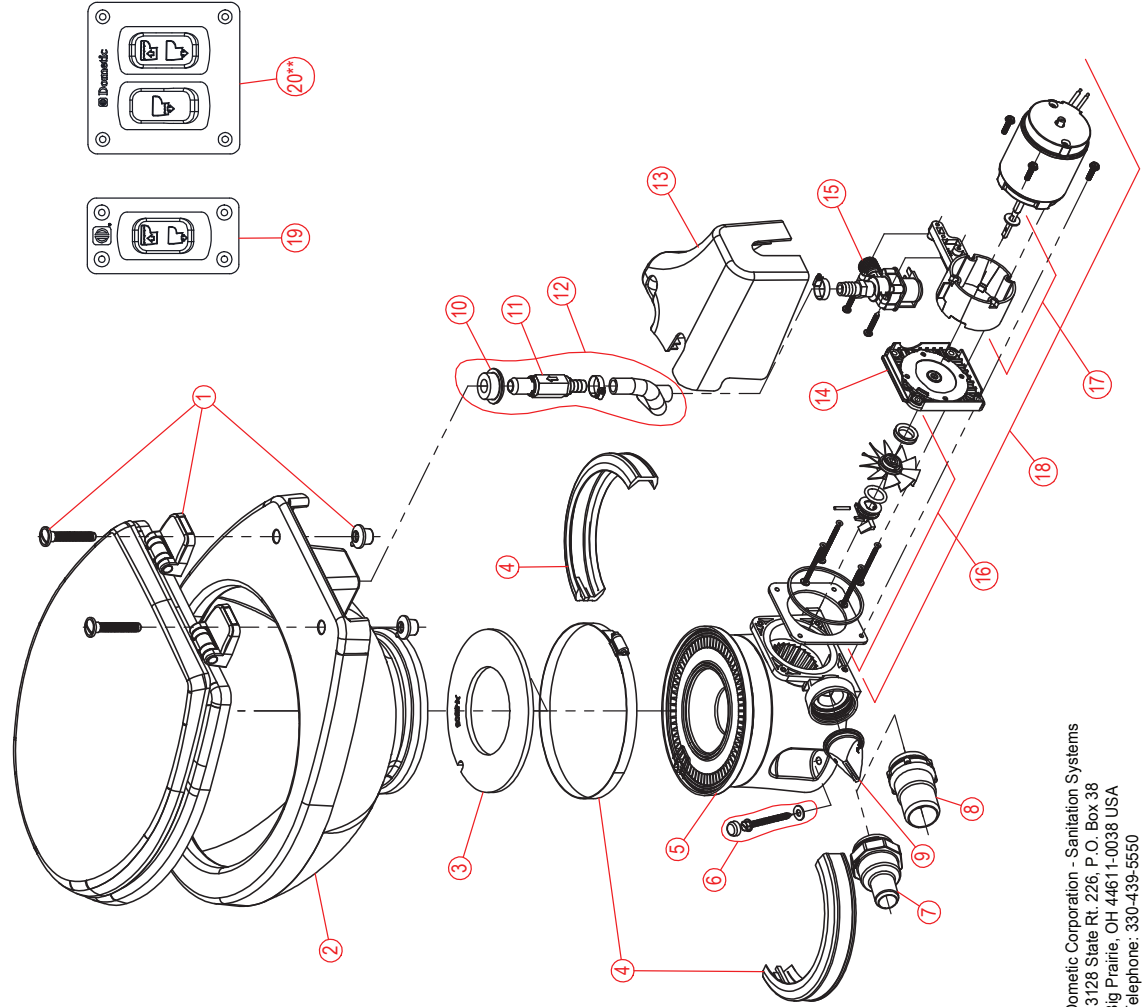


\* ITEMS 24 & 25 ARE OPTIONAL ACCESSORIES:  
NOT PROVIDED WITH EVERY MODEL.

\*\* ITEM 29 IS SOLD SEPARATELY:  
NOT INCLUDED WITH THE TOILET.

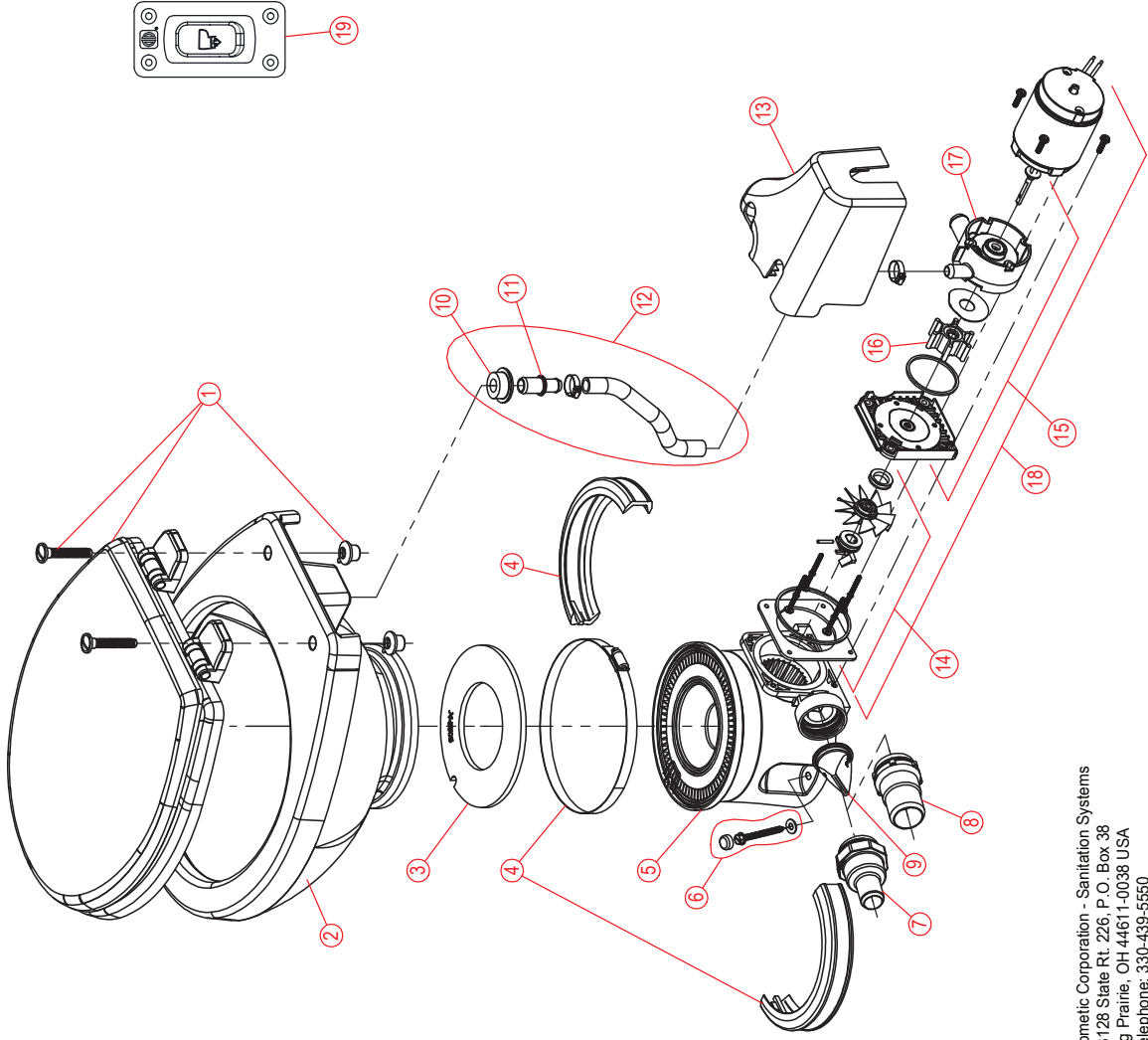


## PARTS LIST: ORBIT 7120 STANDARD VERSION



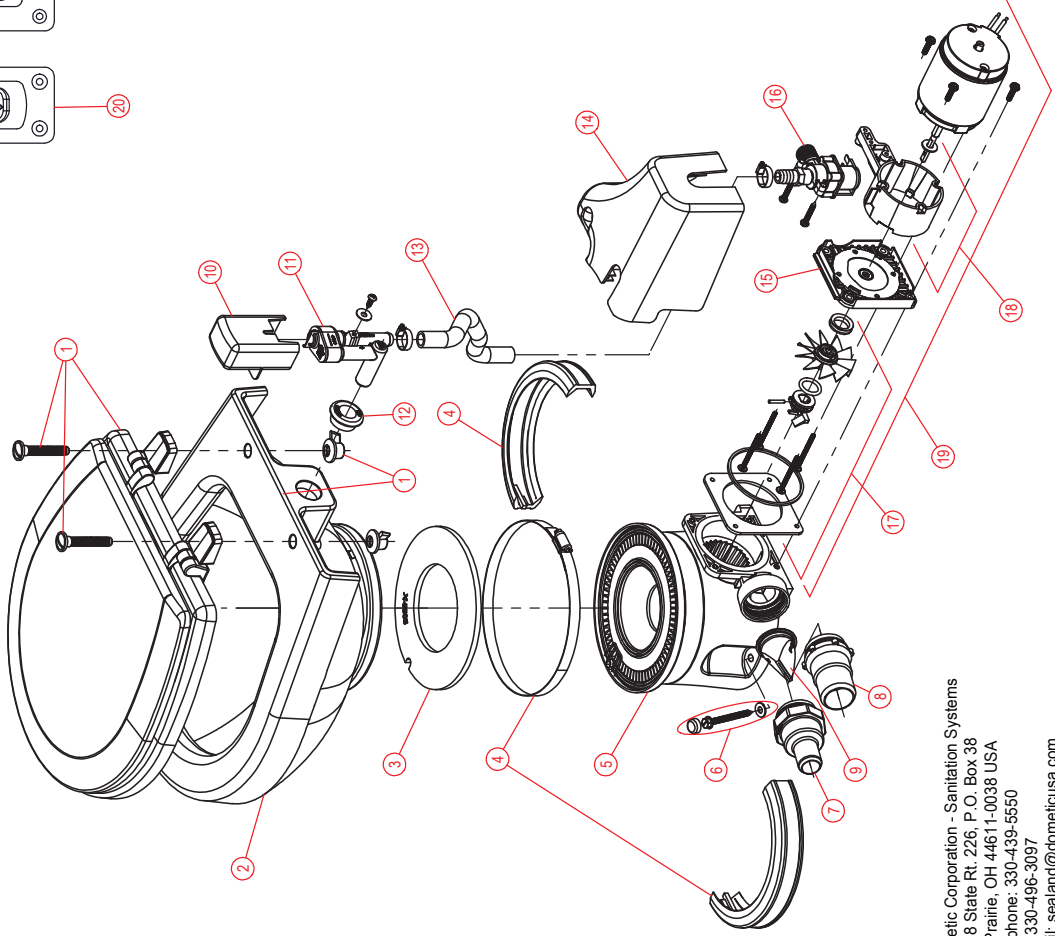
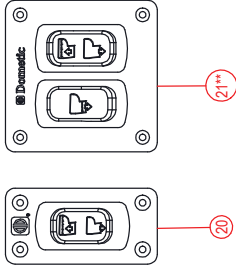
ITEM	PART NUMBER & DESCRIPTION
1	385343829 - SEAT/COVER - WHITE 385343831 - SEAT/COVER - BONE **Includes Mounting Hardware.
2	385311079 - BOWL KIT - WHITE 385311080 - BOWL KIT - BONE
3	385311979 - BOWL SEAL
4	385310025 - BOWL/BASE CLAMP KIT - WHITE 385310048 - BOWL/BASE CLAMP KIT - BONE
5	385311980 - BASE KIT - WHITE 385311981 - BASE KIT - BONE
6	385310679 - MOUNTING HARDWARE
7	385880072 - 1" VALVE ADAPTER
8	385311315 - 1-1/2" VALVE ADAPTER
9	385311620 - 1-1/2" CHECK VALVE
10	385311164 - 1/2" SEALING GROMMET
11	385311456 - BARBED CHECK VALVE REPLACEMENT **Includes Item 10.
12	385311984 - BOWL SUPPLY HOSE KIT - FRESH WATER **Includes Items 10; 11 & Clamps.
13	385311985 - 7000 SERIES PUMP/MOTOR COVER - WHITE 385311986 - 7000 SERIES PUMP/MOTOR COVER - BONE
14	38311987 - MOTOR MOUNTING PLATE **Includes all Pump Seals & Mounting Hardware.
15	385311851 - WATER VALVE KIT - 12vdc 385311852 - WATER VALVE KIT - 24vdc **Includes Mounting Screws & Clamps.
16	385311988 - MACERATOR BLADE REBUILD KIT **Includes Mounting Hardware.
17	385311992 - WATER VALVE MOUNTING SPACER KIT **Includes all Pump Seals.
18	385311995 - PUMP/MOTOR 12v REPLACEMENT-COMLETE 385311996 - PUMP/MOTOR 24v REPLACEMENT-COMLETE **Includes Items 14-17 & Clamps.
19	385311998 - DFS-2F FLUSH SWITCH PANEL **Includes Mounting Screws.
20**	385311702 - DFST FLUSH SWITCH PANEL **Optional; not Provided with all Models.

## PARTS LIST: ORBIT 7160 STANDARD VERSION



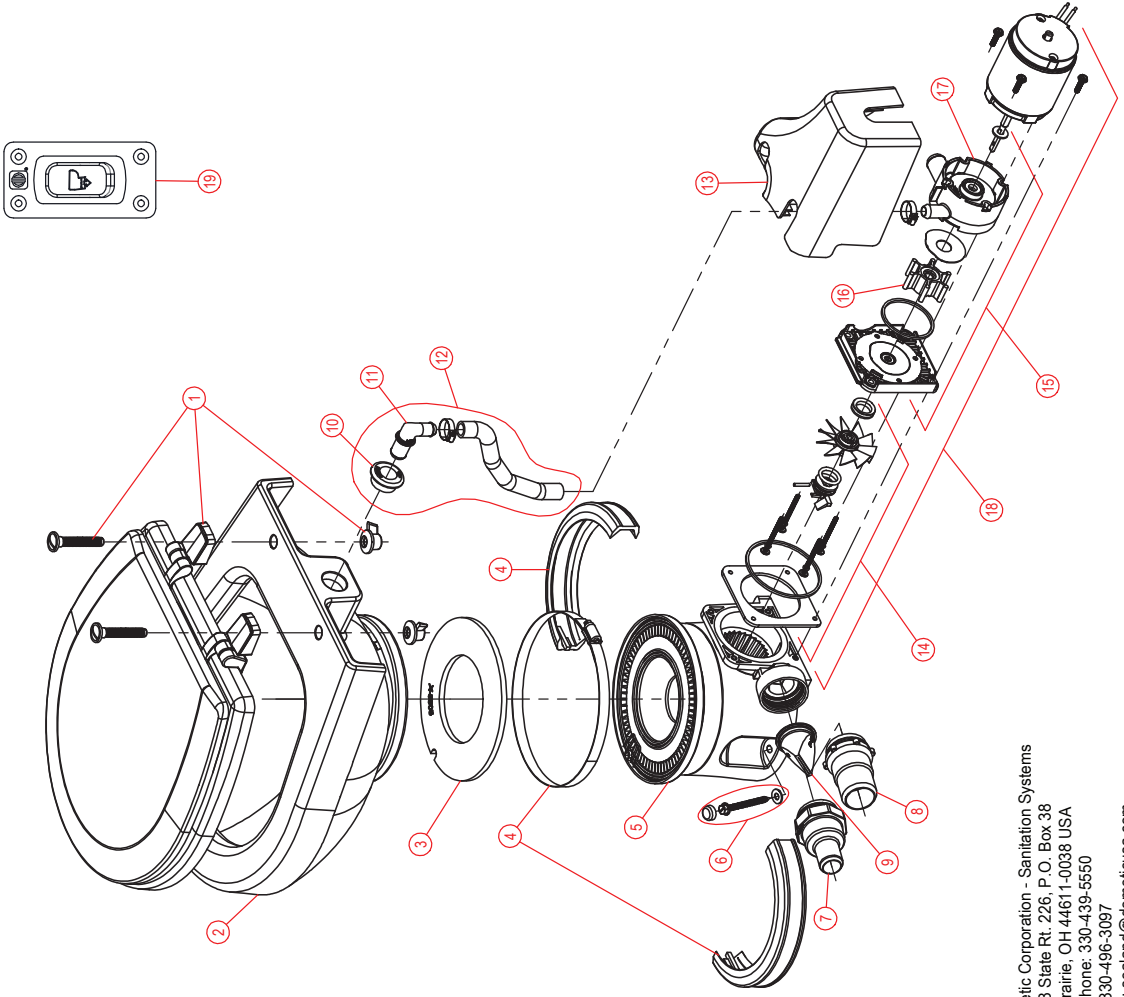
ITEM	PART NUMBER & DESCRIPTION
1	385343829 - SEAT/COVER - WHITE 385343831 - SEAT/COVER - BONE **Includes Mounting Hardware.
2	385311079 - BOWL KIT - WHITE 385311080 - BOWL KIT - BONE
3	385311979 - BOWL SEAL
4	385310025 - BOWL/BASE CLAMP KIT - WHITE 385310048 - BOWL/BASE CLAMP KIT - BONE
5	385311980 - BASE KIT - WHITE 385311981 - BASE KIT - BONE
6	385310679 - MOUNTING HARDWARE
7	385880072 - 1" VALVE ADAPTER
8	385311315 - 1-1/2" VALVE ADAPTER
9	385311620 - 1-1/2" CHECK VALVE
10	385311164 - 1/2" SEALING GROMMET
11	385311982 - BOWL SUPPLY HOSE ADAPTER **Includes Item 10.
12	385311983 - BOWL SUPPLY HOSE KIT - RAW WATER **Includes Items 10, 11 & Clamps.
13	385311985 - 7000 SERIES PUMP/MOTOR COVER - WHITE 385311986 - 7000 SERIES PUMP/MOTOR COVER - BONE
14	385311988 - MACERATOR BLADE REBUILD KIT **Includes all Mounting Hardware.
15	385311989 - WATER PUMP IMPELLER/SEAL REBUILD KIT **Includes all Mounting Hardware & Pump Seals.
16	385311990 - WATER PUMP IMPELLER REPLACEMENT
17	385311991 - WATER PUMP HOUSING **Includes Pump Seals.
18	385311993 - PUMP/MOTOR 12v REPLACEMENT-COMplete 385311994 - PUMP/MOTOR 24v REPLACEMENT-COMplete **Includes Items 14-17 & Clamps.
19	385311997 - DFS-1F FLUSH SWITCH PANEL **Includes Mounting Screws.

# PARTS LIST: ORBIT 7220 STANDARD VERSION



ITEM	PART NUMBER & DESCRIPTION
1	385344436 - SEAT/COVER - WHITE
	385344437 - SEAT/COVER - BONE **Includes Mounting Hardware.
2	385310676 - BOWL KIT - WHITE
	385310781 - BOWL KIT - BONE
3	385311979 - BOWL SEAL
4	385310025 - BOWL/BASE CLAMP KIT - WHITE
	385310048 - BOWL/BASE CLAMP KIT - BONE
5	385311980 - BASE KIT - WHITE
	385311981 - BASE KIT - BONE
6	385310679 - MOUNTING HARDWARE
7	385880072 - 1" VALVE ADAPTER
8	385311315 - 1-1/2" VALVE ADAPTER
9	385311620 - 1-1/2" CHECK VALVE
10	385310696 - VACUUM BREAKER COVER - WHITE
	385310782 - VACUUM BREAKER COVER - BONE **Includes Mounting Hardware.
11	385310687 - VACUUM BREAKER REPLACEMENT ***Includes Item 12.
12	385311164 - 1/2" SEALING GROMMET
13	385312020 - BOWL SUPPLY HOSE KIT - FRESH WATER **Includes Clamps.
14	385311985 - 7000 SERIES PUMP/MOTOR COVER - WHITE
	385311986 - 7000 SERIES PUMP/MOTOR COVER - BONE
15	385311987 - MOTOR MOUNTING PLATE **Includes all Pump Seals & Mounting Hardware.
16	385311851 - WATER VALVE KIT - 12vdc
	385311852 - WATER VALVE KIT - 24vdc **Includes mounting screws & clamps.
17	385311988 - MACERATOR BLADE REBUILD KIT **Includes Mounting Hardware.
18	385311992 - WATER VALVE MOUNTING SPACER KIT **Includes all Pump Seals.
19	385311995 - PUMP/MOTOR 12v REPLACEMENT-COMPLETE
	385311996 - PUMP/MOTOR 24v REPLACEMENT-COMPLETE **Includes Items 15-18 & Clamps.
20	385311998 - DFS-2F FLUSH SWITCH PANEL **Includes Mounting Screws.
21**	385311702 - DFST FLUSH SWITCH PANEL **Optional; not Provided with all Models.

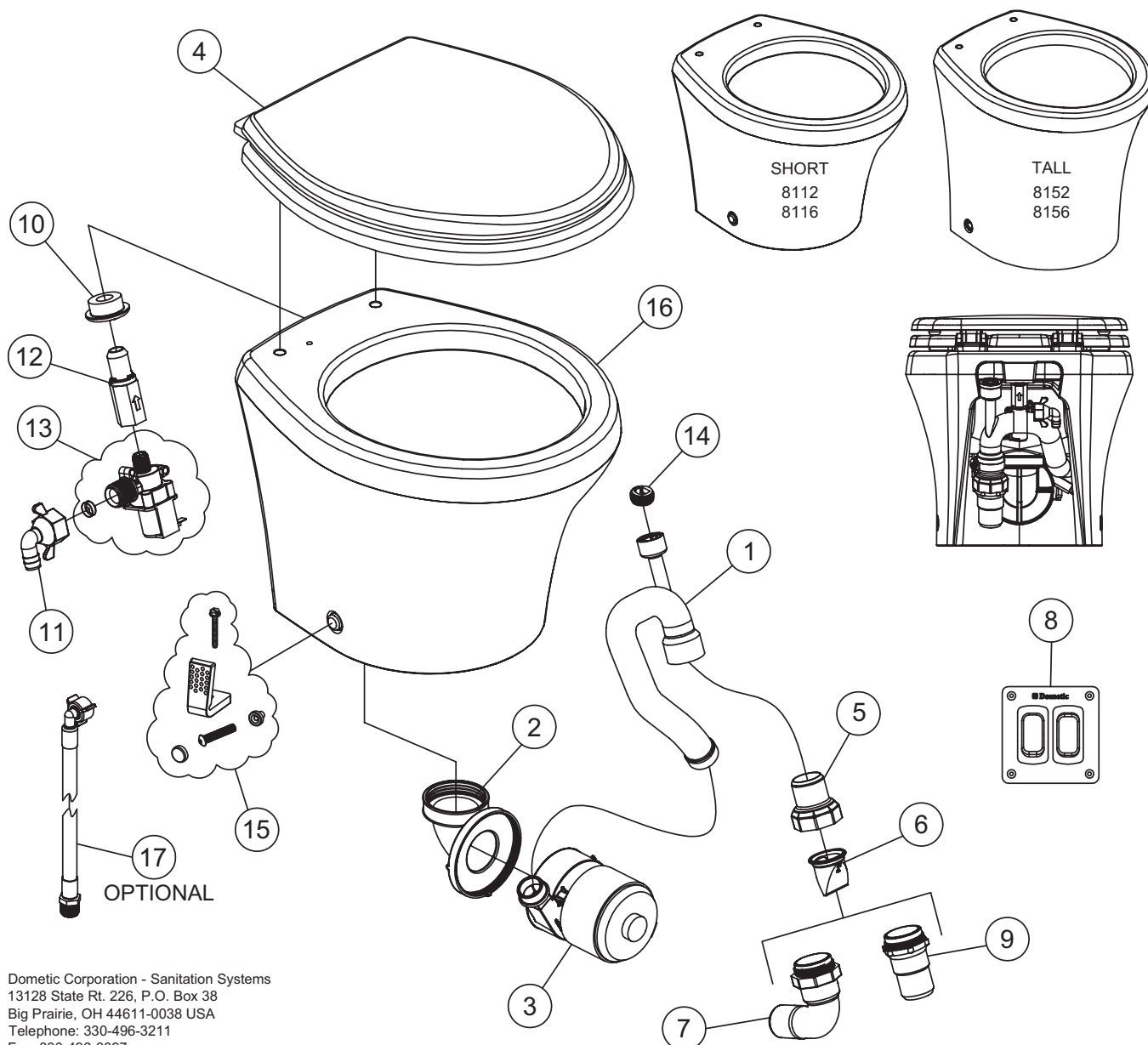
## PARTS LIST: ORBIT 7260 STANDARD VERSION



ITEM	PART NUMBER & DESCRIPTION
1	385344436 - SEAT/COVER - WHITE 385344437 - SEAT/COVER - BONE **Includes Mounting Hardware.
2	385310676 - BOWL KIT - WHITE 385310781 - BOWL KIT - BONE
3	385311979 - BOWL SEAL
4	385310025 - BOWL/BASE CLAMP KIT - WHITE 385310048 - BOWL/BASE CLAMP KIT - BONE
5	385311980 - BASE KIT - WHITE 385311981 - BASE KIT - BONE
6	385310679 - MOUNTING HARDWARE
7	385880072 - 1" VALVE ADAPTER
8	385311315 - 1-1/2" VALVE ADAPTER
9	385311620 - 1-1/2" CHECK VALVE
10	385311164 - 1/2" SEALING GROMMET
11	385312021 - BOWL SUPPLY HOSE ELBOW ADAPTER **Includes Item 10.
12	385312022 - BOWL SUPPLY HOSE KIT - RAW WATER **Includes Items 10; 11 & Clamps
13	385311985 - 7000 SERIES PUMP/MOTOR COVER - WHITE 385311986 - 7000 SERIES PUMP/MOTOR COVER - BONE
14	385311988 - MACERATOR BLADE REBUILD KIT **Includes Mounting Hardware.
15	385311989 - WATER PUMP REBUILD KIT **Includes all Mounting Hardware & Pump Seals.
16	385311990 - WATER PUMP IMPELLER/SEAL REPLACEMENT **Includes all Pump Seals.
17	385311991 - WATER PUMP HOUSING **Includes Pump Seals.
18	385311993 - PUMP/MOTOR 12v REPLACEMENT-COMLETE 385311994 - PUMP/MOTOR 24v REPLACEMENT-COMLETE **Includes Items 14-17 & Clamps.
19	385311997 - DFS-1F FLUSH SWITCH PANEL **Includes Mounting Screws.

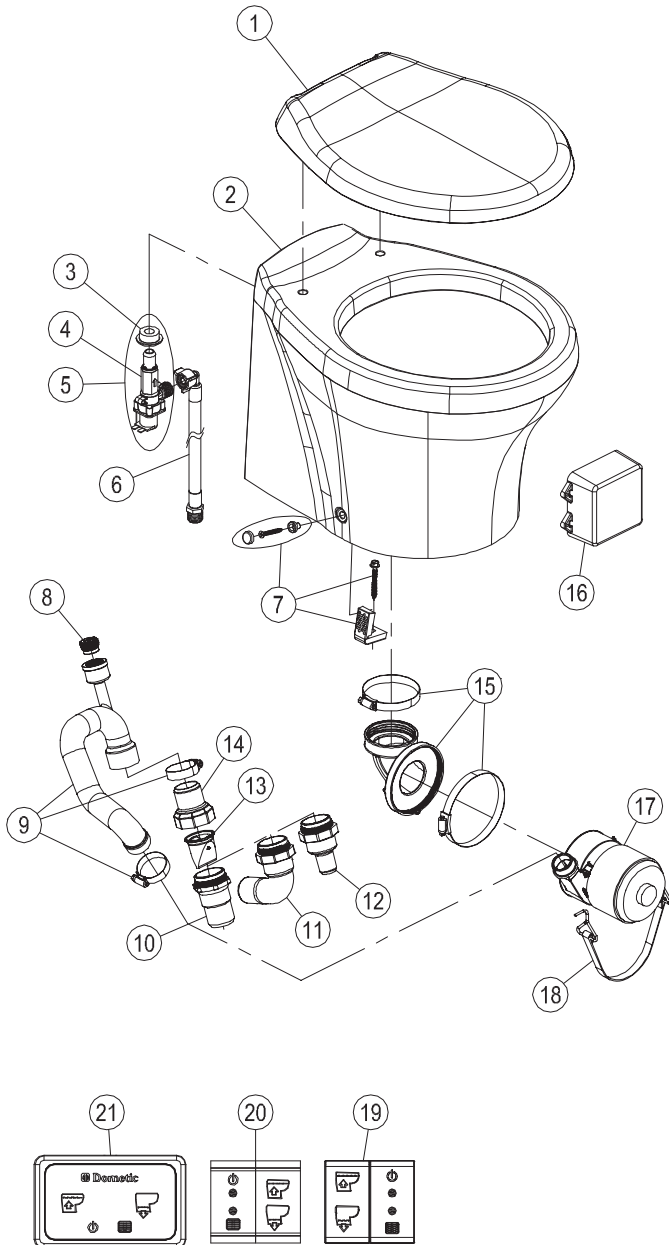
## PARTS LIST: 8100 SERIES

ITEM	PART NO.	DESCRIPTION	ITEM	PART NO.	DESCRIPTION
1	385880065	KIT, TUBE OUTLET SHORT M'FLUSH	11	385311717	KIT, 1/2" FPT SWIVEL ELBOW
2	385880067	KIT, BOWL OUTLET M'FLUSH	12	385880073	KIT CHECK VALVE M'FLUSH (INC. 10)
3	385880068	KIT, MOTOR ASSEMBLY 12VDC M'FLUSH	13	385880074	KIT, W'VALVE 12VDC M'FLUSH (INC. 10,12)
	385880069	KIT, MOTOR ASSEMBLY 24VDC M'FLUSH		385880075	KIT, W'VALVE 24VDC M'FLUSH (INC. 10,12)
4	385311694	KIT, SEAT-CV'R 4800 WOOD-WHITE	14	385880080	KIT, ANTISIPHON VALVE M'FLUSH
	385311695	KIT, SEAT-CV'R 4800 WOOD-BONE	15	385311463	KIT, 4800 CHINA MTG
5	385880070	KIT, ADAPTER M'FLUSH	16	385880076	KIT, BOWL 8900 SHORT WHITE
6	385311620	KIT, DB VALVE 1-1/2"-BLACK (1)		385880077	KIT, BOWL 8900 SHORT BONE
7	385880071	KIT, 1-1/2" OUTLET EL M'FLUSH		385880078	KIT, BOWL 8900 TALL WHITE
8	385311702	KIT, 8100 FLUSH SWITCH ASSY		385880079	KIT, BOWL 8900 TALL BONE
9	385311315	KIT, NIPPLE-RH THREADS	17	385311547	KIT, SUPPLY HOSE-4800 (OPTIONAL)
10	385311164	KIT, SEALING GROMMET 1/2"	N/S	385880083	KIT, STRAP MOTOR M'FLUSH



Dometic Corporation - Sanitation Systems  
 13128 State Rt. 226, P.O. Box 38  
 Big Prairie, OH 44611-0038 USA  
 Telephone: 330-496-3211  
 Fax: 330-496-3097  
 Email: sealand@dometicusa.com

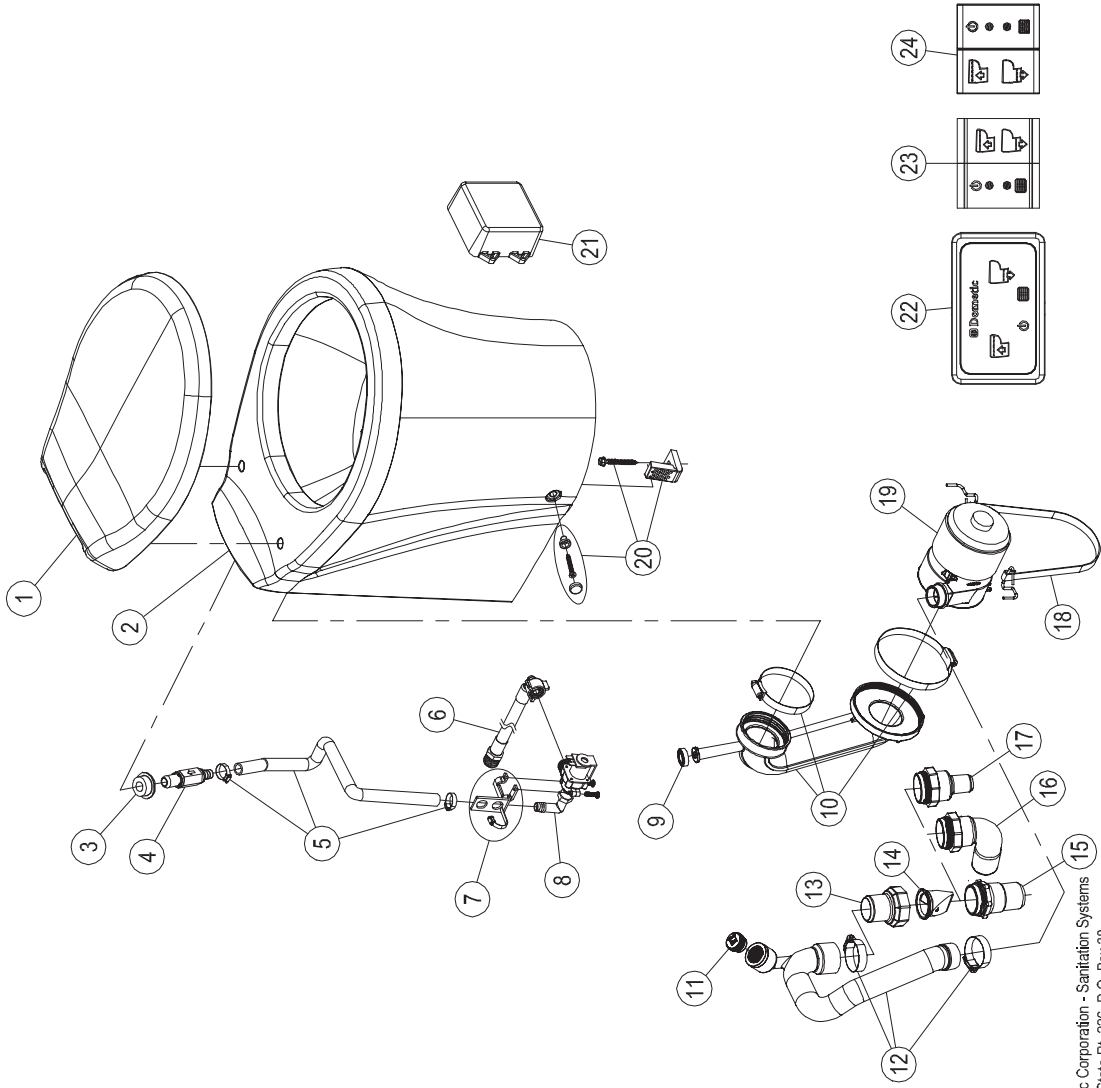
## PARTS LIST: 8600 SHORT SERIES



ITEM	PART NUMBER & DESCRIPTION
1	385311618 SEAT/COVER SLOW CLOSE - WHITE 385311383 SEAT/COVER - BONE
2	385311768 8600 SHORT SERIES BOWL KIT - WHITE 385311769 8600 SHORT SERIES BOWL KIT - BONE
3	385311164 1/2" SEALING GROMMET
4	385880073 CHECKVALVE REPLACEMENT
5	385880074 WATER VALVE KIT - 12VDC 385880075 WATER VALVE KIT - 24VDC **INCLUDES ITEM 3 & 4.
6	385311547 WATER SUPPLY HOSE REPLACEMENT
7	385311463 BOWL MOUNTING HARDWARE KIT
8	385880080 ANTISIPHON VALVE ASSEMBLY
9	385880065 DISCHARGE TUBE - SHORT SERIES **INCLUDES ITEM 8.
10	385311315 1-1/2" VALVE ADAPTER
11	385880071 1-1/2" VALVE ADAPTER ELBOW
12	385880072 1" VALVE ADAPTER
13	385311620 1-1/2" CHECK VALVE
14	385880070 DISCHARGE TUBE VALVE ADAPTER
15	385880067 BOWL OUTLET ELBOW
16	385880085 CONTROL MODULE 12/24VDC (DBL)
17	385880068 MOTOR/MACERATOR ASSY - 12VDC 385880069 MOTOR/MACERATOR ASSY - 24VDC
18	385880083 MOTOR/MAC MOUNTING STRAP
19	313600111 FLUSH SWITCH - GEWISS GRAY
20	313600001 FLUSH SWITCH - VIMAR WHITE 313600002 FLUSH SWITCH - VIMAR GRAY
21	313600021 DOMETIC TOUCHPAD FLUSH SWITCH - WHITE 313600022 DOMETIC TOUCHPAD FLUSH SWITCH - BLACK
NOT SHOWN	385880082 DOMETIC TOUCHPAD FLUSH SWITCH CABLE
NOT SHOWN	385880081 VIMAR/GEWISS FLUSH SWITCH WIRE HARNESS

# PARTS LIST: 8600 TALL SERIES

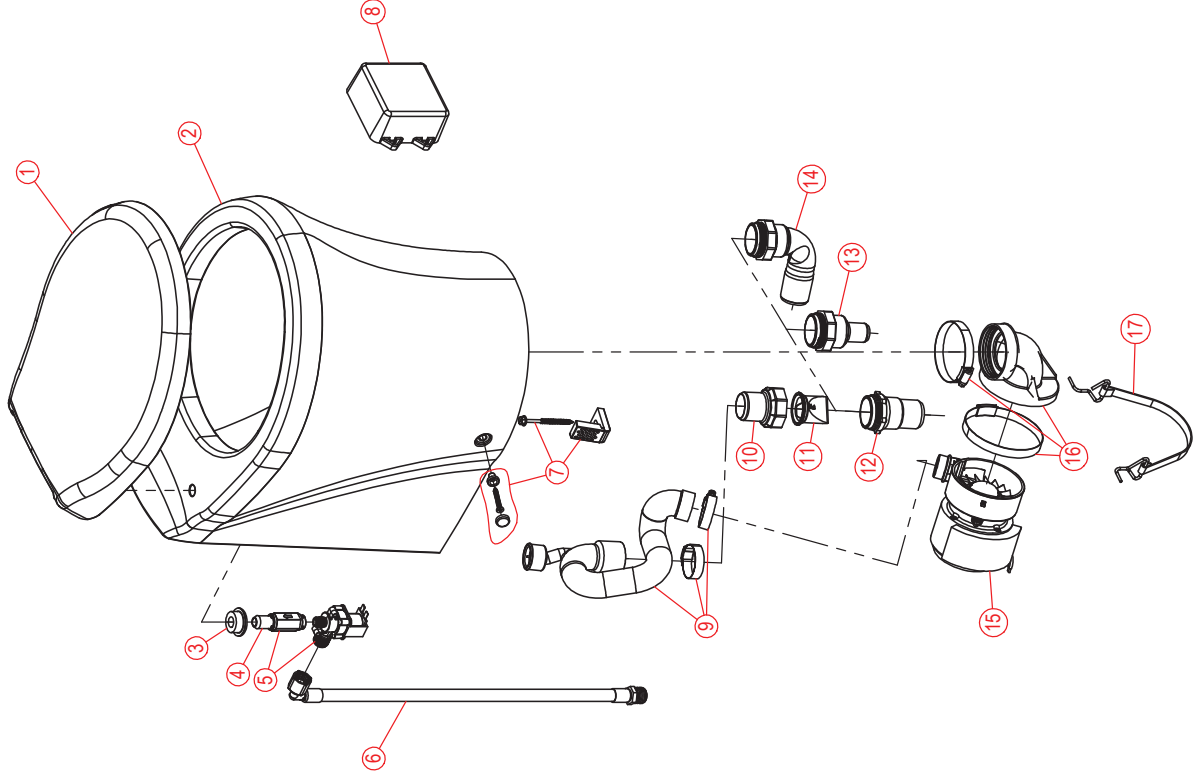
ITEM	PART NUMBER & DESCRIPTION
1	385311618 SEAT/COVER SLOW CLOSE - WHITE 385311383 SEAT/COVER - BONE
2	385311758 8600 TALL SERIES BOWL KIT - WHITE 385311759 8600 TALL SERIES BOWL KIT - BONE
3	385311164 1/2" SEALING GROMMET
4	385311456 CHECKVALVE REPLACEMENT
5	385345277 BOWL WATER SUPPLY HOSE
6	385311547 WATER SUPPLY HOSE REPLACEMENT
7	385311705 WATER VALVE MOUNTING BRACKET KIT
8	385311545 WATER VALVE KIT - 12VDC 385311546 WATER VALVE KIT - 24VDC
9	385311707 BOWL OUTLET TUBE FLAPPER VALVE
10	385311761 BOWL OUTLET TUBE **INCLUDES ITEM 9.
11	385880080 ANTISIPHON VALVE ASSEMBLY
12	385311760 DISCHARGE TUBE - 8600 TALL SERIES **INCLUDES ITEM 11.
13	385311070 DISCHARGE TUBE VALVE ADAPTER
14	385311620 1-1/2" CHECK VALVE
15	385311315 1-1/2" VALVE ADAPTER
16	385880071 1-1/2" VALVE ADAPTER ELBOW
17	385880072 1" VALVE ADAPTER
18	385311762 MOTOR/MAC MOUNTING STRAP
19	385880068 MOTOR/MACERATOR ASSY - 12VDC 385880069 MOTOR/MACERATOR ASSY - 24VDC
20	385311463 BOWL MOUNTING HARDWARE KIT
21	385311875 CONTROL MODULE 12/24VDC (DBH)
22	313600021 DOMETIC TOUCHPAD FLUSH SWITCH - WHITE 313600022 DOMETIC TOUCHPAD FLUSH SWITCH - BLACK
23	313600001 FLUSH SWITCH - VIMAR WHITE 313600002 FLUSH SWITCH - VIMAR GRAY
24	313600111 FLUSH SWITCH - GEWISS GRAY
NOT SHOWN	385880082 DOMETIC TOUCHPAD FLUSH SWITCH CABLE
NOT SHOWN	385880081 VIMAR/GEWISS FLUSH SWITCH WIRE HARNESS



P/N: 600347141  
 REV.: 02-08/14

## PARTS LIST: 8600 TALL MODEL - 304864005

ITEM	PART NUMBER & DESCRIPTION
1	385311618 - SEAT/COVER SLOW-CLOSE KIT - WHITE
2	385312036 - 8600 TALL BOTTOM DISCHARGE BOWL KIT - WHITE
3	385311164 - 1/2" SEALING GROMMET
4	385880073 - CHECKVALVE REPLACEMENT
5	385880075 - WATER VALVE KIT - 24VDC **Includes Items 3 & 4.
6	385311547 - WATER SUPPLY HOSE REPLACEMENT
7	385311463 - BOWL MOUNTING HARDWARE KIT
8	385880085 - CONTROL MODULE 12/24VDC (DBL)
9	385312038 - DISCHARGE TUBE **Includes Anti-Siphon.
10	385880070 - DISCHARGE TUBE VALVE ADAPTER
11	385311620 - 1-1/2" CHECK VALVE
12	385311315 - 1-1/2" PUMP OUTLET FITTING
13	385880072 - 1" VALVE ADAPTER
14	385880071 - 1-1/2" VALVE ADAPTER ELBOW
15	385880069 - MOTOR/MACERATOR ASSY - 24VDC
16	385880067 - BOWL OUTLET ELBOW
17	385880083 - MOTOR/PUMP MOUNTING STRAP



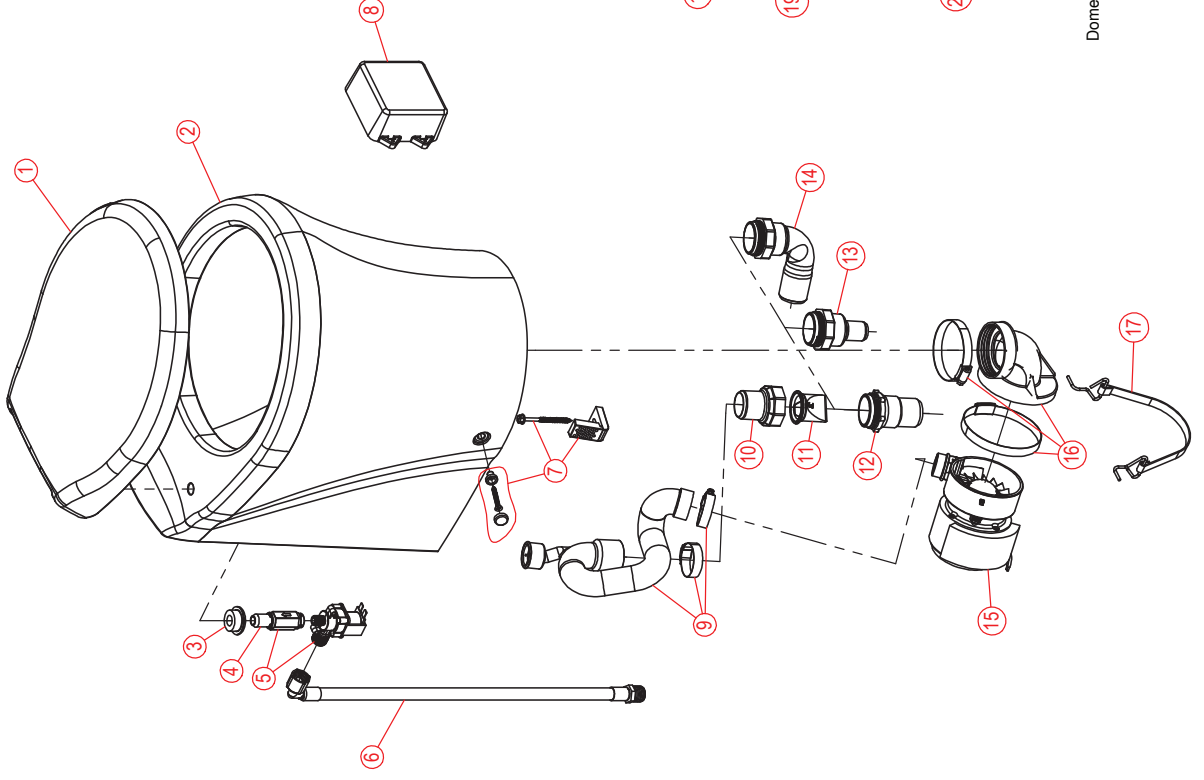
Dometic Corporation - Sanitation Systems  
 13128 State Rt. 226, P.O. Box 38  
 Big Prairie, OH 44611-0038 USA  
 Telephone: 330-439-5550  
 Fax: 330-496-3097  
 Email: sealand@dometicusa.com



P/N: 600347144  
REV.: 02-08/14

**PARTS LIST: 8600 TALL STANDARD MODELS 304864010; 304864011; 304864012 & 304864013**

ITEM	PART NUMBER & DESCRIPTION
1	385311618 - SEAT/COVER SLOW-CLOSE KIT - WHITE 385311619 - SEAT/COVER SLOW-CLOSE KIT - BONE
2	385312036 - 8600 TALL BOTTOM DISCHARGE BOWL KIT - WHITE 385312037 - 8600 TALL BOTTOM DISCHARGE BOWL KIT - BONE
3	385311164 - 1/2" SEALING GROMMET
4	385880073 - CHECKVALVE REPLACEMENT
5	385880074 - WATER VALVE KIT - 12VDC 385880075 - WATER VALVE KIT - 24VDC **Includes Items 3 & 4.
6	385311547 - WATER SUPPLY HOSE REPLACEMENT
7	385311463 - BOWL MOUNTING HARDWARE KIT
8	385880085 - CONTROL MODULE 12/24VDC (DBL)
9	385312038 - DISCHARGE TUBE **Includes Anti-Siphon.
10	385880070 - DISCHARGE TUBE VALVE ADAPTER
11	385311620 - 1-1/2" CHECK VALVE
12	385311315 - 1-1/2" PUMP OUTLET FITTING
13	385880072 - 1" VALVE ADAPTER
14	385880071 - 1-1/2" VALVE ADAPTER ELBOW
15	385880068 - MOTOR/MACERATOR ASSY - 12VDC 385880069 - MOTOR/MACERATOR ASSY - 24VDC
16	385880067 - BOWL OUTLET ELBOW
17	385880083 - MOTOR/PUMP MOUNTING STRAP
18	313600021 - DOMETIC TOUCHPAD FLUSH SWITCH - WHITE 313600022 - DOMETIC TOUCHPAD FLUSH SWITCH - BLACK
19*	313409010 - DOMETIC FLUSH CONTROL - STD GRAY 313409020 - DOMETIC FLUSH CONTROL - STD WHITE
20*	313409030 - DOMETIC FLUSH CONTROL-PLAYBUS GRAY
NOT SHOWN	385880081 - VIMAR/GEWISS FLUSH SWITCH WIRE HARNESS 385880082 - DOMETIC TOUCHPAD FLUSH SWITCH CABLE

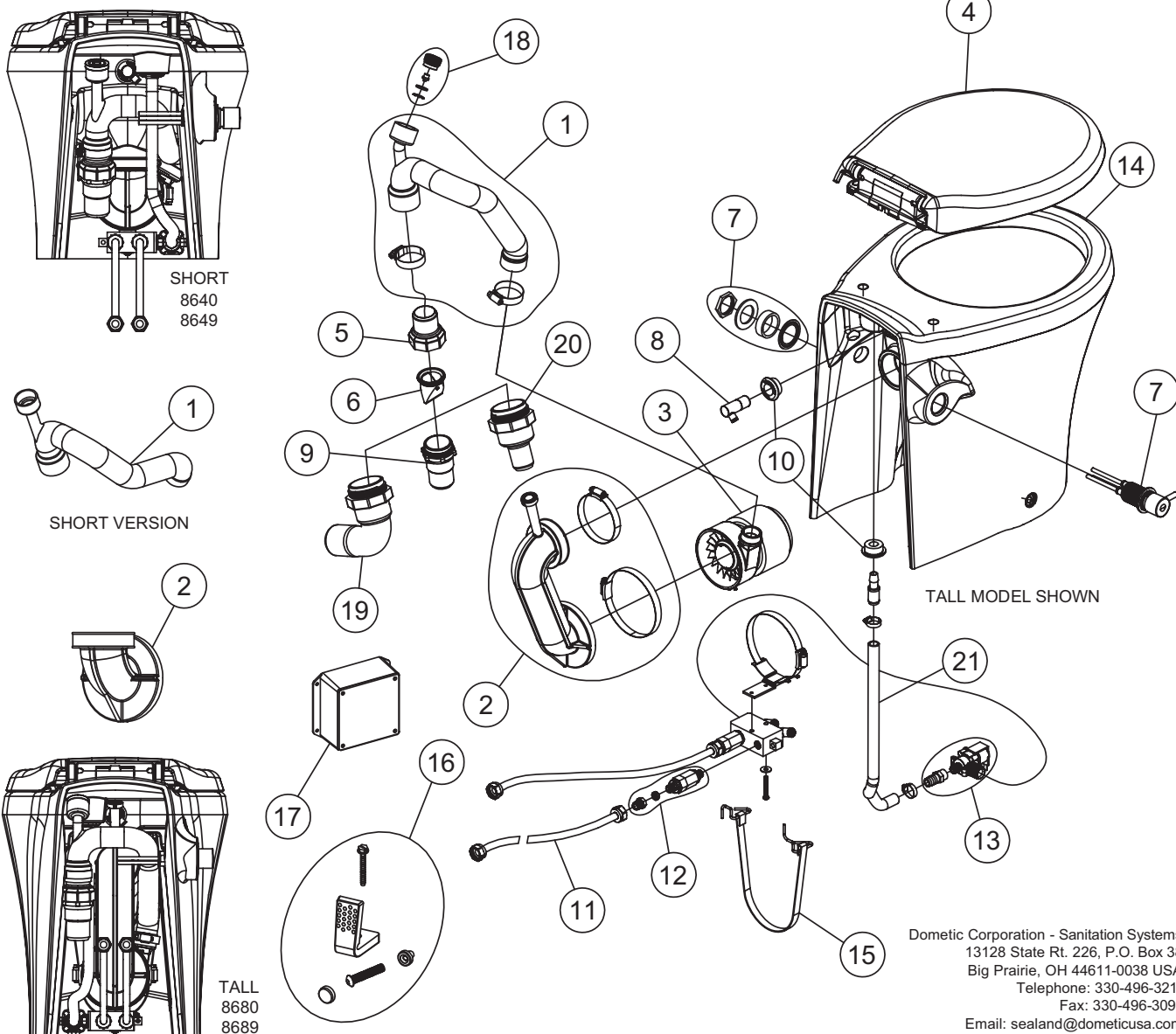


Domestic Corporation - Sanitation Systems  
13128 State Rt. 226, P.O. Box 38  
Big Prairie, OH 44611-0038 USA  
Telephone: 330-439-5550  
Fax: 330-496-3097  
Email: [sealand@domesticusa.com](mailto:sealand@domesticusa.com)

\*Items 19 & 20 are optional accessories sold separately & are not included or provided with every model.

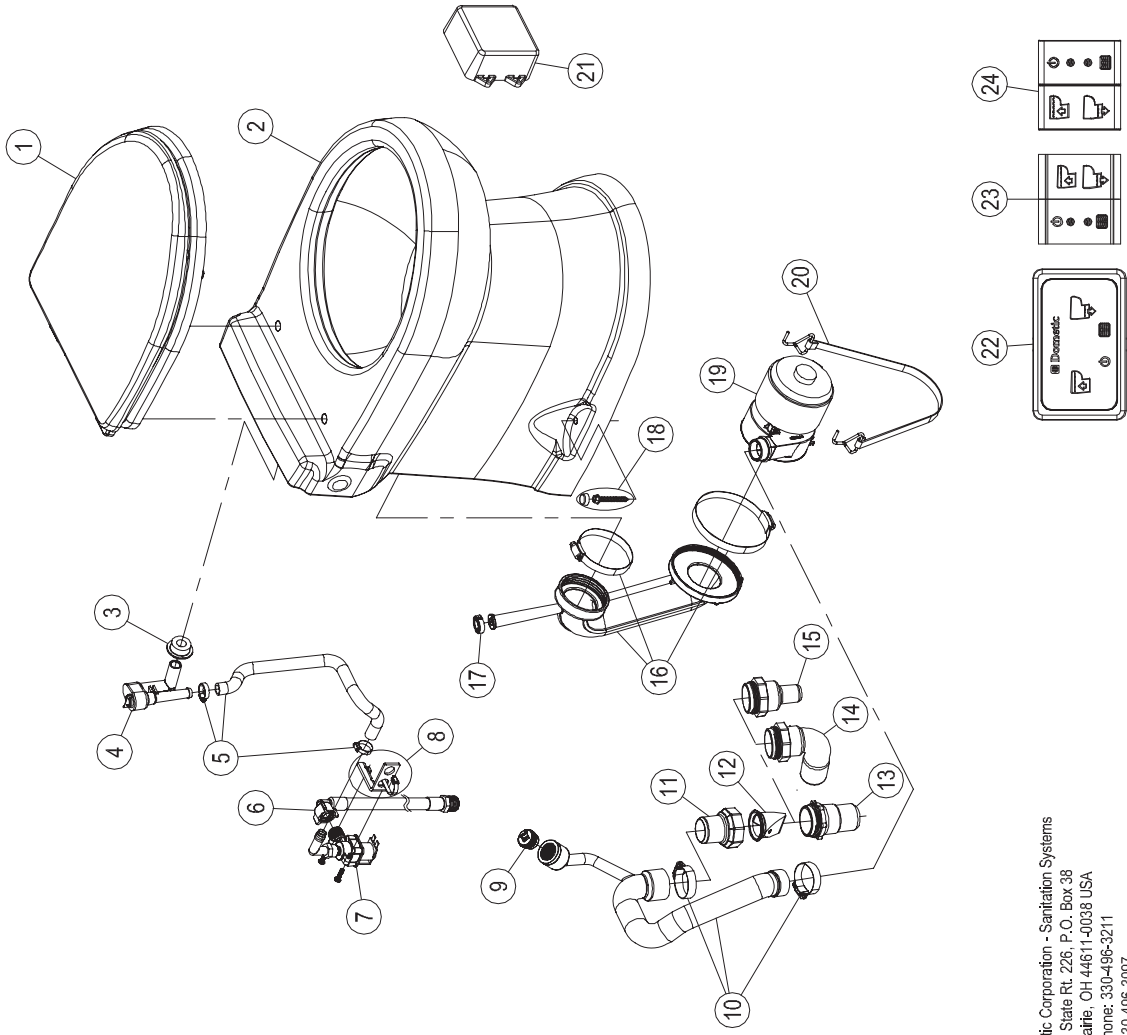
## PARTS LIST: 8600 SERIES WITH BIDET

ITEM	PART NO.	DESCRIPTION	ITEM	PART NO.	DESCRIPTION
1	385880065	KIT, TUBE OUTLET SHORT M'FLUSH (INC 18)	12	385311727	KIT, BIDET CHECKVALVE
	385311760	KIT, PUMP OUTLET TUBE-8600 (INC 18)	13	385311851	KIT, W'VALVE 12V-8640/49/80/89
2	385880067	KIT, BOWL OUTLET M'FLUSH (SHORT MODEL)		385311852	KIT, W'VALVE 24V-8640/49/80/89
	385311761	KIT, BOWL OUTLET TUBE- (TALL MODEL)	14	385311853	KIT, BOWL SHORT 8640/86/49-WHT
3	385880068	KIT, MOTOR ASSEMBLY 12VDC M'FLUSH		385311854	KIT, BOWL TALL 8680/8689-WHT
	385880069	KIT, MOTOR ASSEMBLY 24VDC M'FLUSH	15	385880083	KIT, STRAP MOTOR M'FLUSH
4	385311618	KIT, SEAT/CVR SLOW-CLOSE/WHT		385311762	KIT, MOTOR SUPT STRAP-26"
5	385880070	KIT, ADAPTER M'FLUSH	16	385311463	KIT, 4800 CHINA MTG
6	385311620	KIT, DB VALVE 1-1/2"-BLACK (1)	17	385880085	KIT, CONTROL MOD-8600
7	385311721	KIT, BIDET FLUSH VALVE	18	385880080	KIT, ANTISIPHON VALVE M'FLUSH
8	385311722	KIT, BIDET NOZEL	19	385880071	KIT, 1-1/2" OUTLET EL-M'FLUSH
9	385311315	KIT, NIPPLE-RH THREADS 1-1/2"	20	385880072	KIT, 1" OUTLET FITTING-M'FLUSH
10	385311164	KIT, SEALING GROMMET 1/2"	21	385345377	KIT, SUPPLY HOSE-WHITE
11	385311018	KIT, PLUG-IN SUPPLY HOSE	N/S	385880081	KIT, HARNESS FLSH SW VIMAR - GEWISS
N/S	385880082	KIT, CABLE FLUSH SW TOUCHPAD			



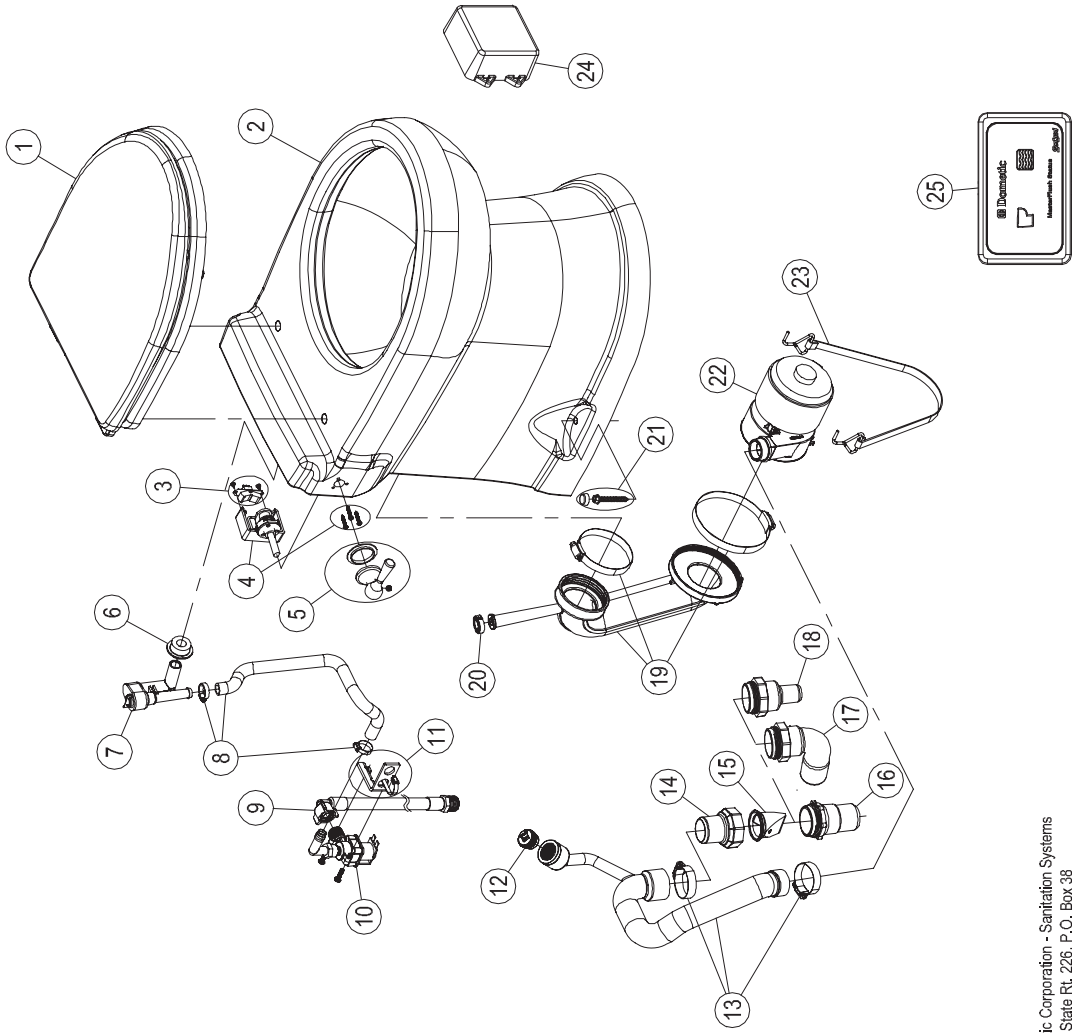
Dometic Corporation - Sanitation Systems  
13128 State Rt. 226, P.O. Box 38  
Big Prairie, OH 44611-0038 USA  
Telephone: 330-496-3211  
Fax: 330-496-3097  
Email: sealand@dometicusa.com

# PARTS LIST: 8700 TALL SERIES w/FLUSH SWITCH



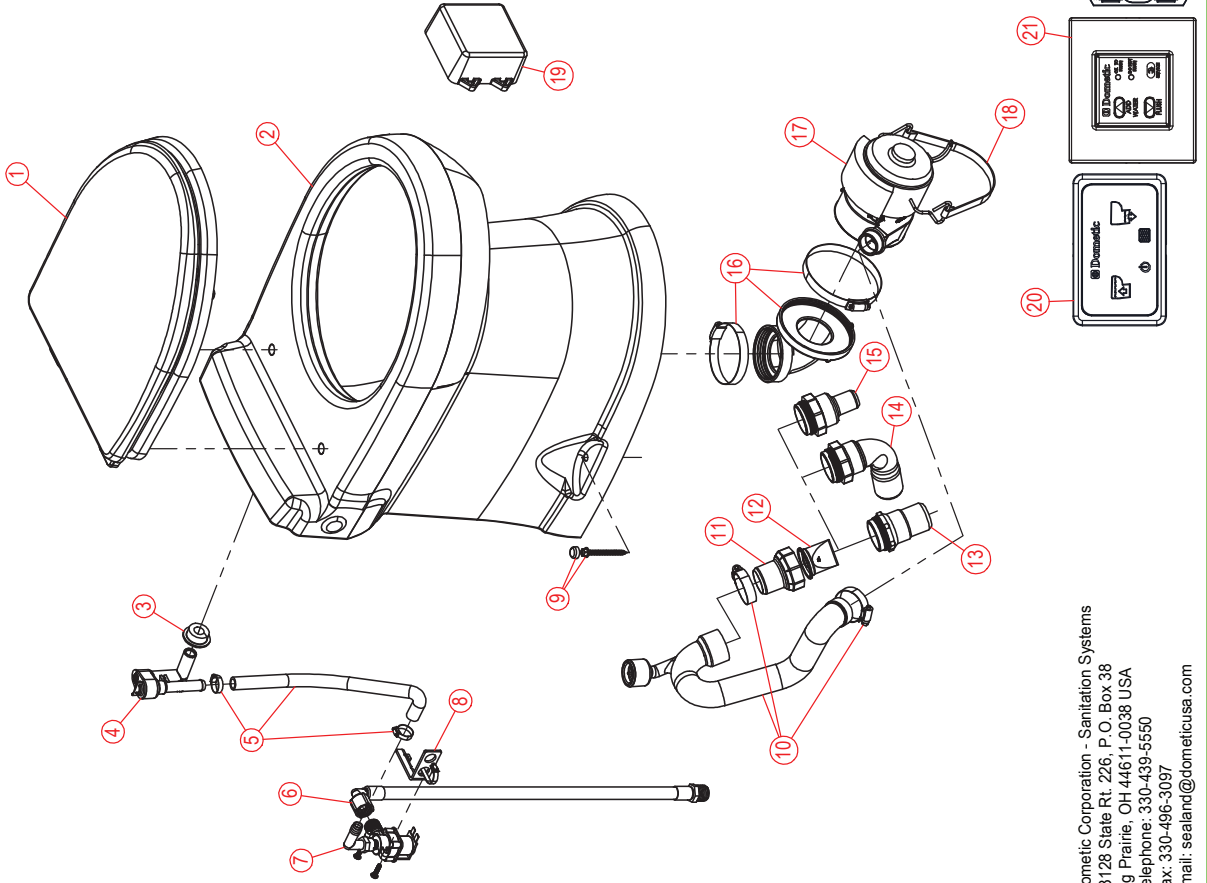
ITEM	PART NUMBER & DESCRIPTION
1	385311005 SEAT/COVER WOOD - WHITE 385311006 SEAT/COVER WOOD - BONE 385311597 SEAT/COVER WOOD - EBONY
2	385311934 8700 SERIES BOWL KIT - WHITE 385311935 8700 SERIES BOWL KIT - BONE 385311936 8700 SERIES BOWL KIT - EBONY
3	385311164 1/2" SEALING GROMMET
4	385311906 VACUUM BREAKER KIT **INCLUDES ITEM 3.
5	385345377 BOWL WATER SUPPLY HOSE
6	385311547 WATER SUPPLY HOSE REPLACEMENT
7	385311545 WATER VALVE KIT - 12VDC 385311546 WATER VALVE KIT - 24VDC
8	385311705 WATER VALVE MOUNTING BRACKET KIT
9	385880080 ANTISIPHON VALVE ASSEMBLY
10	385311706 DISCHARGE TUBE - 8700 SERIES **INCLUDES ITEM 9.
11	385880070 DISCHARGE TUBE VALVE ADAPTER
12	385311620 1-1/2" CHECK VALVE
13	385311315 1-1/2" VALVE ADAPTER
14	385880071 1-1/2" VALVE ADAPTER ELBOW
15	385880072 1" VALVE ADAPTER
16	385311708 BOWL OUTLET TUBE **INCLUDES ITEM 17.
17	385311707 BOWL OUTLET TUBE FLAPPER VALVE
18	385311022 BOWL MOUNTING HARDWARE
19	385880068 MOTORMACERATOR ASSY - 12VDC 385880069 MOTORMACERATOR ASSY - 24VDC
20	385311779 MOTORMAC MOUNTING STRAP
21	385311875 CONTROL MODULE 12/24VDC (DBH)
22	313600021 DOMETIC TOUCHPAD FLUSH SWITCH - WHITE 313600022 DOMETIC TOUCHPAD FLUSH SWITCH - BLACK
23	313600001 FLUSH SWITCH - VIMAR WHITE 313600002 FLUSH SWITCH - VIMAR GRAY
24	313600111 FLUSH SWITCH - GEWISS GRAY
NOT SHOWN	385880081 VIMAR/GEWISS FLUSH SWITCH WIRE HARNESS
NOT SHOWN	385880082 DOMETIC TOUCHPAD FLUSH SWITCH CABLE

# PARTS LIST: 8700 TALL SERIES w/FLUSH HANDLE



ITEM	PART NUMBER & DESCRIPTION
1	385311005 SEAT/COVER WOOD - WHITE
	385311006 SEAT/COVER WOOD - BONE
	385311597 SEAT/COVER WOOD - EBONY
2	385311934 8700 SERIES BOWL KIT - WHITE
	385311935 8700 SERIES BOWL KIT - BONE
	385311936 8700 SERIES BOWL KIT - EBONY
3	FLUSH HANDLE SWITCH w/WIRING HARNESS
4	FLUSH HANDLE ASSEMBLY **INCLUDES ITEM 3.
5	385310962 FLUSH HANDLE KIT - CHROME
	385310963 FLUSH HANDLE KIT - GOLD
	385311141 FLUSH HANDLE KIT - NICKLE
6	385311164 1/2" SEALING GROMMET
7	385311906 VACUUM BREAKER KIT **INCLUDES ITEM 6.
8	385345377 BOWL WATER SUPPLY HOSE
9	385311547 WATER SUPPLY HOSE REPLACEMENT
10	385311545 WATER VALVE KIT - 12VDC
	385311546 WATER VALVE KIT - 24VDC
11	385311705 WATER VALVE MOUNTING BRACKET KIT
12	385880080 ANTISIPHON VALVE ASSEMBLY
13	385311706 DISCHARGE TUBE - 8700 SERIES **INCLUDES ITEM 12.
14	385880070 DISCHARGE TUBE VALVE ADAPTER
15	385311620 1-1/2" CHECK VALVE
16	385311315 1-1/2" VALVE ADAPTER
17	385880071 1-1/2" VALVE ADAPTER ELBOW
18	385880072 1" VALVE ADAPTER
19	385311708 BOWL OUTLET TUBE **INCLUDES ITEM 20.
	385311707 BOWL OUTLET TUBE FLAPPER VALVE
21	385311022 BOWL MOUNTING HARDWARE
22	385880068 MOTORMACERATOR ASSY - 12VDC
23	385880069 MOTORMACERATOR ASSY - 24VDC
24	385311779 MOTORMAC MOUNTING STRAP
25	385311875 CONTROL MODULE 12/24VDC (DBH)
25	313722000 DOMETIC MASTERFLUSH STATUS PANEL-BLACK
	313722001 DOMETIC MASTERFLUSH STATUS PANEL-WHITE
NOT SHOWN	385311781 FLUSH SWITCH WIRE HARNESS - 8700 SERIES

## PARTS LIST: 8700 TALL SERIES w/ FLUSH SWITCH VERSION

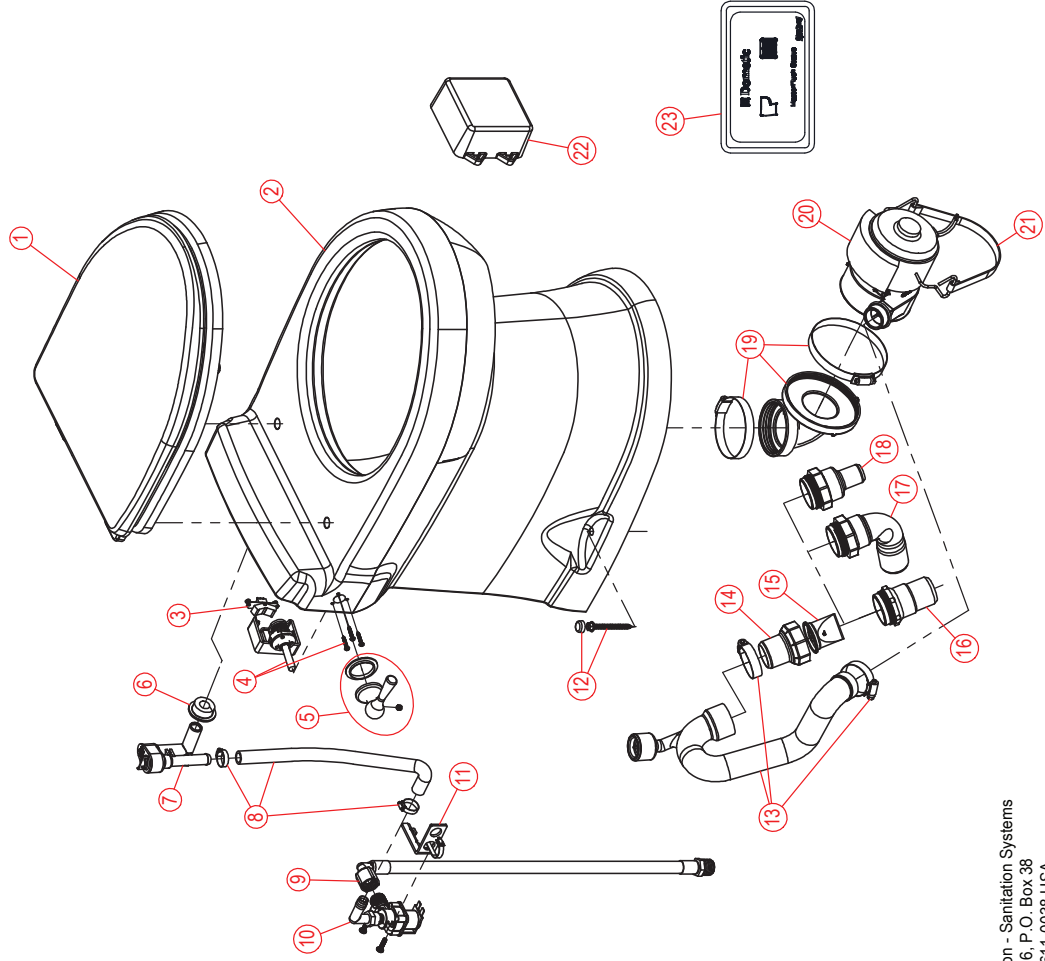


ITEM	PART NUMBER & DESCRIPTION
1	385311005 - SEAT/COVER WOOD - WHITE 385311006 - SEAT/COVER WOOD - BONE 385311597 - SEAT/COVER WOOD - EBONY
2	385312023 - 8700 BOTTOM DISCHARGE BOWL KIT-WHITE 385312024 - 8700 BOTTOM DISCHARGE BOWL KIT-BONE 385312025 - 8700 BOTTOM DISCHARGE BOWL KIT-EBONY
3	385311164 - 1/2" SEALING GROMMET
4	385316906 - VACUUM BREAKER KIT ***Includes Item #6.
5	385345377 - BOWL WATER SUPPLY HOSE **Includes Hose Clamps.
6	385311547 - WATER SUPPLY HOSE REPLACEMENT
7	385311545 - WATER VALVE KIT - 12VDC 385311546 - WATER VALVE KIT - 24VDC
8	385311705 - WATER VALVE MOUNTING BREAKER KIT
9	385311022 - BOWL MOUNTING HARDWARE
10	385311778 - DISCHARGE TUBE KIT **Includes Anti-Siphon Valve
11	385880070 - DISCHARGE TUBE VALVE ADAPTER
12	385311620 - 1-1/2" CHECK VALVE
13	385311315 - 1-1/2" VALVE ADAPTER
14	385880071 - 1-1/2" VALVE ADAPTER ELBOW
15	385880072 - 1" VALVE ADAPTER
16	385880067 - BOWL OUTLET ELBOW
17	385880068 - MOTORMACERATOR ASSY - 12VDC 385880069 - MOTORMACERATOR ASSY - 24VDC
18	385311779 - MACERATOR PUMP MOUNTING STRAP
19	385880085 - CONTROL MODULE 12/24VDC (DBL)
20	313600021 - DOMETIC TOUCHPAD FLUSH SWITCH - WHITE 313600022 - DOMETIC TOUCHPAD FLUSH SWITCH - BLACK
21**	313409010 - DOMETIC FLUSH CONTROL - STD GRAY 313409020 - DOMETIC FLUSH CONTROL - STD WHITE
22**	313409030 - DOMETIC FLUSH CONTROL-PLAYBUS GRAY
NOT SHOWN	385311781 - FLUSH SWITCH WIRE HARNESS-8700 SERIES

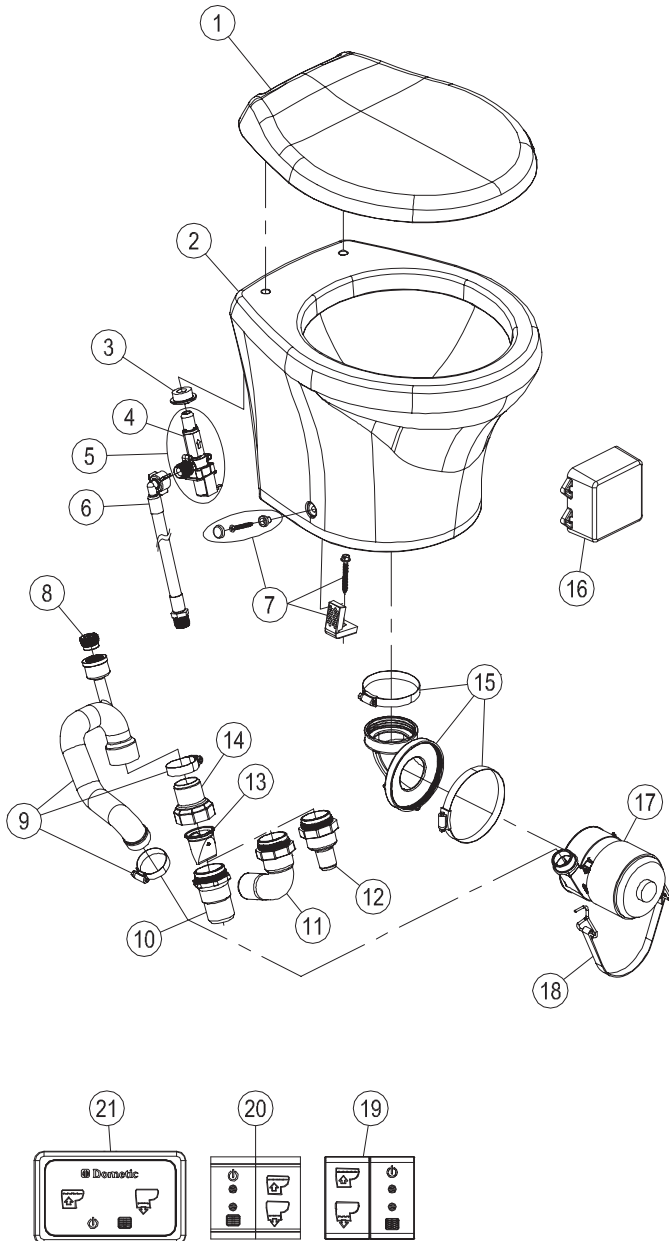
\*\*ITEMS 21 & 22 ARE OPTIONAL ACCESSORIES SOLD SEPARATELY & ARE NOT INCLUDED OR PROVIDED WITH EVERY MODEL.

## PARTS LIST: 8700 TALL SERIES w/ FLUSH HANDLE VERSION

ITEM	PART NUMBER & DESCRIPTION
1	385311005 - SEAT/COVER WOOD - WHITE 385311006 - SEAT/COVER WOOD - BONE 385311597 - SEAT/COVER WOOD - EBONY
2	385312023 - 8700 BOTTOM DISCHARGE BOWL KIT-WHITE 385312024 - 8700 BOTTOM DISCHARGE BOWL KIT-BONE 385312025 - 8700 BOTTOM DISCHARGE BOWL KIT-EBONY
3	38311703 - FLUSH HANDLE SWITCH w/WIRING HARNESS
4	385311704 - FLUSH HANDLE ASSEMBLY **Includes Item #3.
5	385310962 - FLUSH HANDLE KIT - CHROME 385310963 - FLUSH HANDLE KIT - GOLD 385311141 - FLUSH HANDLE KIT - NICKLE
6	385311164 - 1/2" SEALING GROMMET
7	385316906 - VACUUM BREAKER KIT **Includes Item #6.
8	385345377 - BOWL WATER SUPPLY HOSE **Includes Hose Clamps.
9	385311547 - WATER SUPPLY HOSE REPLACEMENT
10	385311545 - WATER VALVE KIT - 12VDC 385311546 - WATER VALVE KIT - 24VDC
11	385311705 - WATER VALVE MOUNTING BREAKER KIT
12	385311022 - BOWL MOUNTING HARDWARE
13	385311778 - DISCHARGE TUBE KIT **Includes Anti-Siphon Valve
14	385880070 - DISCHARGE TUBE VALVE ADAPTER
15	385311620 - 1-1/2" CHECK VALVE
16	385311315 - 1-1/2" VALVE ADAPTER
17	385880071 - 1-1/2" VALVE ADAPTER ELBOW
18	385880072 - 1" VALVE ADAPTER
19	385880067 - BOWL OUTLET ELBOW
20	385880068 - MOTOR/MACERATOR ASSY - 12VDC 385880069 - MOTOR/MACERATOR ASSY - 24VDC
21	385311779 - MACERATOR PUMP MOUNTING STRAP
22	385880085 - CONTROL MODULE 12/24VDC (DBL)
23	313722000 - DOMETIC MASTERFLUSH STATUS PNL-BLK
NOT SHOWN	385311781 - FLUSH SWITCH WIRE HARNESS-8700 SERIES

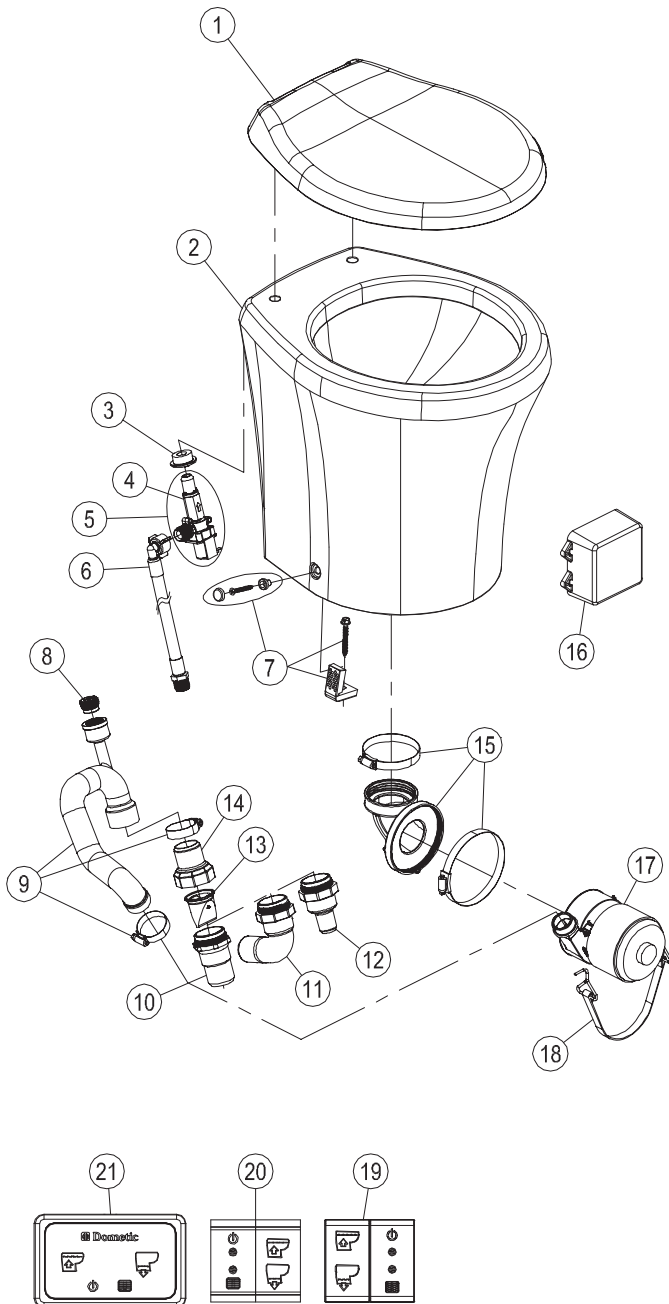


## PARTS LIST: 8900 SHORT SERIES



ITEM	PART NUMBER & DESCRIPTION
1	385311618 SEAT/COVER SLOW CLOSE - WHITE
	385311383 SEAT/COVER - BONE
	385311694 SEAT/COVER WOOD - WHITE
	385311695 SEAT/COVER WOOD - BONE
2	385880076 8900 SHORT SERIES BOWL KIT - WHITE
	385880077 8900 SHORT SERIES BOWL KIT - BONE
3	385311164 1/2" SEALING GROMMET
4	385880073 CHECKVALVE REPLACEMENT
5	385880074 WATER VALVE KIT - 12VDC
	385880075 WATER VALVE KIT - 24VDC **INCLUDES ITEM 3 & 4.
6	385311547 WATER SUPPLY HOSE REPLACEMENT
7	385311463 BOWL MOUNTING HARDWARE KIT
8	385880080 ANTISIPHON VALVE ASSEMBLY
9	385880065 DISCHARGE TUBE - SHORT SERIES **INCLUDES ITEM 8.
10	385311315 1-1/2" VALVE ADAPTER
11	385880071 1-1/2" VALVE ADAPTER ELBOW
12	385880072 1" VALVE ADAPTER
13	385311620 1-1/2" CHECK VALVE
14	385880070 DISCHARGE TUBE VALVE ADAPTER
15	385880067 BOWL OUTLET ELBOW
16	385880085 CONTROL MODULE 12/24VDC (DBL)
17	385880068 MOTOR/MACERATOR ASSY - 12VDC
	385880069 MOTOR/MACERATOR ASSY - 24VDC
18	385880083 MOTOR/MAC MOUNTING STRAP
19	313600111 FLUSH SWITCH - GEWISS GRAY
20	313600001 FLUSH SWITCH - VIMAR WHITE
	313600002 FLUSH SWITCH - VIMAR GRAY
21	313600021 DOMETIC TOUCHPAD FLUSH SWITCH - WHITE
	313600022 DOMETIC TOUCHPAD FLUSH SWITCH - BLACK
NOT SHOWN	385880082 DOMETIC TOUCHPAD FLUSH SWITCH CABLE
NOT SHOWN	385880081 VIMAR/GEWISS FLUSH SWITCH WIRE HARNESS

## PARTS LIST: 8900 TALL SERIES

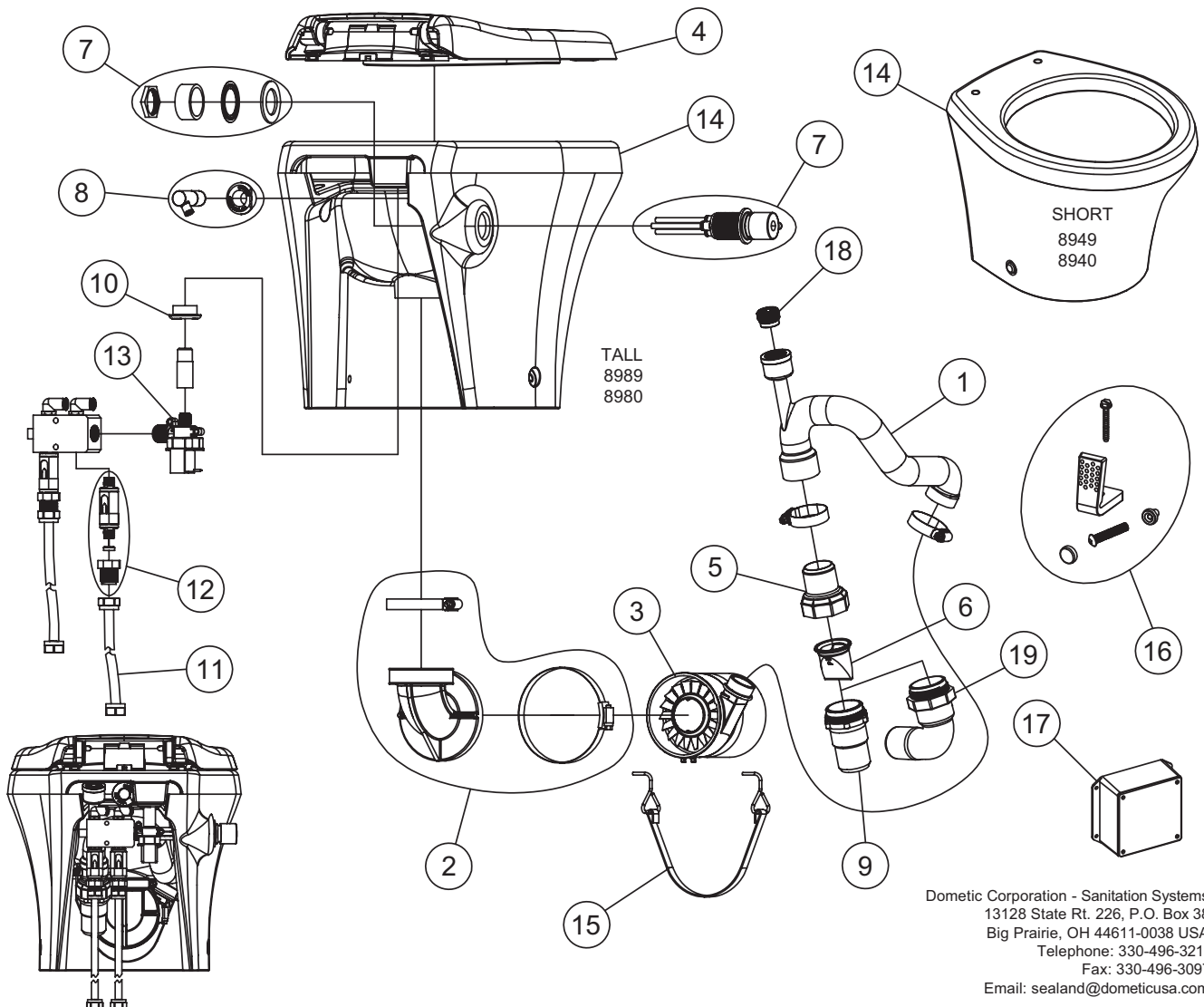


ITEM	PART NUMBER & DESCRIPTION
1	385311618 SEAT/COVER SLOW CLOSE - WHITE
	385311383 SEAT/COVER - BONE
	385311694 SEAT/COVER WOOD - WHITE
	385311695 SEAT/COVER WOOD - BONE
2	385880078 8900 TALL SERIES BOWL KIT - WHITE
	385880079 8900 TALL SERIES BOWL KIT - BONE
3	385311164 1/2" SEALING GROMMET
4	385880073 CHECKVALVE REPLACEMENT
5	385880074 WATER VALVE KIT - 12VDC
	385880075 WATER VALVE KIT - 24VDC **INCLUDES ITEM 3 & 4.
6	385311547 WATER SUPPLY HOSE REPLACEMENT
7	385311463 BOWL MOUNTING HARDWARE KIT
8	385880080 ANTISIPHON VALVE ASSEMBLY
9	385311778 DISCHARGE TUBE - TALL SERIES
	**INCLUDES ITEM 8.
10	385311315 1-1/2" VALVE ADAPTER
11	385880071 1-1/2" VALVE ADAPTER ELBOW
12	385880072 1" VALVE ADAPTER
13	385311620 1-1/2" CHECK VALVE
14	385880070 DISCHARGE TUBE VALVE ADAPTER
15	385880067 BOWL OUTLET ELBOW
16	385880085 CONTROL MODULE 12/24VDC (DBL)
17	385880068 MOTOR/MACERATOR ASSY - 12VDC
	385880069 MOTOR/MACERATOR ASSY - 24VDC
18	385880083 MOTOR/MAC MOUNTING STRAP
19	313600111 FLUSH SWITCH - GEWISS GRAY
20	313600001 FLUSH SWITCH - VIMAR WHITE
	313600002 FLUSH SWITCH - VIMAR GRAY
21	313600021 DOMETIC TOUCHPAD FLUSH SWITCH - WHITE
	313600022 DOMETIC TOUCHPAD FLUSH SWITCH - BLACK
NOT SHOWN	385880082 DOMETIC TOUCHPAD FLUSH SWITCH CABLE
NOT SHOWN	385880081 VIMAR/GEWISS FLUSH SWITCH WIRE HARNESS

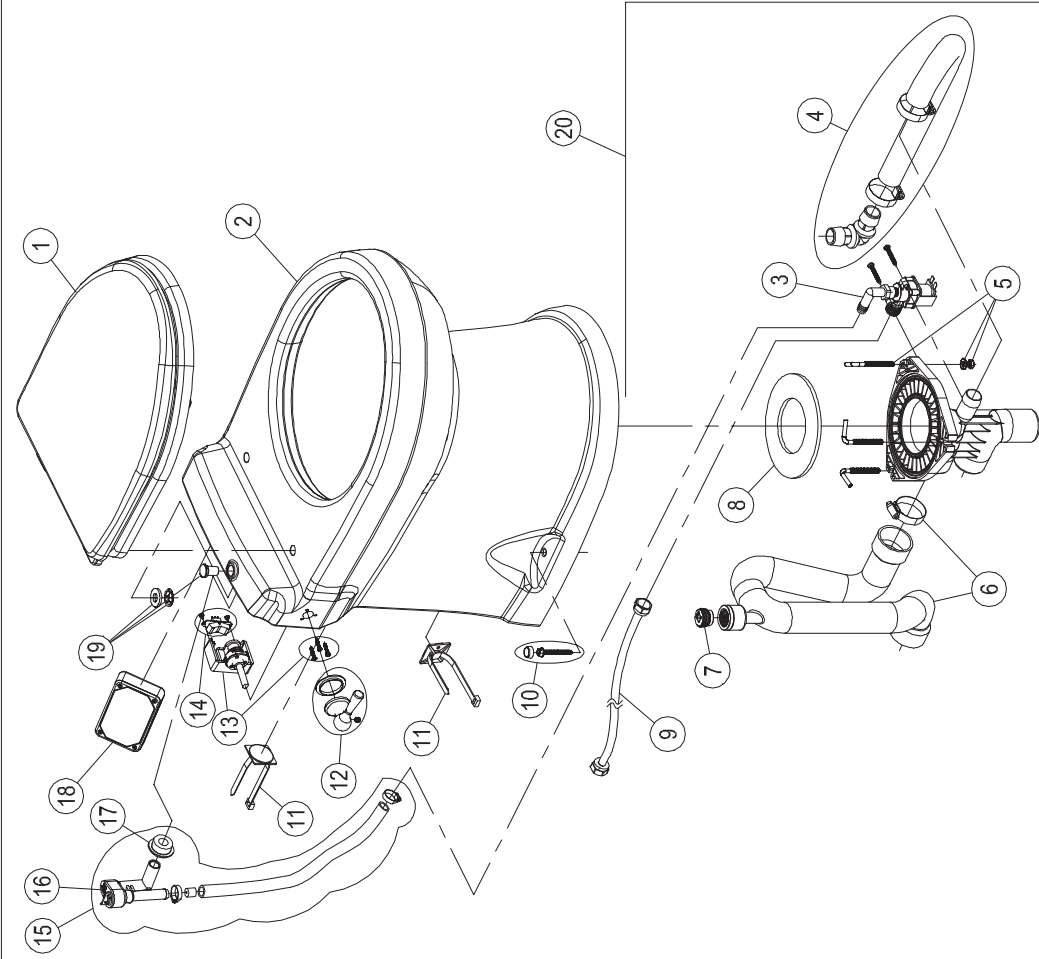


## PARTS LIST: 8900 SERIES WITH BIDET

ITEM	PART NO.	DESCRIPTION	ITEM	PART NO.	DESCRIPTION
1	385880065	KIT, TUBE OUTLET SHORT M'FLUSH	13	385880074	KIT, W'VALVE 12VDC M'FLUSH (INC. 10,12)
2	385880067	KIT, BOWL OUTLET M'FLUSH		385880075	KIT, W'VALVE 24VDC M'FLUSH (INC. 10,12)
3	385880068	KIT, MOTOR ASSEMBLY 12VDC M'FLUSH	14	385311723	KIT, BOWL 8900 SHORT COMBO WHITE
	385880069	KIT, MOTOR ASSEMBLY 24VDC M'FLUSH		385311724	KIT, BOWL 8900 SHORT COMBO BONE
4	385311618	KIT, SEAT/CVR SLOW-CLOSE/WHT		385311725	KIT, BOWL 8900 TALL COMBO WHITE
	385311694	KIT, SEAT/CV'R 4800 WOOD-WHITE		385311726	KIT, BOWL 8900 TALL COMBO BONE
5	385880070	KIT, ADAPTER M'FLUSH	15	385880083	KIT, STRAP MOTOR M'FLUSH
6	385311620	KIT, DB VALVE 1-1/2"-BLACK (1)	16	385311463	KIT, 4800 CHINA MTG
7	385311721	KIT, BIDET FLUSH VALVE	17	385880085	KIT, CONTROLE MODULE 8900 12/24VDC
8	385311722	KIT, BIDET NOZEL	18	385880080	KIT, ANTISIPHON VALVE M'FLUSH
9	385311315	KIT, NIPPLE-RH THREADS	19	385880071	KIT, 1-1/2" OUTLET EL-M'FLUSH
10	385311164	KIT, SEALING GROMMET 1/2"	N/S	385880081	KIT, HARNESS FLSH SW VIMAR - GEWISS
11	385311018	KIT, PLUG-IN SUPPLY HOSE	N/S	385880082	KIT, CABLE FLSH SW TOUCHPAD
12	385311727	KIT, BIDET CHECKVALVE			



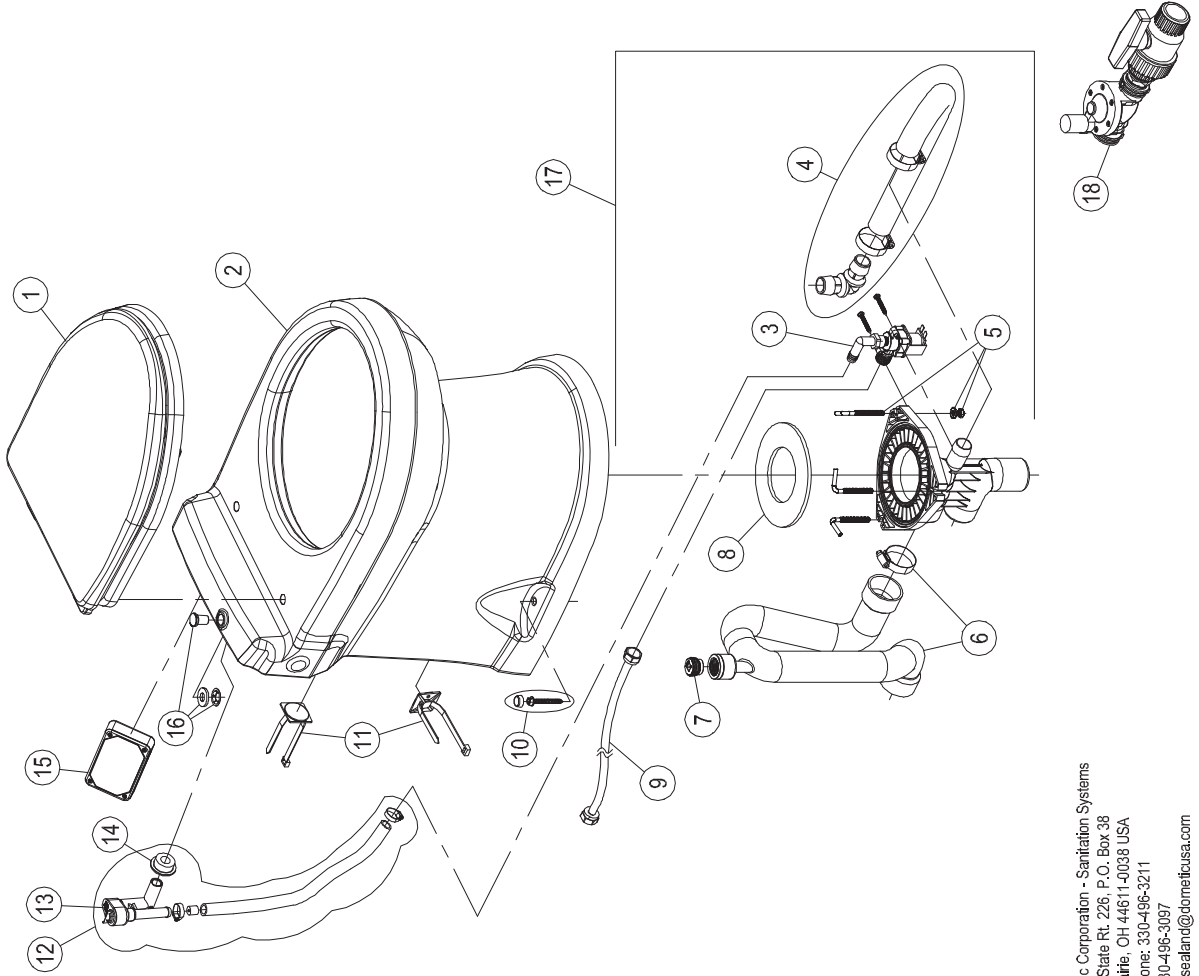
# PARTS LIST: 9300 MODEL SERIES (ABOVE-FLOOR DISCHARGE OPTION)



ITEM	PART NUMBER & DESCRIPTION
1	385311005 SEAT/COVER - WHITE 385311006 SEAT/COVER - BONE
2	385311730 9300 BOWL KIT - WHITE 385311731 9300 BOWL KIT - BONE **INCLUDES ITEM 5.
3	385311904 WATER VALVE KIT - 12VDC 385311905 WATER VALVE KIT - 24VDC
4	385311910 WATER JET INLET TUBE KIT
5	385311011 BASE TO BOWL MOUNTING HARDWARE
6	385311913 DISCHARGE TUBE-ABOVE FLOOR **INCLUDES ITEM 7.
7	385880080 ANTISIPHON VALVE REPLACEMENT
8	385311914 BASE SEAL REPLACEMENT
9	385311018 WATER SUPPLY HOSE
10	385311022 BOWL MOUNTING HARDWARE
11	385311915 COMPONENT MOUNTING STRAP KIT **KIT QUANTITY IS ONE SET.
12	385310962 FLUSH HANDLE KIT - CHROME 385310963 FLUSH HANDLE KIT - GOLD 385311411 FLUSH HANDLE KIT - NICKLE
13	385311916 FLUSH HANDLE MECHANISM KIT **INCLUDES ITEM 14.
14	385311917 FLUSH HANDLE SWITCH w/WIRING
15	385311918 VACUUM BREAKER KIT (COMPLETE)
16	385316906 VACUUM BREAKER KIT **INCLUDES ITEM 17.
17	385311164 1/2" SEALING GROMMET
18	385311919 CONTROL MODULE 12/24VDC
19	385311750 HOLE PLUG - WHITE 385311751 HOLE PLUG - BONE
20	385311922 93/9400 ABOVE FLOOR BASE KIT - 12VDC 385311923 93/9400 ABOVE FLOOR BASE KIT - 24VDC **INCLUDES ITEM 3-9.
21	385311924 JET VALVE ASSEMBLY - 12VDC 385311925 JET VALVE ASSEMBLY - 24VDC
NOT SHOWN	385311926 1-1/2" SWING CHECK VALVE

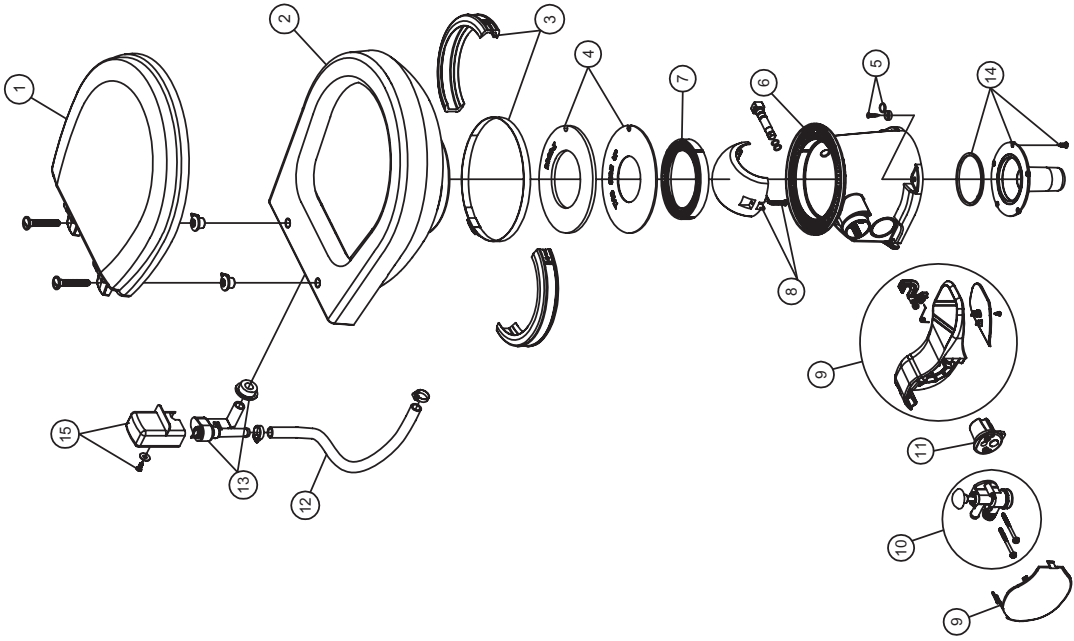
## PARTS LIST: 9400 MODEL SERIES (ABOVE-FLOOR DISCHARGE OPTION)

ITEM	PART NUMBER & DESCRIPTION
1	385311005 SEAT/COVER - WHITE 385311006 SEAT/COVER - BONE
2	385311730 9400 BOWL KIT - WHITE 385311731 9400 BOWL KIT - BONE **INCLUDES ITEM 5.
3	385311904 WATER VALVE KIT - 12VDC 385311905 WATER VALVE KIT - 24VDC
4	385311910 WATER JET INLET TUBE KIT
5	385311011 BASE TO BOWL MOUNTING HARDWARE
6	385311913 DISCHARGE TUBE-ABOVE FLOOR **INCLUDES ITEM 7.
7	385880080 ANTIPHON VALVE REPLACEMENT
8	385311914 BASE SEAL REPLACEMENT
9	385311018 WATER SUPPLY HOSE
10	385311022 BOWL MOUNTING HARDWARE
11	385311915 COMPONENT MOUNTING STRAP KIT **KIT QUANTITY IS ONE SET.
12	385311918 VACUUM BREAKER KIT (COMPLETE)
13	385316906 VACUUM BREAKER KIT **INCLUDES ITEM 14.
14	385311164 1/2" SEALING GROMMET
15	385311919 CONTROL MODULE 12/24VDC
16	385311750 HOLE PLUG - WHITE 385311751 HOLE PLUG - BONE
17	385311922 93/9400 ABOVE FLOOR BASE KIT - 12VDC 385311923 93/9400 ABOVE FLOOR BASE KIT - 24VDC **INCLUDES ITEM 3-9.
18	385311924 JET VALVE ASSEMBLY - 12VDC 385311925 JET VALVE ASSEMBLY - 24VDC
19	313600021 DOMETIC TOUCHPAD FLUSH SWITCH - WHITE 313600022 DOMETIC TOUCHPAD FLUSH SWITCH - BLACK 385311926 1-1/2" SWING CHECK VALVE
NOT SHOWN	



# PARTS LIST: ECOVAC 146 -147-148 -149

ITEM	PART NUMBER				DESCRIPTION
	146	147	148	149	
1	385344436			149	SEAT ASSEMBLY, WHITE
	385344437				SEAT ASSEMBLY, BONE
2	385310676				CHINA BOWL KIT, WHITE
	385310781				CHINA BOWL KIT, BONE
3	385310025				BAND AND HALF CLAMP, KIT WHITE
	385310048				BAND AND HALF CLAMP, KIT BONE
4	385311462				KIT, SEAL KIT-VACUFLUSH
	385310679				MOUNTING HARDWARE - WHITE
	385310785				MOUNTING HARDWARE - BONE
6	385311711	385310685	385310686	385310975	BASE KIT, WHITE (INC. 3-11 & 14)
	385311712	385310783	385310784	385310976	BASE KIT, BONE (INC 3-11 & 14)
7	385311292				KIT, BASE RING INSERT
8	385310954				KIT, BALL/BRASS SHAFT/P CART (INC. 11)
9	385310682				PEDAL KIT, WHITE (INC. 11)
	385310762				PEDAL KIT, BONE (INC. 11)
10	385314349				WATER VALVE, KIT
11	385310683				SPRING CARTRIDGE, KIT
12	385340177				HOSE, SUPPLY - BONE.
	385345377				HOSE, SUPPLY - WHITE
13	385310687				VACUUM BREAKER, KIT
14	385311713	385310680	385310680	385310936	DISCHARGE KIT
		385310696			VACUUM BREAKER COVER WHITE
15		385310782			VACUUM BREAKER COVER BONE

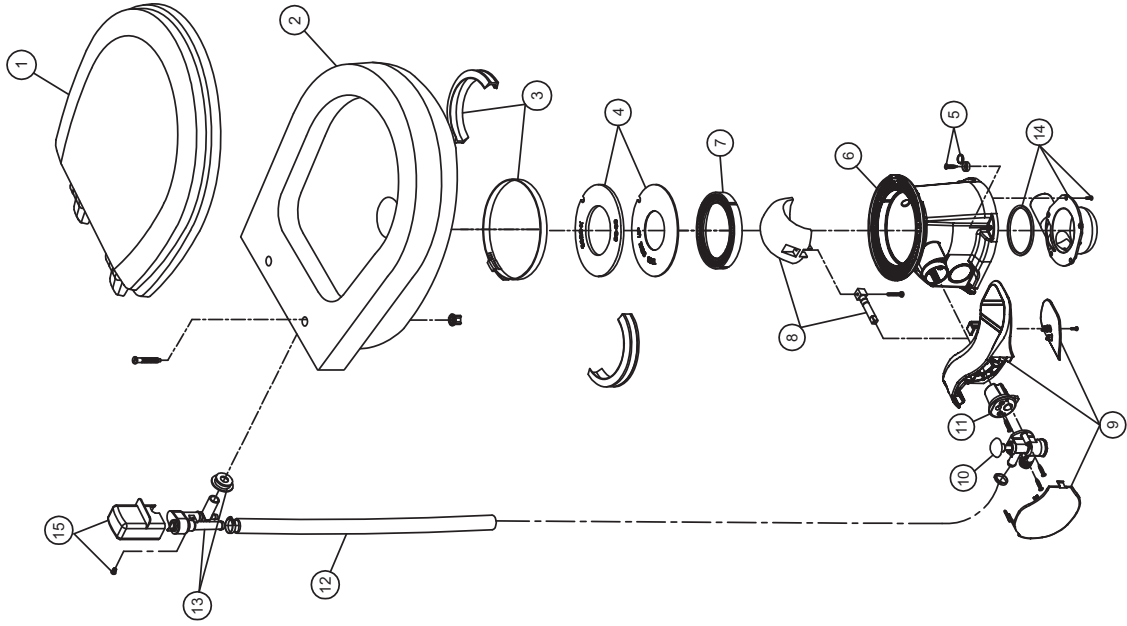


TOILET MODEL	DISCHARGE LOCATION
146	THROUGH THE FLOOR
147	OPPOSITE PEDAL
148	REAR OF TOILET
149	UNDER PEDAL

**Dometic** *Sanitrol*  
Dometic Corporation - Sanitation Systems  
13128 State Rt. 226, P.O. Box 38  
Big Prairie, OH 44611-0038 USA  
Telephone: 330-496-3211  
Fax: 330-496-3097  
Email: sealand@dometicus.com

# PARTS LIST: ECOVAC 157-158-159

ITEM	PART NUMBER			DESCRIPTION
	157	158	159	
1	385344436			SEAT ASSEMBLY, WHITE
	385344437			SEAT ASSEMBLY, BONE
2	385310676			CHINA BOWL KIT, WHITE
	385310781			CHINA BOWL KIT, BONE
3	385310025			BAND AND HALF CLAMP, KIT WHITE
	385310048			BAND AND HALF CLAMP, KIT BONE
4	385316140			SEAL REPLACEMENT, KIT
5	385310679			MOUNTING HARDWARE - WHITE
	385310785			MOUNTING HARDWARE - BONE
6	385311446	385311451	385311453	BASE KIT, WHITE (INC. 3-11 & 14)
	385311447	385311452	385311454	BASE KIT, BONE (INC. 3-11 & 14)
7	385311292			BASE RING
8	385310954			KIT, BALL/BRASS SHAFT/TIP CART (INC. 11)
9	385311448			PEDAL KIT, WHITE (INC. 11)
	385311449			PEDAL KIT, BONE (INC. 11)
10	385314349			WATER VALVE, KIT
11	385310683			SPRING CARTRIDGE, KIT
12	385340177			HOSE, SUPPLY - BONE.
	385345377			HOSE, SUPPLY - WHITE
13	385310687			VACUUM BREAKER, KIT
14	385310680	385310680	385310936	DISCHARGE KIT
		385310696		VACUUM BREAKER COVER WHITE
15		385310782		VACUUM BREAKER COVER BONE

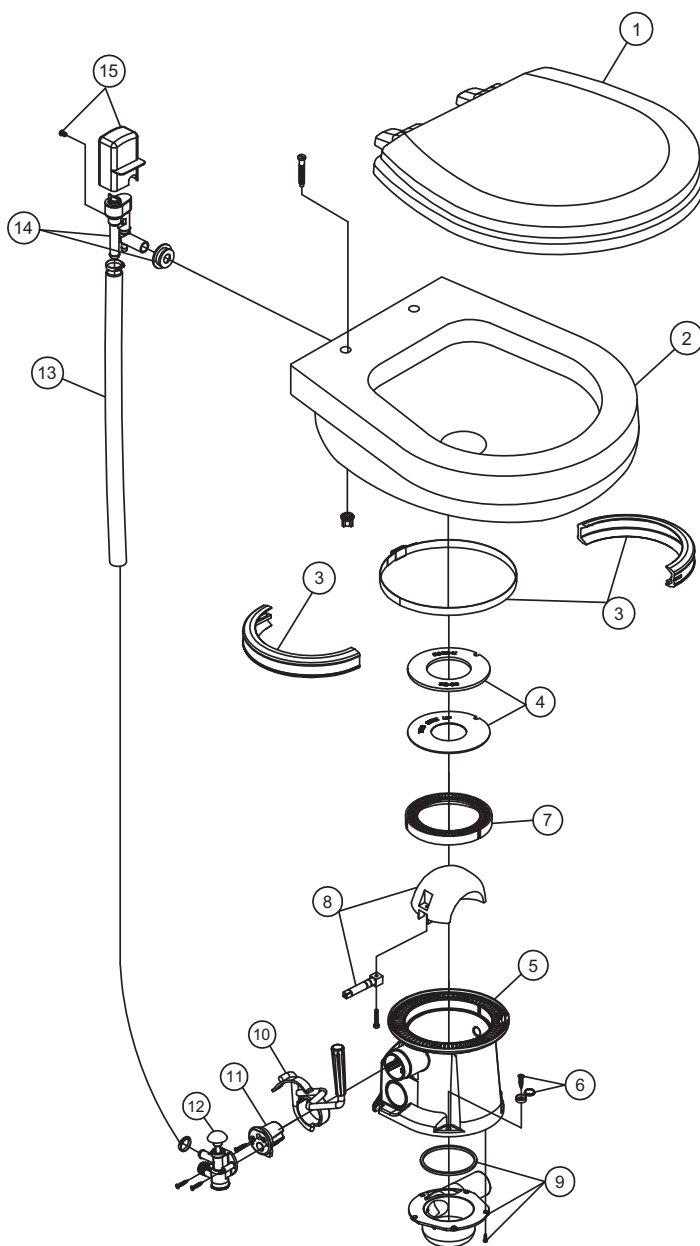


TOILET MODEL	DISCHARGE LOCATION
157	OPPOSITE PEDAL
158	REAR OF TOILET
159	UNDER PEDAL

**Dometic** *Seaford*  
 Dometic Corporation - Sanitation Systems  
 13128 State Rt. 226, P.O. Box 38  
 Big Prairie, OH 44611-0038 USA  
 Telephone: 330-496-3211  
 Fax: 330-496-3097  
 Email: [sealand@dometicus.com](mailto:sealand@dometicus.com)

## PARTS LIST: VACUFLUSH 168

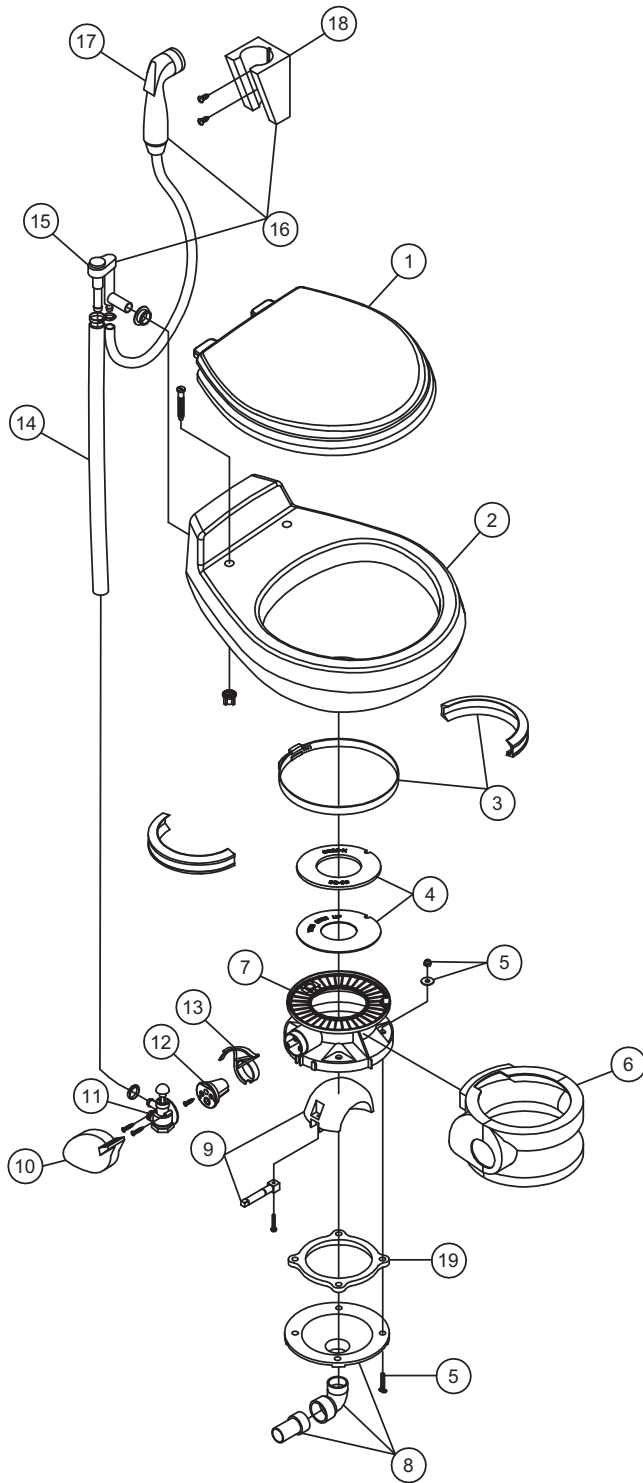
ITEM	PART NO.	DESCRIPTION	ITEM	PART NO.	DESCRIPTION
1	385344436	SEAT & LID ASSEMBLY, WHITE	9	385310680	KIT, DISCHARGE
2	385310676	CHINA BOWL, WHITE	10	385311204	HAND FLUSH KIT- (inc.item 11)
3	385310025	HALF CLAMP KIT, WHITE	11	385236096	SPRING CARTRIDGE KIT
4	385311462	RUBBER SEAL KIT	12	385314349	WATER VALVE KIT
5	385311158	BASE KIT, WHITE (inc. items 3 -12)	13	385345377	SUPPLY HOSE, WHITE
6	385310679	MOUNTING KIT	14	385310687	VACUUM BREAKER KIT
7	385311292	RING, BASE INSERT	15	385310696	VACUUM BREAKER COVER
8	385318162	BALL/SHAFT/CARTRIDGE KIT (inc. item 11)			



**Dometic** *Sealand*

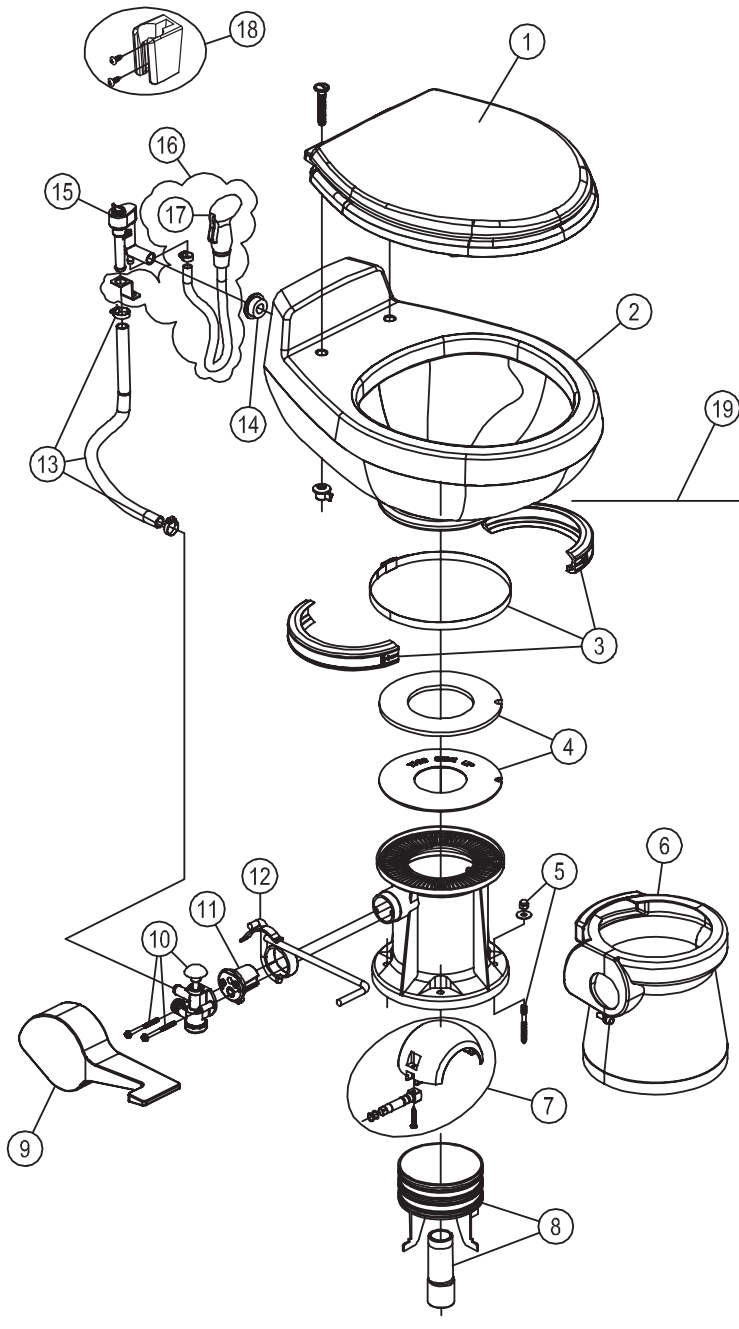
Dometic Corporation - Sanitation Systems  
13128 State Rt. 226, P.O. Box 38  
Big Prairie, OH 44611-0038 USA  
Telephone: 330-496-3211  
Fax: 330-496-3097  
Email: sealand@dometicusa.com

# PARTS LIST: 506+



ITEM	PART NO.	DESCRIPTION
1	385343829	KIT, SEAT-CV'R 500+ - WHITE
	385343831	KIT, SEAT-CV'R 500+ - BONE
	385343897	KIT, SEAT-CV'R 500+ - PLAT
	385343901	KIT, SEAT-CV'R 500+ - EBONY
2	385310739	CHINA BOWL KIT, WHITE
	385310740	CHINA BOWL KIT, BONE
	385310741	CHINA BOWL KIT, PLATINUM
	385310742	CHINA BOWL KIT, EBONY
3	385310048	BAND AND HALF CLAMP, KIT
4	385311462	SEAL REPLACEMENT , KIT
5	385310064	MOUNTING HARDWARE
6	385310108	PEDESTAL COVER KIT , WHITE
	385310109	PEDESTAL COVER KIT , BONE
	385310110	PEDESTAL COVER KIT , PLATINUM
	385310600	PEDESTAL COVER KIT , EBONY
7	385310132	BASE KIT, WHITE (inc items 3-13 & 19)
	385310133	BASE KIT, BONE (inc items 3-13 & 19)
	385310134	BASE KIT, PLATINUM (inc items 3-13 & 19)
	385310607	BASE KIT, EBONY (inc items 3-13 & 19)
8	385318864	FUNNEL, KIT (inc. item 5 & 19)
9	385318162	KIT,BALL,SHAFT & CART, WHITE(inc. item 12)
	385310177	KIT,BALL,SHAFT & CART, EBONY(inc. item 12)
10	385310117	PEDAL COVER, WHITE
	385310118	PEDAL COVER, BONE
	385310119	PEDAL COVER, PLATINUM
	385310593	PEDAL COVER, EBONY
11	385314349	WATER VALVE, KIT
12	385236096	SPRING CARTRIDGE, KIT
13	385310579	PEDAL, CARTRIDGE, KIT (inc. item 12)
14	385340177	HOSE, SUPPLY - BONE, EBONY, PLAT
	385345377	HOSE, SUPPLY - WHITE
15	385316906	VACUUM BREAKER, KIT - WITHOUT SPRAY
	385230335	VACUUM BREAKER, KIT - WITH SPRAY
16	385319056	VACUUM BREAKER,SPR & BRK,KIT CHROME
	385319057	VACUUM BREAKER,SPR & BRK,KIT EBONY
17	385310873	HAND SPRAY, EBONY
	385310809	HAND SPRAY, CHROME
18	385311125	BRACKET, HAND SPRAY EBONY
	385311131	BRACKET, HAND SPRAY CHROME
19	385310063	FLOOR FLANGE, KIT (inc. item 5)

## PARTS LIST: VACUFLUSH 508+ SERIES

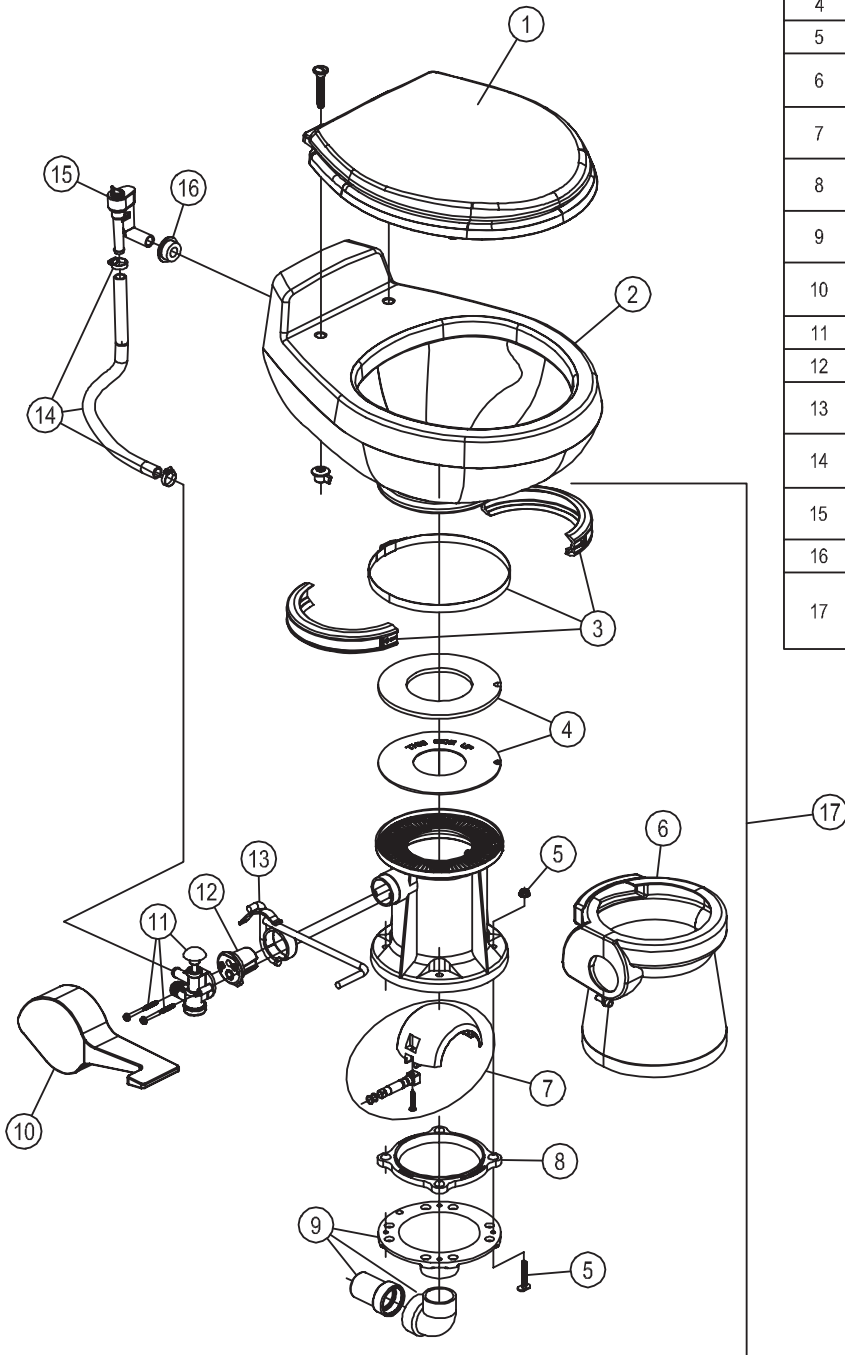


ITEM	PART NUMBER & DESCRIPTION
1	385343829 SEAT/COVER - WHITE
	385343831 SEAT/COVER - BONE
	385343897 SEAT/COVER - PLATINUM
	385343901 SEAT/COVER - EBONY
2	385310739 CHINA BOWL KIT - WHITE
	385310740 CHINA BOWL KIT - BONE
	385310741 CHINA BOWL KIT - PLATINUM
	385310742 CHINA BOWL KIT - EBONY
3	385310048 BOWL/BASE CLAMP KIT
4	385311462 FLUSH BALL SEAL REPL KIT
5	385316323 MOUNTING HARDWARE
6	385310111 PEDESTAL COVER - WHITE
	385310112 PEDESTAL COVER - BONE
	385310113 PEDESTAL COVER - PLATINUM
	385310173 PEDESTAL COVER - EBONY
7	385318162 FLUSH BALL, SHAFT, CARTRIDGE KIT-WHITE
	385310177 FLUSH BALL, SHAFT, CARTRIDGE KIT-EBONY **INCLUDES ITEM 11.
8	385318741 '08 DISCHARGE FUNNEL KIT
9	385310114 PEDAL COVER - WHITE
	385310115 PEDAL COVER - BONE
	385310116 PEDAL COVER - PLATINUM
	385310175 PEDAL COVER - EBONY
10	385314349 WATER VALVE KIT
11	385236096 SPRING CARTRIDGE KIT
12	385310578 PEDAL/LEVER & CARTRIDGE KIT **INCLUDES ITEM 11.
13	385345377 BOWL WATER SUPPLY HOSE - WHITE
	385340177 BOWL WATER SUPPLY HOSE - BONE
14	385311164 1/2" SEALING GROMMET
15	385316906 VACUUM BREAKER KIT
	385230335 VACUUM BREAKER KIT w/HAND SPRAY **INCLUDES ITEM 14.
16*	385319056 HAND SPRAY KIT w/VAC BREAKER-WHT
	385319057 HAND SPRAY KIT W/VAC BREAKER-EBY **INCLUDES ITEM 14, 15, 17
17*	385310809 HAND SPRAYER - CHROME
	385310873 HAND SPRAYER - EBONY **INCLUDES ITEM 18.
18*	385311131 HAND SPRAY BRACKET w/SCREWS - CHROME
	385311125 HAND SPRAY BRACKET w/SCREWS - EBONY
19	385310126 '08 BASE KIT METAL LEVER - WHITE
	385310127 '08 BASE KIT METAL LEVER - BONE
	385310128 '08 BASE KIT METAL LEVER - PLATINUM
	385310171 '08 BASE KIT METAL LEVER - EBONY **INCLUDES ITEMS 3-12

\* ITEMS 16, 17, & 18 ARE OPTIONAL ACCESSORIES;  
NOT PROVIDED WITH EVERY MODEL.

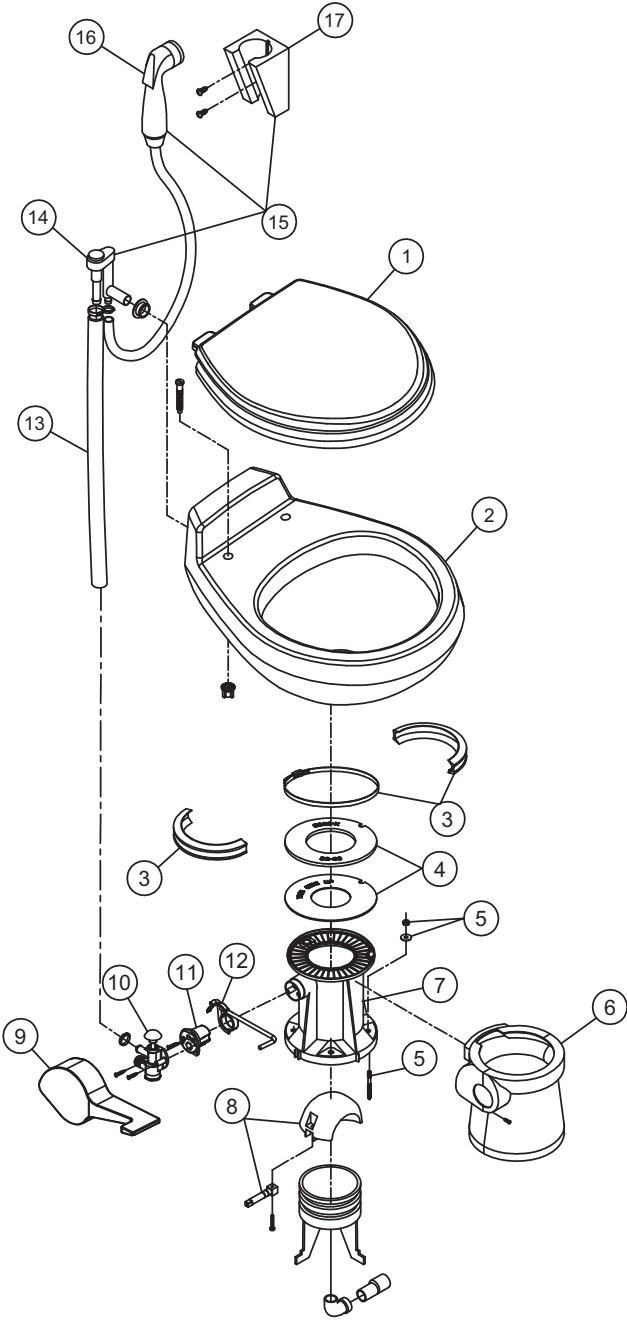


## PARTS LIST: VACUFLUSH 509+ SERIES



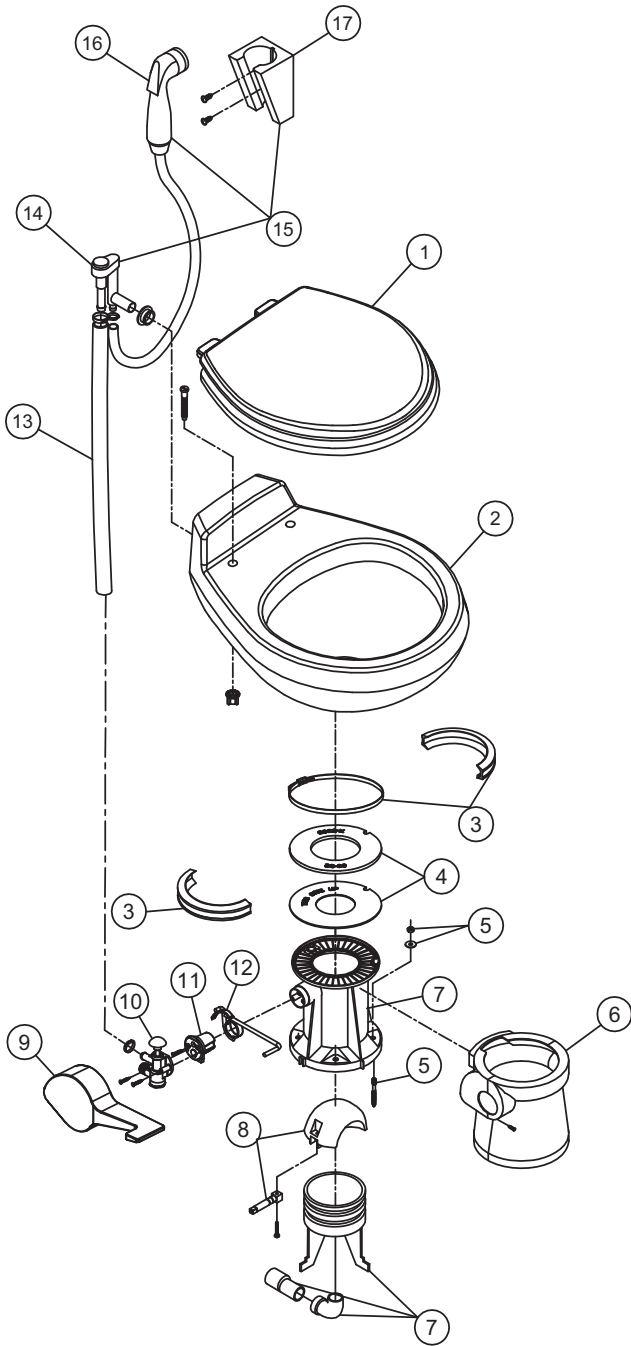
ITEM	PART NUMBER & DESCRIPTION
1	385343829 SEAT/COVER - WHITE 385343831 SEAT/COVER - BONE
2	385310739 CHINA BOWL KIT - WHITE 385310740 CHINA BOWL KIT - BONE
3	385310048 BOWL/BASE CLAMP KIT
4	385311462 FLUSH BALL SEAL REPL KIT
5	385310064 MOUNTING HARDWARE
6	385310111 PEDESTAL COVER - WHITE 385310112 PEDESTAL COVER - BONE
7	385318162 FLUSH BALL, SHAFT, CARTRIDGE KIT **INCLUDES ITEM 12
8	385310063 FLOOR FLANGE SEAL **INCLUDES ITEM 5
9	385318864 FUNNEL KIT ('06/'09 MODELS) **INCLUDES ITEM 5 & 8
10	385310114 PEDAL COVER - WHITE 385310115 PEDAL COVER - BONE
11	385314349 WATER VALVE KIT
12	385236096 SPRING CARTRIDGE KIT
13	385310578 PEDAL/LEVER & CARTRIDGE KIT **INCLUDES ITEM 12
14	385345377 BOWL WATER SUPPLY HOSE - WHITE 385340177 BOWL WATER SUPPLY HOSE - BONE
15	385316906 VACUUM BREAKER KIT **INCLUDES ITEM 16
16	385311164 1/2" SEALING GROMMET
17	385311772 '09 BASE KIT METAL LEVER - WHITE 385311892 '09 BASE KIT METAL LEVER - BONE **INCLUDES ITEMS 3-13

**PARTS LIST: 547+**



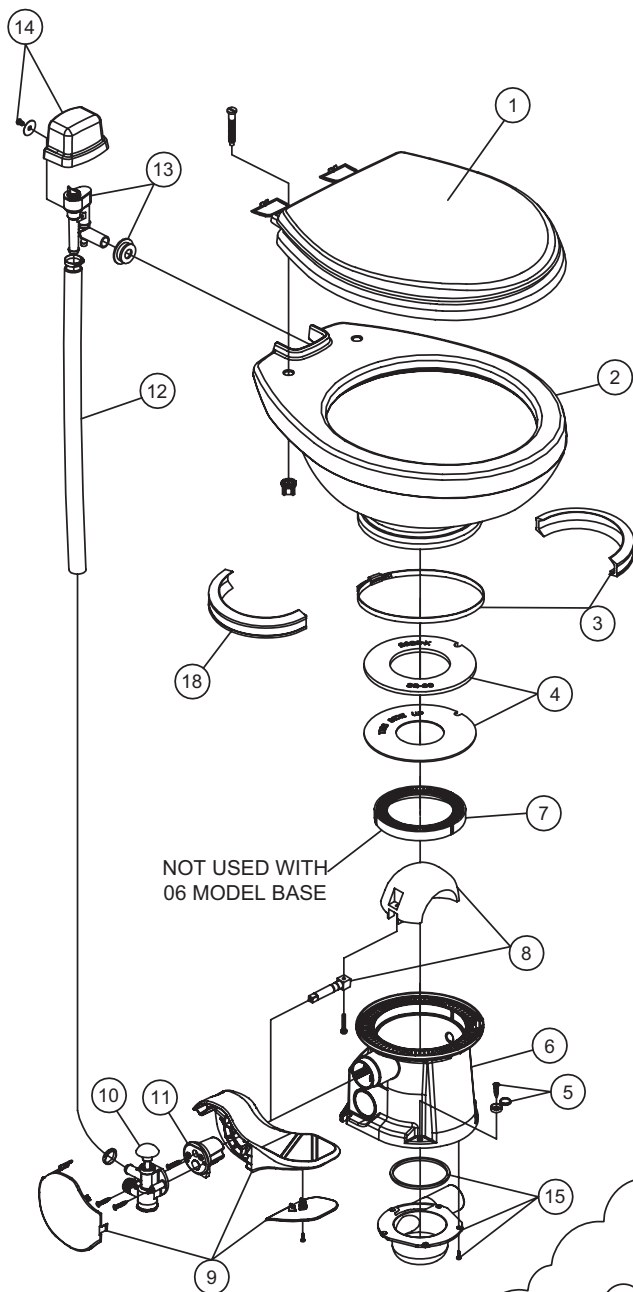
ITEM	PART NO.	DESCRIPTION
1	385343829	KIT, SEAT-CV'R 500+ - WHITE
	385343831	KIT, SEAT-CV'R 500+ - BONE
	385343897	KIT, SEAT-CV'R 500+ - PLAT
	385343901	KIT, SEAT-CV'R 500+ - EBONY
2	385310739	CHINA BOWL KIT, WHITE
	385310740	CHINA BOWL KIT, BONE
	385310741	CHINA BOWL KIT, PLATINUM
	385310742	CHINA BOWL KIT, EBONY
3	385310048	BAND AND HALF CLAMP, KIT
4	385311462	SEAL REPLACEMENT , KIT
5	385316323	MOUNTING HARDWARE
6	385310674	PEDESTAL COVER KIT , WHITE
	385310613	PEDESTAL COVER KIT , BONE
	385310745	PEDESTAL COVER KIT , PLATINUM
	385310746	PEDESTAL COVER KIT , EBONY
7	385310665	BASE KIT, WHITE (inc items 3-12)
	385310614	BASE KIT, BONE (inc items 3-12)
	385310748	BASE KIT, PLATINUM (inc items 3-12)
	385310749	BASE KIT, EBONY (inc items 3-12)
8	385318162	KIT,BALL,SHAFT & CART, WHITE(inc. item 11)
	385310177	KIT,BALL,SHAFT & CART, EBONY(inc. item 11)
9	385310114	PEDAL COVER, WHITE
	385310115	PEDAL COVER, BONE
	385310116	PEDAL COVER, PLATINUM
	385310175	PEDAL COVER, EBONY
10	385314349	WATER VALVE, KIT
11	385236096	SPRING CARTRIDGE, KIT
12	385310578	PEDAL, CARTRIDGE, KIT (inc. item 11)
13	385340177	HOSE, SUPPLY - BONE, EBONY, PLAT
	385345377	HOSE, SUPPLY - WHITE
14	385316906	VACUUM BREAKER, KIT - WITHOUT SPRAY
	385230335	VACUUM BREAKER, KIT - WITH SPRAY
15	385319056	VACUUM BREAKER,SPRAY & BRACKET,CHRM
	385319057	VACUUM BREAKER,SPRAY & BRACKET,EBY
16	600340683	HAND SPRAY, WHITE
	600341770	HAND SPRAY, EBONY
17	385311131	BRACKET, HAND SPRAY-CHROME
	385311125	BRACKET, HAND SPRAY EBONY

**PARTS LIST: 548+**

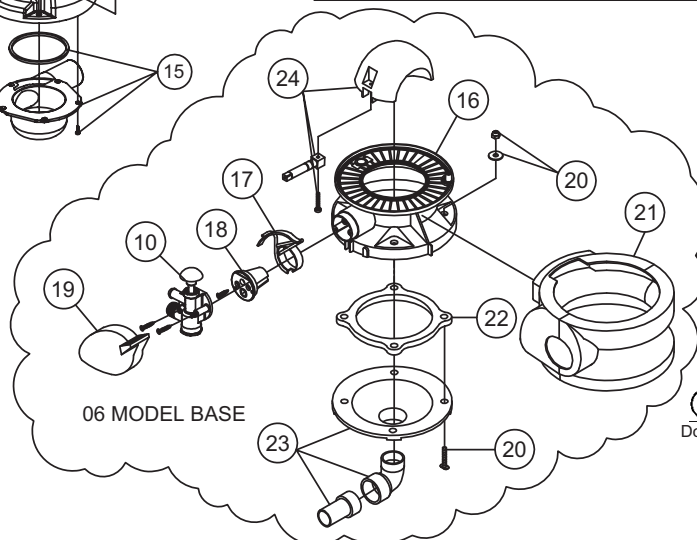


ITEM	PART NO.	DESCRIPTION
1	385343829	KIT, SEAT-CV'R 500+ - WHITE
	385343831	KIT, SEAT-CV'R 500+ - BONE
	385343897	KIT, SEAT-CV'R 500+ - PLAT
	385343901	KIT, SEAT-CV'R 500+ - EBONY
2	385310739	CHINA BOWL KIT, WHITE
	385310740	CHINA BOWL KIT, BONE
	385310741	CHINA BOWL KIT, PLATINUM
	385310742	CHINA BOWL KIT, EBONY
3	385310048	BAND AND HALF CLAMP, KIT
4	385311462	SEAL REPLACEMENT , KIT
5	385316323	MOUNTING HARDWARE
6	385310136	PEDESTAL COVER KIT , WHITE
	385310137	PEDESTAL COVER KIT , BONE
	385310138	PEDESTAL COVER KIT , PLATINUM
	385310174	PEDESTAL COVER KIT , EBONY
7	385310129	BASE KIT, WHITE (inc items 3-12)
	385310130	BASE KIT, BONE (inc items 3-12)
	385310131	BASE KIT, PLATINUM (inc items 3-12)
	385310172	BASE KIT, EBONY (inc items 3-12)
8	385318162	KIT,BALL,SHAFT & CART, WHITE(inc. item 11)
	385310177	KIT,BALL,SHAFT & CART, EBONY(inc. item 11)
9	385310114	PEDAL COVER, WHITE
	385310115	PEDAL COVER, BONE
	385310116	PEDAL COVER, PLATINUM
	385310175	PEDAL COVER, EBONY
10	385314349	WATER VALVE, KIT
11	385236096	SPRING CARTRIDGE, KIT
12	385310578	PEDAL, CARTRIDGE, KIT (inc. item 11)
13	385340177	HOSE, SUPPLY - BONE, EBONY, PLAT
	385345377	HOSE, SUPPLY - WHITE
14	385316906	VACUUM BREAKER, KIT - WITHOUT SPRAY
	385230335	VACUUM BREAKER, KIT - WITH SPRAY
15	385319056	VACUUM BREAKER,SPRAY & BRACKET,CHR
	385319057	VACUUM BREAKER,SPRAY & BRACKET,EBY
16	385310809	HAND SPRAY, CHROME
	385310873	HAND SPRAY, EBONY
17	385311131	BRACKET, HAND SPRAY-CHROME
	385311125	BRACKET, HAND SPRAY EBONY

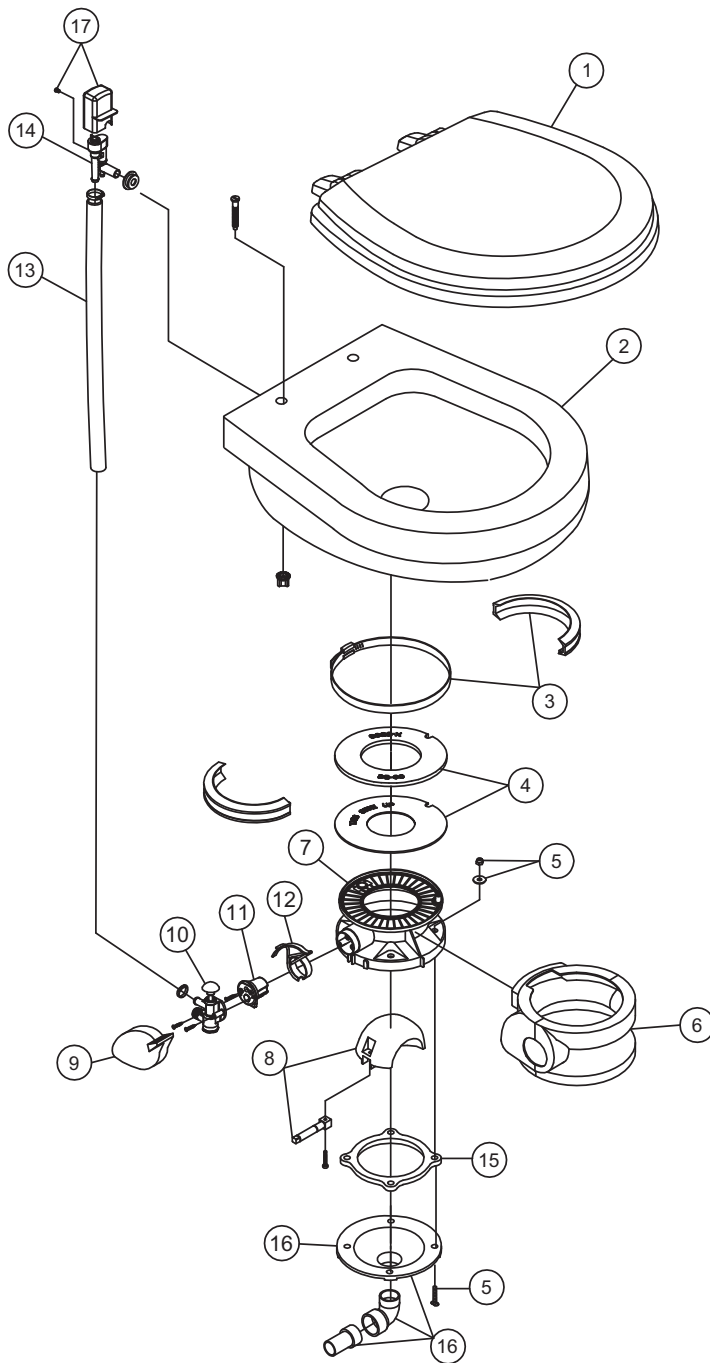
# PARTS LIST: VACUFLUSH 606 - 647 - 648



ITEM	PART NUMBER		DESCRIPTION
	647	648	
1	385343829		KIT, SEAT-CV'R 500+ -WHITE
	385343831		KIT, SEAT-CV'R 500+ -BONE
2	385310790		KIT, BOWL TRAVELER LITE/WHITE
	385310791		KIT, BOWL TRAVELER LITE/BONE
3	385310025		KIT, HALF CLAMP-WHITE
	385310048		KIT, HALF CLAMP-BONE
4	385311462		KIT, SEAL KIT-VACUFLUSH
5	385310679		KIT, MOUNTING-ECOVAC - WHITE
	385310785		KIT, MOUNTING-ECOVAC - BONE
6	385310685	385310686	BASE KIT , WHITE (INC. 3 -11&15)
	385310783	385310784	BASE KIT , BONE (INC. 3 -11&15)
7	385311292		KIT, BASE RING INSERT
8	385310954		KIT, BALL/BRASS SHAFT/P CART (INC. 11)
9	385310682		KIT, ECOVAC PEDAL/CART-WHT (INC. 11)
	385310762		KIT, PEDAL ECOVAC/110-BONE (INC. 11)
10	385314349		KIT, WATER VALVE
11	385310683		KIT, SPRING CARTRIDGE-ECOVAC
12	385340177		KIT, SUPPLY HOSE-BONE
	385345377		KIT, SUPPLY HOSE-WHITE
13	385310687		KIT, VAC BRK-ECOVAC
14	385310795		KIT, VAC BREAKER COVER/TL/WHT
	385310796		KIT, VAC BREAKER COVER/TL/BONE
15	385310680		KIT, DISCHARGE 147/148-ECOVAC
	385310936		KIT, DISCHARGE 149-ECOVAC
<b>606 MODEL REPLACEMENT PARTS</b>			
16	385310132		KIT, 506/806/706 BASE-WHT (INC.3 -11&15)
	385310133		KIT, 506/806/706BASE-BONE (INC. 3 -11&15)
17	385310579		KIT, LEVER/CART-SHORT BASE
18	385236096		KIT, SPRING CARTRIDGE
19	385310117		KIT, SHORT PEDAL COVER-WHT
	385310118		KIT, SHORT PEDAL COVER-BONE
20	385310064		KIT, MOUNT-TRAVELER-506/806
21	385310108		KIT, SHORT BASE COVER-WHITE
	385310109		KIT, SHORT BASE COVER-BONE
22	385310063		KIT, FLOOR FLANGE SEAL (INC. 5)
23	385318864		KIT, FUNNEL 506/806/706 (INC. 20 & 23)
24	385310954		KIT, BALL/BRASS SHAFT/P CART (INC. 18)



## PARTS LIST: 706

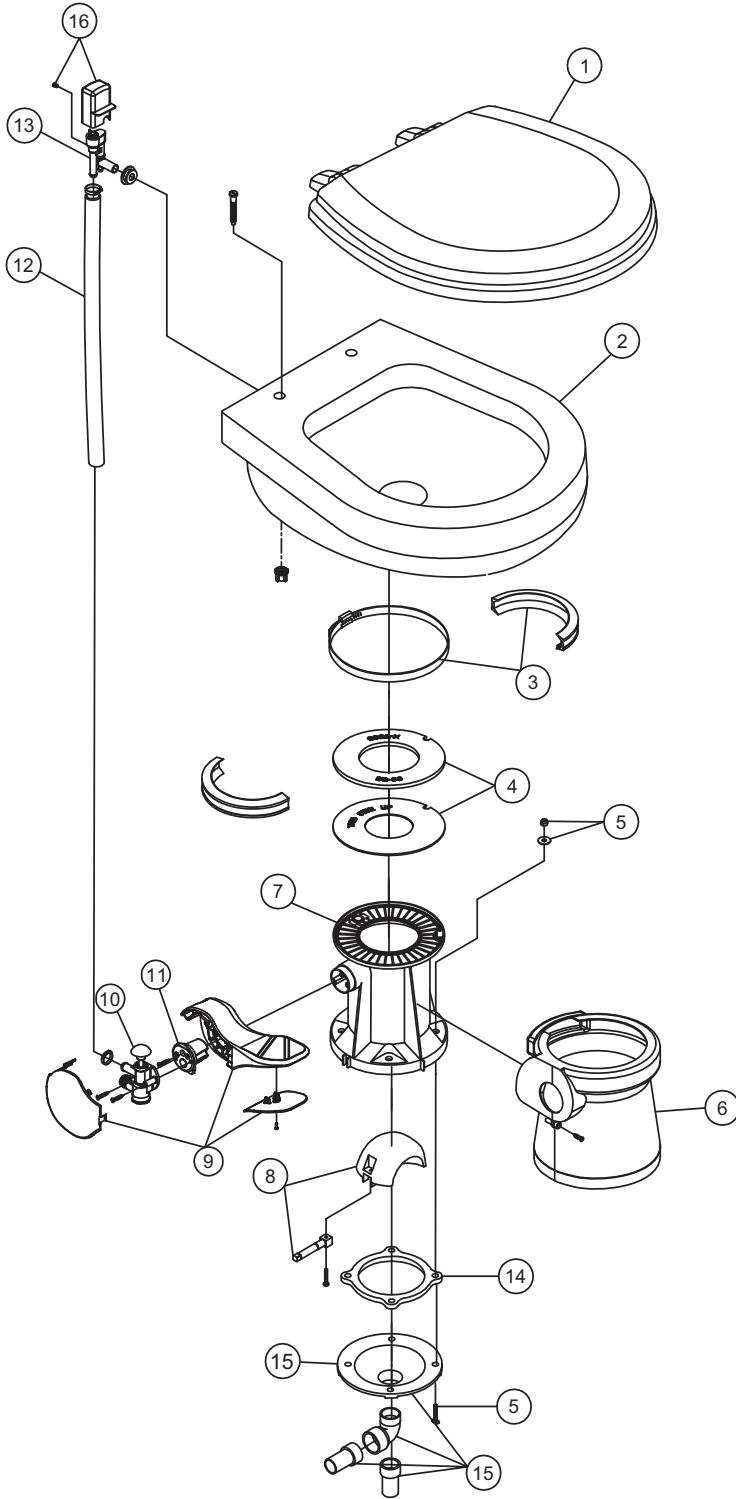


ITEM	PART NO.	DESCRIPTION
1	385344436	SEAT ASSEMBLY, WHITE
	385344437	SEAT ASSEMBLY, BONE
2	385310676	CHINA BOWL KIT, WHITE
	385310781	CHINA BOWL KIT, BONE
3	385310048	BAND AND HALF CLAMP, KIT
4	385311462	SEAL REPLACEMENT , KIT
5	385310064	MOUNTING HARDWARE
6	385310108	PEDESTAL COVER KIT , WHITE
	385310109	PEDESTAL COVER KIT , BONE
7	385310132	BASE KIT, WHITE (inc items 3 -12 & 15,16)
	385310133	BASE KIT, BONE (inc items 3 -12 & 15,16)
8	385318162	KIT,BALL,SHAFT & CART, WHITE(inc. item 11)
9	385310117	PEDAL COVER, WHITE
	385310118	PEDAL COVER, BONE
10	385314349	WATER VALVE, KIT
11	385236096	SPRING CARTRIDGE, KIT
12	385311486	KIT, BENT LEVER/CART-SHT BASE (inc.11)
13	385340177	HOSE, SUPPLY - BONE
	385345377	HOSE, SUPPLY - WHITE
14	385316906	VACUUM BREAKER, KIT
15	385310063	FLOOR FLANGE SEAL (inc. item 5)
16	385318864	FUNNEL KIT (inc. item 5 & 15)
17	385310696	VACUUM BREAKER COVER - WHITE
	385310782	VACUUM BREAKER COVER - BONE



Dometic Corporation - Sanitation Systems  
13128 State Rt. 226, P.O. Box 38  
Big Prairie, OH 44611-0038 USA  
Telephone: 330-496-3211  
Fax: 330-496-3097  
Email: sealand@dometicusa.com

## PARTS LIST: VACUFLUSH 709

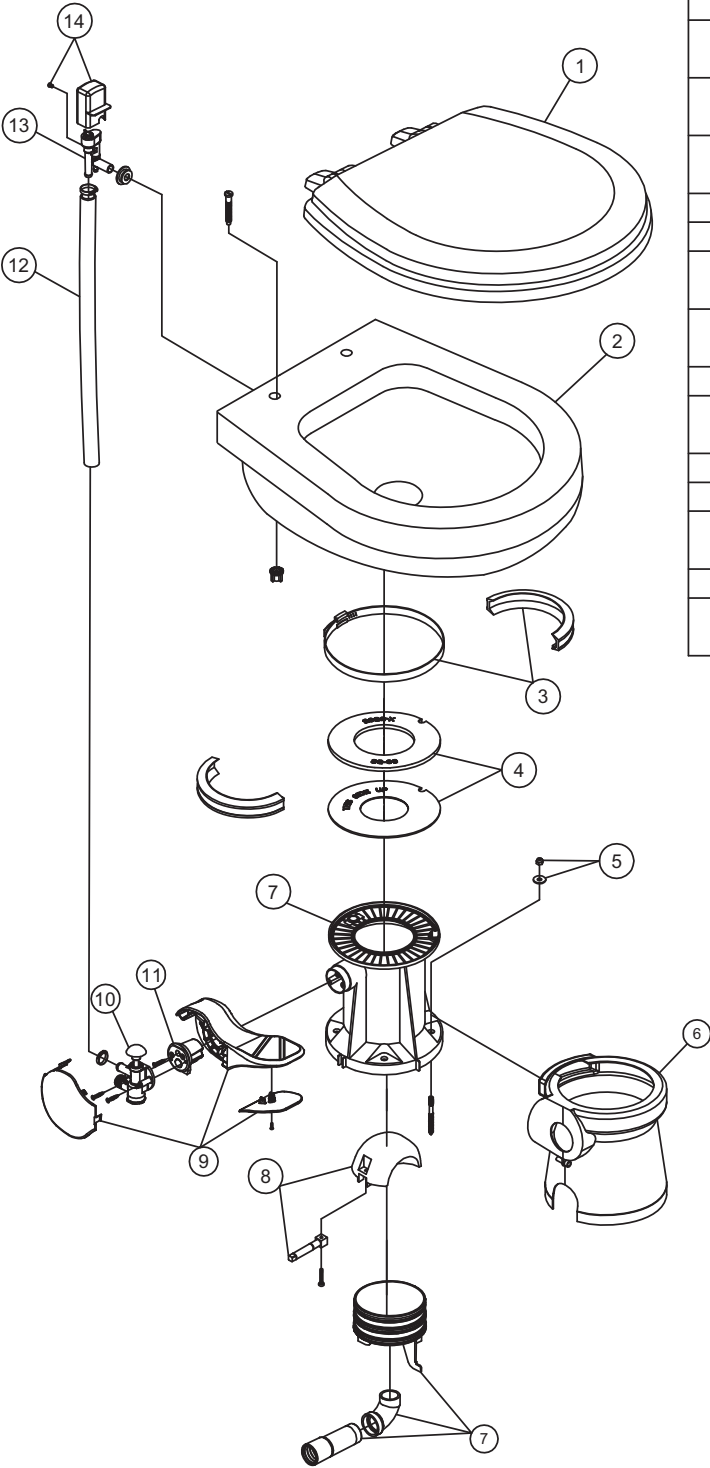


ITEM	PART NO.	DESCRIPTION
1	385344436	SEAT ASSEMBLY, WHITE
	385344437	SEAT ASSEMBLY, BONE
2	385310676	CHINA BOWL KIT, WHITE
	385310781	CHINA BOWL KIT, BONE
3	385310025	BAND AND HALF CLAMP, KIT WHITE
	385310048	BAND AND HALF CLAMP, KIT BONE
4	385311462	SEAL REPLACEMENT , KIT
5	385310064	MOUNTING HARDWARE
6	385310111	PEDESTAL COVER KIT , WHITE
	385310112	PEDESTAL COVER KIT , BONE
7	385311081	BASE KIT, WHITE (INC. 3-11 & 14,15)
	385310978	BASE KIT, BONE (INC. 3-11 & 14,15)
8	385310954	KIT, BALL/BRASS SHAFT/P CART(INC. 11)
9	385310682	PEDAL, CARTRIDGE, KIT WHITE (INC. 11)
	385310762	PEDAL, CARTRIDGE, KIT BONE (INC. 11)
10	385314349	WATER VALVE, KIT
11	385310683	SPRING CARTRIDGE, KIT
12	385345377	HOSE, SUPPLY - WHITE
	385340177	HOSE, SUPPLY - BONE
13	385316906	VACUUM BREAKER, KIT
14	385310063	FLOOR FLANGE SEAL (INC. 5)
15	385318864	FUNNEL KIT (INC. 5, 14 & 15)
16	385310696	VACUUM BREAKER COVER - WHITE
	385310782	VACUUM BREAKER COVER - BONE



Dometic Corporation - Sanitation Systems  
13128 State Rt. 226, P.O. Box 38  
Big Prairie, OH 44611-0038 USA  
Telephone: 330-496-3211  
Fax: 330-496-3097  
Email: sealand@dometicusa.com

**PARTS LIST: VACUFLUSH 748 - 749**

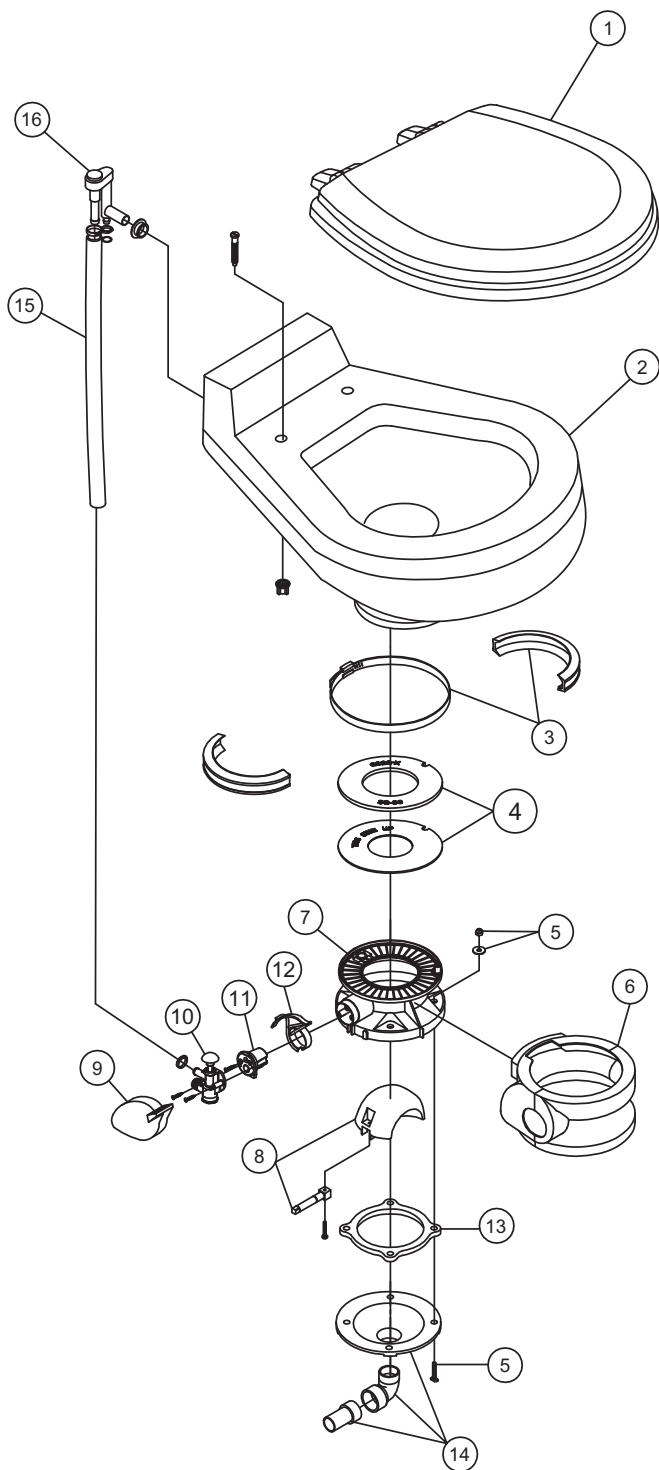


ITEM	PART NO.		DESCRIPTION
	748	749	
1	385344436		SEAT ASSEMBLY, WHITE
	385344437		SEAT ASSEMBLY, BONE
2	385310676		CHINA BOWL KIT, WHITE
	385310781		CHINA BOWL KIT, BONE
3	385310025		BAND AND HALF CLAMP, KIT WHITE
	385310048		BAND AND HALF CLAMP, KIT BONE
4	385311462		SEAL REPLACEMENT , KIT
5	385316323		MOUNTING HARDWARE
6	385310136	385310904	PEDESTAL COVER KIT , WHITE
	385310137	N/A	PEDESTAL COVER KIT , BONE
7	385310910	385310903	BASE KIT, WHITE (inc items 3-11 & 14,15)
	385311086	N/A	BASE KIT, BONE (inc items 3-11 & 14,15)
8	385310954		KIT, BALL/BRASS SHAFT/P CART (inc. item 11)
9	385310682		PEDAL, CARTRIDGE, KIT WHITE (inc. item 11)
	385310762		PEDAL, CARTRIDGE, KIT BONE (inc. item 11)
10	385314349		WATER VALVE, KIT
11	385310683		SPRING CARTRIDGE, KIT
12	385345377		HOSE, SUPPLY - WHITE
	385340177		HOSE, SUPPLY - BONE
13	385316906		VACUUM BREAKER, KIT
14	385310696		VACUUM BREAKER COVER - WHITE
	385310782		VACUUM BREAKER COVER - BONE



Dometic Corporation - Sanitation Systems  
13128 State Rt. 226, P.O. Box 38  
Big Prairie, OH 44611-0038 USA  
Telephone: 330-496-3211  
Fax: 330-496-3097  
Email: sealand@dometicusa.com

# PARTS LIST: 806



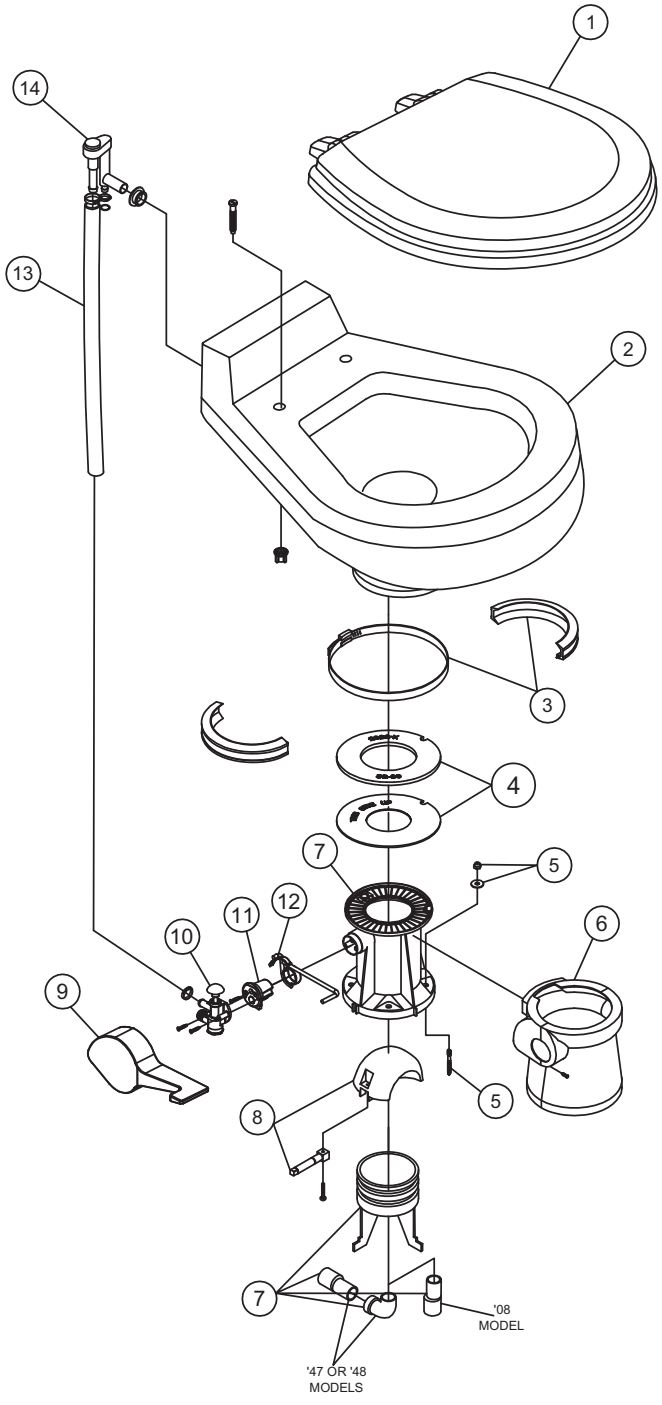
ITEM	PART NO.	DESCRIPTION
1	385344436	SEAT ASSEMBLY, WHITE
	385344437	SEAT ASSEMBLY, BONE
2	385310032	CHINA BOWL KIT, WHITE
	385310033	CHINA BOWL KIT, BONE
3	385310048	BAND & HALF CLAMP KIT - BONE
	385310025	BAND & HALF CLAMP KIT - WHITE
4	385311462	KIT, BASE SEAL/2 SEALS
5	385310064	MOUNTING HARDWARE
6	385310108	PEDESTAL COVER KIT - WHITE
	385310109	PEDESTAL COVER KIT - BONE
7	385310132	BASE KIT- WHITE (inc items 3-14)
	385310133	BASE KIT- BONE (inc items 3-14)
8	385318162	KIT,BALL,SHAFT & CART-(inc. item 11)
9	385310117	PEDAL COVER - WHITE
	385310118	PEDAL COVER - BONE
10	385314349	WATER VALVE - KIT
11	385236096	SPRING CARTRIDGE - KIT
12	385310579	PEDAL, CARTRIDGE, KIT (inc. item 11)
13	385310063	FLOOR FLANGE, (inc item 5)
14	385318864	KIT, FUNNEL 506/806/706 (inc. item 5)
15	385340177	HOSE, SUPPLY - BONE
	385345377	HOSE, SUPPLY - WHITE
16	385316906	VACUUM BREAKER, KIT



Dometic Corporation - Sanitation Systems  
13128 State Rt. 226, P.O. Box 38  
Big Prairie, OH 44611-0038 USA  
Telephone: 330-496-3211  
Fax: 330-496-3097  
Email: sealand@dometicusa.com



PARTS LIST: 808,847, 848



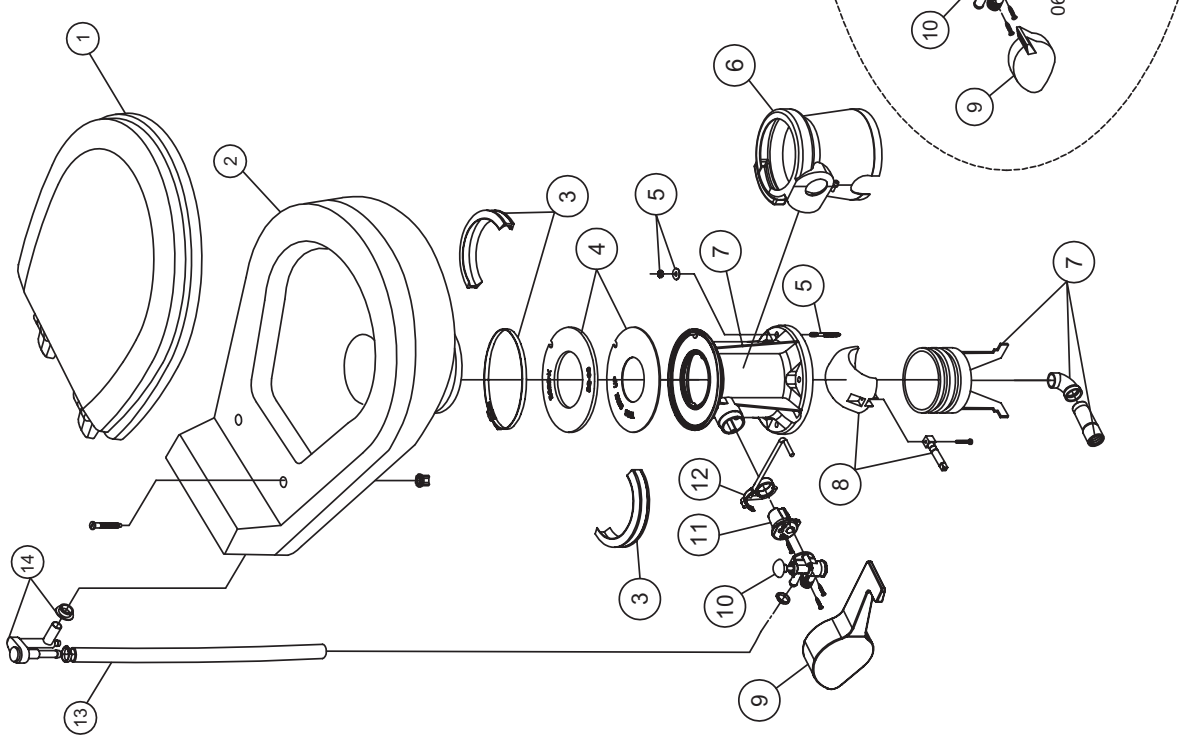
ITEM	PART NO.	DESCRIPTION
1	385344436	SEAT ASSEMBLY, WHITE
	385344437	SEAT ASSEMBLY, BONE
2	385310032	CHINA BOWL KIT, WHITE
	385310033	CHINA BOWL KIT, BONE
3	385310048	BAND & HALF CLAMP KIT - BONE
	385310025	BAND & HALF CLAMP KIT - WHITE
4	385311462	KIT, BASE SEAL/2 SEALS
5	385316323	MOUNTING HARDWARE
6	385310111	PEDESTAL COVER KIT - WHITE '08 MODEL
	385310112	PEDESTAL COVER KIT - BONE '08 MODEL
	385310674	PEDESTAL COVER KIT - WHITE '47 MODEL
	385310613	PEDESTAL COVER KIT - BONE '47 MODEL
	385310136	PEDESTAL COVER KIT - WHITE '48 MODEL
7	385310137	PEDESTAL COVER KIT - BONE '48 MODEL
	385310126	BASE KIT- WHITE (inc items 3-12) '08 MODEL
	385310127	BASE KIT- BONE (inc items 3-12) '08 MODEL
	385310665	BASE KIT- WHITE (inc items 3-12) '47 MODEL
	385310614	BASE KIT- BONE (inc items 3-12) '47 MODEL
	385310129	BASE KIT- WHITE (inc items 3-12) '48 MODEL
385310130	BASE KIT- BONE (inc items 3-12) '48 MODEL	
8	385318162	KIT,BALL,SHAFT & CART- WHITE(inc. item 11)
9	385310114	PEDAL COVER - WHITE
	385310115	PEDAL COVER - BONE
10	385314349	WATER VALVE - KIT
11	385236096	SPRING CARTRIDGE - KIT
12	385310578	PEDAL, CARTRIDGE, KIT (inc. item 11)
13	385340177	HOSE, SUPPLY - BONE
	385345377	HOSE, SUPPLY - WHITE
14	385316906	VACUUM BREAKER, KIT
N/S	385318741	KIT, FUNNEL '08

TOILET MODEL	DISCHARGE LOCATION
808	THROUGH THE FLOOR
847	OPPOSITE PEDAL
848	REAR OF TOILET

**Dometic** *Sealand*  
Dometic Corporation - Sanitation Systems  
13128 State Rt. 226, P.O. Box 38  
Big Prairie, OH 44611-0038 USA  
Telephone: 330-496-3211  
Fax: 330-496-3097  
Email: sealand@dometicusa.com

# PARTS LIST: VACUFLUSH MODELS 1006 - 1008 - 1047 - 1048 - 1049

ITEM	PART NUMBER		DESCRIPTION
	1008	1047 1048 1049	
1	385344436		SEAT ASSEMBLY, WHITE
	385344437		SEAT ASSEMBLY, BONE
2	385310615		CHINA BOWL KIT, WHITE
	385310616		CHINA BOWL KIT, BONE
3	385310025		BAND AND HALF CLAMP, KIT WHITE
	385310048		BAND AND HALF CLAMP, KIT BONE
4	385311462		SEAL REPLACEMENT, KIT
5	385310064		MOUNTING HARDWARE
	385310111	385310674	PEDESTAL COVER KIT, WHITE
	385310108	385310136	PEDESTAL COVER KIT, BONE
6	385310109	385310137	PEDESTAL COVER KIT, EBONY
	385310600	385310173	PEDESTAL COVER KIT, EBONY
	385310132	385310746	BASE KIT, WHITE (inc items 3-12)
	385310133	385310665	BASE KIT, BONE (inc items 3-12)
7	385310127	385310129	BASE KIT, EBONY (inc items 3-12)
	385310607	385310130	BASE KIT, EBONY (inc items 3-12)
		385310172	BASE KIT, EBONY (inc items 3-12)
8	385318162		KIT,BALL,SHAFT & CART, WHITE (inc. item 11)
	385310177		KIT,BALL,SHAFT & CART, EBONY (inc. item 11)
9	385310117	385310111	PEDAL COVER, WHITE
	385310118	385310115	PEDAL COVER, BONE
	385310593	385310175	PEDAL COVER, EBONY
10		385314349	KIT, WATER VALVE
11		385236096	KIT, SPRING CARTRIDGE
12	385310579	385310578	KIT, LEVER/CART-BASE
	385340177		HOSE, SUPPLY - BONE.
13		385345377	HOSE, SUPPLY - WHITE
14		385316906	VACUUM BREAKER, KIT
15	385310063		KIT, FLOOR FLANGE SEAL
16	385318864		KIT, FUNNEL 506/806/706
N/S	385318741		KIT, FUNNEL '08

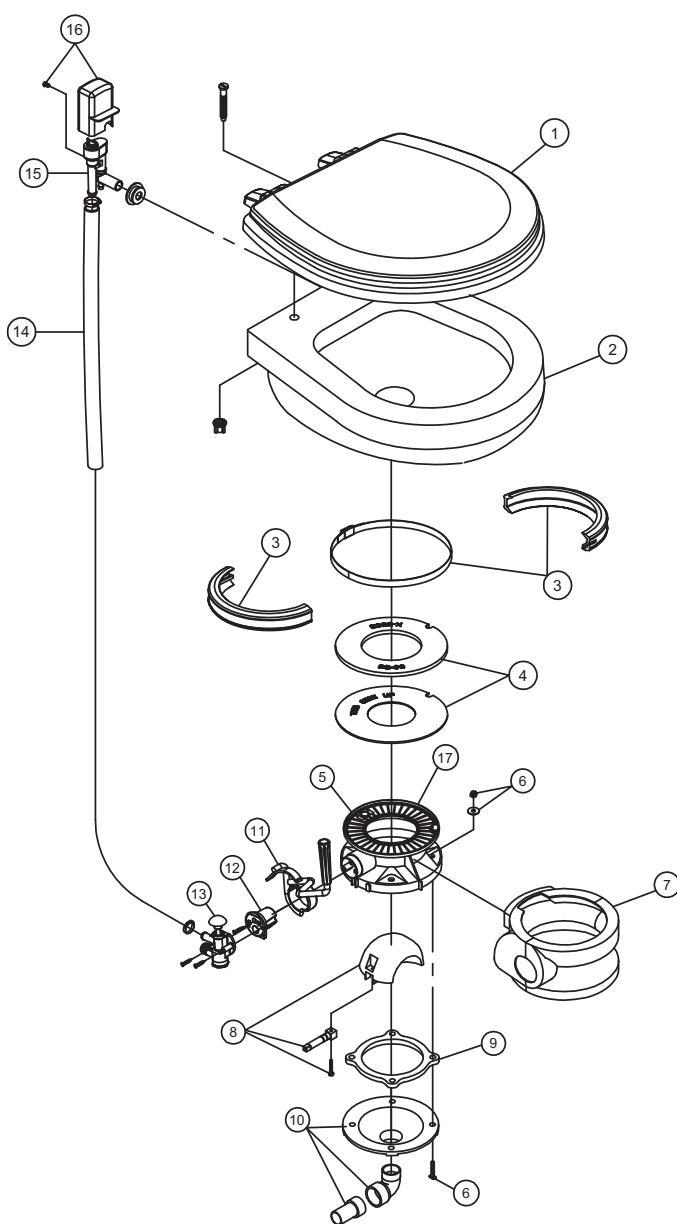


TOILET MODEL	DISCHARGE LOCATION
1008	THROUGH THE FLOOR
1047	OPPOSITE PEDAL
1048	REAR OF TOILET
1049	UNDER PEDAL
1006	THROUGH THE FLOOR

**Dometic** *Swagford*  
 Dometic Corporation - Sanitation Systems  
 13128 State Rt. 226, P.O. Box 38  
 Big Prairie, OH 44611-0038 USA  
 Telephone: 330-496-3211  
 Fax: 330-496-3097  
 Email: sealand@dometicusa.com

## PARTS LIST: VACUFLUSH 1106

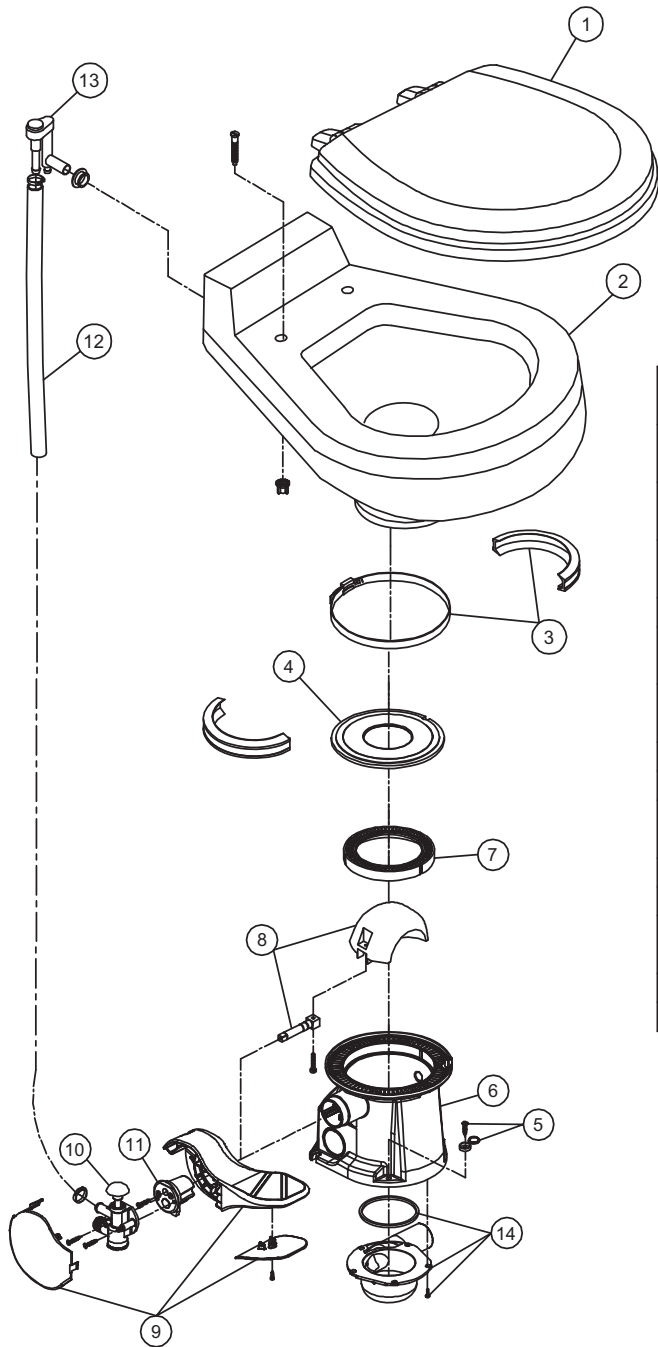
ITEM	PART NO.	DESCRIPTION	ITEM	PART NO.	DESCRIPTION
1	385344437	SEAT & LID ASSEMBLY, BONE	9	385310063	FLOOR FLANGE SEAL KIT (inc.item 6)
2	385310781	CHINA BOWL, BONE	10	385318864	FUNNEL KIT (inc.item 6 & 9)
3	385310048	HALF CLAMP KIT, BONE	11	385311095	HAND FLUSH KIT- (inc.item 12)
4	385311462	BASE, SEAL KIT REPLACEMENT	12	385236096	SPRING CARTRIDGE KIT
5	385311094	BASE KIT, BONE (inc. items 3 -13)	13	385314349	WATER VALVE KIT
6	385310064	MOUNTING KIT	14	385340177	SUPPLY HOSE, BONE
7	385310109	PEDESTAL COVER KIT, BONE	15	385310687	VACUUM BREAKER KIT
8	385318162	BALL/SHAFT/CARTRIDGE KIT (inc. item 12)	16	385310782	VACUUM BREAKER COVER



**Dometic** *Sealand*

Dometic Corporation - Sanitation Systems  
13128 State Rt. 226, P.O. Box 38  
Big Prairie, OH 44611-0038 USA  
Telephone: 330-496-3211  
Fax: 330-496-3097  
Email: sealand@dometicusa.com

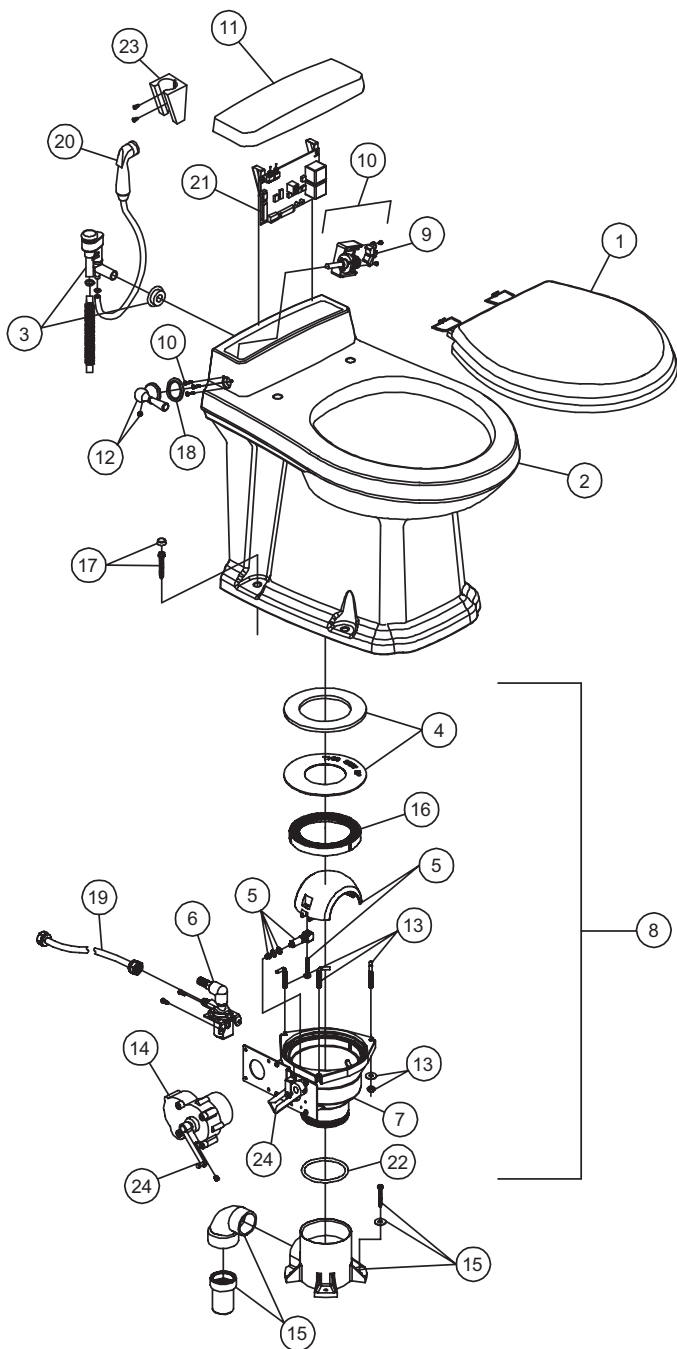
PARTS LIST: 1147 - 1148



ITEM	PART NUMBER		DESCRIPTION
	1147	1148	
1	385344436		SEAT ASSEMBLY, WHITE
	385344437		SEAT ASSEMBLY, BONE
2	385310615		CHINA BOWL KIT, WHITE
	385310616		CHINA BOWL KIT, BONE
3	385310025		BAND AND HALF CLAMP, KIT WHITE
	385310048		BAND AND HALF CLAMP, KIT BONE
4	385310677		SEAL REPLACEMENT , KIT
5	385310679		MOUNTING HARDWARE - WHITE
	385310785		MOUNTING HARDWARE - BONE
6	385310685	385310686	BASE KIT , WHITE (inc. items 3-11 & 14)
	385310783	385310784	BASE KIT , BONE (inc. items 3-11&14)
7	385311292		BASE RING
8	385310681		KIT,BALL,SHAFT & CART, WHITE (inc. item 11)
9	385310682		PEDAL KIT, WHITE (inc. item 11)
	385310762		PEDAL KIT, BONE (inc. item 11)
10	385314349		WATER VALVE, KIT
11	385310683		SPRING CARTRIDGE, KIT
12	385340177		HOSE, SUPPLY - BONE.
	385345377		HOSE, SUPPLY - WHITE
13	385316906		VACUUM BREAKER, KIT
14	385310680		DISCHARGE KIT

TOILET MODEL	DISCHARGE LOCATION
147	OPPOSITE PEDAL
148	REAR OF TOILET

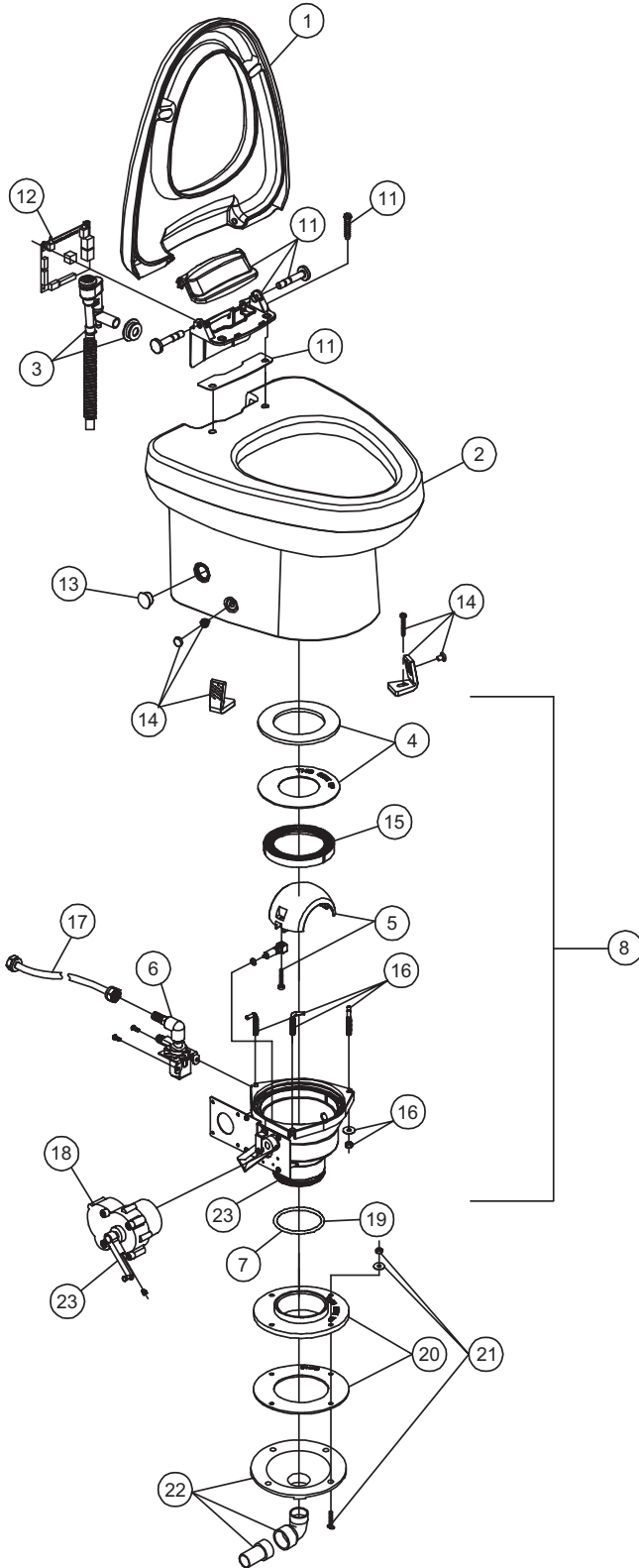
# PARTS LIST: 3048 PLUG IN BASE



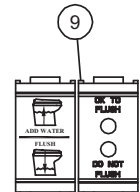
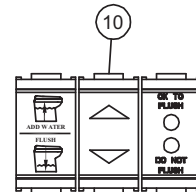
ITEM	PART NUMBER	DESCRIPTION
1	385344022	SEAT & COVER HF, WHITE
	385344023	SEAT & COVER HF, BONE
	385344024	SEAT & COVER HF, PLATINUM
	385344025	SEAT & COVER HF, EBONY
2	385310811	CHINA BOWL, WHITE
	385310812	CHINA BOWL, BONE
	385310867	CHINA BOWL, PLATINUM
	385310869	CHINA BOWL, EBONY
3	385310807	VACUUM BREAKER ASSEMBLY
	385310808	VACUUM BREAKER ASSY-HAND SPRAY MODEL
4	385311009	KIT, SEAL PLUG IN BASE
5	385310969	SHAFT/ HALF BALL KIT
	385310971	SHAFT/HALF BALL KIT EBONY
6	385310821	WATER VALVE w/MOUNTING SCREWS (12VDC)
	385310845	WATER VALVE w/MOUNTING SCREWS (24VDC)
7	385311052	BASE 3048 PLUG IN 12&24
8	385311054	COMPLETE BASE ASSY 12VDC (DOESNT INCLUDE #15)
	385311055	COMPLETE BASE ASSY 24VDC (DOESNT INCLUDE #15)
9	385310965	KIT, ROCKER SWITCH w/CABLE
10	385310964	FLUSH CONTROL ASSY (INCLUDES CABLE)
11	385310851	ACCESS COVER, WHITE
	385310852	ACCESS COVER, BONE
	385310864	ACCESS COVER, PLATINUM
	385310866	ACCESS COVER, EBONY
12	385311141	KIT, FLUSH HANDLE-NICKLE
	385310962	FLUSH HANDLE WITH SET SCREW, CHROME
	385310963	FLUSH HANDLE WITH SET SCREW, GOLD
13	385311011	L- BOLTS/NUTS /WASH/ PLUG IN BASE
14	385310822	MOTOR & MOUNTING HARDWARE (12VDC)
	385310846	MOTOR & MOUNTING HARDWARE (24VDC)
15	385311056	ADAPTER 48 PLUG IN
16	385311292	RING, BASE INSERT
17	385310813	CHINA BOWL MOUNTING KIT, CHROME
	385310814	CHINA BOWL MOUNTING KIT, GOLD
18	600344695	WASHER, FLUSH HANDLE
19	385311018	SUPPLY HOSE
20	385310809	HAND SPRAY; WHITE, BONE, PLATINUM
	385310873	HAND SPRAY; EBONY
21	385310888	CONTROL MODULE KIT-12VDC (VACUUM MODELS)
	385310890	CONTROL MODULE KIT-24VDC (VACUUM MODELS)
22	385311294	ORING, BASE
23	385311131	SPRAY BRACKET; CHROME (includes screws)
	385311125	SPRAY BRACKET; EBONY (includes screws)
24	385311417	KIT, BASE DRIVE ARMS
N/S	385310854	ACCESS COVER MOUNTING KIT

\* WHENEVER THE BASE IS REMOVED, YOU MUST REPLACE THE L-BOLTS AND NUTS.

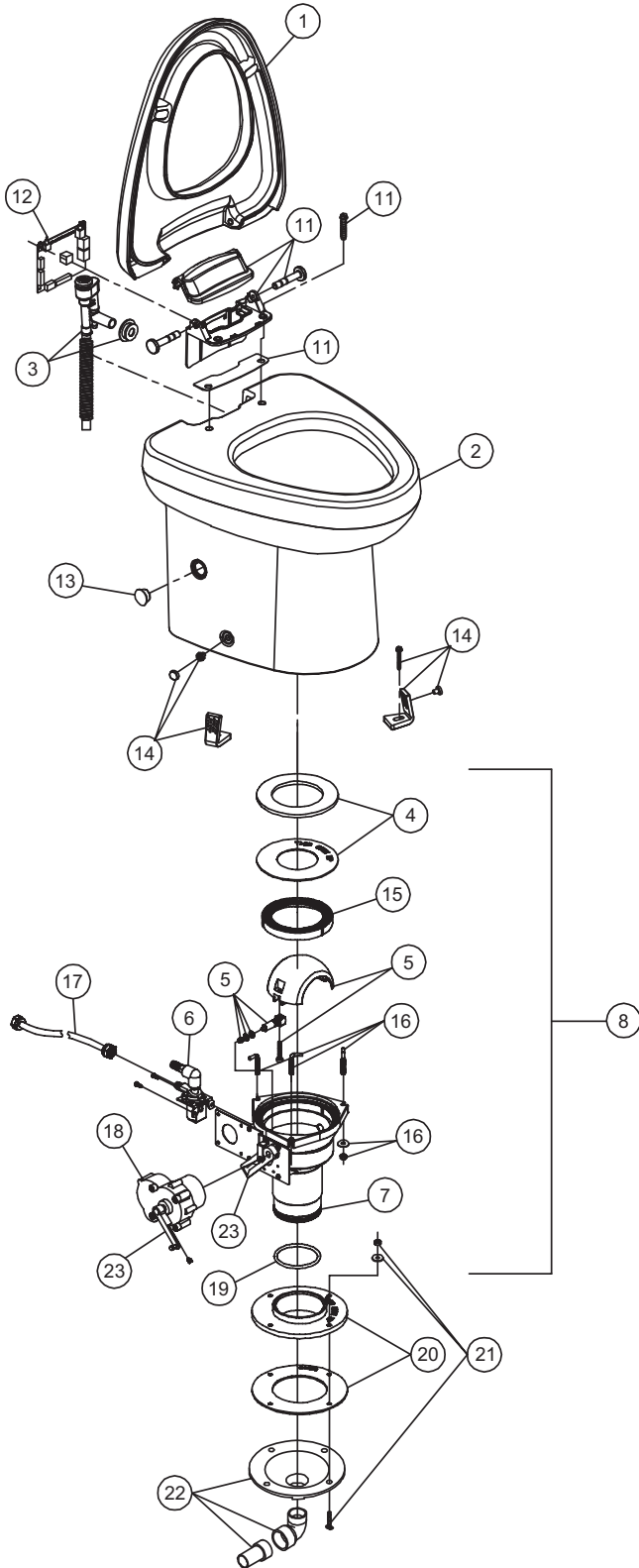
# PARTS LIST: 3606 PLUG IN BASE



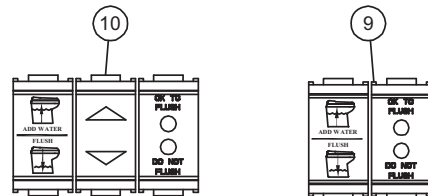
ITEM	PART NUMBER	DESCRIPTION
1	385311061	SEAT & COVER , WHITE
	385311062	SEAT & COVER , BONE
2	385311201	CHINA BOWL, WHITE
	385311202	CHINA BOWL, BONE
3	385310807	VACUUM BREAKER ASSEMBLY
4	385311009	KIT, SEAL PLUG IN BASE
5	385310969	SHAFT/ HALF BALL KIT
6	385310821	WATER VALVE w/MOUNTING SCREWS (12VDC)
	385310845	WATER VALVE w/MOUNTING SCREWS (24VDC)
7	385311053	KIT, BASE '06 PLUG IN (includes item 4,5,15,16,19)
8	385311312	COMPLETE BASE 12VDC PLUG IN (INCLUDES ITEMS 4-7, 15-19)
	385311313	COMPLETE BASE 24VDC PLUG IN (INCLUDES ITEMS 4-7, 15-19)
9	313401012	FLUSH SWITCH w/CABLE VIMAR 12/WHITE
	313401024	FLUSH SWITCH w/CABLE VIMAR 24/WHITE
	313402012	FLUSH SWITCH w/CABLE VIMAR 12/GRAY
	313402024	FLUSH SWITCH w/CABLE VIMAR 24/GRAY
10	313403012	FLUSH SWITCH w/CABLE GEWIS 12/GRAY
	313403024	FLUSH SWITCH w/CABLE GEWIS 24/GRAY
11	385311060	CIRCUIT BOARD COVER
12	385311058	3600 CIRCUIT BOARD 12VDC
	385311059	3600 CIRCUIT BOARD 24VDC
13	600344788	MANUAL OVERRIDE PLUG WHITE
	600344800	MANUAL OVERRIDE PLUG BONE
14	385311057	MOUNTING KIT
15	385311292	RING BASE INSERT
16	385311011	L- BOLTS/NUTS /WASH/ PLUG IN BASE
17	385311018	SUPPLY HOSE
18	385310822	MOTOR & MOUNTING HARDWARE (12VDC)
	385310846	MOTOR & MOUNTING HARDWARE (24VDC)
19	385311294	O'RING 3.1 X 3.5 X .21
20	385311013	FLOOR FLANGE ADPT (INC. ITEM 21)
21	385310064	MOUNTING HARDWARE
22	385318864	FUNNEL KIT (INC. ITEM 21 )
23	385311417	KIT, BASE DRIVE ARMS



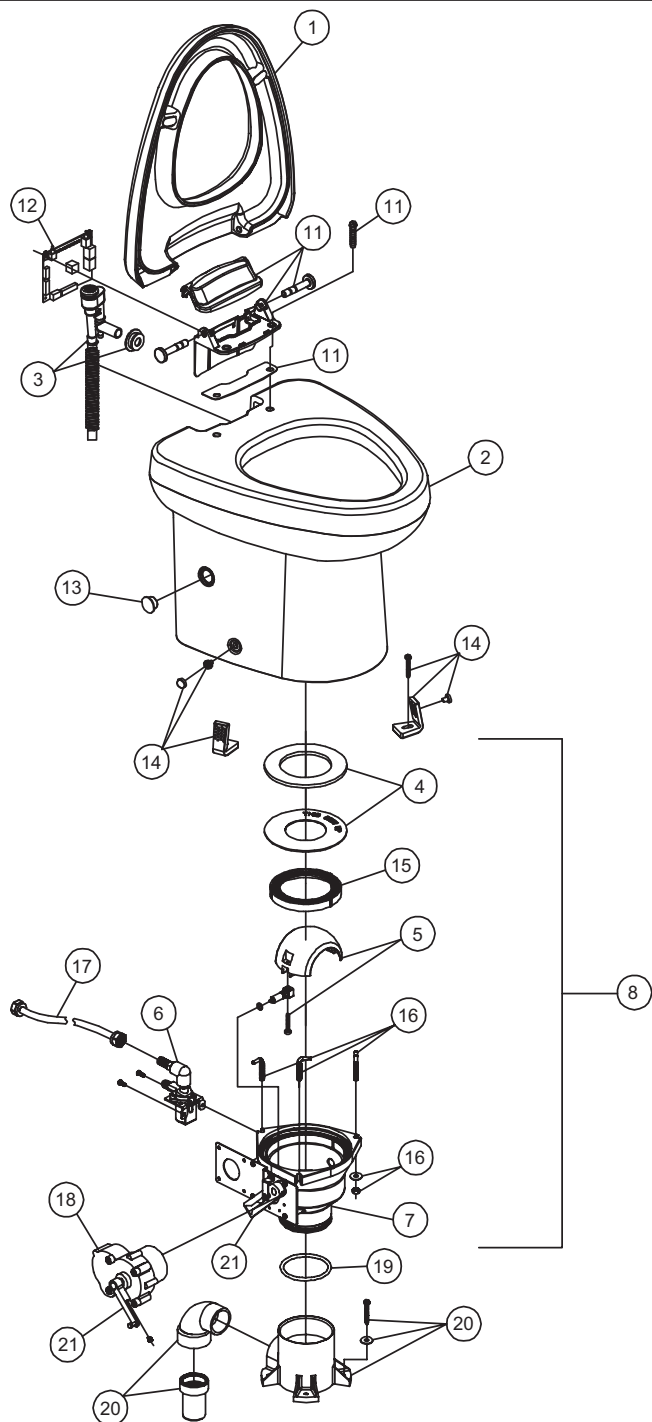
# PARTS LIST: 3609 PLUG IN BASE



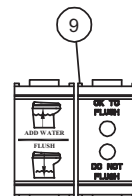
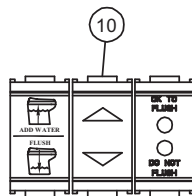
ITEM	PART NUMBER	DESCRIPTION
1	385311061	SEAT & COVER , WHITE
	385311062	SEAT & COVER , BONE
2	385311063	CHINA BOWL , WHITE
	385311064	CHINA BOWL , BONE
3	385310807	VACUUM BREAKER ASSEMBLY
4	385311009	KIT, SEAL PLUG IN BASE
5	385310969	SHAFT/ HALF BALL KIT
6	385310821	WATER VALVE w/MOUNTING SCREWS (12VDC)
	385310845	WATER VALVE w/MOUNTING SCREWS (24VDC)
7	385311051	BASE PLUG IN
8	385311050	COMPLETE BASE 12VDC PLUG IN (INCLUDES ITEMS 4-7, 16-19)
	385311170	COMPLETE BASE 24VDC PLUG IN (INCLUDES ITEMS 4-7, 14,16,19,22)
9	313401012	FLUSH SWITCH w/CABLE VIMAR 12/WHITE
	313401024	FLUSH SWITCH w/CABLE VIMAR 24/WHITE
	313402012	FLUSH SWITCH w/CABLE VIMAR 12/GRAY
	313402024	FLUSH SWITCH w/CABLE VIMAR 24/GRAY
10	313403012	FLUSH SWITCH w/CABLE GEWIS 12/GRAY
	313403024	FLUSH SWITCH w/CABLE GEWIS 24/GRAY
11	385311060	CIRCUIT BOARD COVER
12	385311058	3600 CIRCUIT BOARD 12VDC
	385311059	3600 CIRCUIT BOARD 24VDC
13	600344788	MANUAL OVERRIDE PLUG WHITE
	600344800	MANUAL OVERRIDE PLUG BONE
14	385311057	MOUNTING KIT
15	385311292	RING BASE INSERT
16	385311011	L- BOLTS/NUTS /WASH/ PLUG IN BASE
17	385311018	SUPPLY HOSE
18	385310822	MOTOR & MOUNTING HARDWARE (12VDC)
	385310846	MOTOR & MOUNTING HARDWARE (24VDC)
19	385311294	O'RING 3.1 X 3.5 X .21
20	385311013	FLOOR FLANGE ADAPTER KIT (includes item 21)
21	385310064	MOUNTING HARDWARE
22	385318864	MOUNTING FUNNEL ( includes item 21)
23	385311417	KIT, BASE DRIVE ARMS



# PARTS LIST: 3648 PLUG IN BASE



ITEM	PART NUMBER	DESCRIPTION
1	385311061	SEAT & COVER , WHITE
	385311062	SEAT & COVER , BONE
2	385311063	CHINA BOWL, WHITE
	385311064	CHINA BOWL, BONE
3	385310807	VACUUM BREAKER ASSEMBLY
4	385311009	KIT, SEAL PLUG IN BASE
5	385310969	SHAFT/ HALF BALL KIT
6	385310821	WATER VALVE w/MOUNTING SCREWS (12VDC)
	385310845	WATER VALVE w/MOUNTING SCREWS (24VDC)
7	385311052	BASE PLUG IN (includes item 4,5,15,16,19)
8	385311054	COMPLETE BASE 12VDC PLUG IN (INCLUDES ITEMS 4-7, 15-20)
	385311055	COMPLETE BASE 24VDC PLUG IN (INCLUDES ITEMS 4-7, 15-20)
9	313401012	FLUSH SWITCH w/CABLE VIMAR 12/WHITE
	313401024	FLUSH SWITCH w/CABLE VIMAR 24/WHITE
	313402012	FLUSH SWITCH w/CABLE VIMAR 12/GRAY
	313402024	FLUSH SWITCH w/CABLE VIMAR 24/GRAY
10	313403012	FLUSH SWITCH w/CABLE GEWIS 12/GRAY
	313403024	FLUSH SWITCH w/CABLE GEWIS 24/GRAY
11	385311060	CIRCUIT BOARD COVER
12	385311058	3600 CIRCUIT BOARD 12VDC
	385311059	3600 CIRCUIT BOARD 24VDC
13	600344788	MANUAL OVERRIDE PLUG WHITE
	600344800	MANUAL OVERRIDE PLUG BONE
14	385311057	MOUNTING KIT
15	385311292	RING BASE INSERT
16	385311011	L- BOLTS/NUTS /WASH/ PLUG IN BASE
17	385311018	SUPPLY HOSE
18	385310822	MOTOR & MOUNTING HARDWARE (12VDC)
	385310846	MOTOR & MOUNTING HARDWARE (24VDC)
19	385311294	KIT, O'RING PLUG-IN BASE
20	385311056	ADAPTER 48 PLUG IN
21	385311417	KIT, BASE DRIVE ARMS

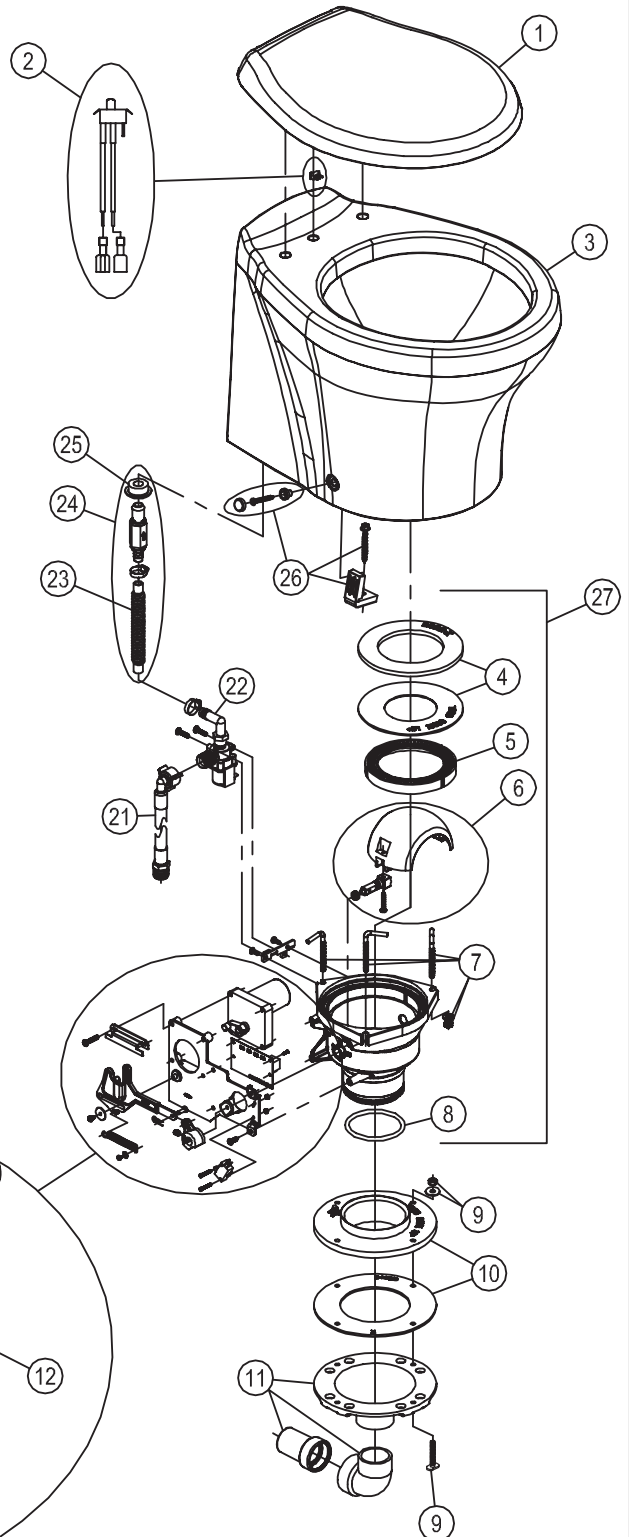




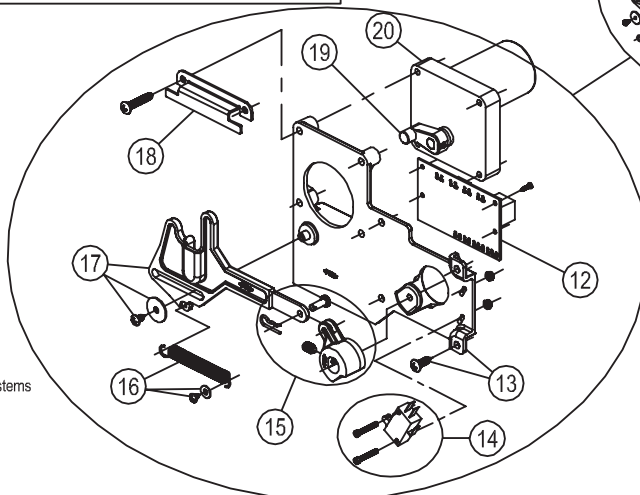
## PARTS LIST: 4606 MODEL SERIES

ITEM	PART NUMBER & DESCRIPTION
1	385311618 SEAT/COVER SLOW-CLOSE - WHITE 385311619 SEAT/COVER SLOW-CLOSE - BONE
2	385311691 SERVICE SWITCH REPLACEMENT
3	385311867 4600 SHORT BOWL KIT - WHITE 385311868 4600 SHORT BOWL KIT - BONE
4	385311009 FLUSH BALL SEAL REP'L KIT **INCLUDES ITEMS 7.
5	385311292 BASE FLUSH BALL RING KIT
6	385310969 FLUSH BALL/SHAFT REP'L KIT
7	385311011 BASE TO BOWL MOUNTING HARDWARE
8	385311294 BASE O'RING REP'L KIT
9	385310064 FLOOR FLANGE MOUNTING HARDWARE
10	385311013 FLOOR FLANGE ADAPTER KIT **INCLUDES ITEMS 9.
11	385318864 VF FUNNEL KIT **INCLUDES ITEMS 9.
12	385311690 CONTROL MODULE
13	385311394 FLUSH MECHANISM w/MTG BRACKET **INCLUDES ITEMS 14, 15, 16, 17, 18.
14	385311673 FLUSH ACTUATION SWITCH
15	385311296 FLUSH BALL CAM REP'L KIT
16	385311393 FLUSH MECHANISM RETURN SPRING
17	385311392 FLUSH MECHANISM LINKAGE
18	385311429 FLUSH LINKAGE GUIDE BRACKET
19	385311299 MOTOR DRIVE ARM REP'L KIT
20	385311300 MOTOR REPLACEMENT KIT - 12VDC 385311390 MOTOR REPLACEMENT KIT - 24VDC **INCLUDES ITEM 19.
21	385311547 WATER SUPPLY HOSE
22	385311545 WATER VALVE KIT - 12VDC 385311546 WATER VALVE KIT - 24VDC
23	385311869 CORRUGATED SUPPLY HOSE
24	385311384 CHECK VALVE w/HOSE **INCLUDES ITEM 23 & 25.
25	385311164 1/2" SEALING GROMMET
26	385311463 BOWL MOUNTING HARDWARE KIT
27	385311395 '06 PLUG-IN BASE KIT - 12VDC 385311396 '06 PLUG-IN BASE KIT - 24VDC **INCLUDES ITEMS 4-8 & 12-24.

28	313400021 DOMETIC TOUCHPAD VF - BLACK 313400022 DOMETIC TOUCHPAD VF - WHITE
----	--

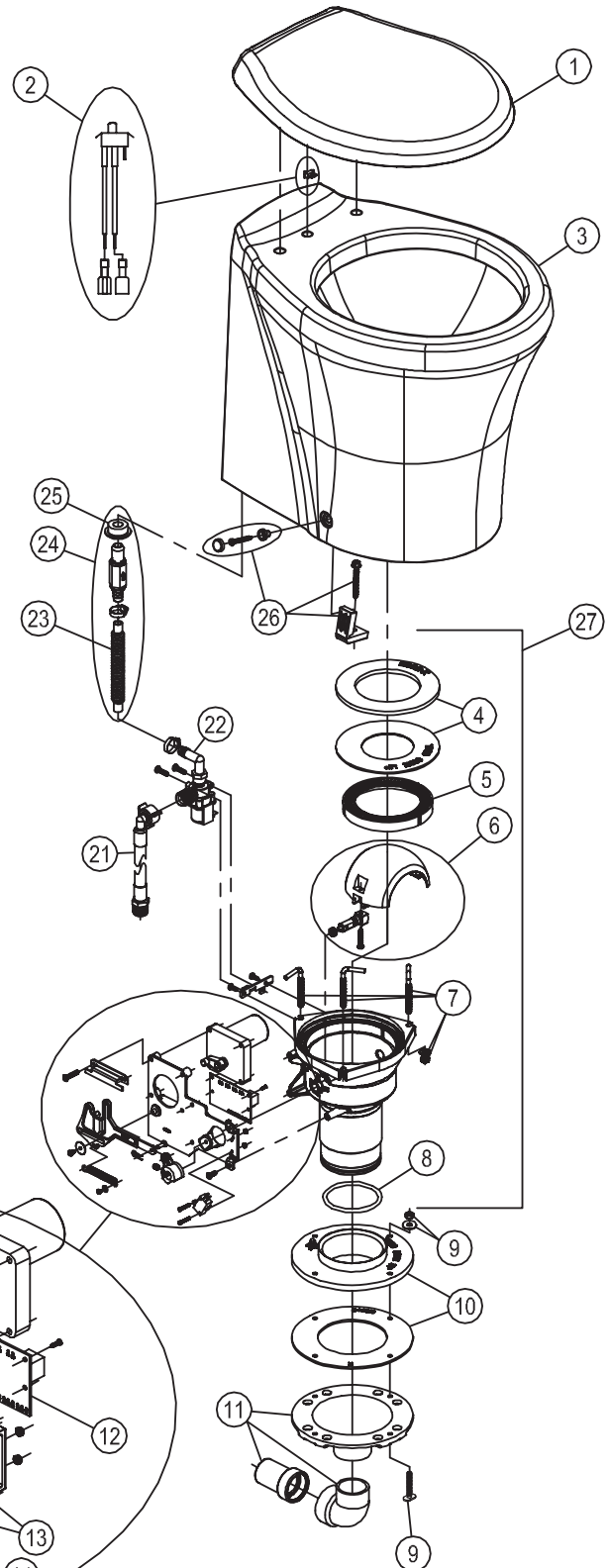


28



## PARTS LIST: 4609 MODEL SERIES

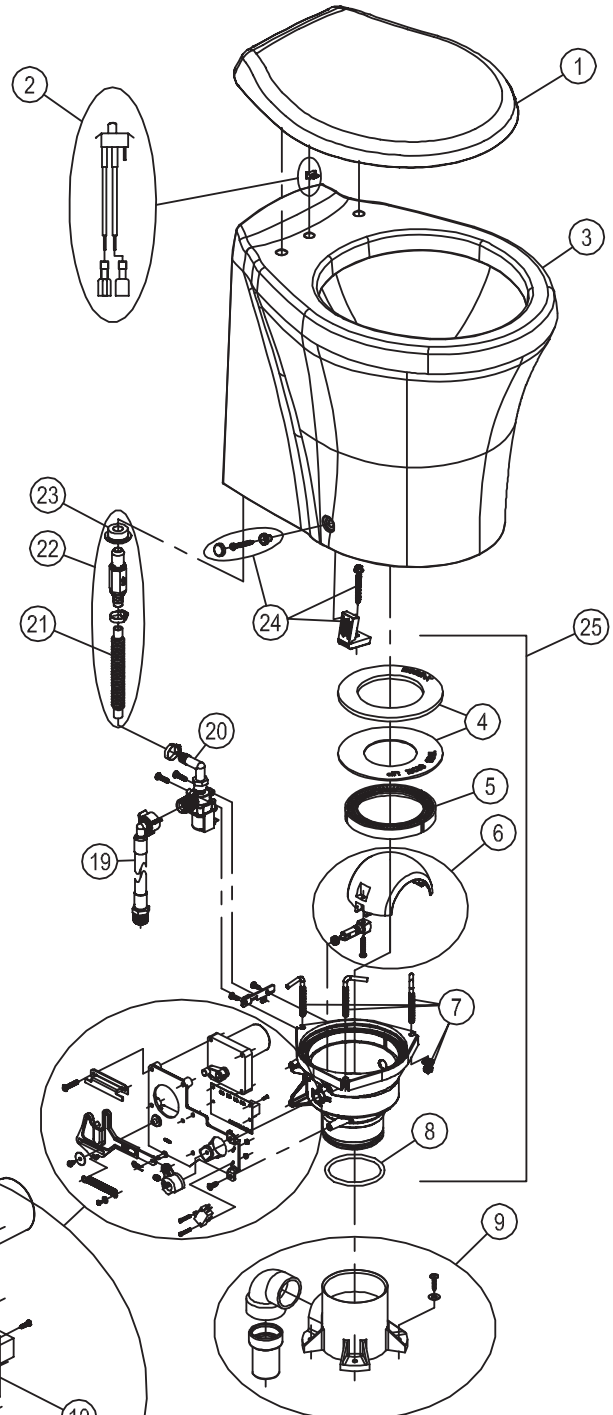
ITEM	PART NUMBER & DESCRIPTION
1	385311618 SEAT/COVER SLOW-CLOSE - WHITE 385311619 SEAT/COVER SLOW-CLOSE - BONE
2	385311691 SERVICE SWITCH REPLACEMENT
3	385311870 4600 TALL BOWL KIT - WHITE 385311871 4600 TALL BOWL KIT - BONE
4	385311009 FLUSH BALL SEAL REPL KIT **INCLUDES ITEMS 7.
5	385311292 BASE FLUSH BALL RING KIT
6	385310969 FLUSH BALL/SHAFT REPL KIT
7	385311011 BASE TO BOWL MOUNTING HARDWARE
8	385311294 BASE O'RING REPL KIT
9	385310064 FLOOR FLANGE MOUNTING HARDWARE
10	385311013 FLOOR FLANGE ADAPTER KIT **INCLUDES ITEMS 9.
11	385318864 VF FUNNEL KIT **INCLUDES ITEMS 9.
12	385311690 CONTROL MODULE
13	385311394 FLUSH MECHANISM w/MTG BRACKET **INCLUDES ITEMS 14, 15, 16, 17, 18.
14	385311673 FLUSH ACTUATION SWITCH
15	385311296 FLUSH BALL CAM REPL KIT
16	385311393 FLUSH MECHANISM RETURN SPRING
17	385311392 FLUSH MECHANISM LINKAGE
18	385311429 FLUSH LINKAGE GUIDE BRACKET
19	385311299 MOTOR DRIVE ARM REPL KIT
20	385311300 MOTOR REPLACEMENT KIT - 12VDC 385311390 MOTOR REPLACEMENT KIT - 24VDC **INCLUDES ITEM 19.
21	385311547 WATER SUPPLY HOSE
22	385311545 WATER VALVE KIT - 12VDC 385311546 WATER VALVE KIT - 24VDC
23	385311869 CORRUGATED SUPPLY HOSE
24	385311384 CHECK VALVE w/HOSE **INCLUDES ITEM 23 & 25.
25	385311164 1/2" SEALING GROMMET
26	385311463 BOWL MOUNTING HARDWARE KIT
27	385311397 '09 PLUG-IN BASE KIT - 12VDC 385311398 '09 PLUG-IN BASE KIT - 24VDC **INCLUDES ITEMS 4-8 & 12-24.
28	313400021 DOMETIC TOUCHPAD VF - BLACK 313400022 DOMETIC TOUCHPAD VF - WHITE



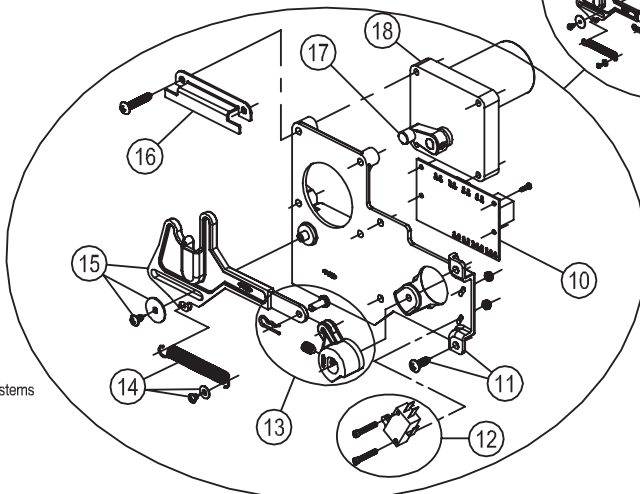
28

## PARTS LIST: 4648 MODEL SERIES

ITEM	PART NUMBER & DESCRIPTION	
1	385311618	SEAT/COVER SLOW-CLOSE - WHITE
	385311619	SEAT/COVER SLOW-CLOSE - BONE
2	385311691	SERVICE SWITCH REPLACEMENT
3	385311870	4600 TALL BOWL KIT - WHITE
	385311871	4600 TALL BOWL KIT - BONE
4	385311009	FLUSH BALL SEAL REPL KIT **INCLUDES ITEMS 7.
5	385311292	BASE FLUSH BALL RING KIT
6	385310969	FLUSH BALL/SHAFT REPL KIT
7	385311011	BASE TO BOWL MOUNTING HARDWARE
8	385311294	BASE O'RING REPL KIT
9	385311056	ABOVE FLOOR DISCHARGE ADAPT KIT
10	385311690	CONTROL MODULE
11	385311394	FLUSH MECHANISM w/MTG BRACKET **INCLUDES ITEMS 12, 13, 14, 15, 16.
12	385311673	FLUSH ACTUATION SWITCH
13	385311296	FLUSH BALL CAM REPL KIT
14	385311393	FLUSH MECHANISM RETURN SPRING
15	385311392	FLUSH MECHANISM LINKAGE
16	385311429	FLUSH LINKAGE GUIDE BRACKET
17	385311299	MOTOR DRIVE ARM REPL KIT
18	385311300	MOTOR REPLACEMENT KIT - 12VDC
	385311390	MOTOR REPLACEMENT KIT - 24VDC **INCLUDES ITEM 17.
19	385311547	WATER SUPPLY HOSE
20	385311545	WATER VALVE KIT - 12VDC
	385311546	WATER VALVE KIT - 24VDC
21	385311869	CORRUGATED SUPPLY HOSE
22	385311384	CHECK VALVE w/HOSE **INCLUDES ITEM 21 & 23.
23	385311164	1/2" SEALING GROMMET
24	385311463	BOWL MOUNTING HARDWARE KIT
25	385311399	'48 PLUG-IN BASE KIT - 12VDC
	385311400	'48 PLUG-IN BASE KIT - 24VDC **INCLUDES ITEMS 4-8 & 10-22.
26	313400021	DOMETIC TOUCHPAD VF - BLACK
	313400022	DOMETIC TOUCHPAD VF - WHITE

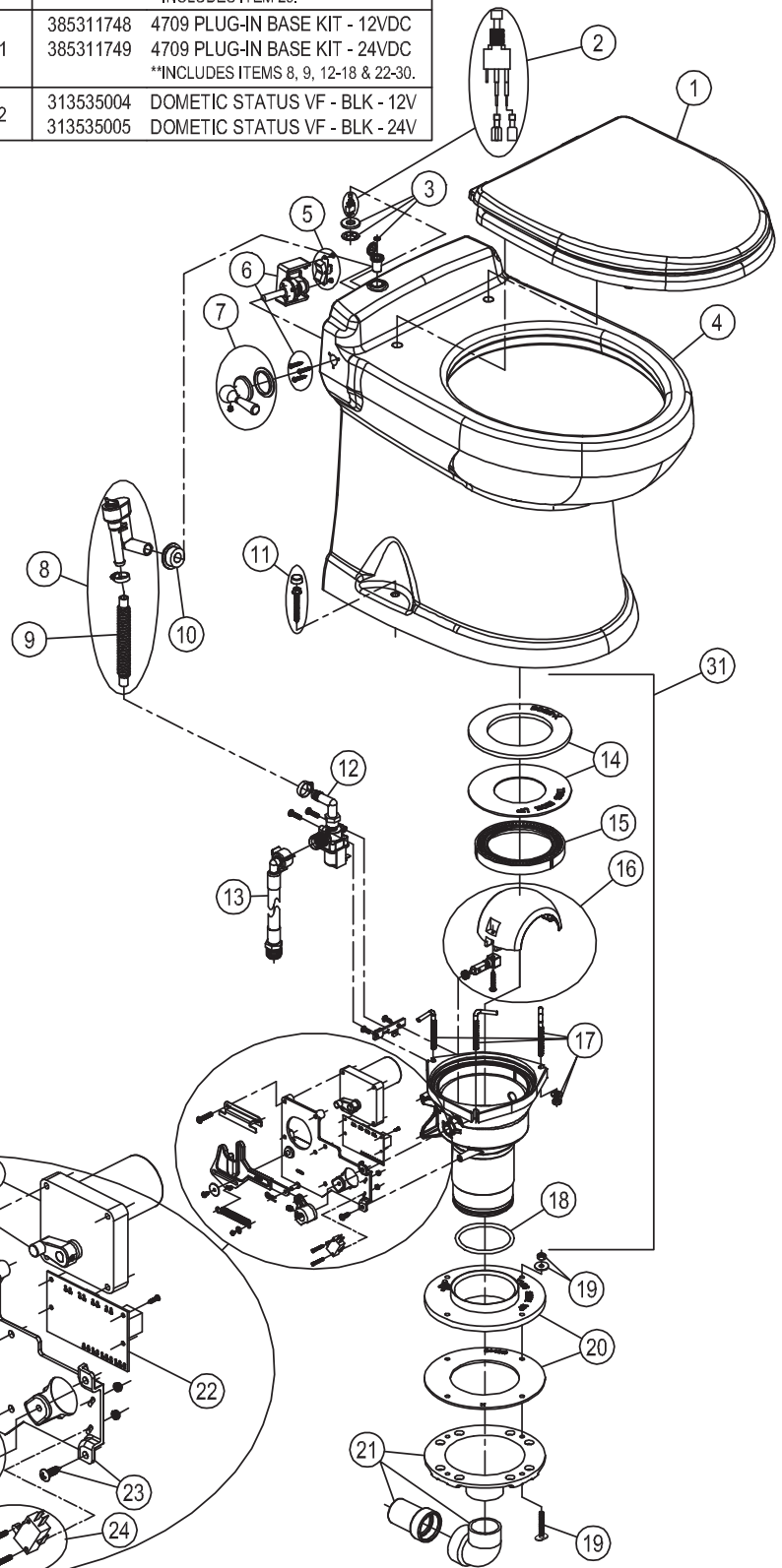


26



## PARTS LIST: 4709 MODEL SERIES w/FLUSH HANDLE

ITEM	PART NUMBER & DESCRIPTION
1	385311005 SEAT/COVER - WHITE 385311006 SEAT/COVER - BONE
2	385311752 SERVICE SWITCH REPLACEMENT
3	385311750 SERVICE SWITCH HOUSING - WHITE 385311751 SERVICE SWITCH HOUSING - BONE
4	385311730 4700 BOWL KIT - WHITE 385311731 4700 BOWL KIT - BONE
5	385311703 FLUSH HANDLE SWITCH w/WIRING
6	385311704 FLUSH HANDLE ASSEMBLY **INCLUDES ITEM 5.
7	385310962 FLUSH HANDLE KIT - CHROME 385310963 FLUSH HANDLE KIT - GOLD 385311141 FLUSH HANDLE KIT - NICKLE
8	385310807 VACUUM BREAKER KIT **INCLUDES ITEMS 9 & 10.
9	385311869 CORRUGATED SUPPLY HOSE
10	385311164 1/2" SEALING GROMMET
11	385311022 BOWL MOUNTING HARDWARE
12	385311545 WATER VALVE KIT - 12VDC 385311546 WATER VALVE KIT - 24VDC
13	385311547 WATER SUPPLY HOSE
14	385311009 FLUSH BALL SEAL REPL KIT **INCLUDES ITEMS 17.
15	385311292 BASE FLUSH BALL RING KIT
16	385310969 FLUSH BALL/SHAFT REPL KIT
17	385311011 BASE TO BOWL MOUNTING HARDWARE
18	385311294 BASE O'RING REPL KIT
19	385310064 FLOOR FLANGE MOUNTING HARDWARE
20	385311013 FLOOR FLANGE ADAPTER KIT **INCLUDES ITEMS 19.
21	385318864 VF FUNNEL KIT **INCLUDES ITEMS 19.
22	385311690 CONTROL MODULE
23	385311394 FLUSH MECHANISM w/MTG BRACKET **INCLUDES ITEMS 24, 25, 26, 27, 28.
24	385311673 FLUSH ACTUATION SWITCH
25	385311296 FLUSH BALL CAM REPL KIT
26	385311393 FLUSH MECHANISM RETURN SPRING
27	385311392 FLUSH MECHANISM LINKAGE
28	385311429 FLUSH LINKAGE GUIDE BRACKET
29	385311299 MOTOR DRIVE ARM REPL KIT
30	385311300 MOTOR REPL KIT - 12VDC 385311390 MOTOR REPL KIT - 24VDC **INCLUDES ITEM 29.
31	385311748 4709 PLUG-IN BASE KIT - 12VDC 385311749 4709 PLUG-IN BASE KIT - 24VDC **INCLUDES ITEMS 8, 9, 12-18 & 22-30.
32	313535004 DOMETIC STATUS VF - BLK - 12V 313535005 DOMETIC STATUS VF - BLK - 24V

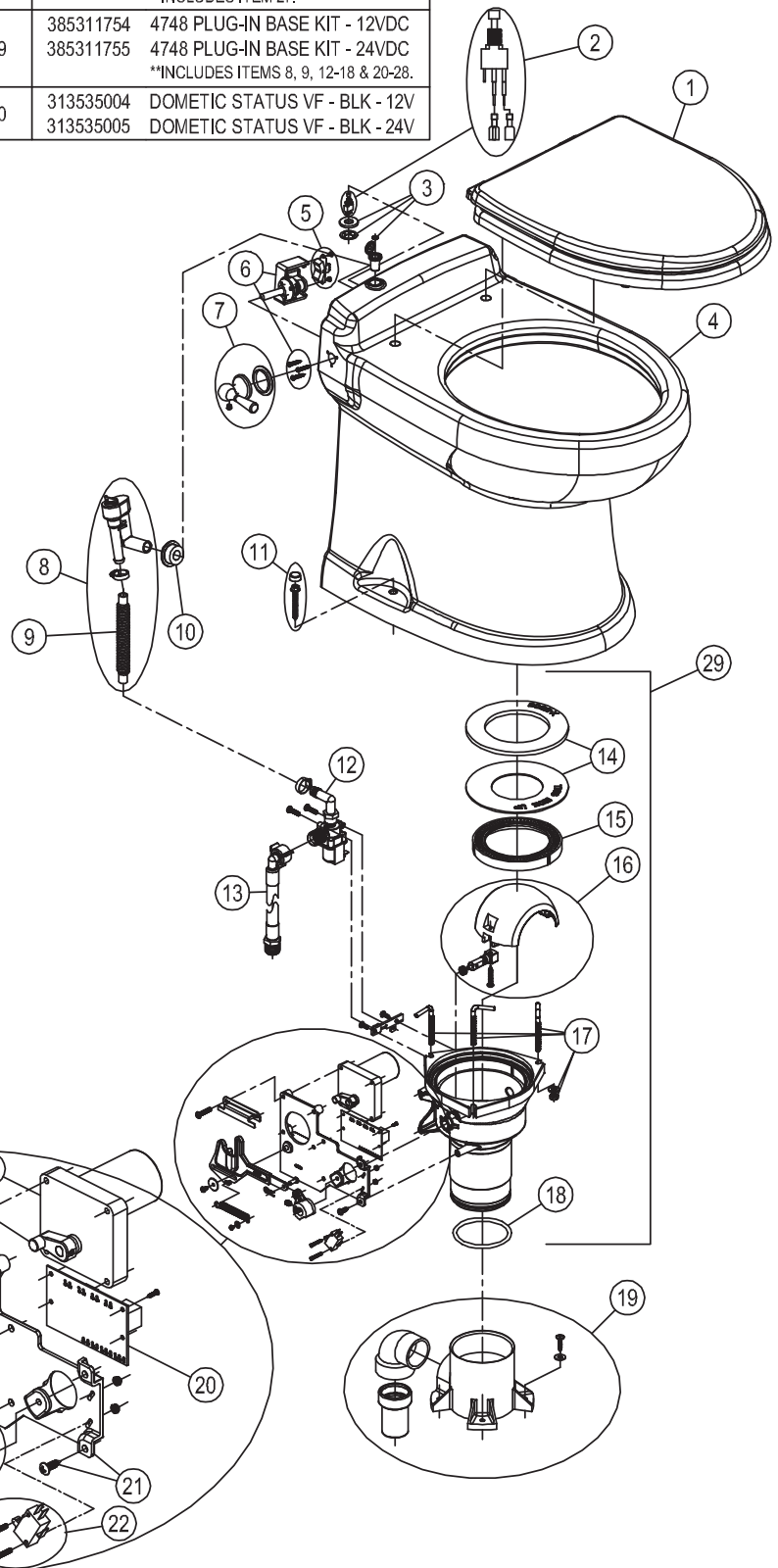


32

Dometic Corporation -  
Sanitation Systems  
13128 State Rt. 226, P.O. Box 38  
Big Prairie, OH 44611-0038 USA  
Telephone: 330-496-3211  
Fax: 330-496-3097  
Email: sealand@dometicusa.com

## PARTS LIST: 4748 MODEL SERIES w/FLUSH HANDLE

ITEM	PART NUMBER & DESCRIPTION
1	385311005 SEAT/COVER - WHITE 385311006 SEAT/COVER - BONE
2	385311752 SERVICE SWITCH REPLACEMENT
3	385311750 SERVICE SWITCH HOUSING - WHITE 385311751 SERVICE SWITCH HOUSING - BONE
4	385311730 4700 BOWL KIT - WHITE 385311731 4700 BOWL KIT - BONE
5	385311703 FLUSH HANDLE SWITCH w/WIRING
6	385311704 FLUSH HANDLE ASSEMBLY **INCLUDES ITEM 5.
7	385310962 FLUSH HANDLE KIT - CHROME 385310963 FLUSH HANDLE KIT - GOLD 385311141 FLUSH HANDLE KIT - NICKLE
8	385310807 VACUUM BREAKER KIT **INCLUDES ITEMS 9 & 10.
9	385311869 CORRUGATED SUPPLY HOSE
10	385311164 1/2" SEALING GROMMET
11	385311022 BOWL MOUNTING HARDWARE
12	385311545 WATER VALVE KIT - 12VDC 385311546 WATER VALVE KIT - 24VDC
13	385311547 WATER SUPPLY HOSE
14	385311009 FLUSH BALL SEAL REPL KIT **INCLUDES ITEMS 17.
15	385311292 BASE FLUSH BALL RING KIT
16	385310969 FLUSH BALL/SHAFT REPL KIT
17	385311011 BASE TO BOWL MOUNTING HARDWARE
18	385311294 BASE O'RING REPL KIT
19	385311056 ABOVE FLOOR DISCHARGE ADAPT KIT
20	385311690 CONTROL MODULE
21	385311394 FLUSH MECHANISM w/MTG BRACKET **INCLUDES ITEMS 22, 23, 24, 25, 26.
22	385311673 FLUSH ACTUATION SWITCH
23	385311296 FLUSH BALL CAM REPL KIT
24	385311393 FLUSH MECHANISM RETURN SPRING
25	385311392 FLUSH MECHANISM LINKAGE
26	385311429 FLUSH LINKAGE GUIDE BRACKET
27	385311299 MOTOR DRIVE ARM REPL KIT
28	385311300 MOTOR REPL KIT - 12VDC 385311390 MOTOR REPL KIT - 24VDC **INCLUDES ITEM 27.
29	385311754 4748 PLUG-IN BASE KIT - 12VDC 385311755 4748 PLUG-IN BASE KIT - 24VDC **INCLUDES ITEMS 8, 9, 12-18 & 20-28.
30	313535004 DOMETIC STATUS VF - BLK - 12V 313535005 DOMETIC STATUS VF - BLK - 24V

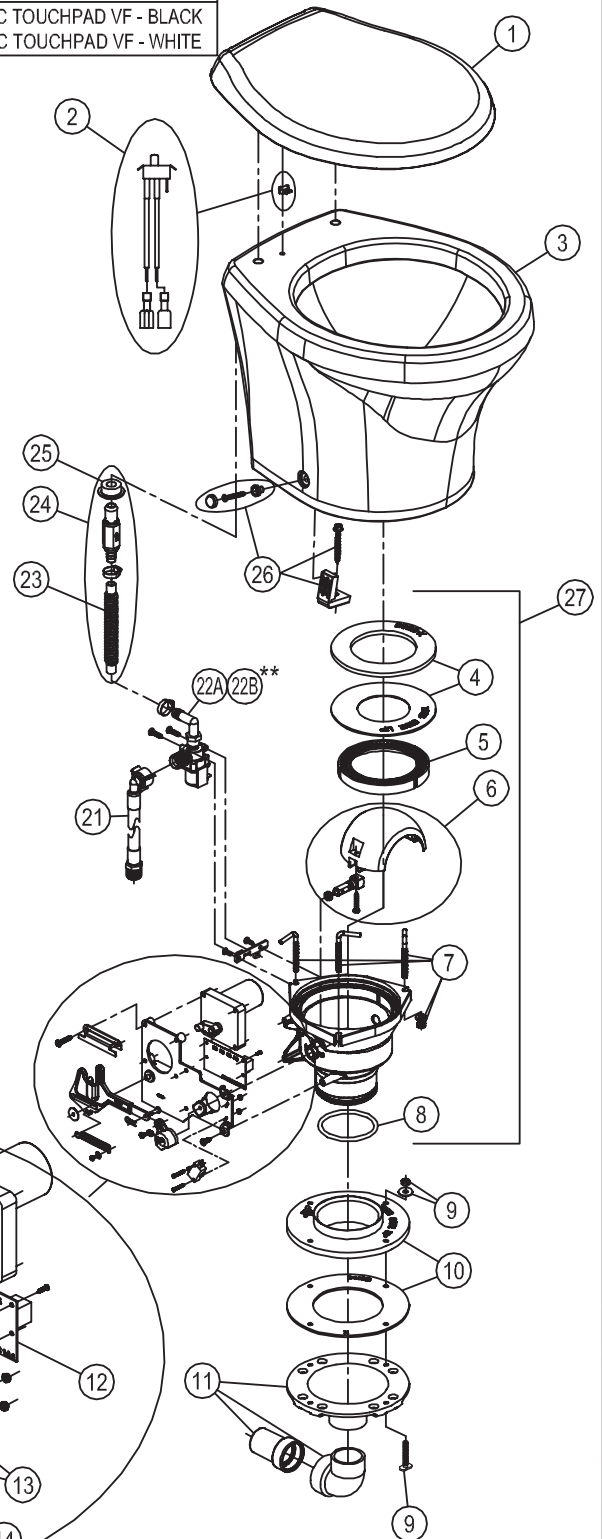


30

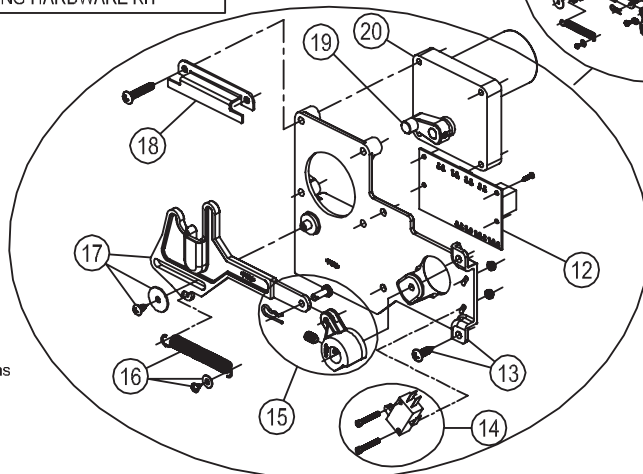
Dometic Corporation -  
Sanitation Systems  
13128 State Rt. 226, P.O. Box 38  
Big Prairie, OH 44611-0038 USA  
Telephone: 330-496-3211  
Fax: 330-496-3097  
Email: sealand@dometicusa.com

## PARTS LIST: 4806 MODEL SERIES

ITEM	PART NUMBER & DESCRIPTION			
		27	385311395 '06 PLUG-IN BASE KIT - 12VDC 385311396 '06 PLUG-IN BASE KIT - 24VDC **INCLUDES ITEMS 4-8 & 12-24.	
1	385311618 SEAT/COVER SLOW-CLOSE - WHITE 385311619 SEAT/COVER SLOW-CLOSE - BONE			
2	385311691 SERVICE SWITCH REPLACEMENT	28	313400021 DOMETIC TOUCHPAD VF - BLACK 313400022 DOMETIC TOUCHPAD VF - WHITE	
3	385311378 4800 SHORT BOWL KIT - WHITE 385311379 4800 SHORT BOWL KIT - BONE			
4	385311009 FLUSH BALL SEAL REPL KIT **INCLUDES ITEMS 7.			
5	385311292 BASE FLUSH BALL RING KIT			
6	385310969 FLUSH BALL/SHAFT REPL KIT			
7	385311011 BASE TO BOWL MOUNTING HARDWARE			
8	385311294 BASE O'RING REPL KIT			
9	385310064 FLOOR FLANGE MOUNTING HARDWARE			
10	385311013 FLOOR FLANGE ADAPTER KIT **INCLUDES ITEMS 9.			
11	385318864 VF FUNNEL KIT **INCLUDES ITEMS 9.			
12	385311690 CONTROL MODULE			
13	385311394 FLUSH MECHANISM w/MTG BRACKET **INCLUDES ITEMS 14, 15, 16, 17, 18.			
14	385311673 FLUSH ACTUATION SWITCH			
15	385311296 FLUSH BALL CAM REPL KIT			
16	385311393 FLUSH MECHANISM RETURN SPRING			
17	385311392 FLUSH MECHANISM LINKAGE			
18	385311429 FLUSH LINKAGE GUIDE BRACKET			
19	385311299 MOTOR DRIVE ARM REPL KIT			
20	385311300 MOTOR REPLACEMENT KIT - 12VDC 385311390 MOTOR REPLACEMENT KIT - 24VDC **INCLUDES ITEM 19.			
21	385311547 WATER SUPPLY HOSE			
22A	385311545 WATER VALVE KIT - 12VDC 385311546 WATER VALVE KIT - 24VDC			
22B**	385311709 RETROFIT WATER VALVE KIT - 12VDC 385311710 RETROFIT WATER VALVE KIT - 24VDC **INCLUDES MOUNTING BRACKET. **FOR 2009 & OLDER MODEL TOILETS.			
23	385311869 CORRUGATED SUPPLY HOSE			
24	385311384 CHECK VALVE w/HOSE **INCLUDES ITEM 23 & 25.			
25	385311164 1/2" SEALING GROMMET			
26	385311463 BOWL MOUNTING HARDWARE KIT			

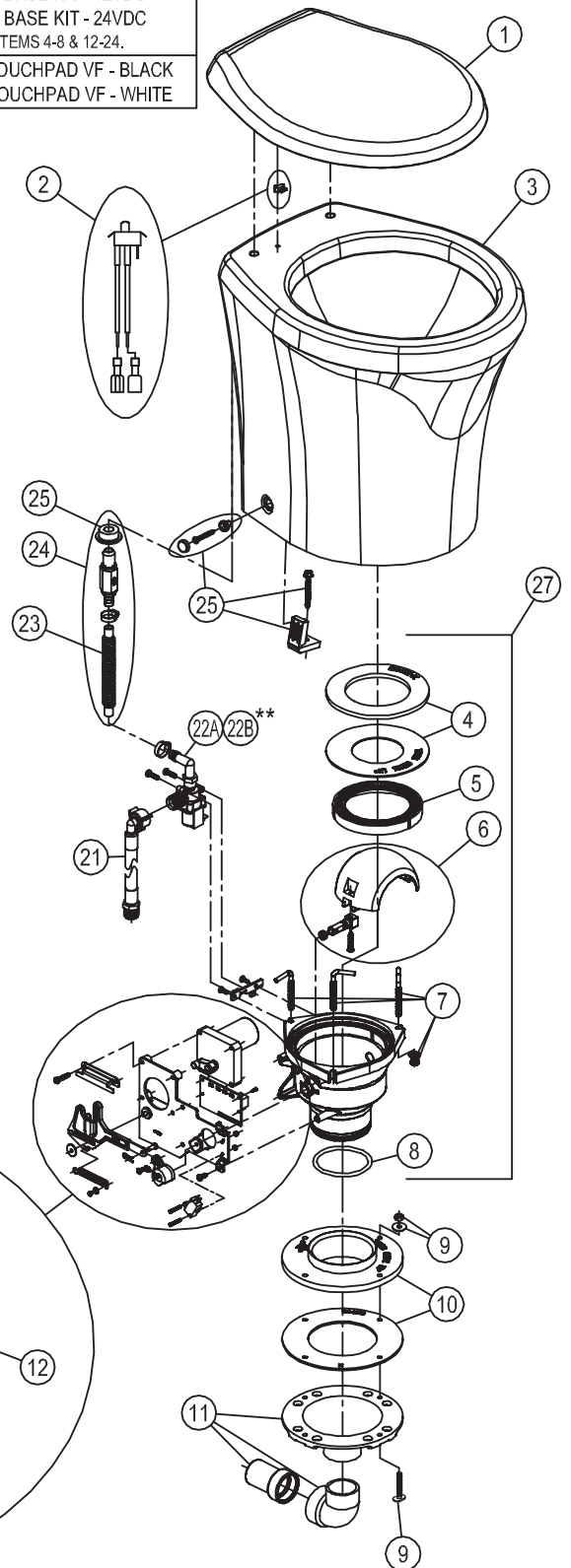


28

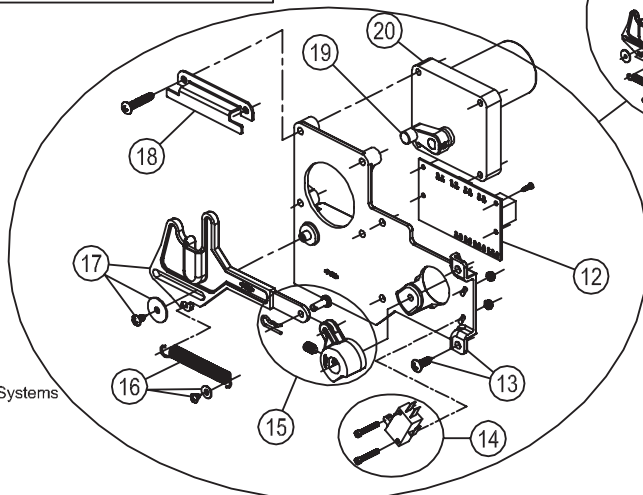


## PARTS LIST: 4809 MODEL SERIES

ITEM	PART NUMBER & DESCRIPTION	26	385311463	BOWL MOUNTING HARDWARE KIT
1	385311618 SEAT/COVER SLOW-CLOSE - WHITE	27	385311397	'09 PLUG-IN BASE KIT - 12VDC
	385311619 SEAT/COVER SLOW-CLOSE - BONE		385311398	'09 PLUG-IN BASE KIT - 24VDC **INCLUDES ITEMS 4-8 & 12-24.
2	385311691 SERVICE SWITCH REPLACEMENT	28	313400021	DOMETIC TOUCHPAD VF - BLACK
3	385311380 4800 TALL BOWL KIT - WHITE 385311381 4800 TALL BOWL KIT - BONE		313400022	DOMETIC TOUCHPAD VF - WHITE
4	385311009 FLUSH BALL SEAL REPL KIT **INCLUDES ITEMS 7.			
5	385311292 BASE FLUSH BALL RING KIT			
6	385310969 FLUSH BALL/SHAFT REPL KIT			
7	385311011 BASE TO BOWL MOUNTING HARDWARE			
8	385311294 BASE O'RING REPL KIT			
9	385310064 FLOOR FLANGE MOUNTING HARDWARE			
10	385311013 FLOOR FLANGE ADAPTER KIT **INCLUDES ITEMS 9.			
11	385318864 VF FUNNEL KIT **INCLUDES ITEMS 9.			
12	385311690 CONTROL MODULE			
13	385311394 FLUSH MECHANISM w/MTG BRACKET **INCLUDES ITEMS 14, 15, 16, 17, 18.			
14	385311673 FLUSH ACTUATION SWITCH			
15	385311296 FLUSH BALL CAM REPL KIT			
16	385311393 FLUSH MECHANISM RETURN SPRING			
17	385311392 FLUSH MECHANISM LINKAGE			
18	385311429 FLUSH LINKAGE GUIDE BRACKET			
19	385311299 MOTOR DRIVE ARM REPL KIT			
20	385311300 MOTOR REPLACEMENT KIT - 12VDC			
	385311390 MOTOR REPLACEMENT KIT - 24VDC **INCLUDES ITEM 19.			
21	385311547 WATER SUPPLY HOSE			
22A	385311545 WATER VALVE KIT - 12VDC			
	385311546 WATER VALVE KIT - 24VDC			
22B**	385311709 RETROFIT WATER VALVE KIT - 12VDC			
	385311710 RETROFIT WATER VALVE KIT - 24VDC **INCLUDES MOUNTING BRACKET. **FOR 2009 & OLDER MODEL TOILETS.			
23	385311869 CORRUGATED SUPPLY HOSE			
24	385311384 CHECK VALVE w/HOSE **INCLUDES ITEM 23 & 25.			
25	385311164 1/2" SEALING GROMMET			

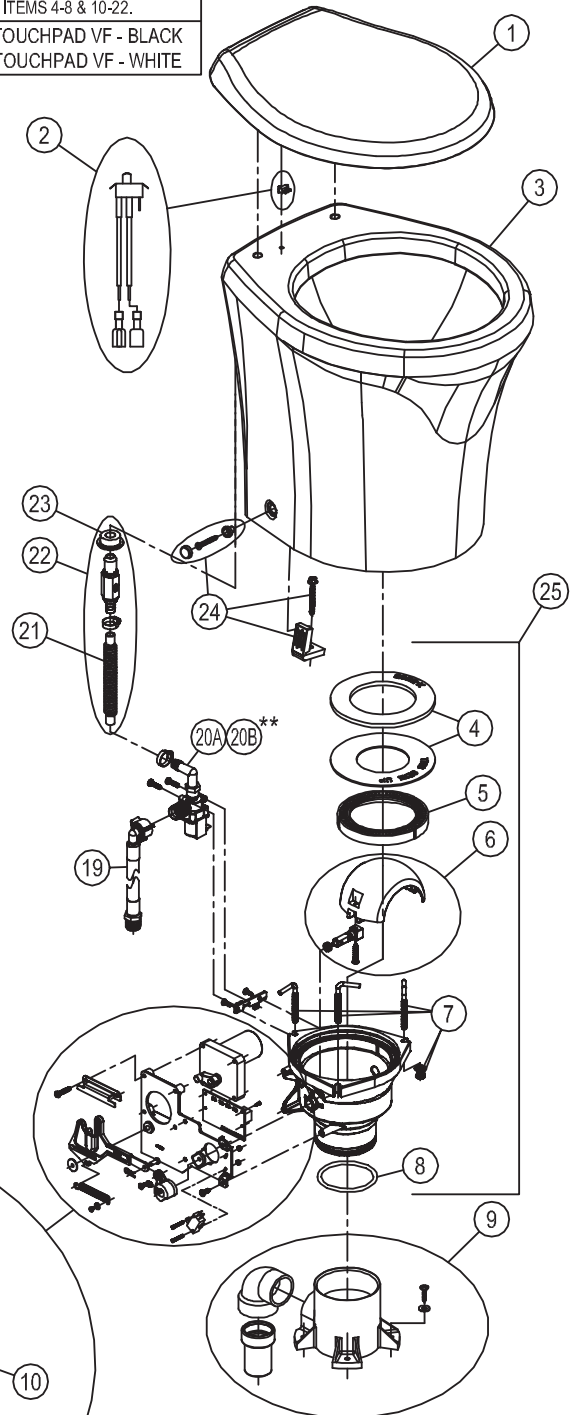


28

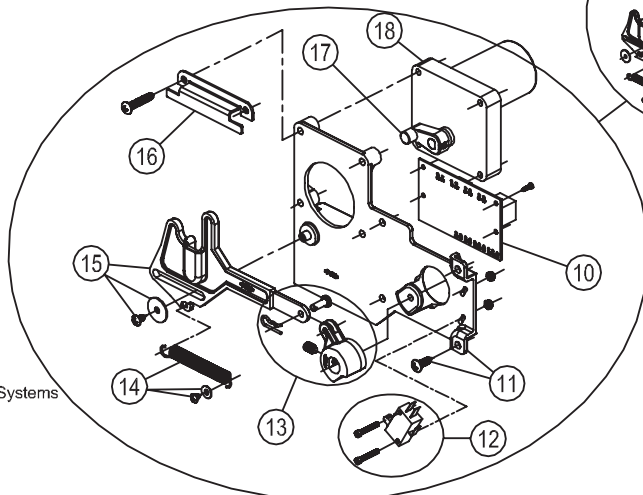


## PARTS LIST: 4848 MODEL SERIES

ITEM	PART NUMBER & DESCRIPTION			
1	385311618 SEAT/COVER SLOW-CLOSE - WHITE 385311619 SEAT/COVER SLOW-CLOSE - BONE	25	385311399 '48 PLUG-IN BASE KIT - 12VDC 385311400 '48 PLUG-IN BASE KIT - 24VDC **INCLUDES ITEMS 4-8 & 10-22.	
2	385311691 SERVICE SWITCH REPLACEMENT	27	313400021 DOMETIC TOUCHPAD VF - BLACK 313400022 DOMETIC TOUCHPAD VF - WHITE	
3	385311380 4800 TALL BOWL KIT - WHITE 385311381 4800 TALL BOWL KIT - BONE			
4	385311009 FLUSH BALL SEAL REPL KIT **INCLUDES ITEMS 7.			
5	385311292 BASE FLUSH BALL RING KIT			
6	385310969 FLUSH BALL/SHAFT REPL KIT			
7	385311011 BASE TO BOWL MOUNTING HARDWARE			
8	385311294 BASE O'RING REPL KIT			
9	385311056 ABOVE FLOOR DISCHARGE ADAPT KIT			
10	385311690 CONTROL MODULE			
11	385311394 FLUSH MECHANISM w/MTG BRACKET **INCLUDES ITEMS 12, 13, 14, 15, 16.			
12	385311673 FLUSH ACTUATION SWITCH			
13	385311296 FLUSH BALL CAM REPL KIT			
14	385311393 FLUSH MECHANISM RETURN SPRING			
15	385311392 FLUSH MECHANISM LINKAGE			
16	385311429 FLUSH LINKAGE GUIDE BRACKET			
17	385311299 MOTOR DRIVE ARM REPL KIT			
18	385311300 MOTOR REPLACEMENT KIT - 12VDC 385311390 MOTOR REPLACEMENT KIT - 24VDC **INCLUDES ITEM 17.			
19	385311547 WATER SUPPLY HOSE			
20A	385311545 WATER VALVE KIT - 12VDC 385311546 WATER VALVE KIT - 24VDC			
20B**	385311709 RETROFIT WATER VALVE KIT - 12VDC 385311710 RETROFIT WATER VALVE KIT - 24VDC **INCLUDES MOUNTING BRACKET. **FOR 2009 & OLDER MODEL TOILETS.			
21	385311869 CORRUGATED SUPPLY HOSE			
22	385311384 CHECK VALVE w/HOSE **INCLUDES ITEM 21 & 23.			
23	385311164 1/2" SEALING GROMMET			
24	385311463 BOWL MOUNTING HARDWARE KIT			

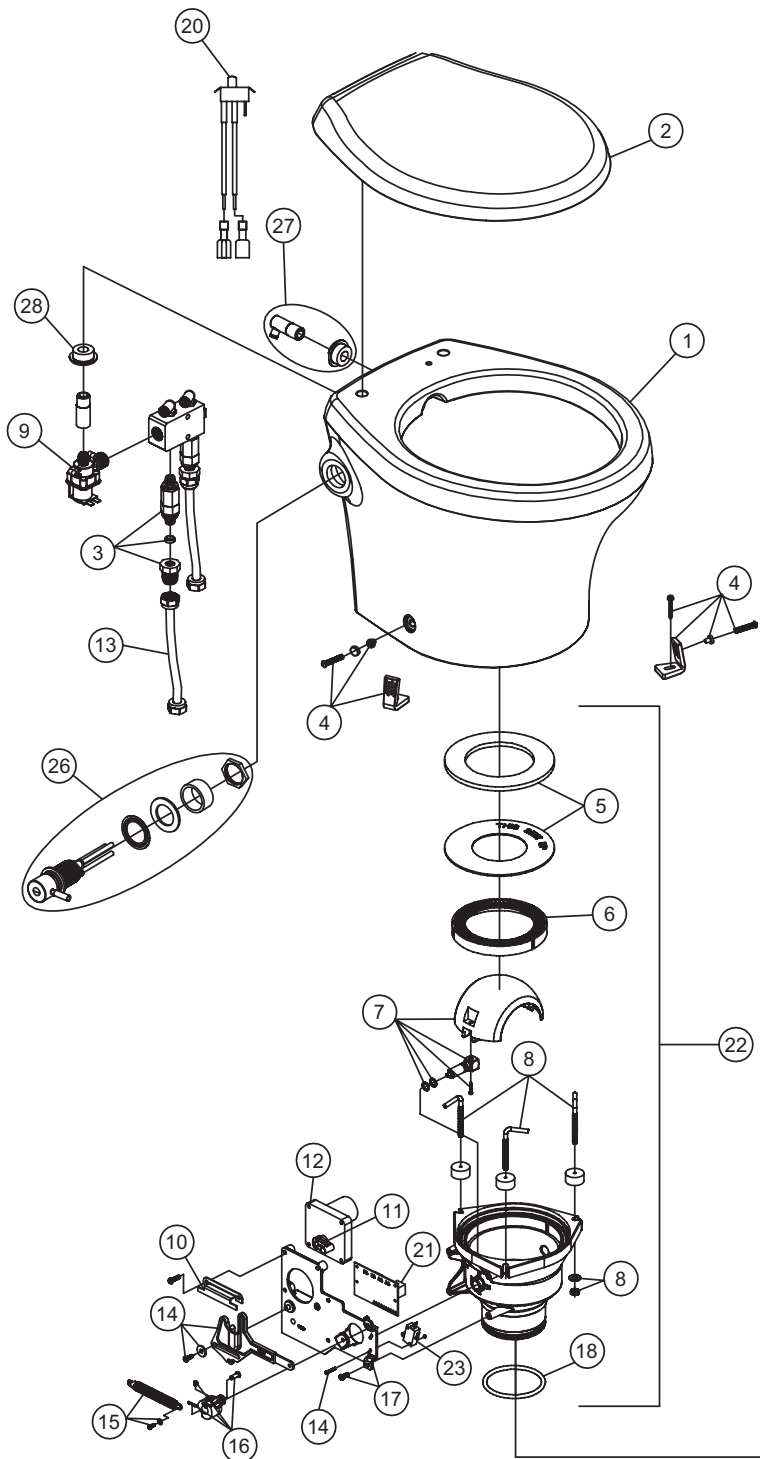


27





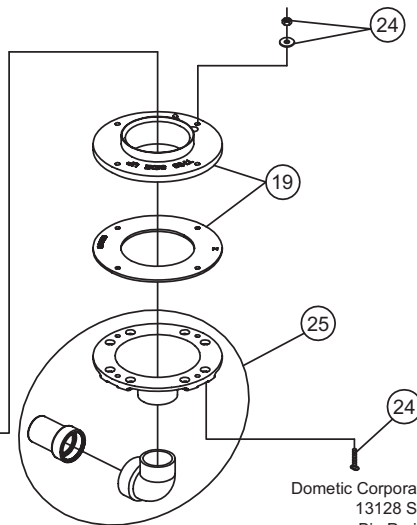
# PARTS LIST: 4826 COMBO BIDET



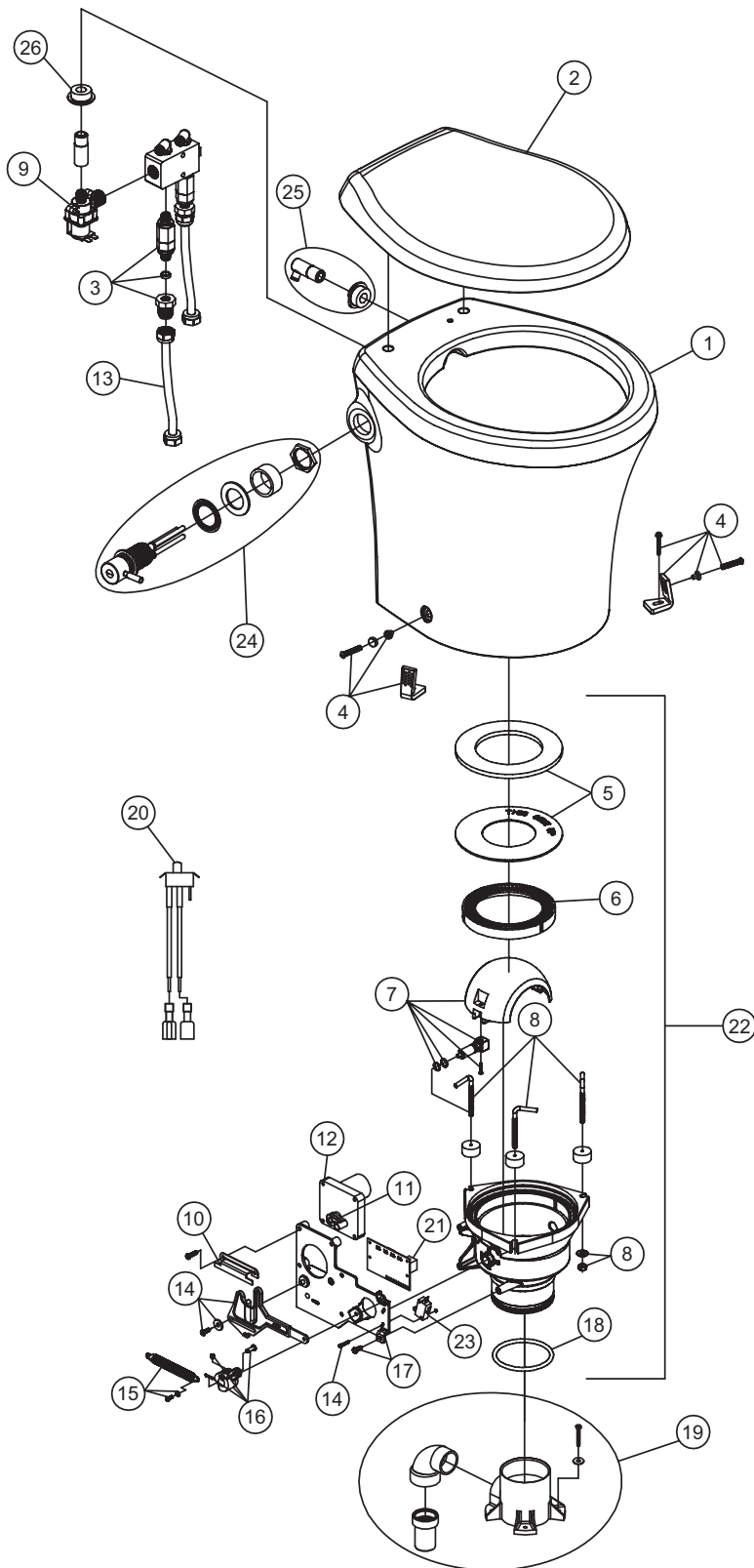
ITEM	PART NUMBER	DESCRIPTION
1	385311746	KIT, BOWL 4800 ST W/BIDET-WHT
	385311747	KIT, BOWL 4800 ST W/BIDET-BONE
2	385311618	KIT, SEAT/CVR SLOW-CLOSE/WHT
	385311383	KIT, SEAT-CV'R 4800-BONE
3	385311727	KIT, BIDET CHECKVALVE
4	385311463	KIT, 4800 CHINA MTG
5	385311009	KIT, SEAL PLUG IN BASE
6	385311292	KIT, BASE RING INSERT
7	385310969	SHAFT/ HALF BALL KIT
8	385311011	L- BOLTS/NUTS /WASH/ PLUG IN BASE
9	385880074	KIT, WATERVALVE 12VDC-MFLUSH
	385880075	KIT, WATERVALVE 24VDC-MFLUSH
10	385311429	KIT, LINKAGE GUIDE BRACKET
11	385311299	KIT, MTR DRIVE ARM 4300/4400
12	385311300	KIT, MOTOR REPL 4800 (INC. ITEM 11) 12VDC
	385311390	KIT, MOTOR REPL 4800 (INC. ITEM 11) 24VDC
13	385311018	KIT, PLUG-IN SUPPLY HOSE
14	385311392	KIT, LINKAGE DRIVE 4800
15	3853111393	KIT, FLUSH SPRING 4800
16	385311296	KIT, ROTOR SHAFT CAM 4300/4400
17	385311394	KIT, MTG BRACKET 4800
18	385311294	KIT, O'RING PLUG-IN BASE
19	385311013	KIT, CON'TO FLOOR FLANGE ADPT
20	385311691	KIT, 4800 MODE SWITCH
21	385311690	KIT, CIRUITBD MECHANICAL BASE

THE FOLLOWING BASE KITS CONTAIN ITEMS 5-8,10-12,14-18,21,23

22	385311740	KIT, BASE 4826 W/BIDET COMP-12
	385311741	KIT, BASE 4826 W/BIDET COMP-24
23	385311003	KIT, CON'TO FLUSH SWITCH
24	385310064	KIT, MOUNT-TRAVELER-506/806
25	385318864	KIT, FUNNEL 506/806/706 (INC. 24)
26	385311721	KIT, BIDET FLUSH VALVE
27	385311722	KIT, BIDET NOZZLE
28	385311164	KIT, SEALING GROMMET 1/2"

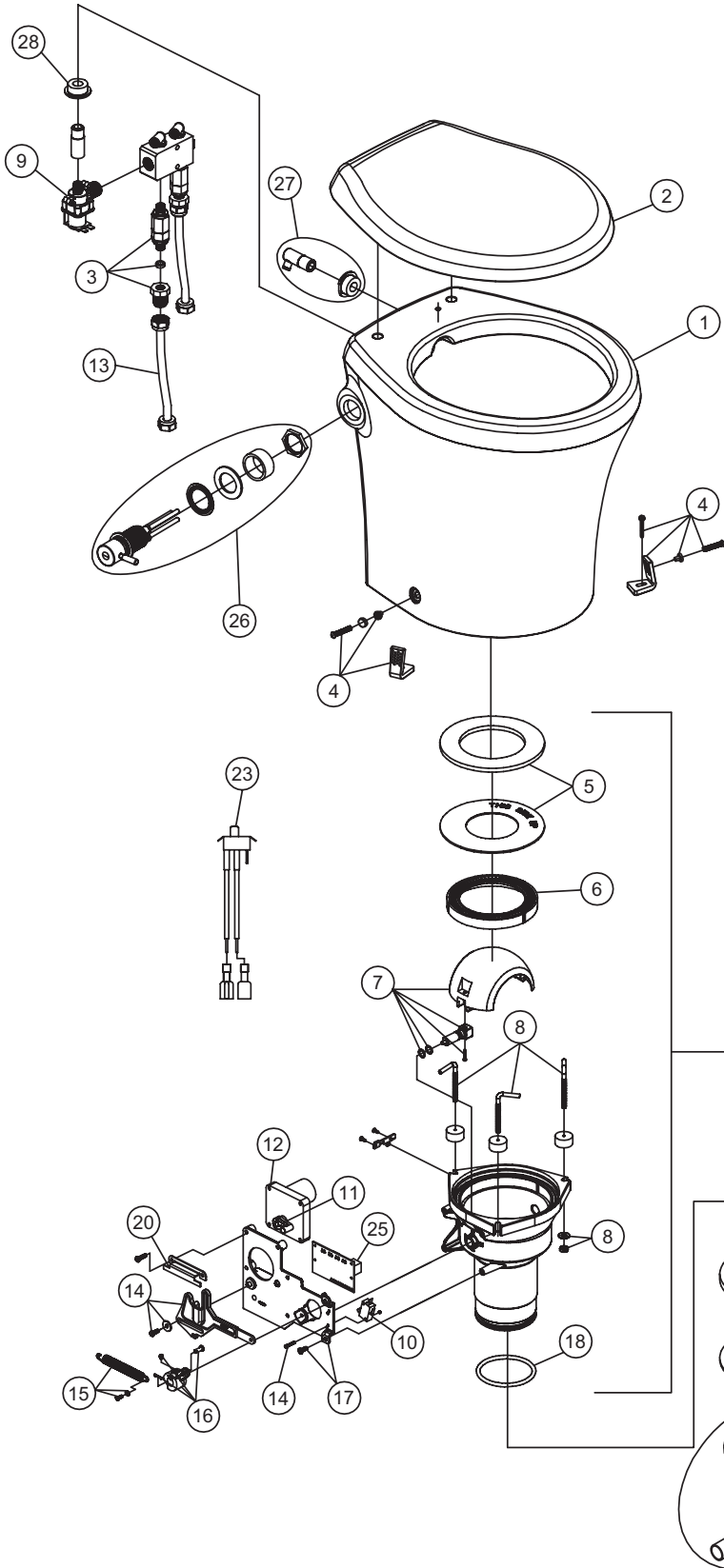


# PARTS LIST: 4828 COMBO BIDET



ITEM	PART NUMBER	DESCRIPTION
1	385311744	KIT, BOWL 4800 TL W/BIDET-WHT
	385311745	KIT, BOWL 4800 TL W/BIDET-BONE
2	385311618	KIT, SEAT/CVR SLOW-CLOSE/WHT
	385311383	KIT, SEAT-CV'R 4800-BONE
3	385311727	KIT, BIDET CHECKVALVE
4	385311463	KIT, 4800 CHINA MTG
5	385311009	KIT, SEAL PLUG IN BASE
6	385311292	KIT, BASE RING INSERT
7	385310969	SHAFT/ HALF BALL KIT
8	385311011	L- BOLTS/NUTS /WASH/ PLUG IN BASE
9	385880074	KIT, WATERVALVE 12VDC-M'FLUSH
	385880075	KIT, WATERVALVE 24VDC-M'FLUSH
10	385311429	KIT, LINKAGE GUIDE BRACKET
11	385311299	KIT, MTR DRIVE ARM 4300/4400
12	385311300	KIT, MOTOR REPL 4800 (INC.11) 12VDC
	385311390	KIT, MOTOR REPL 4800 (INC.11) 24VDC
13	385311018	KIT, PLUG-IN SUPPLY HOSE
14	385311392	KIT, LINKAGE DRIVE 4800
15	3853111393	KIT, FLUSH SPRING 4800
16	385311296	KIT, ROTOR SHAFT CAM 4300/4400
17	385311394	KIT, MTG BRACKET 4800 (INC. 10,14-16, 23)
18	385311294	KIT, O'RING PLUG-IN BASE
19	385311056	KIT, PLUGIN BASE '48 ADAPTER
20	385311691	KIT, 4800 MODE SWITCH
21	385311690	KIT, CIRCUITBD MECHANICAL BASE
THE FOLLOWING BASE KITS CONTAIN ITEMS 5-8,10-12,14-18,21,23		
22	385311742	KIT, BASE 4828 W/BIDET COMP-12
	385311743	KIT, BASE 4828 W/BIDET COMP-24
23	385311003	KIT, CON'TO FLUSH SWITCH
24	385311721	KIT, BIDET FLUSH VALVE
25	385311722	KIT, BIDET NOZZLE
26	385311164	KIT, SEALING GROMMET 1/2"

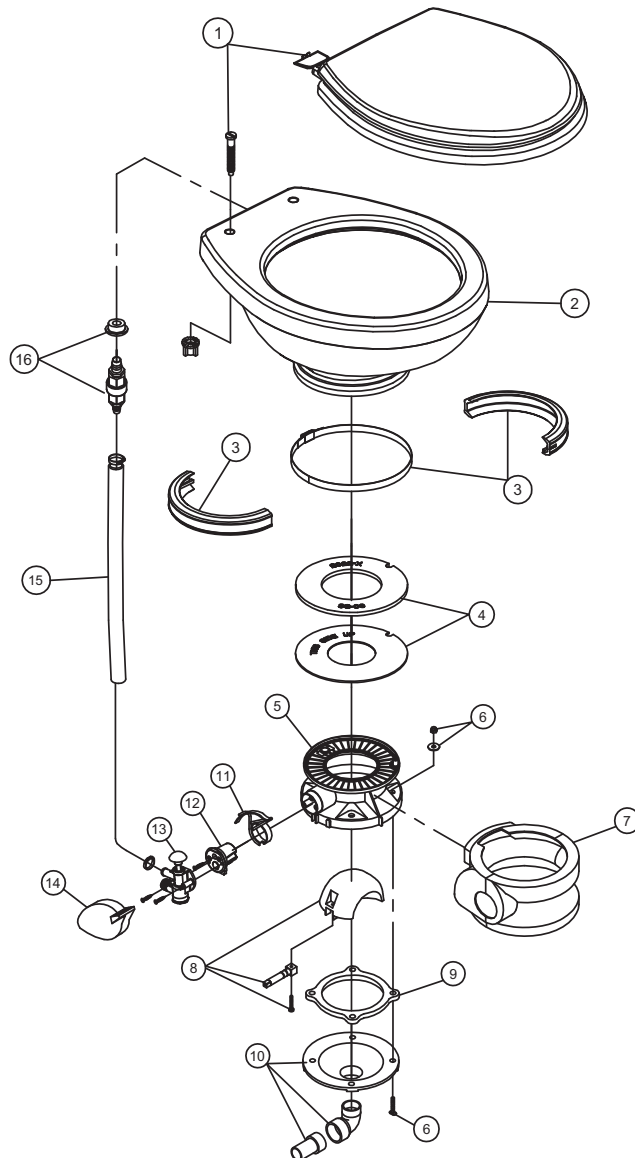
# PARTS LIST: 4829 COMBO BIDET



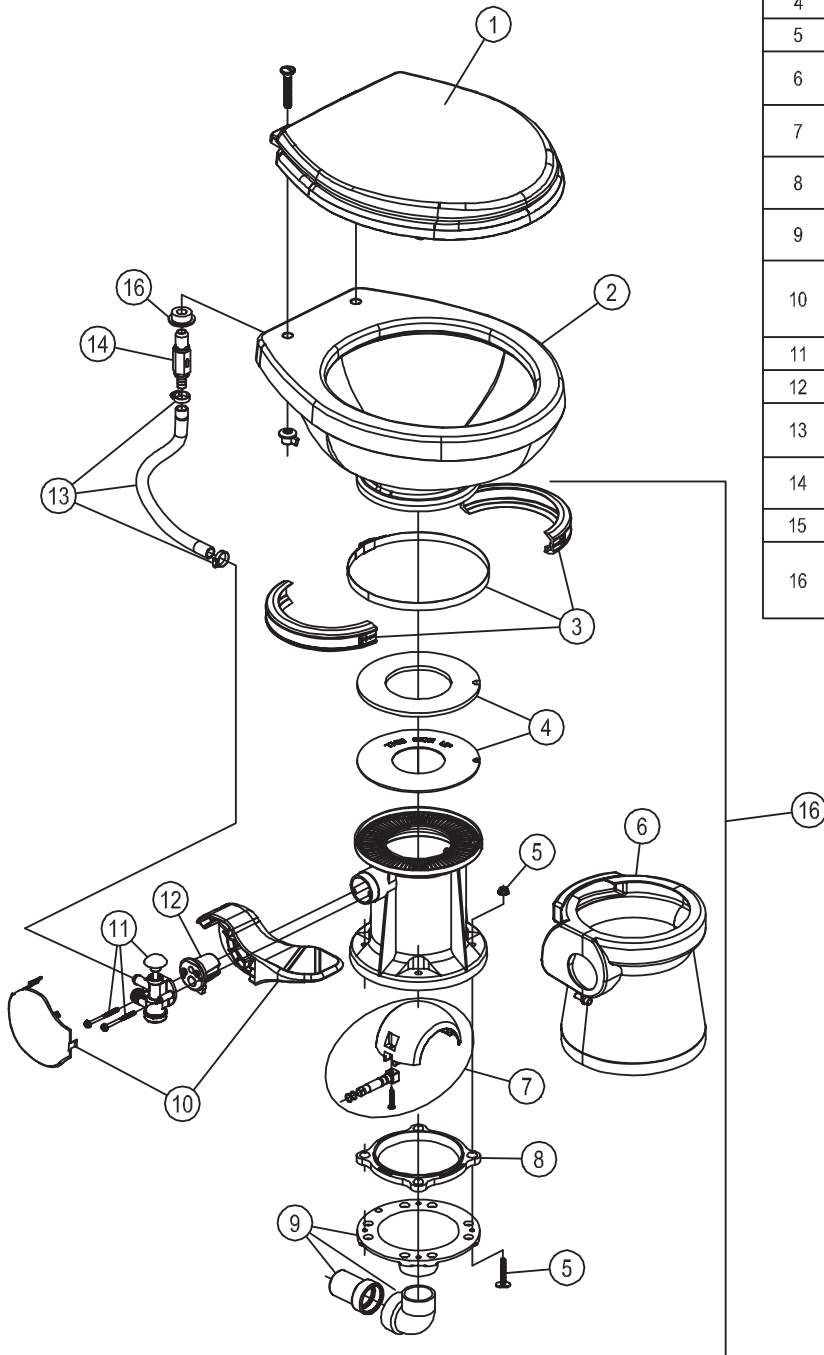
ITEM	PART NUMBER	DESCRIPTION
1	385311744	KIT, BOWL 4800 TL W/BIDET-WHT
	385311745	KIT, BOWL 4800 TL W/BIDET-BONE
2	385311618	KIT, SEAT/CVR SLOW-CLOSE/WHT
	385311383	KIT, SEAT-CV'R 4800-BONE
3	385311727	KIT, BIDET CHECKVALVE
4	385311463	KIT, 4800 CHINA MTG
5	385311009	KIT, SEAL PLUG IN BASE
6	385311292	KIT, BASE RING INSERT
7	385310969	KIT, MO HALF'BL/SHAFT AY-WHT
8	385311011	KIT, CON'TO L-BOLT/NUTS/WSHR
9	385880074	KIT, WATERVALVE 12VDC-MFLUSH
	385880075	KIT, WATERVALVE 24VDC-MFLUSH
10	385311673	KIT, FLUSH ACUATION SWITCH
11	385311299	KIT, MTR DRIVE ARM 4300/4400
12	385311300	KIT, MOTOR REPL 4800 (INC. 11) 12VDC
	385311390	KIT, MOTOR REPL 4800 (INC. 11) 24VDC
13	385311018	KIT, PLUG-IN SUPPLY HOSE
14	385311392	KIT, LINKAGE DRIVE 4800
15	385311393	KIT, FLUSH SPRING 4800
16	385311296	KIT, ROTOR SHAFT CAM 4300/4400
17	385311394	KIT, MTG BRACKET 4800 (INC.10,11,14-16,20)
18	385311294	KIT, O'RING PLUG-IN BASE
19	385318864	KIT, FUNNEL 506/806/706 (INC. ITEM 22)
20	385311429	KIT, LINKAGE GUIDE BRACKET
21	385311013	FLOOR FLANGE ADAPTER KIT (INC.22)
22	385310064	KIT, MOUNT-TRAVELER-506/806
23	385311691	KIT, 4800 MODE SWITCH
THE FOLLOWING BASE KITS CONTAIN ITEMS 5-8,10-12,14-18,20,25		
24	385311738	KIT, BASE 4829 W/BIDET COMP-12
	385311739	KIT, BASE 4829 W/BIDET COMP-24
25	385311690	KIT, CIRUITBD MECHANICAL BASE

## PARTS LIST: VACUFLUSH 5006

ITEM	PART NO.	DESCRIPTION	ITEM	PART NO.	DESCRIPTION
1	385343829	SEAT & LID ASSEMBLY, WHITE	8	385318162	BALL/SHAFT/CARTRIDGE KIT (inc. item 12)
	385343831	SEAT & LID ASSEMBLY, BONE	9	385310063	FLOOR FLANGE SEAL KIT (inc.item 6)
2	385311079	CHINA BOWL, WHITE	10	385318864	FUNNEL KIT (inc.item 6 & 9)
	385311080	CHINA BOWL, BONE	11	385310579	FLUSH PEDAL KIT- (inc.item 12)
3	385310048	HALF CLAMP KIT, BONE	12	385236096	SPRING CARTRIDGE KIT
4	385311462	KIT, SEAL KIT-VACUFLUSH	13	385314349	WATER VALVE KIT
5	385310132	BASE KIT, WHITE (inc. items 3 -14)	14	385310117	PEDAL COVER, WHITE
	385310133	BASE KIT, BONE (inc. items 3 -14)		385310118	PEDAL COVER, BONE
6	385310064	MOUNTING KIT	15	385345377	SUPPLY HOSE, WHITE
7	385310108	PEDESTAL COVER KIT, WHITE		385340177	SUPPLY HOSE, BONE
	385310109	PEDESTAL COVER KIT, BONE	16	385311456	KIT, CHECK VALVE



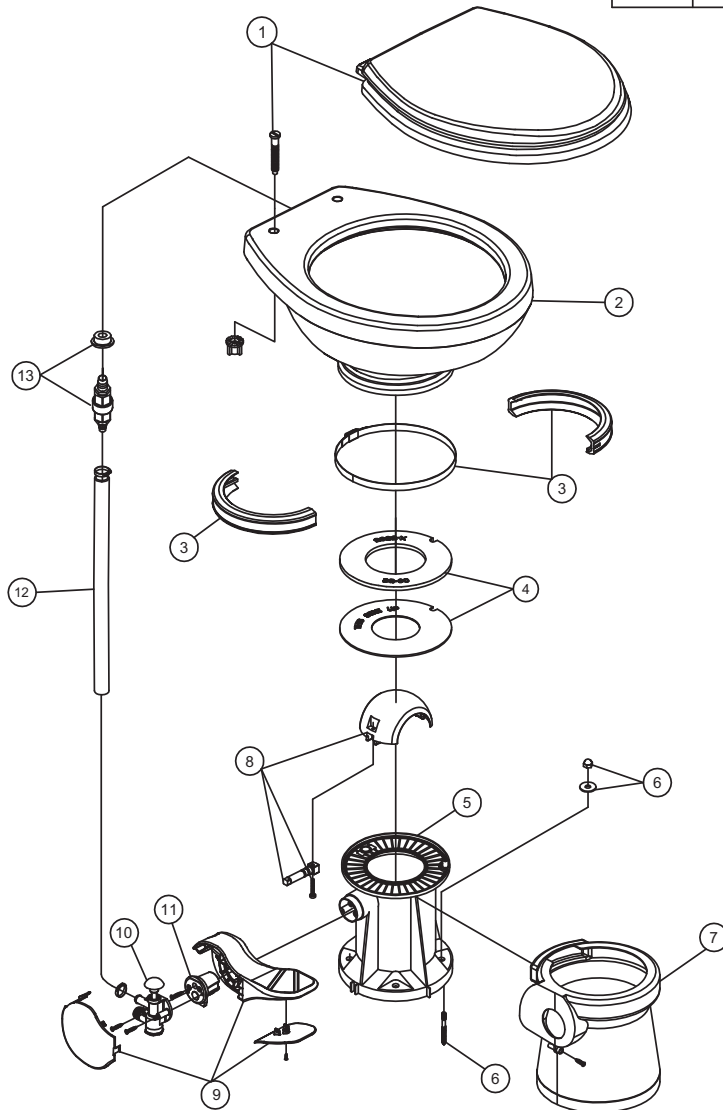
## PARTS LIST: VACUFLUSH 5009 SERIES



ITEM	PART NUMBER & DESCRIPTION
1	385343829 SEAT/COVER - WHITE 385343831 SEAT/COVER - BONE
2	385311079 CHINA BOWL KIT - WHITE 385311080 CHINA BOWL KIT - BONE
3	385310048 BOWL/BASE CLAMP KIT
4	385311462 FLUSH BALL SEAL REPL KIT
5	385310064 MOUNTING HARDWARE
6	385310111 PEDESTAL COVER - WHITE 385310112 PEDESTAL COVER - BONE
7	385310954 FLUSH BALL, SHAFT, CARTRIDGE KIT **INCLUDES ITEM 12.
8	385310063 FLOOR FLANGE SEAL **INCLUDES ITEM 5
9	385318864 FUNNEL KIT ('06/'09 MODELS) **INCLUDES ITEM 5 & 8
10	385310682 PEDAL/CARTRIDGE KIT - WHITE 385310762 PEDAL/CARTRIDGE KIT - BONE **INCLUDES ITEM 12
11	385314349 WATER VALVE KIT
12	385310683 SPRING CARTRIDGE KIT
13	385345377 BOWL WATER SUPPLY HOSE - WHITE 385340177 BOWL WATER SUPPLY HOSE - BONE
14	385311456 CHECK VALVE KIT **INCLUDES ITEM 15
15	385311164 1/2" SEALING GROMMET
16	385311081 '09 BASE KIT PLASTIC PEDAL - WHITE 385310978 '09 BASE KIT PLASTIC PEDAL - BONE **INCLUDES ITEMS 3-12

## PARTS LIST: VACUFLUSH 5047-5048-5049

ITEM	PART NO.	DESCRIPTION	ITEM	PART NO.	DESCRIPTION
1	385343829	SEAT & LID ASSEMBLY, WHITE	7	385310674	5047 PEDESTAL COVER KIT, WHITE
	385343831	SEAT & LID ASSEMBLY, BONE		385310613	5047 PEDESTAL COVER KIT, BONE
2	385311079	CHINA BOWL, WHITE		385310136	5048 PEDESTAL COVER KIT, WHITE
	385311080	CHINA BOWL, BONE		385310137	5048 PEDESTAL COVER KIT, BONE
3	385310048	HALF CLAMP KIT, BONE		385310904	5049 PEDESTAL COVER KIT, WHITE
4	385311462	KIT, SEAL KIT-VACUFLUSH		385310913	5049 PEDESTAL COVER KIT, BONE
5	385311084	5047 BASE KIT, WHITE (INC. 3-11)		8	385310954
	385311085	5047 BASE KIT, BONE (INC. 3-11)	9	385310682	FLUSH PEDAL KIT-WHITE (INC. 11)
	385310910	5048 BASE KIT, WHITE (INC. 3-11)		385310762	FLUSH PEDAL KIT-BONE (INC. 11)
	385311086	5048 BASE KIT, BONE (INC. 3-11)	10	385314349	WATER VALVE KIT
	385310903	5049 BASE KIT, WHITE (INC. 3-11)	11	385310683	SPRING CARTRIDGE KIT
	385311087	5049 BASE KIT, BONE (INC. 3-11)	12	385345377	SUPPLY HOSE, WHITE
6	385316323	MOUNTING KIT		385340177	SUPPLY HOSE, BONE
			13	385311456	INLINE CHECK VALVE, KIT



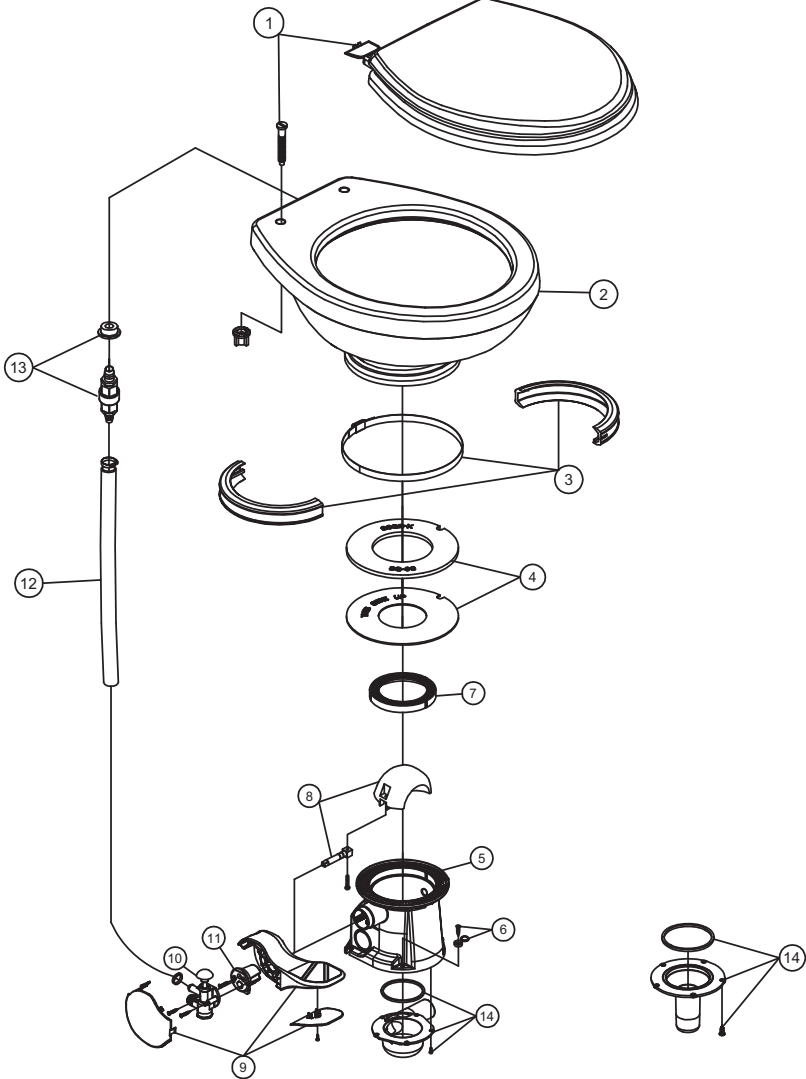
TOILET MODEL	DISCHARGE LOCATION
5047	OPPOSITE PEDAL
5048	REAR OF TOILET
5049	UNDER PEDAL

**Dometic Sealand**

Dometic Corporation - Sanitation Systems  
13128 State Rt. 226, P.O. Box 38  
Big Prairie, OH 44611-0038 USA  
Telephone: 330-496-3211  
Fax: 330-496-3097  
Email: sealand@dometicusa.com

**PARTS LIST: VACUFLUSH 5146 - 5147- 5148 - 5149**

ITEM	PART NO.	DESCRIPTION	ITEM	PART NO.	DESCRIPTION
1	385343829	SEAT & LID ASSEMBLY, WHITE	6	385310679	KIT, MOUNTING-ECOVCAC - WHITE
	385343831	SEAT & LID ASSEMBLY, BONE		385310785	KIT, MOUNTING-ECOVCAC - BONE
2	385311079	CHINA BOWL, WHITE	7	385311292	KIT, BASE RING INSERT
	385311080	CHINA BOWL, BONE	8	385310954	KIT, BALL/BRASS SHAFT/P CART (INC. 11)
3	385310048	HALF CLAMP KIT, BONE	9	385310682	FLUSH PEDAL KIT-WHITE (INC. 11)
	385310025	HALF CLAMP KIT, WHITE		385310762	FLUSH PEDAL KIT-BONE (INC. 11)
4	385311462	KIT, SEAL KIT-VACUFLUSH	10	385314349	WATER VALVE KIT
5	385310685	KIT, ECOVAC RH DISC BASE-W (INC. 3-11 & 14)	11	385310683	SPRING CARTRIDGE KIT
	385310783	KIT, EVAC RH DISH BASE/B (INC. 3-11 & 14)	12	385345377	SUPPLY HOSE, WHITE
	385310686	KIT, EVAC REAR DISC BASE-W (INC. 3-11 & 14)		385340177	SUPPLY HOSE, BONE
	385310784	KIT, ECO RER DISH BASE/BON (INC. 3-11 & 14)	13	385311456	INLINE CHECK VALVE, KIT
	385310975	KIT, BASE LH WHITE-ECOVCAC (INC. 3-11 & 14)	14	385311713	KIT, DISCHARGE 146-ECOVCAC
	385310976	KIT, BASE LH BONE-ECOVCAC (INC. 3-11 & 14)		385310680	DISCHARGE CUP 47 - 48, KIT
		385310936		DISCHARGE CUP 49, KIT	

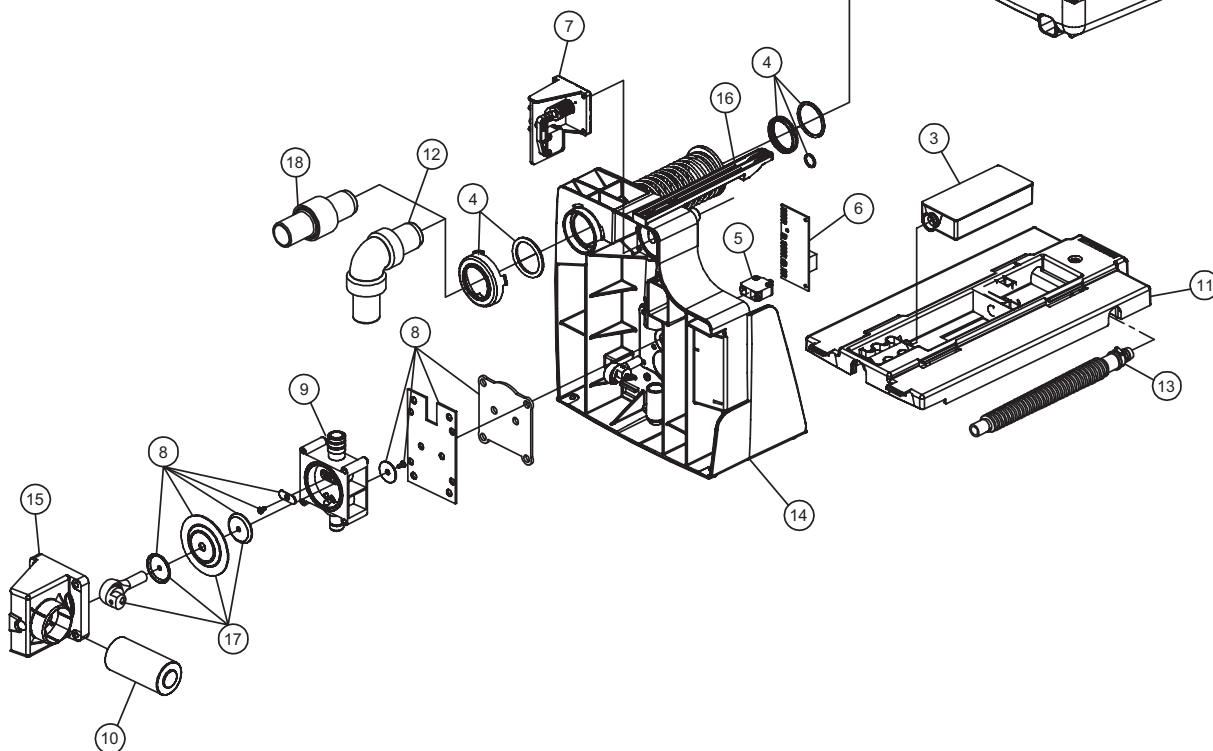
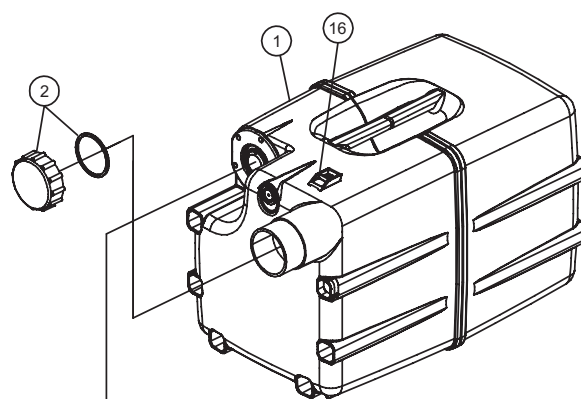


TOILET MODEL	DISCHARGE LOCATION
5146	THRU THE FLOOR
5147	OPPOSITE PEDAL
5148	REAR OF TOILET
5149	UNDER PEDAL

**Dometic** Sealand  
Dometic Corporation - Sanitation Systems  
13128 State Rt. 226, P.O. Box 38  
Big Prairie, OH 44611-0038 USA  
Telephone: 330-496-3211  
Fax: 330-496-3097  
Email: sealand@dometicusa.com

## PARTS LIST: CVT MARINE 326002510

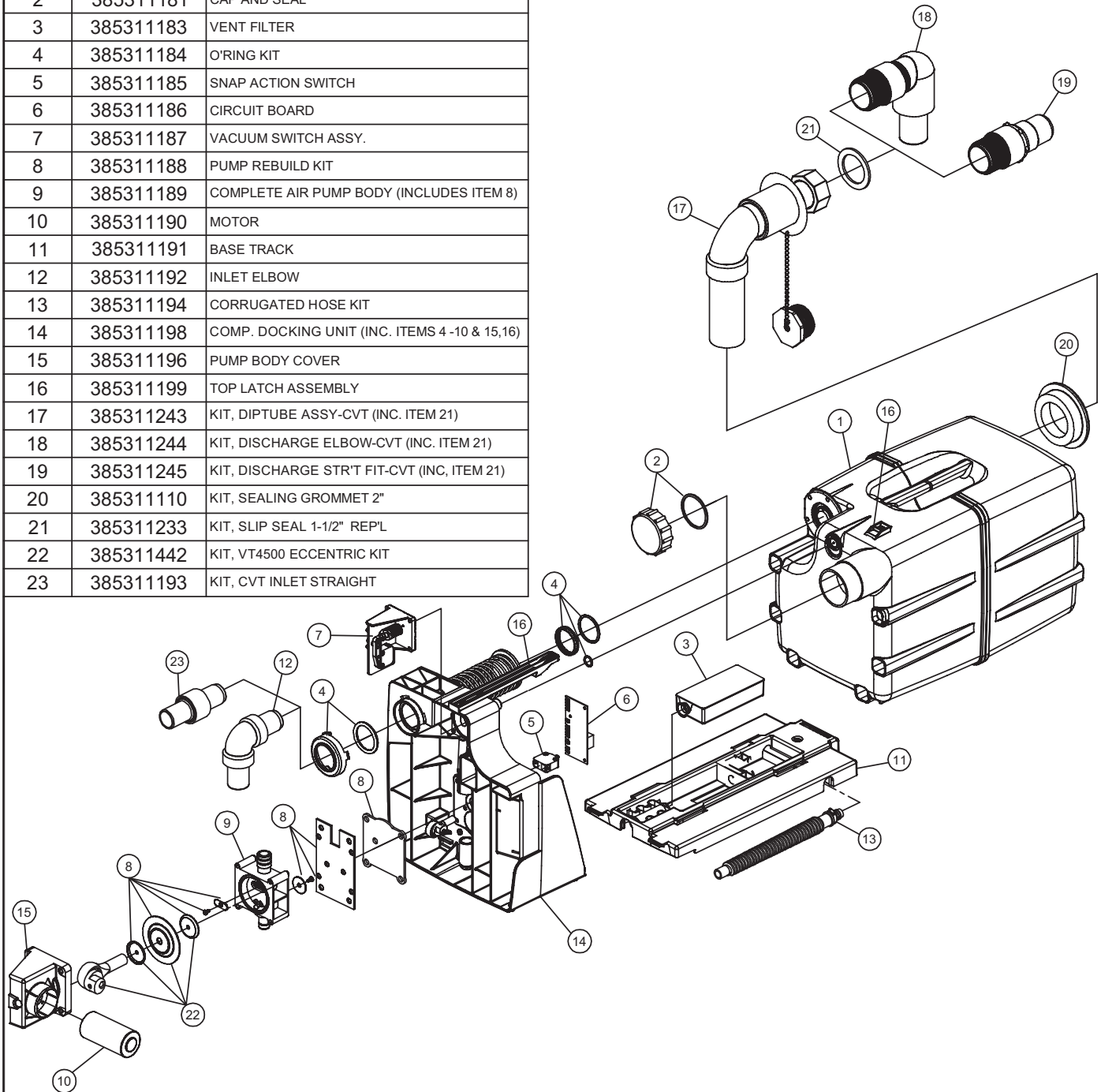
ITEM	PART NO.	DESCRIPTION
1	385311326	HOLDING TANK ( INC. ITEM 2 & 16)
2	385311181	CAP AND SEAL
3	385311183	VENT FILTER
4	385311184	O'RING KIT
5	385311185	SNAP ACTION SWITCH
6	385311186	CIRCUIT BOARD
7	385311187	VACUUM SWITCH ASSY.
8	385311188	PUMP REBUILD KIT
9	385311189	COMPLETE AIR PUMP BODY (INC. ITEM 8)
10	385311190	MOTOR
11	385311191	BASE TRACK
12	385311192	INLET ELBOW
13	385311194	CORRUGATED HOSE KIT
14	385311198	COMP. DOCKING UNIT (INC. ITEMS 4 -10 & 15-16)
15	385311196	PUMP BODY COVER
16	385311199	TOP LATCH ASSEMBLY
17	385311442	KIT, VT4500 ECCENTRIC KIT
18	385311193	KIT, CVT INLET STRAIGHT





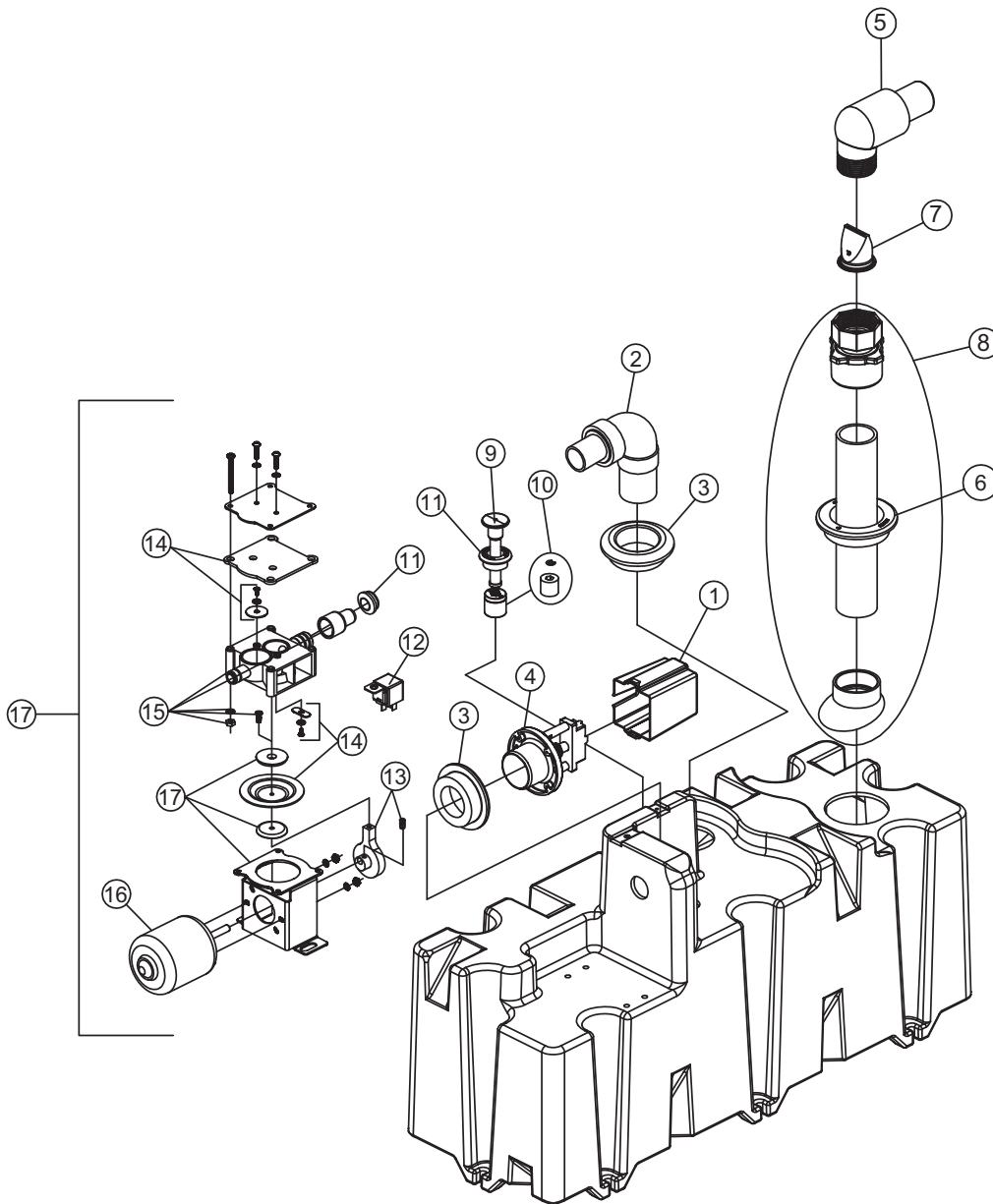
## PARTS LIST: CVT MARINE 326002520 & 326002521

ITEM	PART NO.	DESCRIPTION
1	385311182	HOLDING TANK ( INCLUDES ITEM 2 ,16,17,20,21)
2	385311181	CAP AND SEAL
3	385311183	VENT FILTER
4	385311184	O'RING KIT
5	385311185	SNAP ACTION SWITCH
6	385311186	CIRCUIT BOARD
7	385311187	VACUUM SWITCH ASSY.
8	385311188	PUMP REBUILD KIT
9	385311189	COMPLETE AIR PUMP BODY (INCLUDES ITEM 8)
10	385311190	MOTOR
11	385311191	BASE TRACK
12	385311192	INLET ELBOW
13	385311194	CORRUGATED HOSE KIT
14	385311198	COMP. DOCKING UNIT (INC. ITEMS 4 -10 & 15,16)
15	385311196	PUMP BODY COVER
16	385311199	TOP LATCH ASSEMBLY
17	385311243	KIT, DIPTUBE ASSY-CVT (INC. ITEM 21)
18	385311244	KIT, DISCHARGE ELBOW-CVT (INC. ITEM 21)
19	385311245	KIT, DISCHARGE STR'T FIT-CVT (INC. ITEM 21)
20	385311110	KIT, SEALING GROMMET 2"
21	385311233	KIT, SLIP SEAL 1-1/2" REPL
22	385311442	KIT, VT4500 ECCENTRIC KIT
23	385311193	KIT, CVT INLET STRAIGHT



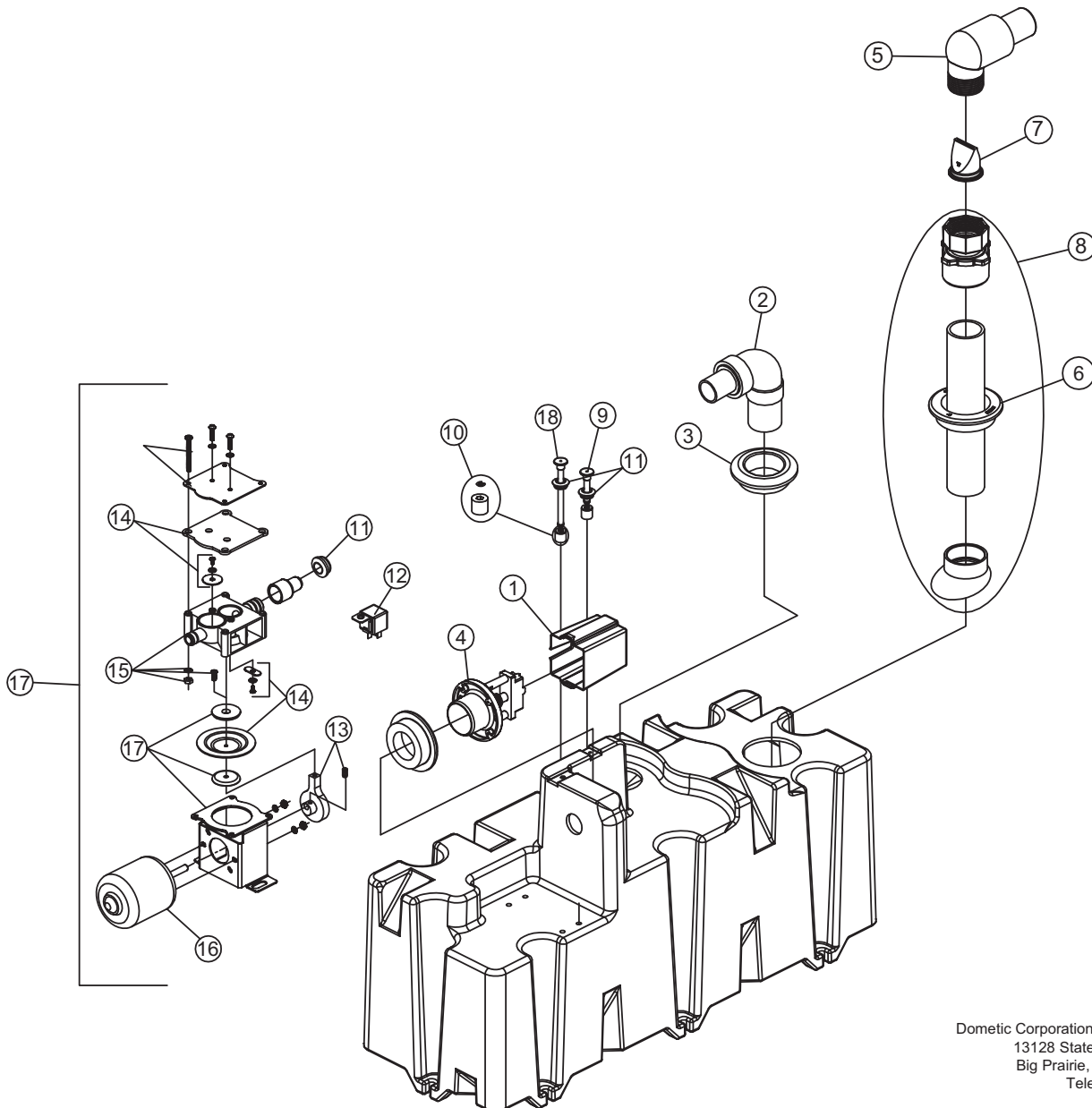
## PARTS LIST: VACUUM HOLDING TANK MODEL - 317769012

ITEM	PART NO.		ITEM	PART NO.	DESCRIPTION
1	385311420	KIT, SNAP-ON VAC SW'CH CVR-BLK	10	385311103	KIT, SWITCH FLOAT & LOCK RING
2	385310635	INLET ELBOW KIT (INCLUDES ITEM 3)	11	385311164	KIT, SEALING GROMMET 1/2"
3	385311111	1-1/2" SEALING GROMMET	12	385311774	KIT, RELAY SPDT 12V VF4
4	385311436	KIT, VACUUM SWITCH (INC 3)	13	385310631	KIT, CONNECTING ROD-AIR PUMP
5	385311069	KIT, THR'D ELBOW W/HOSE ADAPT	14	385311040	KIT, VHT AP VALVE REP'L
6	385311110	KIT, 2" SEALING GROMMET	15	385311440	KIT, VT4500 AIRPUMP ASSY (INC. 14)
7	385310076	KIT, DUCKBILL VALVE	16	385310664	KIT, MOTOR-VHT
8	385311421	KIT, DIPTUBE W/SWIVEL NUT (INC 6)	17	385310642	KIT, VHT AIR PUMP-COMP (INC 13,14,15,16)
9	385310629	KIT, FULL INDICATOR-VHT (INC 11)			



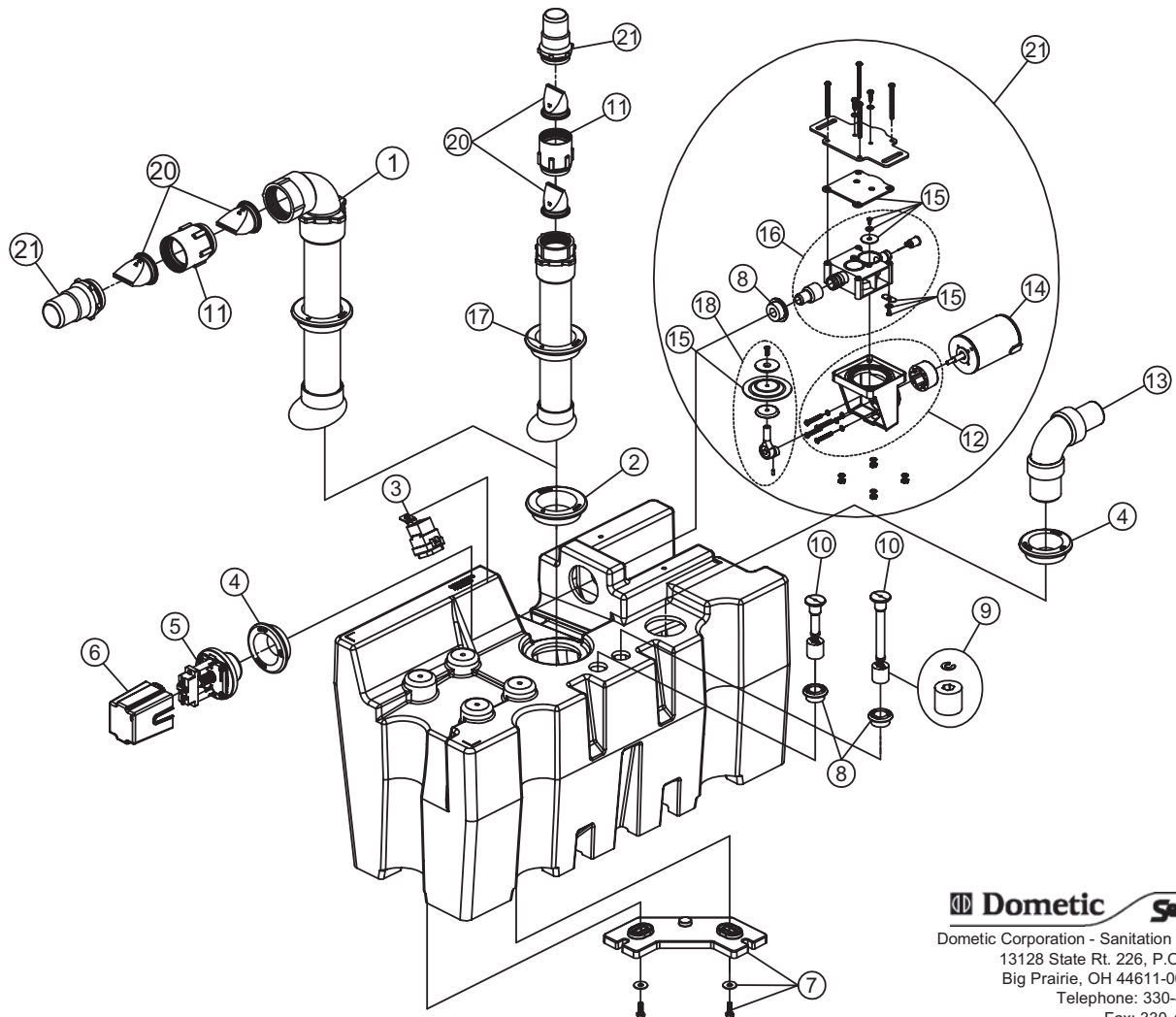
## PARTS LIST: VACUUM HOLDING TANK MODEL - 317769212

ITEM	PART NO.	DESCRIPTION	ITEM	PART NO.	DESCRIPTION
1	385311420	KIT, SNAP-ON VAC SW'CH CVR-BLK	10	385311103	KIT, SWITCH FLOAT & LOCK RING
2	385310635	KIT, INLET ELBOW-UNISEAL (INC 3)	11	385311164	KIT, SEALING GROMMET 1/2"
3	385311111	KIT, SEALING GROMMET 1-1/2"	12	385311774	KIT, RELAY SPDT 12V VF4
4	385311436	KIT, VACUUM SWITCH (INC 3)	13	385310631	KIT, CONNECTING ROD-AIR PUMP
5	385311069	KIT, THR'D ELBOW W/HOSE ADAPT	14	385311040	KIT, VHT AP VALVE REPL
6	385311110	KIT, SEALING GROMMET 2"	15	385311440	KIT, VT4500 AIRPUMP ASSY (INC 14)
7	385310076	KIT, DB VALVE 1-1/2"-BLACK (2)	16	385310664	KIT, MOTOR-VHT
8	385311421	KIT, DIPTUBE W/SWIVEL NUT	17	385310642	KIT, VHT AIR PUMP-COMP (INC 13,14,15,16)
9	385310629	KIT, FULL INDICATOR-VHT (INC 11)	18	385310675	KIT, 3/4 LEVEL INDICATOR-VHT (INC 11)



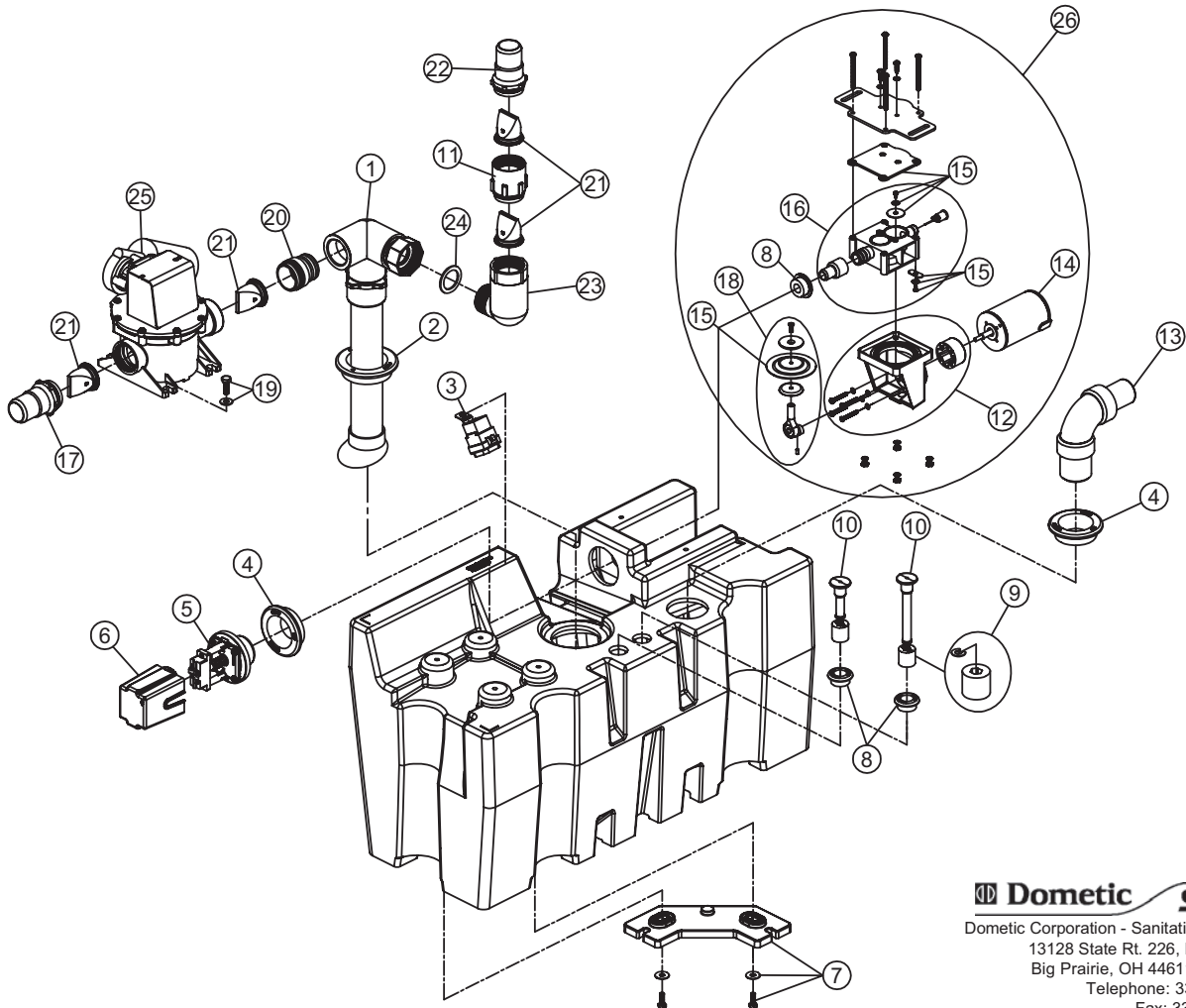
## PARTS LIST: 317704501 VT4501-STRAIGHT DIS'G 317704502 VT4502-ELBOW DIS'G

ITEM	PART NO.	DESCRIPTION	ITEM	PART NO.	DESCRIPTION
1	385311435	KIT, VT4500 DIPTUBE W/ELBOW	13	385310635	KIT, INLET ELBOW-UNISEAL (INCLUDES ITEM 4)
2	385311110	2" SEALING GROMMET	14	385311439	KIT, VT4500 MOTOR REPL
3	385310842	KIT, RELAY/BACKET-12VDC	15	385311040	VALVE REPLACEMENT KIT VT 4500 SERIES
4	385311111	1-1/2" SEALING GROMMET	16	385311440	KIT, VHT AP VALVE REPL-ELX ( INC. 15)
5	385311436	KIT, VACUUM SWITCH (INCLUDES ITEM 4)	17	385311441	KIT, VT4500 DIPTUBE STRAIGHT (INCLUDES ITEM 2)
6	385311420	KIT, SNAP-ON VAC SW'CH CVR-BLK	18	385311442	KIT, VT4500 ECCENTRIC KIT
7	385311437	KIT, MOUNTING VT4500 SERIES (1 MTG. FOOT INC.)	19	385311315	KIT, NIPPLE-RH THREADS
8	385311164	1/2" SEALING GROMMET	20	385310076	KIT, DUCKBILL VALVE
9	385311103	KIT, SWITCH FLOAT & LOCK RING	21	385311450	KIT, AIRPUMP & MOT COMPT (INC. ITEMS 8,12 & 14-16,18)
10	385311253	KIT, ADJ IND'V LEVEL IND'C-12" (INCLUDES ITEM 8)	N/S	385311443	KIT, 3/4-FULL PNL & HARNESS
11	385311316	KIT, VALVE ADAPTER-RH THREADS			
12	385311438	KIT, VT4500 MOTOR ASSY (INCLUDES ITEM 14,18)			

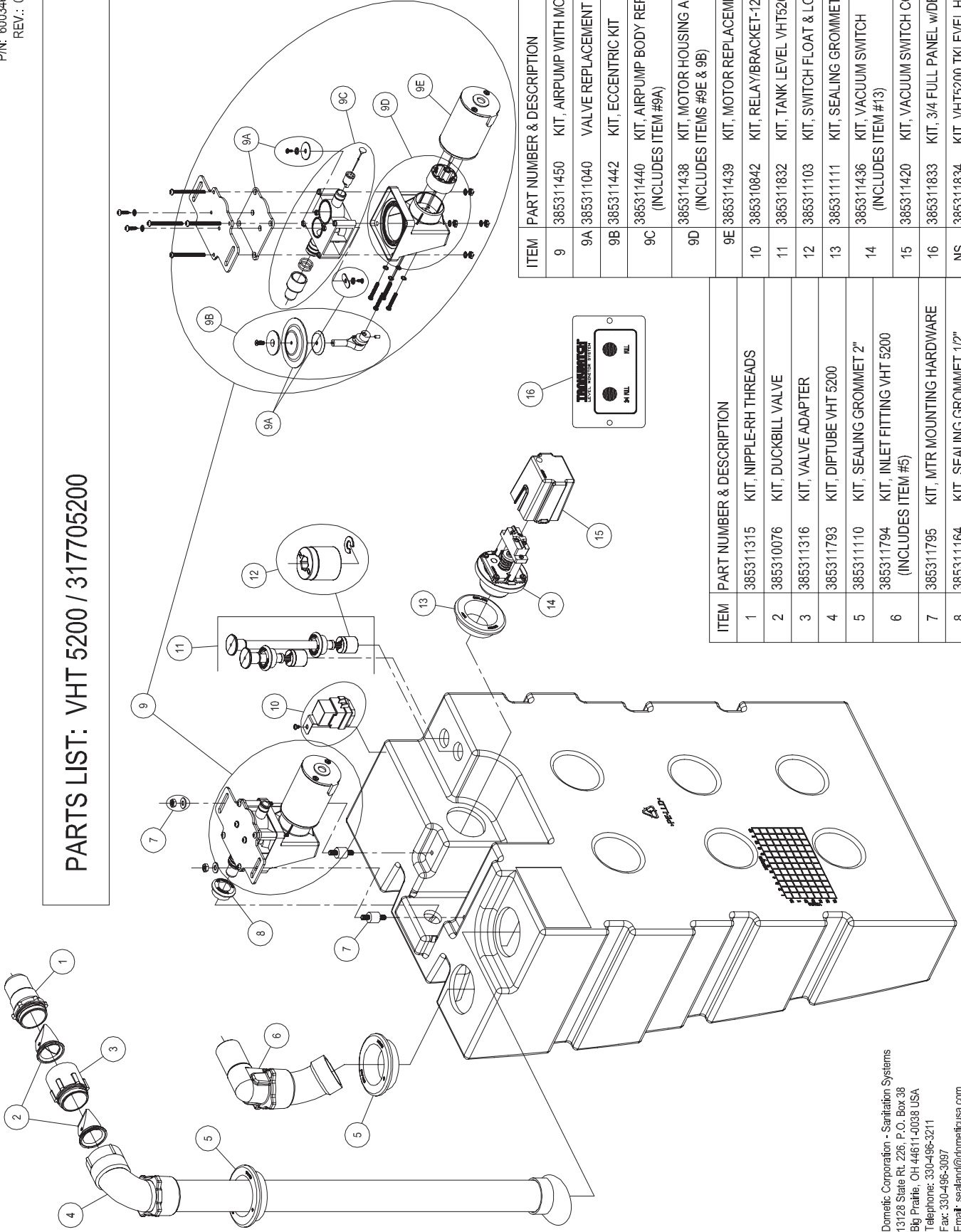


## PARTS LIST: 317704511 VT4511-T12/SWIVEL DIS'G

ITEM	PART NO.	DESCRIPTION	ITEM	PART NO.	DESCRIPTION
1	385311444	KIT, VT4500 DIPTUBE 3W/SWIVEL (INC. ITEM 2)	17	600340669	NIPPLE, VALVE-T PUMP
2	385311110	2" SEALING GROMMET	18	385311442	KIT, DIAPHRAM AND ECCENTRIC 4500 SERIES
3	385310842	KIT, RELAY/BACKET-12VDC	19	385311163	KIT, MTG HARDWARE PUMP TO TANK
4	385311111	1-1/2" SEALING GROMMET	20	385311445	KIT, FITTING, PUMP ADPT-LH 1-1/2"
5	385311436	SB VACUUM SWITCH (INC. ITEM 4)	21	385310076	KIT, DUCKBILL VALVE
6	385311420	KIT, SNAP-ON VAC SWITCH COVER	22	385311315	KIT, NIPPLE-RH THREADS
7	385311437	KIT, MOUNTING VT4500 SERIES	23	385311455	KIT, VT4511 DISCHARGE ELBOW (INC. ITEM 24)
8	385311164	1/2" SEALING GROMMET	24	385311233	KIT, SLIP SEAL 1-1/2" REPL
9	385311103	KIT, SWITCH FLOAT & LOCK RING	25	N/A	SEE PUMP EXPLODED PARTS LIST
10	385311253	FULL LEVEL INDICATOR KIT 1ea. (INCLUDES ITEM 8)	26	385311450	4500 AIR PUMP COMP (INC. ITEMS 8,12 & 14-16,18)
11	385311316	KIT, VALVE ADAPTER-RH THREADS	N/S	385311443	KIT, 3/4-FULL PNL & HARNESS
12	385311438	KIT, MOTOR ASSEMBLY ( INC. ITEMS 14,18)			
13	385310635	KIT, INLET ELBOW-UNISEAL (INC. ITEM 4)			
14	385311439	KIT, VT4500 MOTOR REPL			
15	385311040	VALVE REPLACEMENT KIT VT 4500 SERIES			
16	385311440	KIT, VHT AP VALVE REPL-ELX (INC. 15)			



# PARTS LIST: VHT 5200 / 317705200

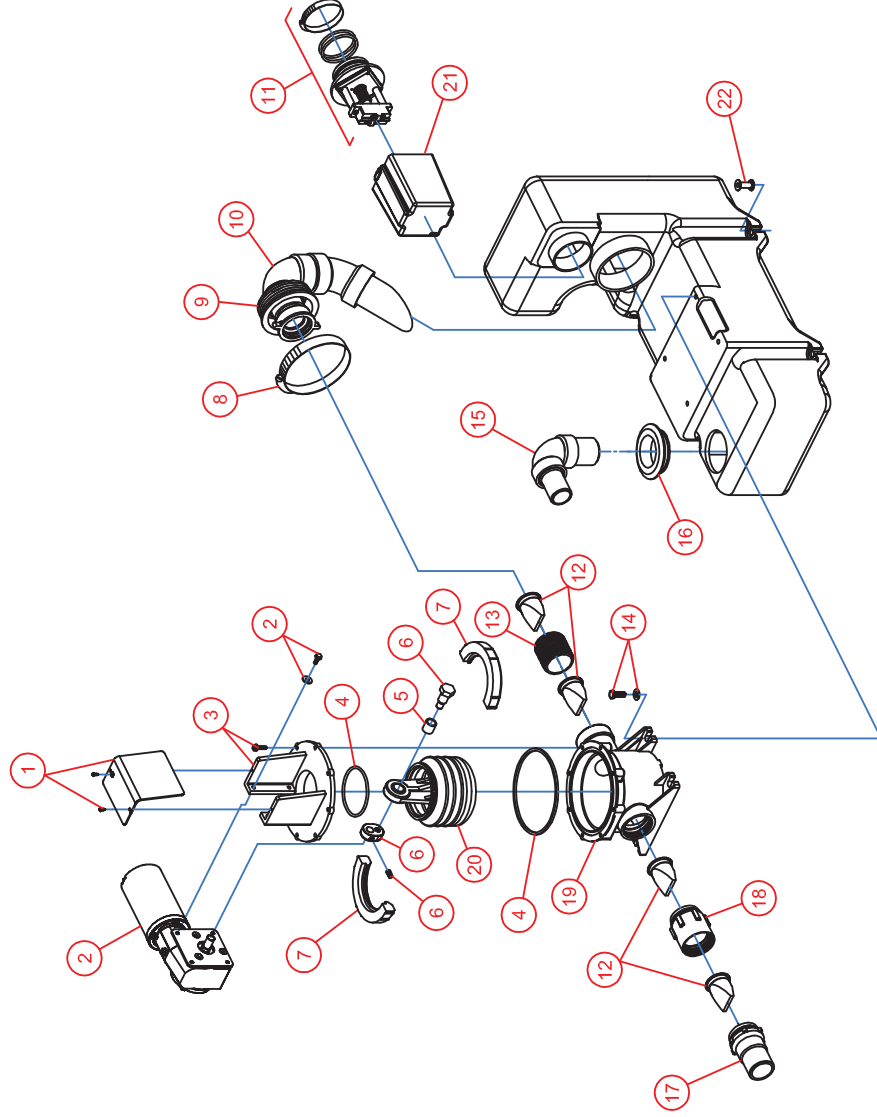


ITEM	PART NUMBER & DESCRIPTION
9	385311450 KIT, AIRPUMP WITH MOTOR
9A	385311040 VALVE REPLACEMENT KIT
9B	385311442 KIT, ECCENTRIC KIT
9C	385311440 KIT, AIRPUMP BODY REPLACEMENT (INCLUDES ITEM #9A)
9D	385311438 KIT, MOTOR HOUSING ASSEMBLY (INCLUDES ITEMS #9E & 9B)
9E	385311439 KIT, MOTOR REPLACEMENT
10	385310842 KIT, RELAY/BRACKET-12VDC
11	385311832 KIT, TANK LEVEL VHT5200 w/DEUTSCH
12	385311103 KIT, SWITCH FLOAT & LOCK RING
13	385311111 KIT, SEALING GROMMET 1-1/2"
14	385311436 KIT, VACUUM SWITCH (INCLUDES ITEM #13)
15	385311420 KIT, VACUUM SWITCH COVER-BLK
16	385311833 KIT, 3/4 FULL PANEL w/DEUTSCH
NS	385311834 KIT, VHT5200 TKLEVEL HARN w/DT

ITEM	PART NUMBER & DESCRIPTION
1	385311315 KIT, NIPPLE-RH THREADS
2	385310076 KIT, DUCKBILL VALVE
3	385311316 KIT, VALVE ADAPTER
4	385311793 KIT, DIPTUBE VHT 5200
5	385311110 KIT, SEALING GROMMET 2"
6	385311794 KIT, INLET FITTING VHT 5200 (INCLUDES ITEM #5)
7	385311795 KIT, MTR MOUNTING HARDWARE
8	385311164 KIT, SEALING GROMMET 1/2"

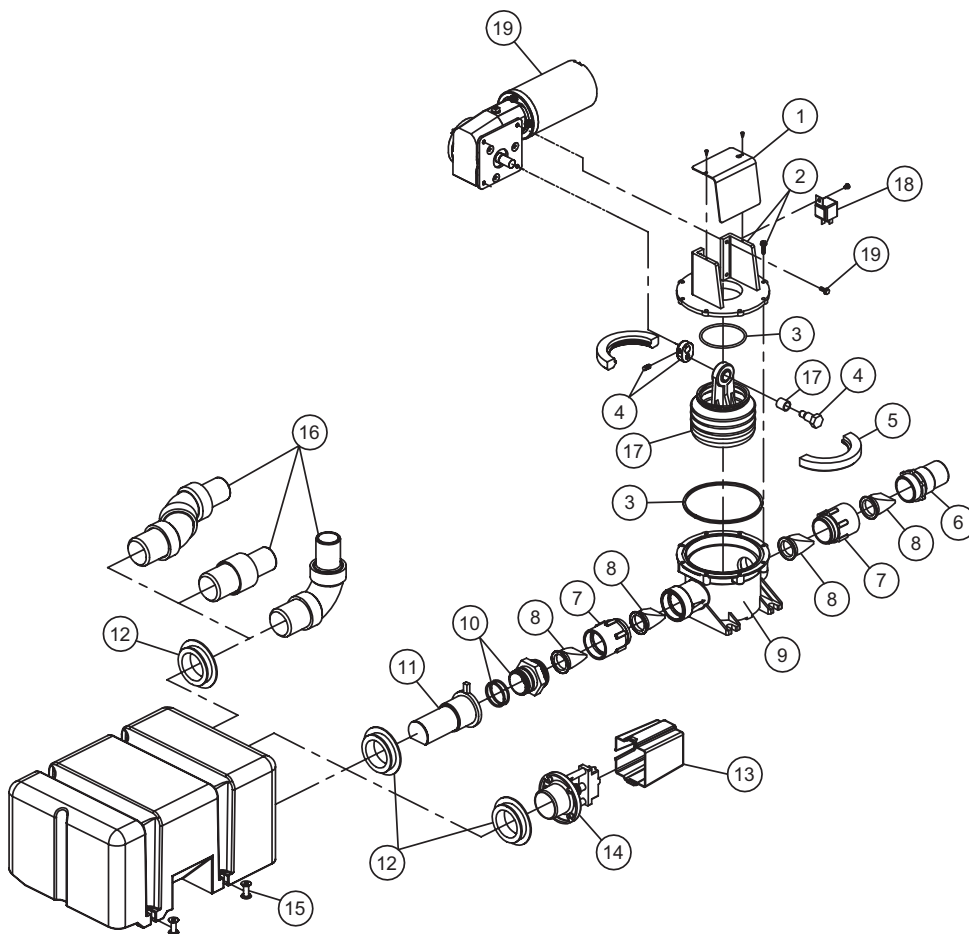
## PARTS LIST: VACUUM GENERATOR II 12 & 24vdc SERIES

ITEM	PART NUMBER & DESCRIPTION
1	385311323 - MOTOR COVER KIT **Includes Mounting Screws
2	385311065 - 12vdc REPLACEMENT MOTOR 385311066 - 12vdc REPLACEMENT MOTOR **Includes Item 6.
3	385311324 - PUMP TOP CLOSURE KIT **Includes Mounting Screws
4	385310151 - PUMP REPLACEMENT O'RING KIT
5	385310242 - PUMP ECCENTRIC BUSHING KIT
6	385310644 - PUMP ECCENTRIC KIT **Includes Item 5.
7	385311226 - Pump Bellows Clamp Kit
8	385311846 - HOSE CLAMP - 3-3/4" DIA.
9	385311837 - O'RING, 3.000" X 3.250" X .125 **Bulk Kit; 10 per package.
10	385310539 - VGII DISCHARGE FITTING **Includes Item 9.
11	385310540 - VGII VACUUM SWITCH KIT **Includes O'rings & 2" Mounting Clamp.
12	385310076 - 1-1/2" CHECK VALVE KIT **2pcs per Package.
13	385311272 - 1-1/2" CLOSE NIPPLE FITTING
14	385311163 - PUMP MOUNTING HARDWARE
15	385310635 - 1-1/2" INLET ELBOW FITTING **Includes Item 16.
16	385311111 - 1-1/2" SEALING GROMMET
17	385311315 - 1-1/2" PUMP OUTLET FITTING
18	385311316 - 1-1/2" CHECK VALVE ADAPTER FITTING
19	385311844 - PUMP BODY REPLACEMENT
20	385230980 - BELLOWS ASSEMBLY REPLACEMENT KIT **Includes Item 5 & 6..
21	385311215 - VACUUM SWITCH COVER (WHITE)
22	385311318 - TANK MOUNTING SPINDLE KIT **4pcs per Package.
Not Shown	385310774 - COMPLETE VGII PUMP KIT - 12VDC 385310775 - COMPLETE VGII PUMP KIT - 24VDC



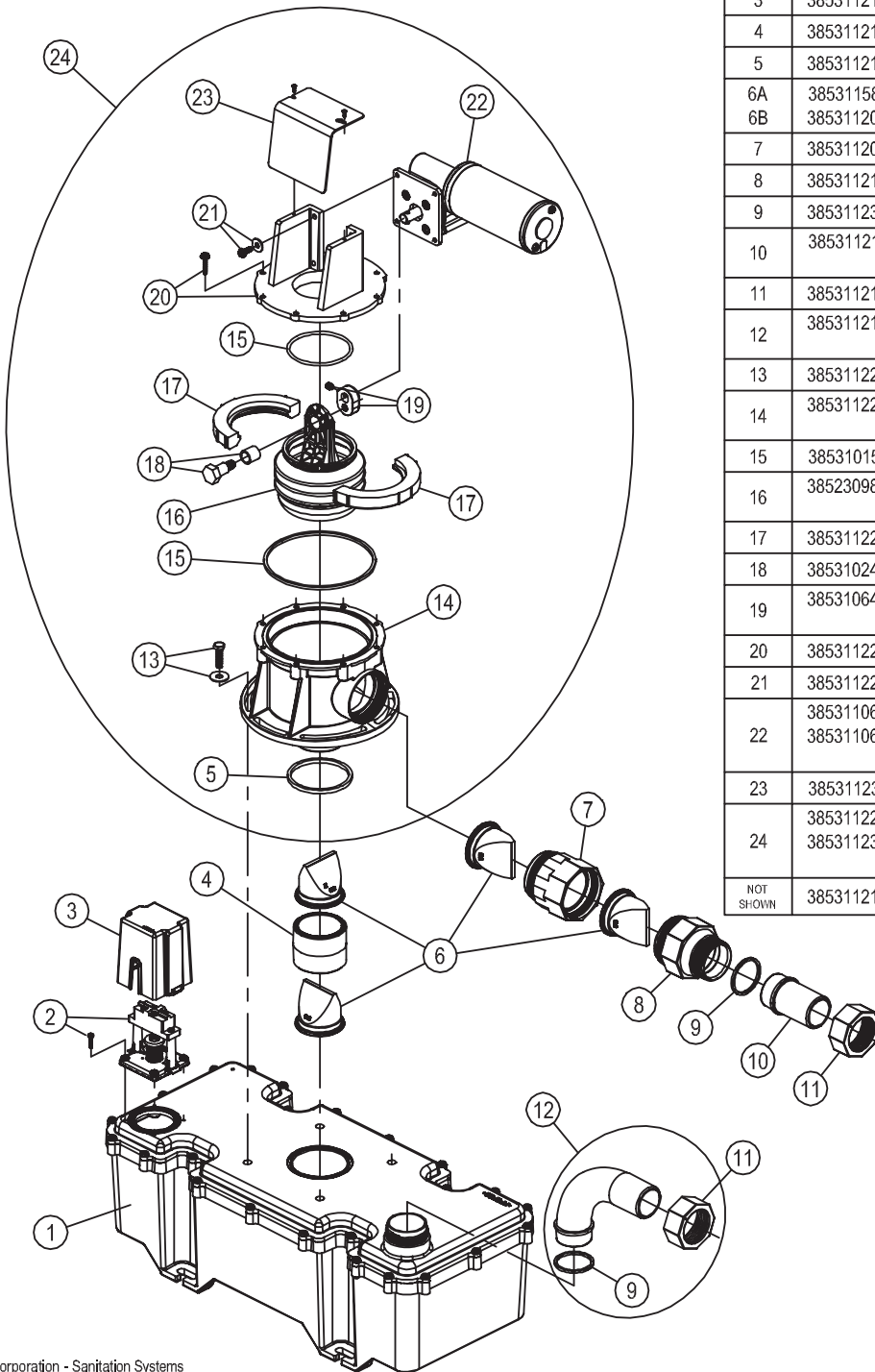
## PARTS LIST: VACUUM GENERATOR LOW PROFILE 12VDC & 24VDC

ITEM	PART NO.	DESCRIPTION	ITEM	PART NO.	DESCRIPTION
1	385311323	COVER, PUMP	13	385311215	VACUUM SWITCH COVER LOW PROFILE VG
2	385311324	KIT, SPUMP TOP CLOSE W/SCREWS	14	385311436	KIT, VACUUM SWITCH (inc. item 12)
3	385310151	O'RING REPLACEMENT KIT	15	385311318	KIT, TANK MTG SPINDLE
4	385310644	KIT, ECCENTRIC/SCREW-S/T PUMP	16	385310635	INLET ELBOW ASSEMBLY
5	385311226	CLAMP, BELLOWS S/T PUMP		385310690	STRAIGHT INLET ( optional )
6	385311315	KIT, NIPPLE-RH THREADS		385310787	45° INLET ELBOW (optional )
7	385311316	KIT, VALVE ADAPTER-RH THREADS	17	385230980	BELLOWS KIT (includes item 7)
8	385310076	KIT VALVE, CHECK DUCKBILL-S/T PUMP (2 EA)	18	600343053	RELAY, SPDT 12VDC 40% AMP VF4 (optional)
9	600341504	BODY,S-PUMP		600344239	RELAY, SPDT 24VDC 40% AMP VF4 (optional)
10	385311317	KIT, PUMP ADAPT TO DIPTUBE FIT	19	385311065	12VDC W MOTOR
11	385310754	KIT, DIP TUBE LOW PROFILE VG (INC. ITEM 12)		385311066	24VDC W MOTOR
12	385311111	1½" SEALING GROMMET	20	385310249	KIT, S PUMP W/O MOTOR
			N/S	385311100	KIT, LPVG SW-PUMP ASSY 24VDC
			N/S	385311595	KIT, LPVG-W-PUMP ASSY 12VDC





## PARTS LIST: VACUUM GENERATOR 4

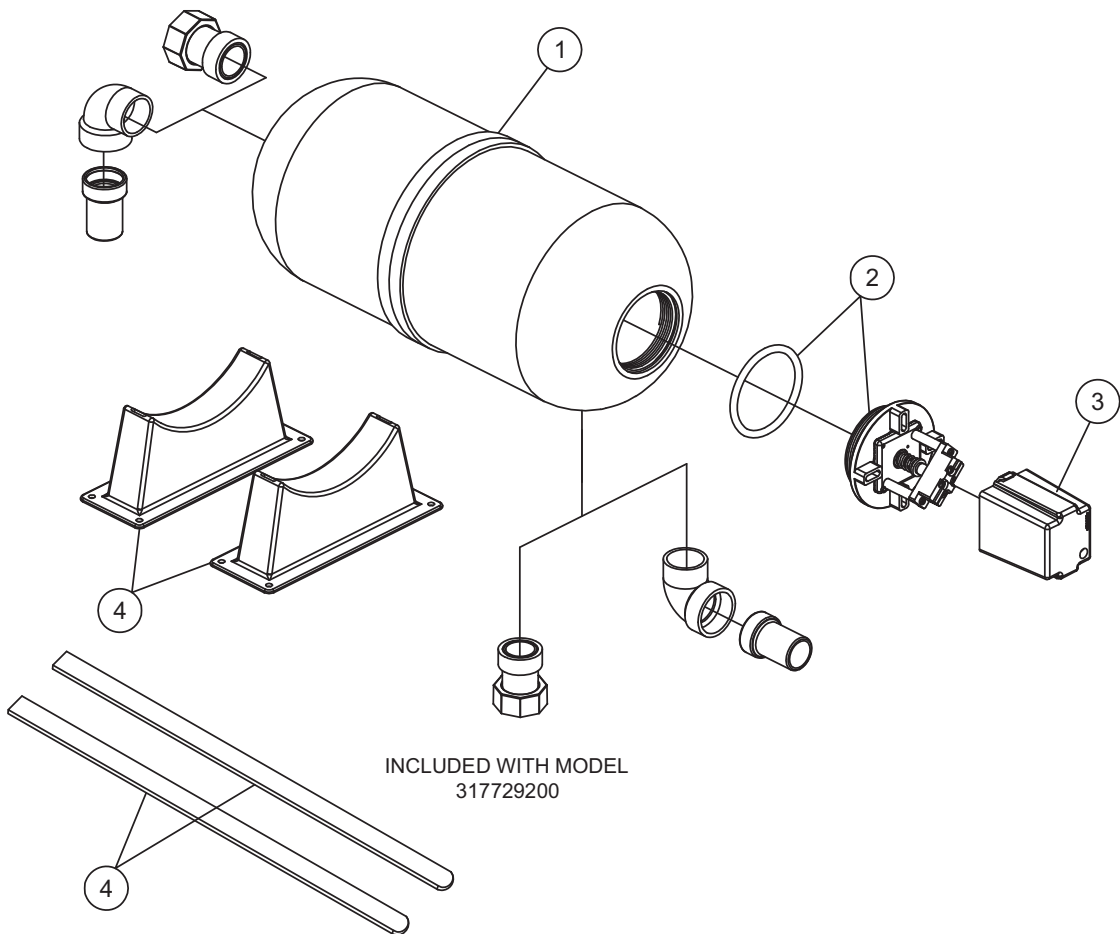


ITEM	PART NUMBER & DESCRIPTION
1	385311217 VG4 TANK ASSEMBLY KIT
2	385311216 VACUUM SWITCH ASSEMBLY **INCLUDES ITEM 3.
3	385311215 VACUUM SWITCH COVER
4	385311214 VG4 DISCHARGE VALVE SPACER
5	385311213 PUMP TO TANK SEAL
6A	385311581 2" CHECK VALVE REPLACEMENT (4 PER KIT)
6B	385311208 2" CHECK VALVE REPLACEMENT (2 PER KIT)
7	385311209 2" CHECK VALVE ADAPTER
8	385311210 TRANSITION FITTING 2" TO 1-1/2"
9	385311238 FITTING SEAL
10	385311211 1-1/2" VG4 STRAIGHT HOSE FITTING **INCLUDES ITEMS 9 & 11.
11	385311212 1-1/2" SWIVEL NUT
12	385311218 1-1/2" VG4 90° ELBOW HOSE FITTING **INCLUDES ITEMS 9 & 11.
13	385311220 PUMP MOUNTING HARDWARE
14	385311227 PUMP BODY REPLACEMENT KIT **INCLUDES ITEM 5.
15	385310151 PUMP O'RING REPLACEMENT KIT
16	385230980 PUMP BELLOWS ASSEMBLY KIT **INCLUDES ITEM 18
17	385311226 PUMP BELLOWS CLAMP KIT
18	385310242 PUMP BELLOWS BUSHING/BOLT KIT
19	385310644 PUMP ECCENTRIC KIT **INCLUDES ITEMS 18.
20	385311225 PUMP TOP CLOSURE REPLACEMENT
21	385311224 PUMP MOTOR MOUNTING HARDWARE
22	385311065 W-SERIES MOTOR REPLACEMENT-12V 385311066 W-SERIES MOTOR REPLACEMENT-24V **INCLUDES ITEMS 18 & 19.
23	385311231 PUMP COVER REPLACEMENT KIT
24	385311229 J-SERIES PUMP REPLACEMENT - 12V 385311230 J-SERIES PUMP REPLACEMENT - 24V **INCLUDES ITEM 5-8 & 13-23.
NOT SHOWN	385311219 TANK SEAL

## PARTS LIST: MODEL 317729100 & 317729200

ITEM	PART NO.	DESCRIPTION
1	385310017	KIT, VACUUM TANK-REPLACEMENT
2	385318032	KIT, VACUUM TANK SWITCH
3	385311215	KIT, SNAP-ON VAC SW'CH CVR-WHT
4	385311659	KIT, VAC TK MTG BRKT (1 EACH)

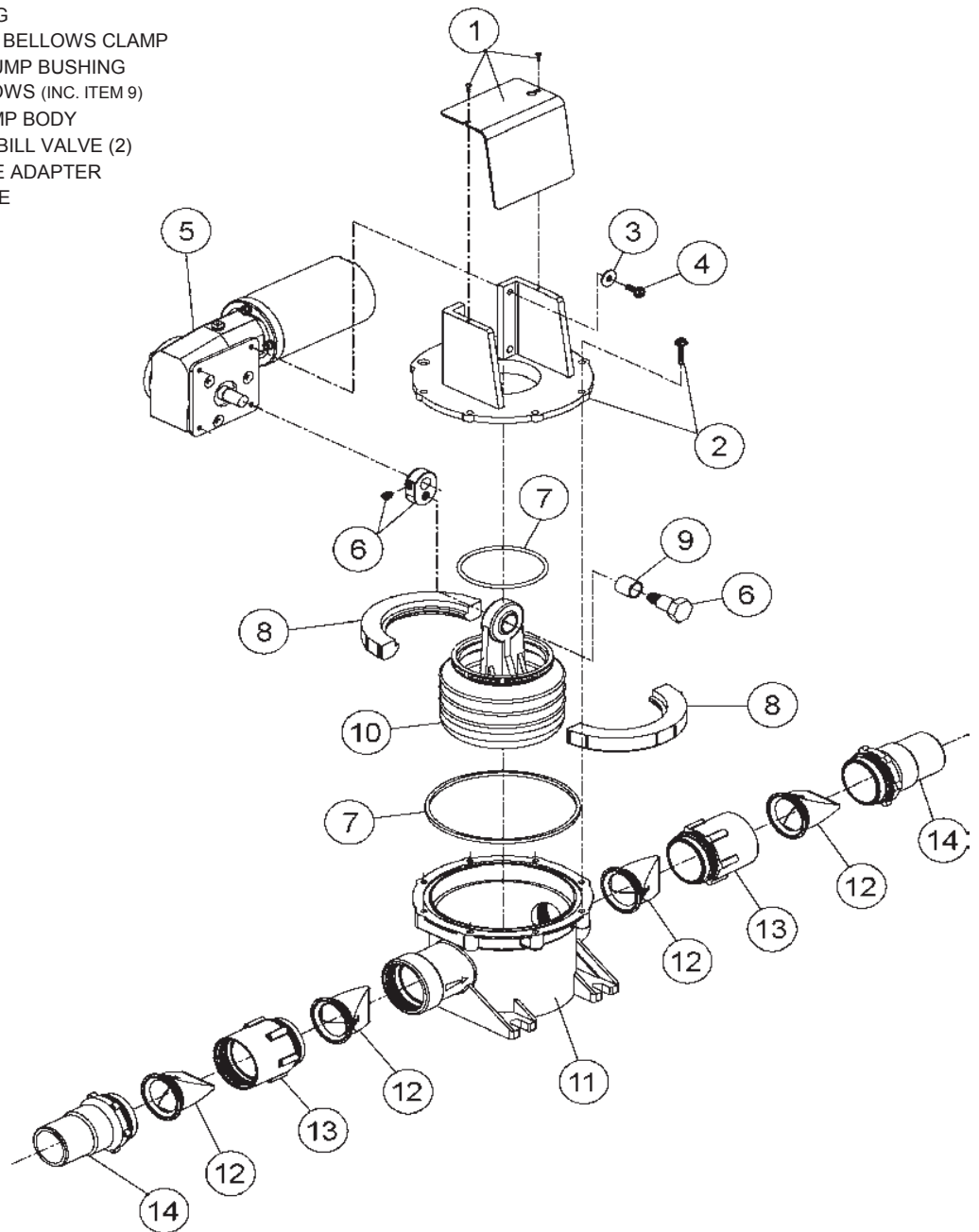
INCLUDED WITH MODEL  
317729200



INCLUDED WITH MODEL  
317729200

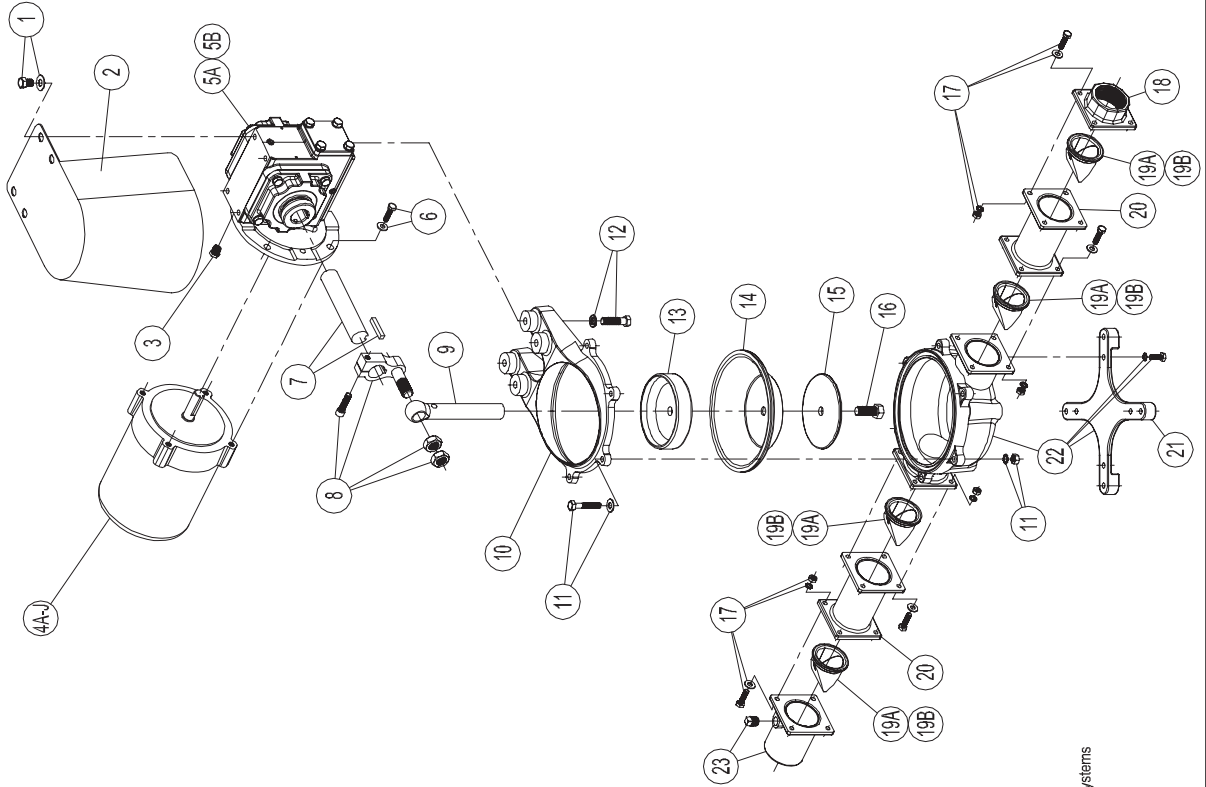
# PARTS LIST: Vacuum System Pump, Models SW12 & SW24

ITEM	PART	DESCRIPTION
1	385311323	KIT, PUMP COVER
2	385311324	KIT, PUMP TOP-CLOSE W/SCREWS
3	385311224	KIT, S-SERIES MOTOR MOUNTING HARDWARE (includes item 4)
4	385311224	KIT, S-SERIES MOTOR MOUNTING HARDWARE (includes item 3)
5	385311065	KIT, SW MOTOR 12V
	385311423	KIT, SS/SQ TO SW MOTOR 12V (INC. ITEMS 4,6,8,9&10)
	385311066	KIT, SW MOTOR 24V
	385311424	KIT, SS/SQ TO SW MOTOR 24V (INC. ITEMS 4,6,8,9&10)
6	385310644	KIT, ECCENTRIC/SCREW
7	385310151	KIT, O'RING
8	385311226	KIT, PUMP BELLOWS CLAMP
9	385310242	KIT, S/T PUMP BUSHING
10	385230980	KIT, BELLOWS (INC. ITEM 9)
11	385311844	KIT, S-PUMP BODY
12	385310076	KIT, DUCKBILL VALVE (2)
13	385311316	KIT, VALVE ADAPTER
14	385311315	KIT, NIPPLE



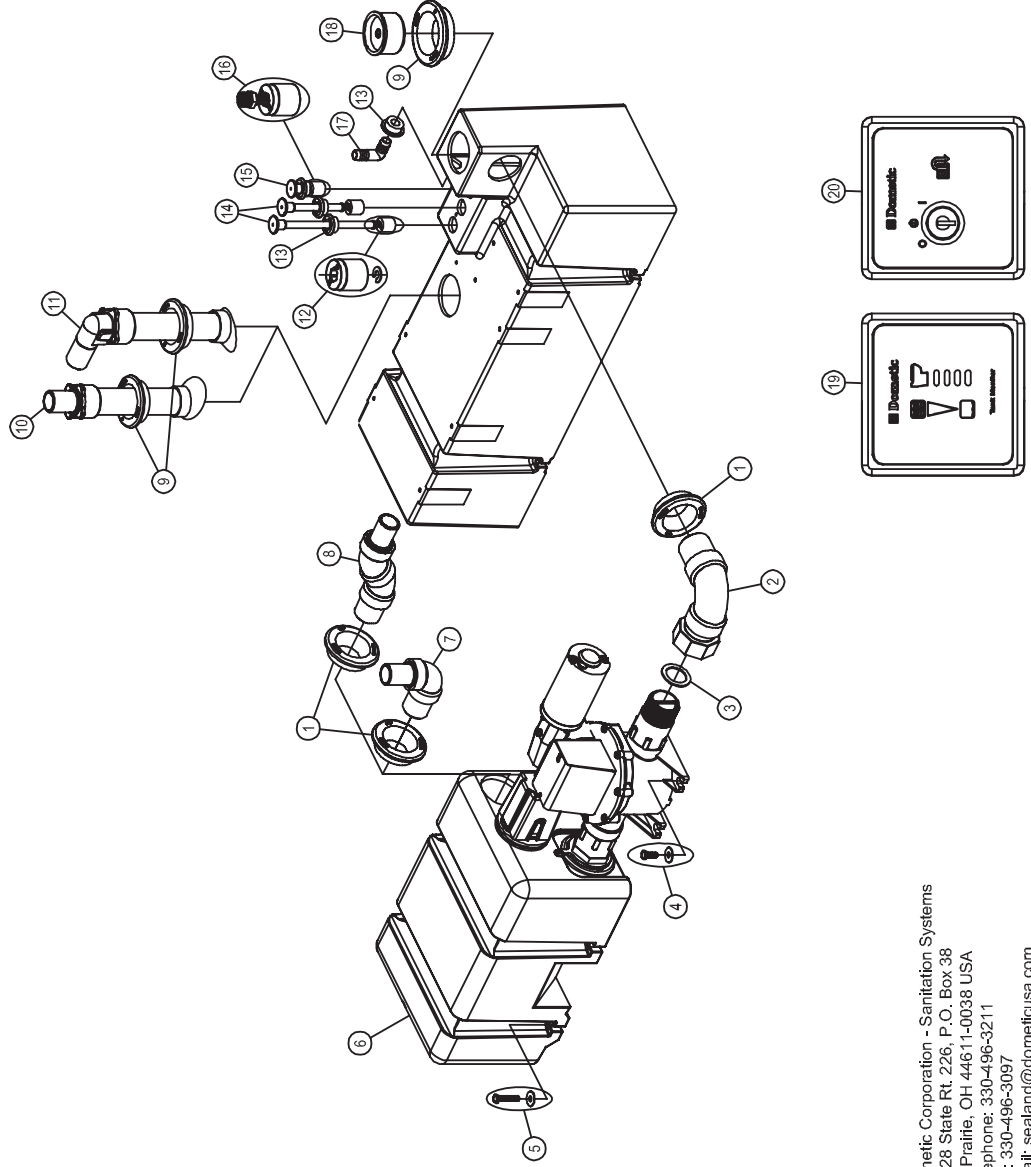
# PARTS LIST: M-PUMP MODELS

ITEM	PART NUMBER & DESCRIPTION
1	385311799 COVER MOUNTING HARDWARE
2	385311800 COVER **INCLUDES ITEM 1.
3	385311801 VENT
4A	385311802 MOTOR, 1/2 HP 115 VOLT 60HZ TEFC
4B	385311803 MOTOR, 1/2 HP 115 VOLT 50HZ TEFC
4C	385311804 MOTOR, 1/2 HP 115 VOLT 60HZ EX-PROOF
4D	385311805 MOTOR, 1/2 HP 115 VOLT 50HZ EX-PROOF
4E	385311806 MOTOR, 1/2 HP 12VDC
4F	385311807 MOTOR, 1/2 HP 24VDC
4G	385311808 MOTOR, 3/4 HP 115 VOLT 60HZ TEFC
4H	385311809 MOTOR, 3/4 HP 115 VOLT 50HZ TEFC
4I	385311810 MOTOR, 3/4 HP 115 VOLT 60HZ EX-PROOF
4J	385311811 MOTOR, 3/4 HP 115 VOLT 50HZ EX-PROOF
5A	385311812 GEAR REDUCER 20:1
5B	385311813 GEAR REDUCER 30:1
6	385311814 MOTOR MOUNTING HARDWARE
7	385311815 OUTPUT SHAFT & KEY
8	385311816 ECCENTRIC
9	385311817 CONNECTING ROD
10	385311818 TOP-CLOSURE
11	385311819 TOP-CLOSURE MOUNTING HARDWARE
12	385311820 GEAR REDUCER MOUNTING HARDWARE
13	385311821 UPPER DIAPHRAGM PLATE
14	385311822 DIAPHRAGM
15	385311823 LOWER DIAPHRAGM PLATE
16	385311824 CONNECTOR ROD SCREW
17	385311825 VALVE HOUSING MOUNTING HARDWARE
18	385311826 INLET FLANGE 1-1/2" FEMALE NPT
19A	385311581 CHECK VALVE - BLACK (4)
19B	385311582 CHECK VALVE - RED (4)
20	385311827 VALVE HOUSING
21	385311828 MOUNTING PLATE & HARDWARE
22	385311829 PUMP BODY & MOUNTING PLATE **INCLUDES ITEM HARDWARE.
23	385311830 OUTLET FLANGE 1-1/2" FEMALE NPT & PLUG



**PARTS LIST: 10+ HOLDING TANK SYSTEM / 322711012; 319009001; 320101003; 322101012; 322101024**

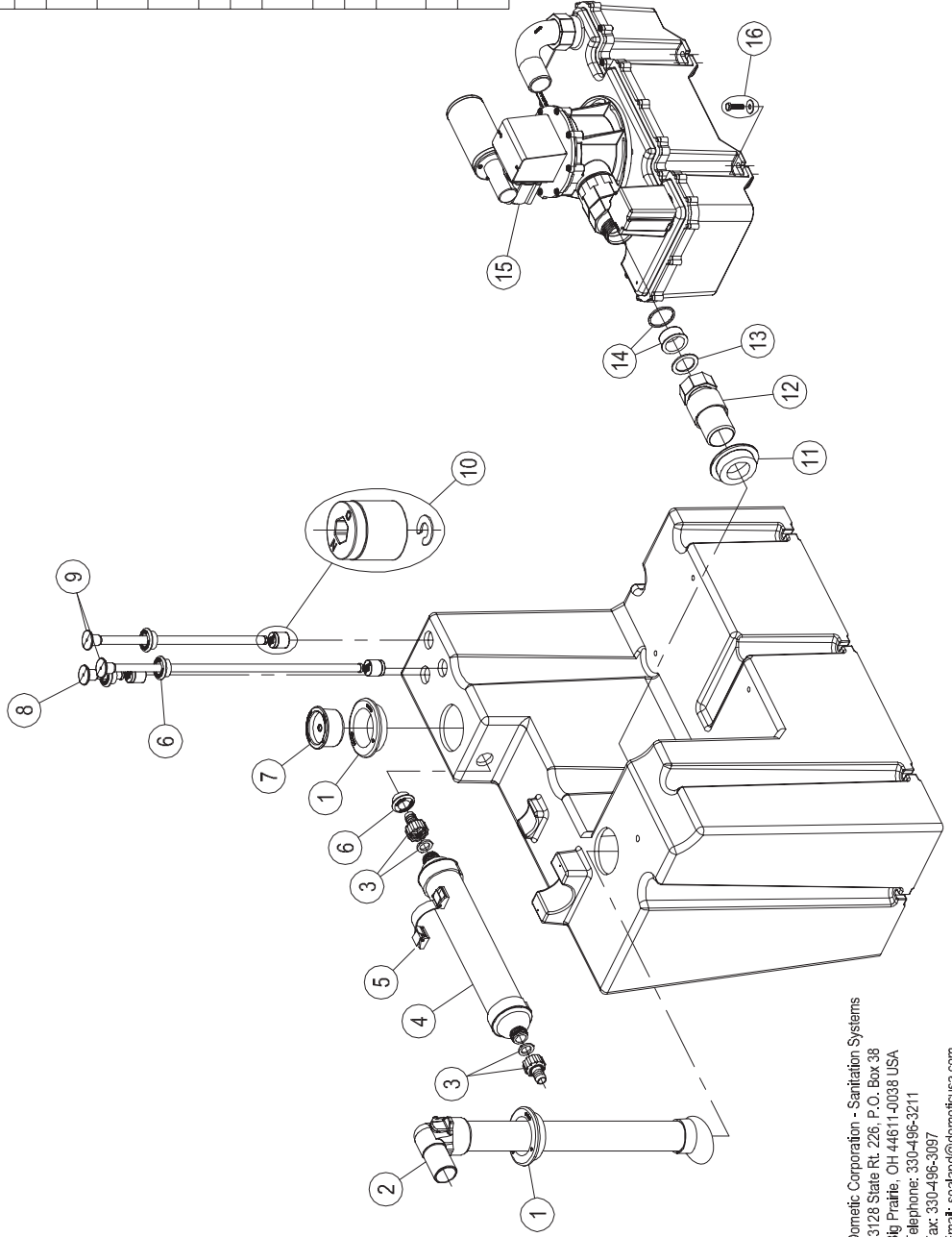
ITEM	PART NUMBER & DESCRIPTION
1	385311111 1-1/2" SEALING GROMMET
2	385310772 VG HOLDING TANK INLET FITTING **INCLUDES ITEM 1 & 3.
3	385311233 1-1/2" SLIP SEAL REPLACEMENT
4	385311163 PUMP MOUNTING HARDWARE
5	385311162 VG MOUNTING HARDWARE
6	N/A LOW-PROFILE VACUUM GENERATOR **SEE LPVG PARTS LIST.
7	385310708 INLET ELBOW FITTING **INCLUDES ITEM 1.
8	385310787 OFFSET INLET FITTING **INCLUDES ITEM 1.
9	385311110 2" SEALING GROMMET
10	385311584 STRAIGHT DIPTUBE ASSEMBLY **INCLUDES ITEM 9.
11	385311573 90° ELBOW DIPTUBE ASSEMBLY **INCLUDES ITEM 9.
12	385311103 TANK LEVEL FLOAT & LOCK RING
13	385311164 1/2" SEALING GROMMET
14	385311253 TANK LEVEL ADJUSTABLE - 12" **INCLUDES ITEM 13.
15	313900101 FULL TANK LEVEL **INCLUDES ITEM 13.
16	385230268 THREADED STEM/FLOAT REPLACEMENT
17	385311770 VENT ELBOW FITTING **INCLUDES ITEM 13.
18	313255247 TANKSAVER **INCLUDES ITEM 9.
19	385017001 DTM04 PNL w/RELAY & HARNESS **USED WITH MODEL 320101003 & 319009001. 313604402 DTM04 PNL w/RELAY - 12V (BLACK) **USED WITH MODEL 322101012.
20	313814101 DTD01 PNL MANUAL 12V - BLK



Dometic Corporation - Sanitation Systems  
13128 State Rt. 226, P.O. Box 38  
Big Prairie, OH 44611-0038 USA  
Telephone: 330-496-3211  
Fax: 330-496-3097  
E-mail: sealand@dometicusa.com

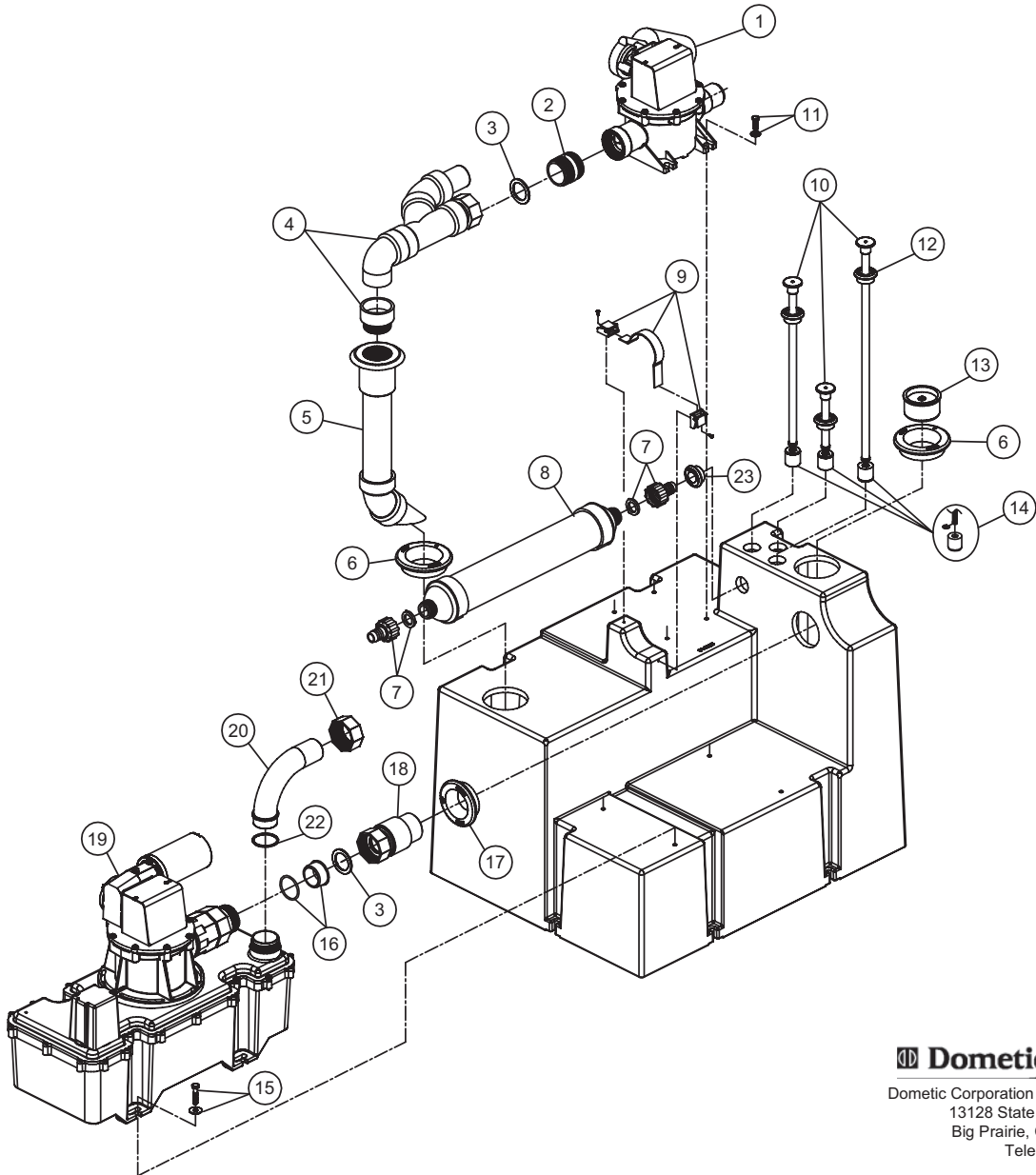
# PARTS LIST: 18 GALLON HOLDING TANK SYSTEM / 322711812; 322011824

ITEM	PART NUMBER & DESCRIPTION
1	385311110 1-1/2" SEALING GROMMET
2	385311573 90° ELBOW DIPTUBE ASSEMBLY **INCLUDES ITEM 1.
3	385310135 VENT FILTER FITTINGS
4	309310001 VENT FILTER REPLACEMENT
5	385310673 VENT FILTER MOUNTING KIT
6	385311164 1/2" SEALING GROMMET
7	313255247 TANKSAVER **INCLUDES ITEM 1.
8	385311253 TANK LEVEL ADJUSTABLE 12" **INCLUDES ITEM 6.
9	385311254 TANK LEVEL ADJUSTABLE 24" **INCLUDES ITEM 6.
10	385311103 TANK LEVEL FLOAT & LOCK RING
11	385311111 1-1/2" SEALING GROMMET
12	385311236 VG4 HOLDING TANK INLET FITTING **INCLUDES ITEM 11 & 13.
13	385311233 1-1/2" SLIP SEAL REPLACEMENT
14	385311237 SLIP SEAL ADAPTER FITTING
15	N/A VACUUM GENERATOR 4 **SEE VG4 PARTS LIST.
16	385311275 VG4 MOUNTING HARDWARE
17	313604402 DTM04 w/SHUTDOWN RELAY - 12VDC 313604403 DTM04 w/SHUTDOWN RELAY - 24VDC



# PARTS LIST: 21 Gallon HTS 322702112 322702124

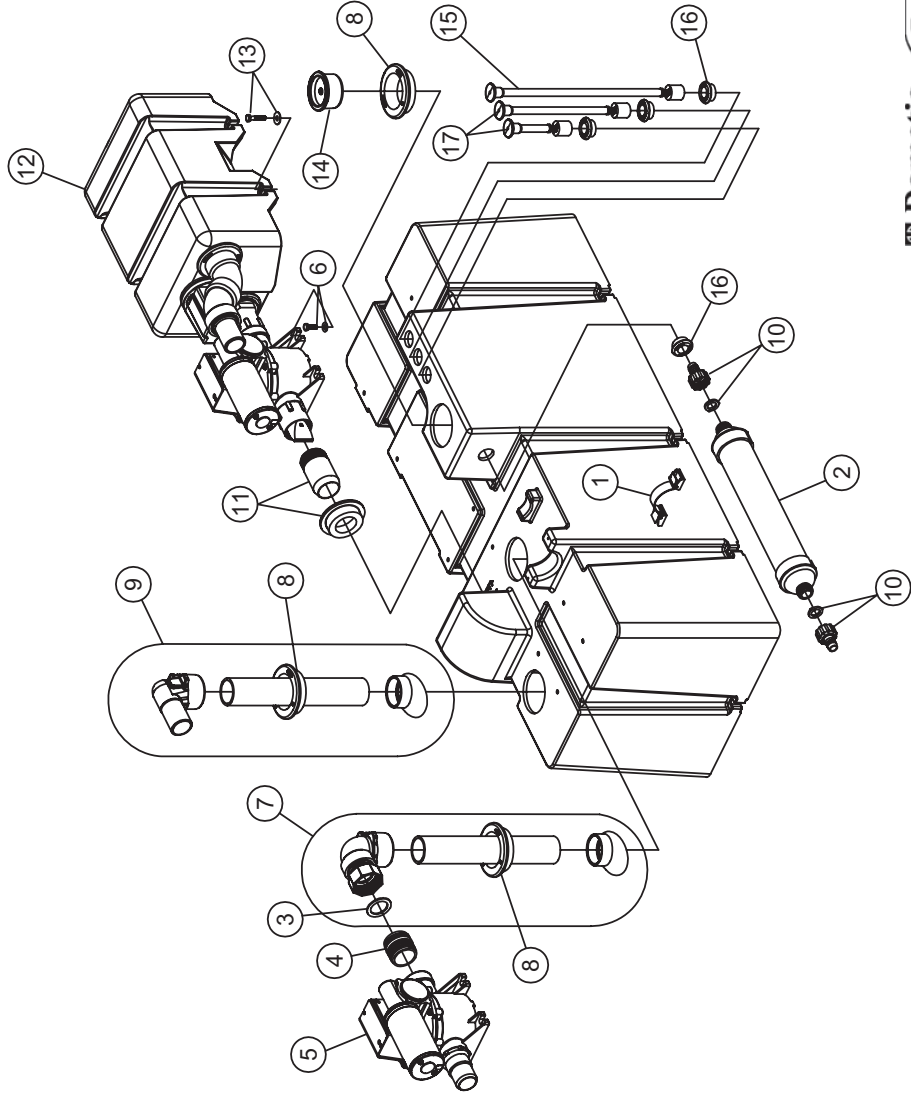
ITEM	PART NO.	DESCRIPTION	ITEM	PART NO.	DESCRIPTION
1	317301200	PUMP TW12	12	385311164	KIT, SEALING GROMMET 1/2"
	317302400	PUMP T24	13	313255247	1-1/2" TANKSAVER VALVE(inc. item 6)
2	385640370	KIT, LH/RH THREAD ADAPTER	14	385311103	KIT, SWITCH FLOAT & LOCK RING
3	385311233	KIT, SLIP SEAL 1-1/2" REPL	15	385311162	KIT, MTG HARDWARE VG TO HTS
4	385311232	KIT, DIPTUBE WYE FITTING 21HTS	16	385311237	KIT, SLIP SEAL ADAPTER-VG4
5	385310660	DIPTUBE (inc. item 6)	17	385311111	KIT, SEALING GROMMET 1-1/2"
6	385311110	KIT, SEALING GROMMET 2"	18	385311236	KIT, VG4 TO HD TANK FITTING
7	385310135	KIT, FILTER INSTALLATION	19	317780112	VG4/JQ12-STANDARD
8	309310001	HOLDING TANK REPL FILTER		317780024	VG4/JQ24-STANDARD
9	385310673	KIT, FILTER MOUNTING-HTS	20	385311218	KIT, EL HOSE FIT W/NUT-VG4(INC. 21 & 22)
10	385311235	KIT, LEVEL IND - 21HTS (includes item 12)	21	385311212	KIT, 1-1/2" SWIVEL NUT
11	385311163	KIT, MTG HARDWARE PUMP TO TANK	22	385311238	KIT, O'RING REPL-VG4 FITTINGS



Dometic Corporation - Sanitation Systems  
13128 State Rt. 226, P.O. Box 38  
Big Prairie, OH 44611-0038 USA  
Telephone: 330-496-3211  
Fax: 330-496-3097  
Email: sealand@dometicusa.com

## PARTS LIST: MODEL 322712712-24 27 GAL HTS

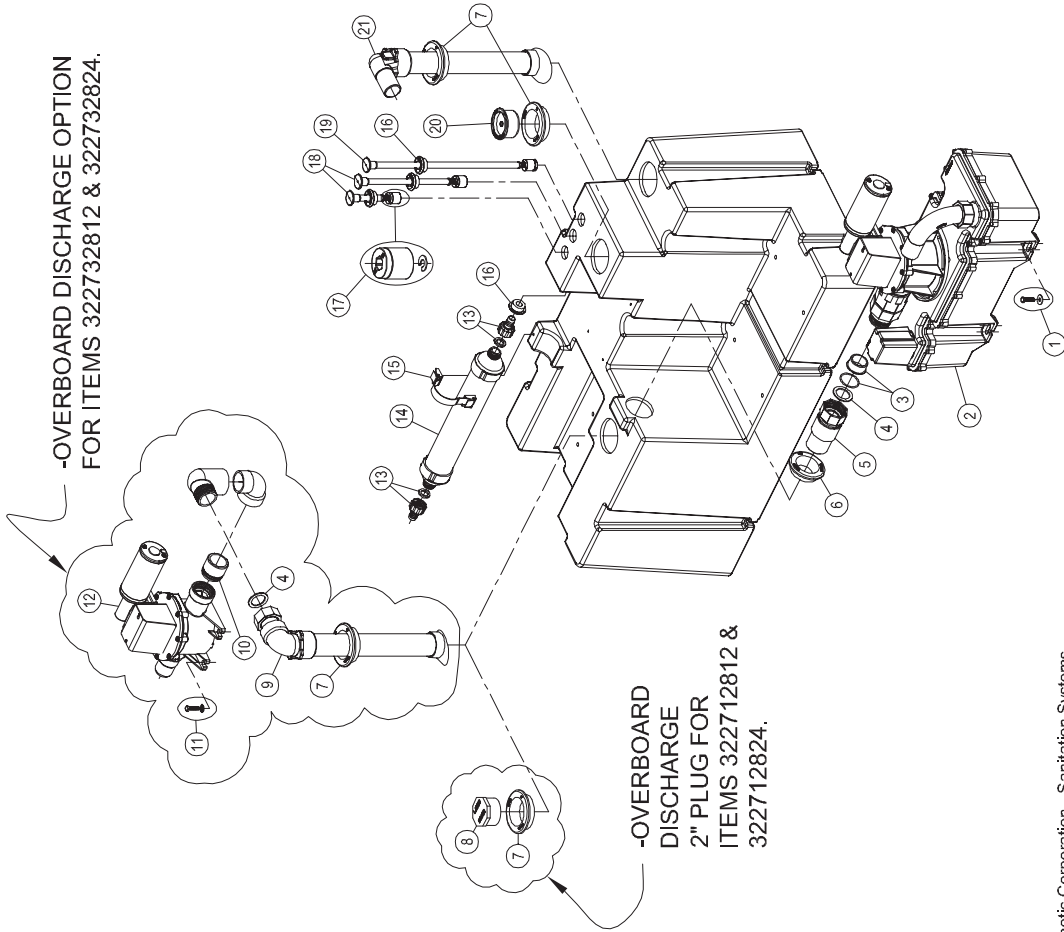
ITEM	PART NO.	DESCRIPTION
1	385310673	KIT, FILTER MOUNTING-HTS
2	309310001	HOLDING TANK REPL FILTER
3	385311233	KIT, SLIP SEAL 1-1/2" REPL
4	385640370	KIT, LH/RH THREAD ADAPTER
5	N/A	SEE PUMP PARTS LIST
6	385311163	KIT, MTG HARDWARE PUMP TO TANK
7	385311575	KIT, TPUMP DIPTUBE EL/SWIV CON (INC. 8)
8	385311110	KIT, SEALING GROMMET 2"
9	385311573	KIT, DIPTUBE 90° ELBOW GLUED (INC. 8)
10	385310135	KIT, FILTER INSTALLATION
11	385311367	KIT, VG OUTLET FITTING EXT
12	N/A	SEE LPVG PARTS LIST
13	385311162	KIT, MTG HARDWARE VG TO HTS
14	313255247	TANKSAVER 1-1/2" (INC. 8)
15	385311254	KIT, ADJ INDV LEVEL IND'C 24" (INC. 16)
16	385311164	KIT, SEALING GROMMET 1/2"
17	385311253	KIT, ADJ INDV LEVEL IND'C-12" (INC 16)





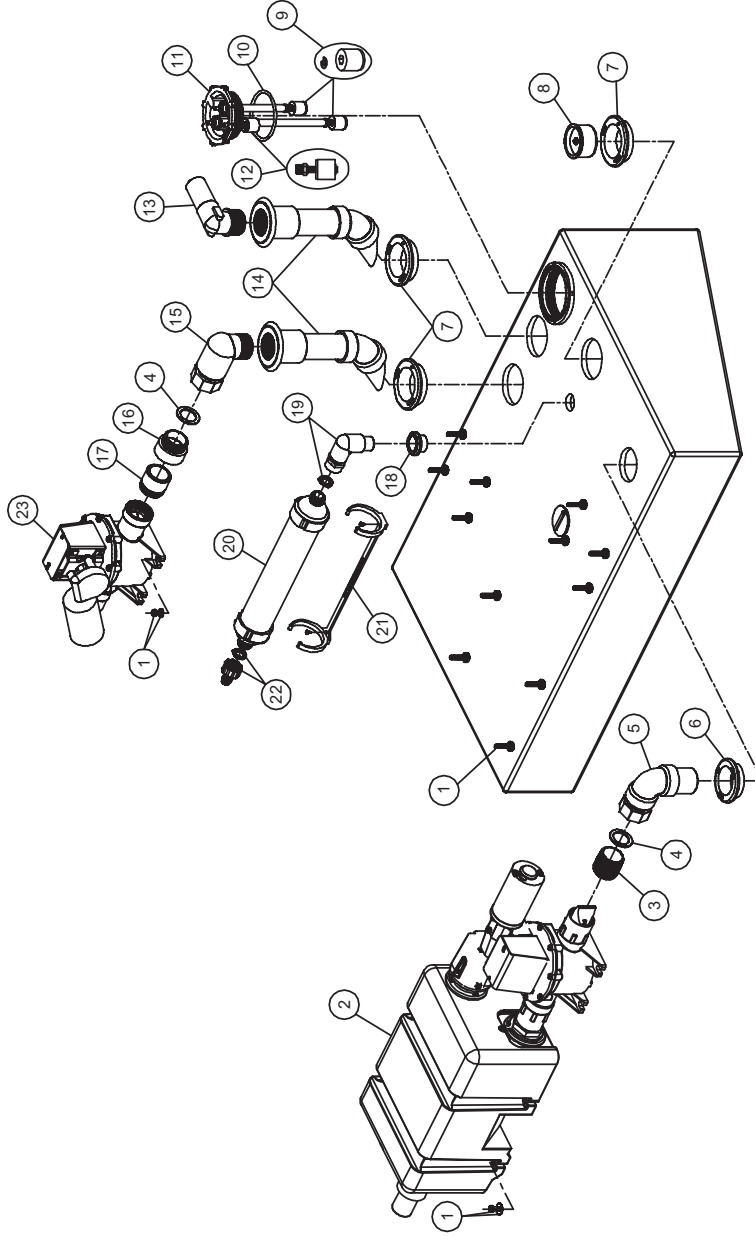
**PARTS LIST: 28+ HOLDING TANK SYSTEM / 322712824; 322712812; 322732812; 322732824**

ITEM	PART NUMBER & DESCRIPTION
1	385311275 VG4 MOUNTING HARDWARE
2	N/A VACUUM GENERATOR 4
3	385311237 SLIP SEAL ADAPTER FITTING
4	385311233 1-1/2" SLIP SEAL REPLACEMENT
5	385311236 VG4 HOLDING TANK INLET FITTING **INCLUDES ITEM 4 & 6.
6	385311111 1-1/2" SEALING GROMMET
7	385311110 2" SEALING GROMMET
8	N/A 2" PLUG FITTING
9	385311577 ELBOW DIPTUBE w/SWIVEL NUT **INCLUDES ITEM 4 & 7.
10	385640335 PUMP INLET FITTING
11	385311163 PUMP MOUNTING HARDWARE
12	N/A DISCHARGE PUMP
13	385310135 VENT FILTER FITTINGS
14	309310001 VENT FILTER REPLACEMENT
15	385310673 VENT FILTER MOUNTING KIT
16	385311164 1/2" SEALING GROMMET
17	385311103 TANK LEVEL FLOAT & LOCK RING
18	385311253 TANK LEVELS ADJUSTABLE - 12" **INCLUDES ITEM 16.
19	385311254 TANK LEVELS ADJUSTABLE - 24" **INCLUDES ITEM 16.
20	313255247 TANKSAVER **INCLUDES ITEM 7.
21	385311573 90° ELBOW DIPTUBE ASSEMBLY **INCLUDES ITEM 7.



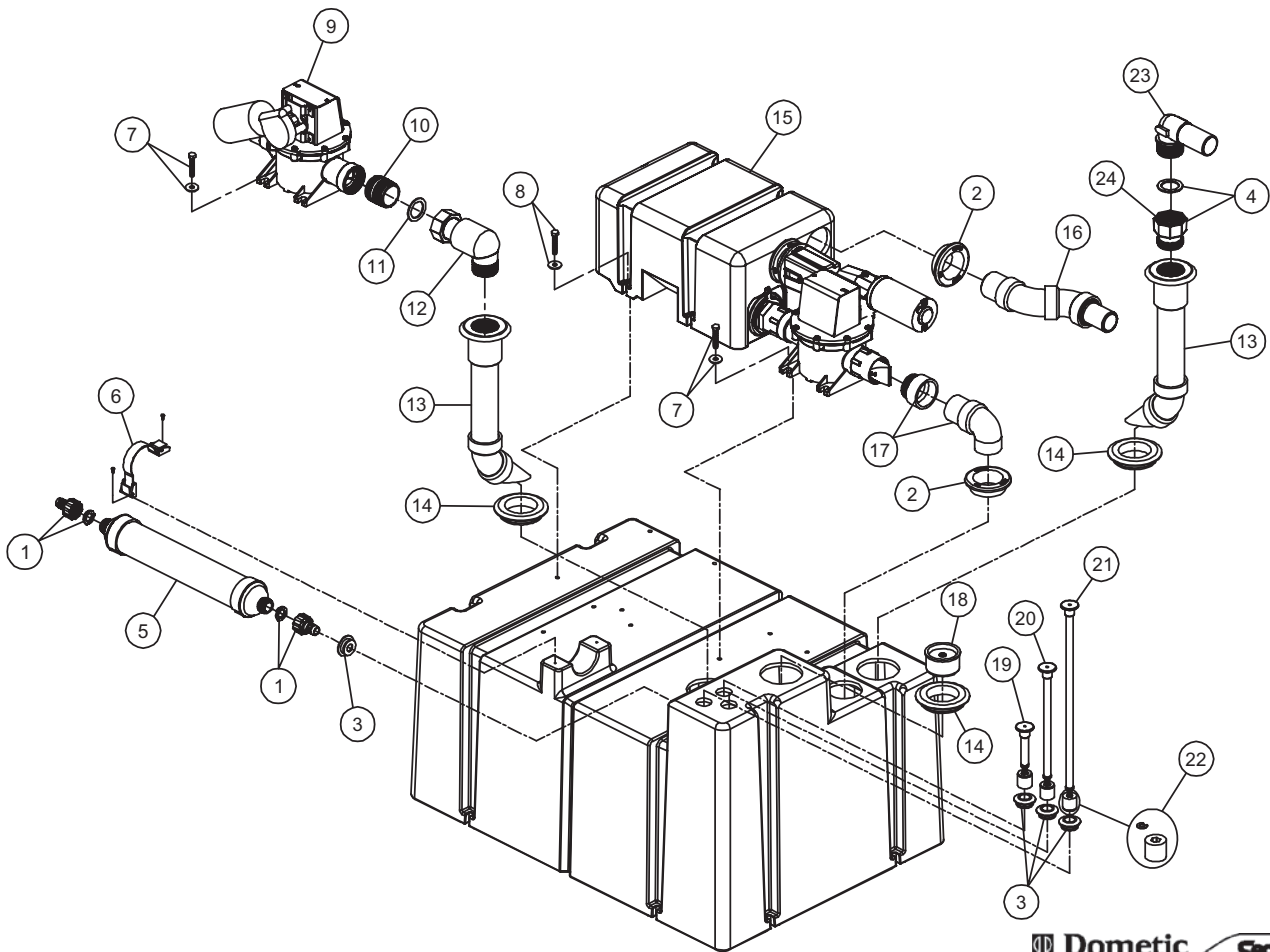
## PARTS LIST: MODEL 322722812 & 322722824

ITEM	PART NO.	DESCRIPTION
1	385310939	KIT, COMP MTG INSERT HD TANK
2	317773012	VGLPW12 REAR INLET
	317773024	VGLPW24 REAR INLET
3	385311272	NIPPLE, 1-1/2" CLOSE
4	385311233	KIT, SLIP SEAL 1-1/2" REPL
5	385311092	KIT, QUICK CONNECT ELBOW (INC. ITEM 4 & 6)
6	385311111	GROMMET, SEALING 1 1/2"
7	385311110	GROMMET, SEALING 2"
8	313255247	TANK SAVER, 1-1/2" (INC. ITEM 9)
9	385311103	KIT, FLOAT AND RING LOCK
10	385311250	KIT, TW CAP ORING REPL
11	313000355	CAP (INCLUDES ITEM 10)
12	385230268	FLOAT/STEM (THREADED)
13	385311233	KIT, 90° ELBOW FITTING
14	385310660	KIT, DIPTUBE (INC. ITEM 7)
15	385310931	QUICK CONNECT ELBOW
16	307341425	ADAPTER, 1-1/2" HUB X MPT
17	385640335	KIT, S-SUMP INLET TANK TO PUMP
18	385311112	KIT, SEALING GROMMET 3/4"
19	385311091	VENT ELBOW INLET 3/4" (INC. ITEM 18)
20	309310001	REPLACEMENT VENT FILTER
21	385311106	VENT FILTER MTG. BRACKET (INC. SCREWS)
22	385310135	FILTER INSTALLATION
23	317301200	T-PUMP 12VDC
	317302400	T-PUMP 24VDC



## PARTS LIST: 322713512 HTS 35-LPVGQ12/T12/TW4

ITEM	PART NO.	DESCRIPTION	ITEM	PART NO.	DESCRIPTION
1	385310135	VENT FILTER FITTINGS	13	385310660	DIPTUBE KIT (inc. item 14)
2	385311111	1-1/2" UNISEAL	14	385311110	2" UNISEAL
3	385311164	1/2" UNISEAL	15	N/A	SEE LOW PROFILE VG PARTS LIST
4	385310914	1-1/2" SWIVEL ELBOW KIT (inc. item 23)	16	385310787	45° ELBOW KIT (inc. item 2)
5	309310001	5/8" HOLDING TANK VENT FILTER (item # 1 not inc.)	17	385310844	TANK INLET ELBOW KIT (inc. item 2)
6	385310673	FILTER MOUNTING KIT	18	313255247	1-1/2" TANKSAVER VALVE (inc item 14)
7	385311163	KIT, MTG HARDWARE PUMP TO TANK	19	385310841	FULL LEVEL INDICATOR (inc. item 3)
8	385311162	KIT, MTG HARDWARE VG TO HTS	20	385310840	MID LEVEL INDICATOR (inc. item 3)
9	317301200	12VDC OVERBORD DISCHARGE PUMP	21	385310839	EMPTY LEVEL INDICATOR (inc. item 3)
10	385640370	KIT, LH/RH THREAD ADAPTER	22	385311103	KIT, SWITCH FLOAT & LOCK RING
11	385311233	KIT, SLIP SEAL 1-1/2" REPL	23	385311251	KIT, 90° ELBOW FITTING
12	385310931	KIT, QUICK CONNECT ELBOW (inc. item 11)	24	385311070	KIT, THR'D QUICK CONT ADAPT (inc. item 11)

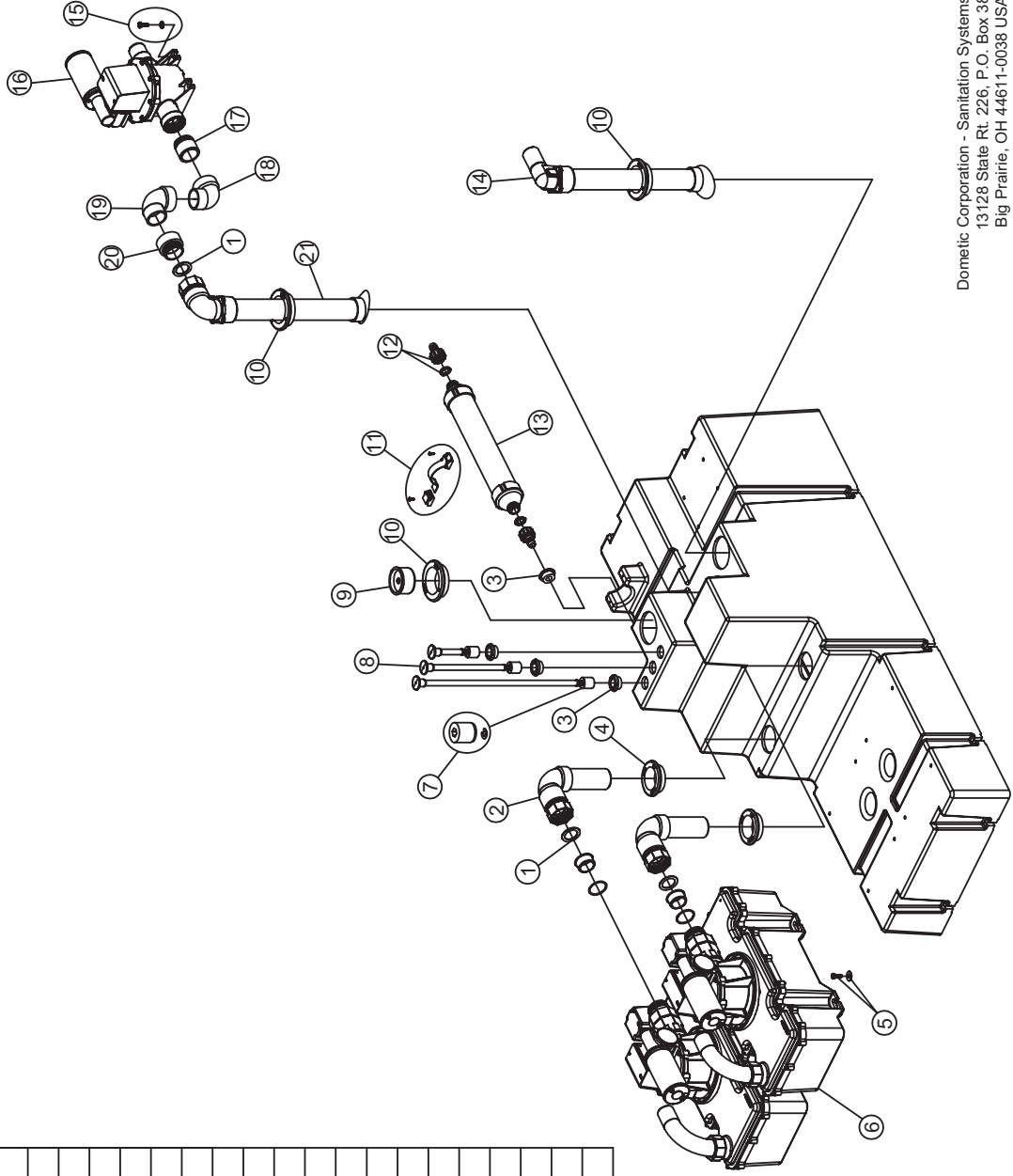


**Dometic** *Sealand*

Dometic Corporation - Sanitation Systems  
13128 State Rt. 226, P.O. Box 38  
Big Prairie, OH 44611-0038 USA  
Telephone: 330-496-3211  
Fax: 330-496-3097  
Email: sealand@dometicusa.com

## PARTS LIST: 39 GAL HTS. 322703912 - 322703924

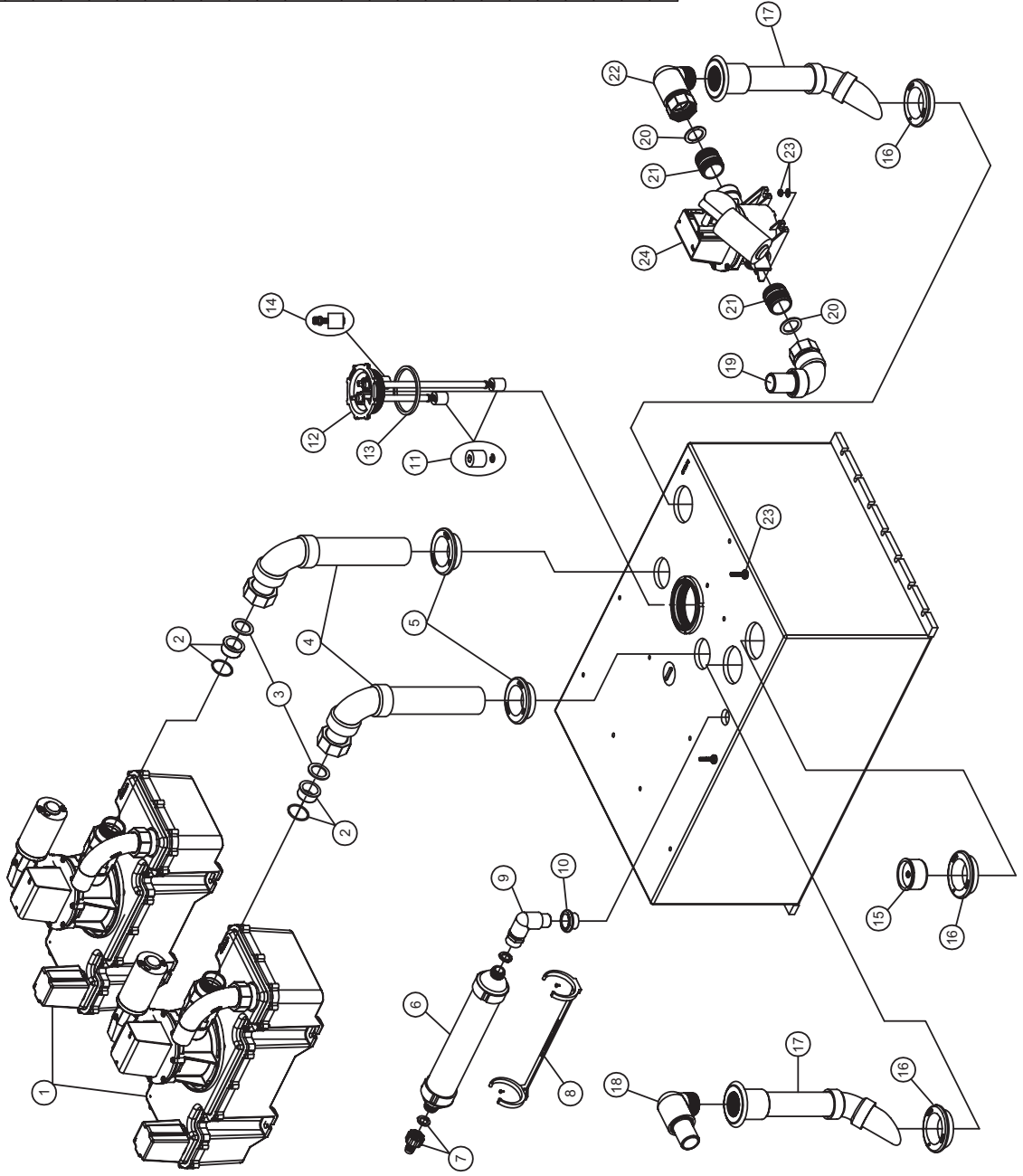
ITEM	PART NO.	DESCRIPTION
1	385311233	KIT, SUP SEAL 1-1/2" REPL
2	385311460	KIT, INLET ASSY VG4 TO TK (39) (INC 1 & 4)
3	385311164	KIT, SEALING GROMMET 1/2"
4	385311111	KIT, SEALING GROMMET 1-1/2"
5	385311162	KIT, MTG HARDWARE VG TO HTS
6	N/A	SEE VG4 EXPLODED PARTS LIST
7	385311103	KIT, SWITCH FLOAT & LOCK RING
8	385311253	KIT, ADJ INDV LEVEL INDIC 12" (INC 3)
9	313255247	TANK SAVER, 1-1/2" (INC 10)
10	385311110	KIT, SEALING GROMMET 2"
11	385310673	KIT, FILTER MOUNTING-HTS
12	385310135	KIT, FILTER INSTALLATION
13	309310001	HOLDING TANK REPL FILTER
14	385311573	KIT, DIPTUBE 90° ELBOW GLUED (INC 10)
15	385311163	KIT, MTG HARDWARE PUMP TO TANK
16	N/A	SEE PUMP EXPLODED PARTS LIST
17	385640335	KIT, S-SUMP INLET TANK TO PUMP
18	307341161	ELL, STREET 90 DEGREE
19	600342787	ELBOW, STREET 1/4 BEND-1-1/2"
20	307341425	ADAPTER, 1-1/2" HUB X MPT
21	385311575	KIT, TPUMP DIPTUBE ELUS/WIV CON



PARTS LIST: 322714012, 322714024

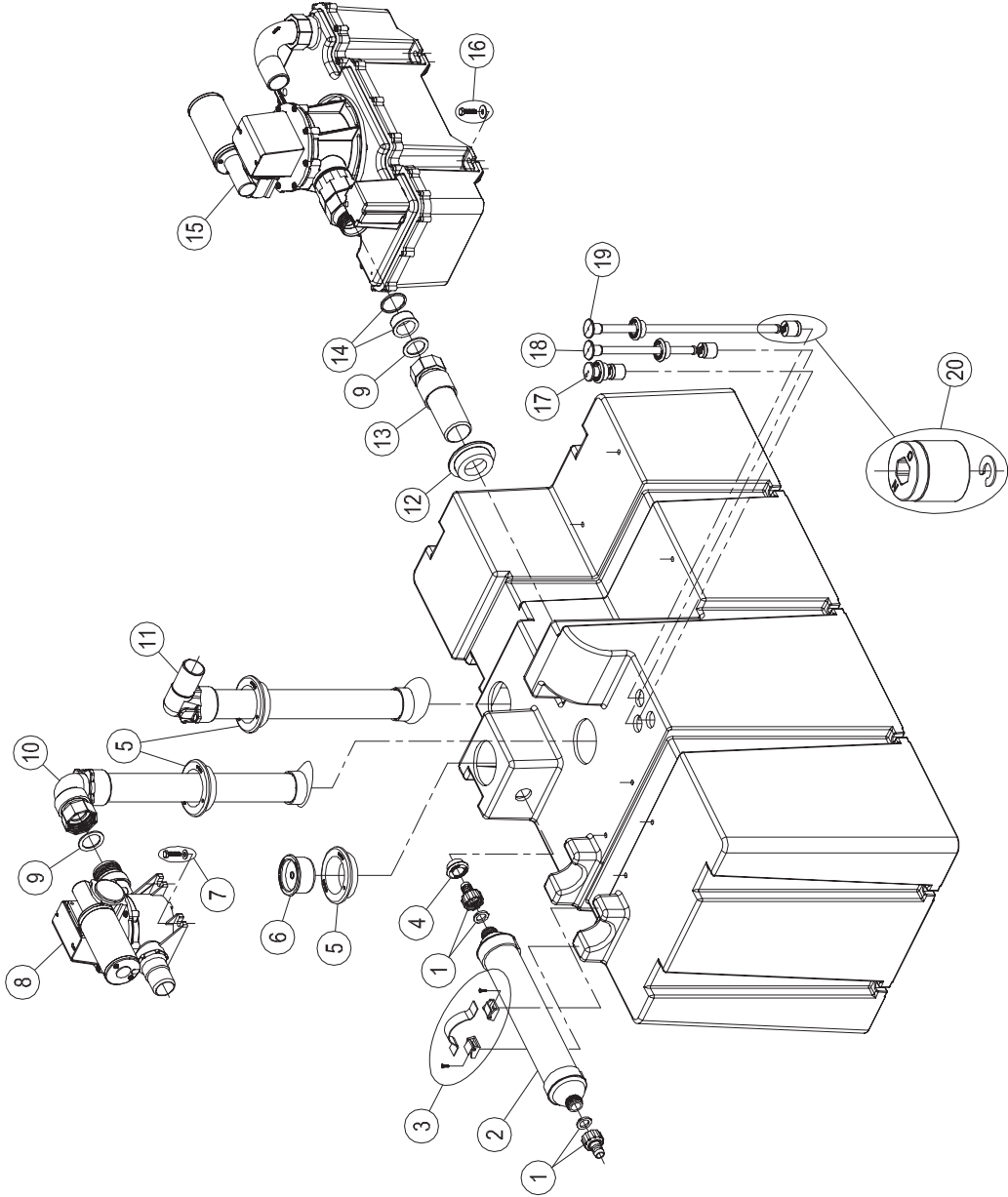
ITEM	PART NO.	DESCRIPTION
1	N/A	SEE LPV/G EXPLODED PARTS LIST
2	385311237	KIT, SLIP SEAL ADAPTER-VG4
3	385311233	KIT, SLIP SEAL 1-1/2" REPL
4	385311306	KIT, VG4 INLET (322404005) (inc. items 3 & 5)
5	385311111	KIT, SEALING GROMMET 1-1/2"
6	309310001	HOLDING TANK REPL FILTER
7	385310135	KIT, FILTER INSTALLATION
8	385311106	KIT, VENT FILTER BRACKET
9	385311091	KIT, VENT ELBOW/INLET 3/4" (inc. item 10)
10	385311112	KIT, SEALING GROMMET 3/4"
11	385311103	KIT, SWITCH FLOAT & LOCK RING
12*	313000350	TWIII LEVEL CAP w/VENT (inc. item 13)
13	385311149	KIT, TW CAP W/O VENT(D) 4040H (inc. item 13)
14	385311250	KIT, TW CAP ORING REPL
15	385230268	KIT, FLOAT/STEM (THREADED)
16	313255247	TANKSAVER 1-1/2" (inc. item 16)
17	385311110	KIT, SEALING GROMMET 2"
18	385310660	KIT, DIP TUBE-UNIVERSAL (inc. item 16)
19	385311069	KIT, THRD ELBOW W/HOSE ADAPT
20	385310535	KIT, OPTIONAL ELBOW-VG II (inc. item 21)
21	385311233	KIT, SLIP SEAL 1-1/2" REPL
22	385640370	KIT, LH/RH THREAD ADAPTER
23	385310931	KIT, QUICK CONNECT ELBOW (inc. item 21)
24	385310939	KIT, COIWF MTG INSERT HD TANK
24	385310939	SEE PUMP EXPLODED PARTS LIST.

\*Models 322404005 and 322404008 have non vented caps.  
\*Models 322714012 and 322714024 have vented caps.



Dometic Corporation - Sanitation Systems  
13128 State Rt. 226, P.O. Box. 38  
Big Prairie, OH 44611-0038 USA  
Telephone: 330-496-3211  
Fax: 330-496-3097  
Email: sealand@dometicus.com

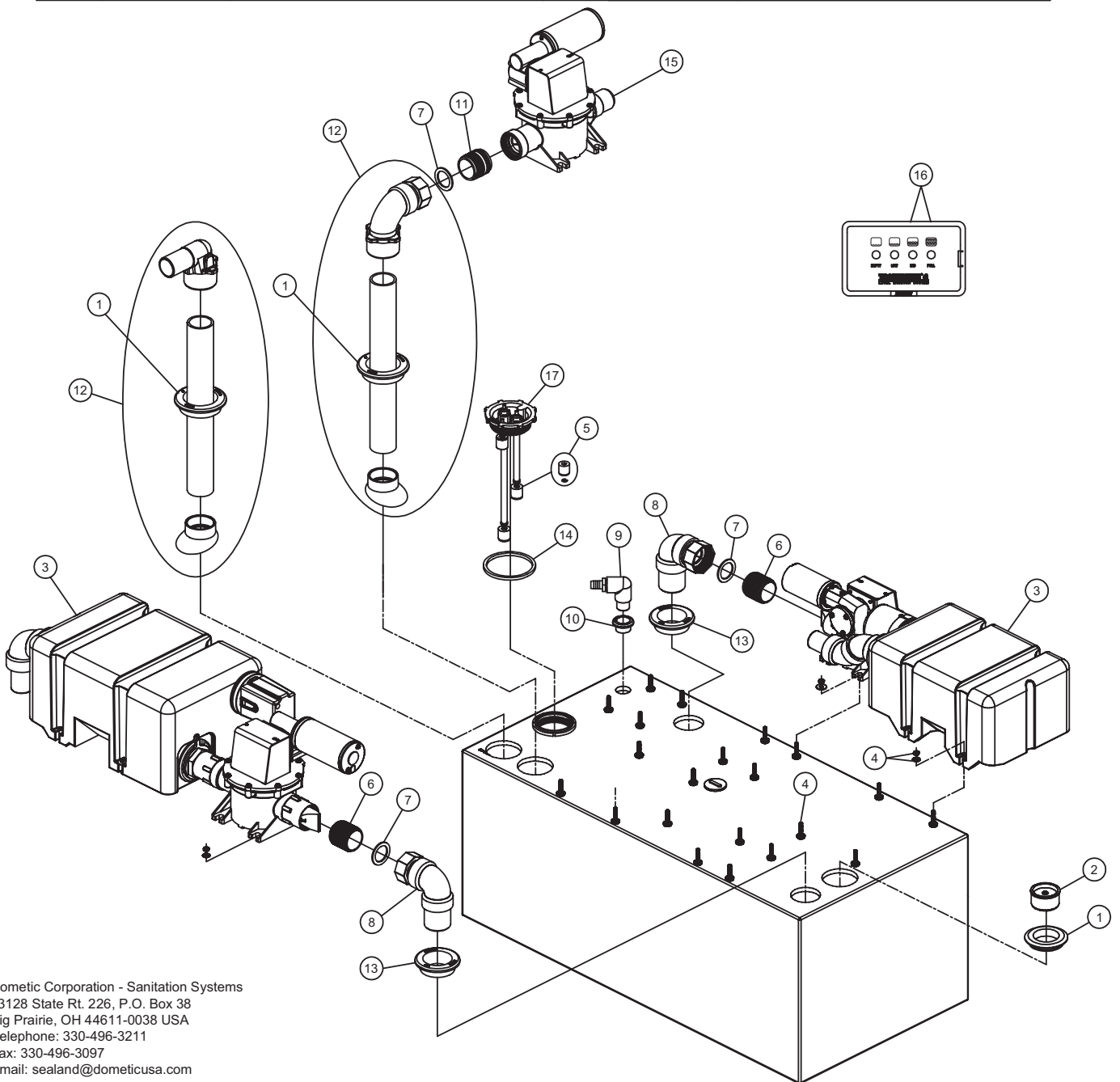
**PARTS LIST: 42 GALLON HTS / 322714212 & 322014224**



ITEM	PART NUMBER & DESCRIPTION
1	385310135 VENT FILTER FITTINGS
2	309310001 VENT FILTER REPLACEMENT
3	385310673 VENT FILTER MOUNTING KIT
4	385311164 1/2" SEALING GROMMET
5	385311110 2" SEALING GROMMET
6	313255247 TANKSAVER **INCLUDES ITEM 5.
7	385311163 PUMP MTG HARDWARE
8	N/A DISCHARGE PUMP
9	385311233 1-1/2" SLIP SEAL REPLACEMENT
10	385311575 ELBOW DIPTUBE w/SWIVEL NUT **INCLUDES ITEM 5 & 9.
11	385311573 90° ELBOW DIPTUBE ASSEMBLY **INCLUDES ITEM 5.
12	385311111 1-1/2" SEALING GROMMET
13	385311236 VG/TANK INLET FITTING **INCLUDES ITEM 9 & 12.
14	385311237 VG SLIP SEAL ADAPTER KIT
15	N/A VACUUM GENERATOR 4
16	385311162 VG MTG HARDWARE
17	313900101 TANK FULL LEVEL **INCLUDES ITEM 4.
18	385311253 ADJUSTABLE TANK LEVEL 12". **INCLUDES ITEM 4.
19	385311254 ADJUSTABLE TANK LEVEL 24". **INCLUDES ITEM 4.
20	385311103 TANK LEVEL FLOAT & LOCK RING

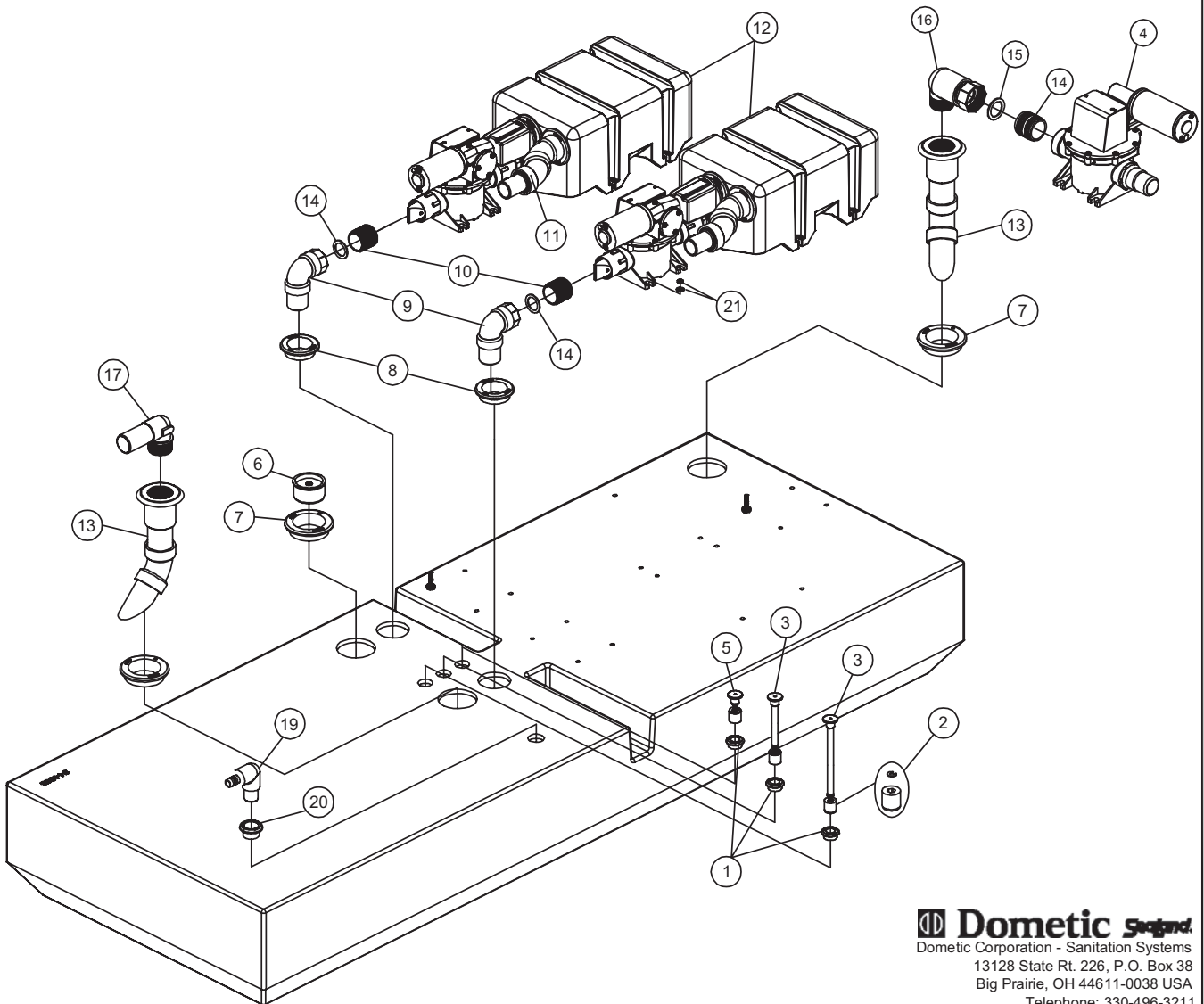
## PARTS LIST: HD TANK 4055 (322715512 & 322715524)

ITEM	PART NO.	DESCRIPTION	ITEM	PART NO.	DESCRIPTION
1	385311110	SEALING GROMMET 2"	10	385311112	GROMMET, SEALING 3/4"
2	313255247	1 1/2" TANKSAVER (INC. 1)	11	385640370	KIT, LH/RH THREAD ADAPTER
3	--	SEE VGLP EXPLODED PARTS LIST	12	385311596	KIT, DIPT LRG SWEEP EL/NUT (INC 1)
4	385310939	KIT, COM'P MTG INSERT HD TANK	13	385311111	1-1/2" SEALING GROMMET
5	385311103	KIT, SWITCH FLOAT & LOCK RING	14	385311250	KIT, TW CAP ORING REPL
6	388640366	NIPPLE, CLOSE 1 1/2"	15	N/A	SEE T-PUMP PARTS LIST
7	385311233	SLIP JOINT SEAL 1-1/2"	16	360600212	TW4 PANEL W/RELAY-12VDC
8	385311092	SWIVEL ELBOW (INC. 7 & 13)		360600224	TW4 PANEL W/RELAY-24VDC
9	385311073	VENT ELBOW (INC.10)	17	313000355	TW CAP W/O VENT



## PARTS LIST: HTS 80 LPVG12/T12 OR 24/TW4

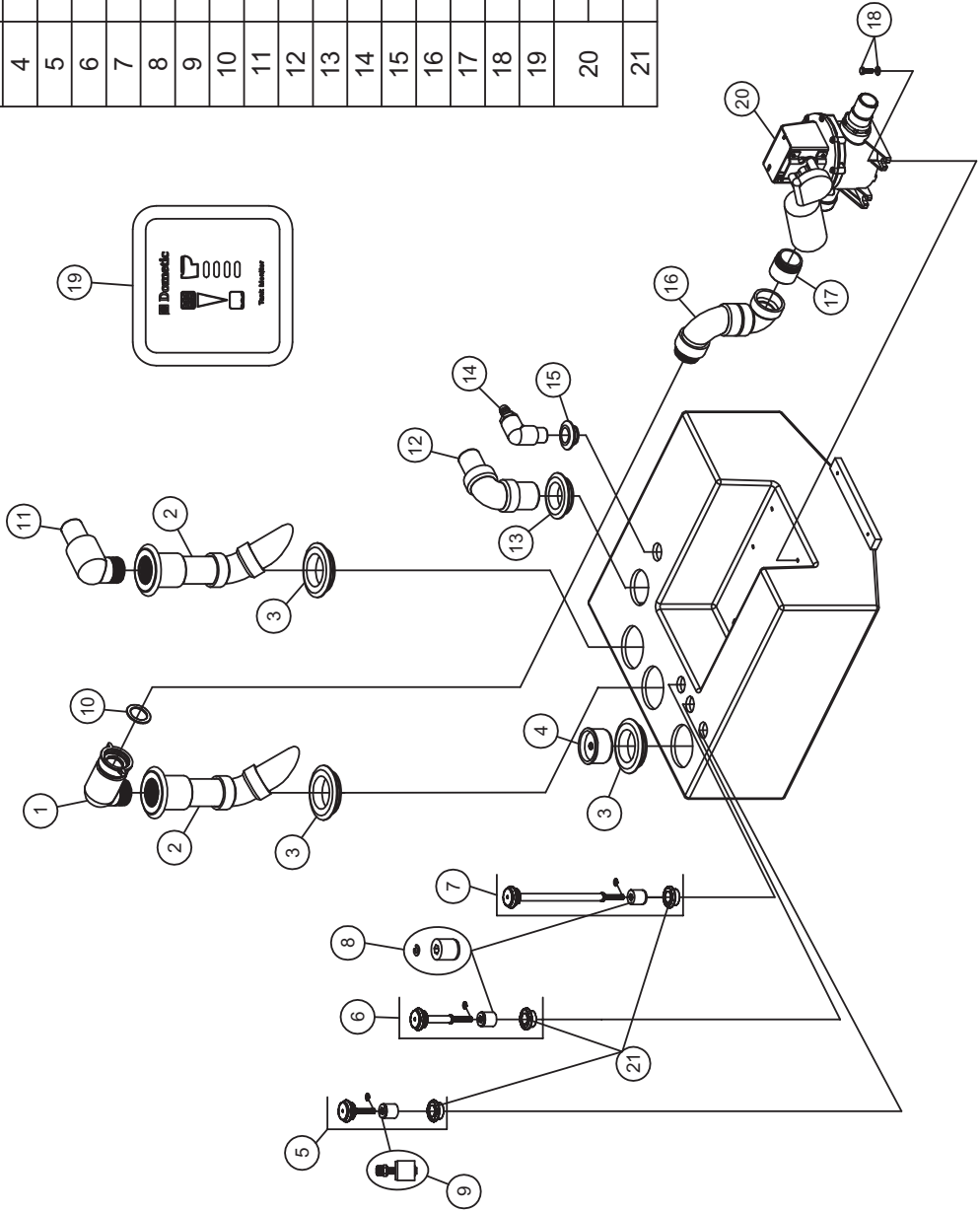
ITEM	PART NO.	DESCRIPTION	ITEM	PART NO.	DESCRIPTION
1	385311164	SEALING GROMMET ½"	11	385310787	KIT, 45 INLET ELBOW/UNISEALS (inc. item 8)
2	385311103	REED SWITCH FLOAT & LOCK RING KIT	12	N/A	SEE VACUUM GENERATOR PARTS LIST
3	385311104	LEVEL INDICATOR - 5- ½" (inc. item 1)	13	385310660	DIPTUBE KIT 24" (inc. item 7)
4	N/A	SEE PUMP PARTS LIST	14	385311233	KIT, SLIP SEAL 1-1/2" REPL
5	313900101	TANK FULL FLOAT (inc. item 3)	15	385640370	KIT, LH/RH THREAD ADAPTER
6	313255247	1 ½" TANKSAVER (inc. item 7)	16	385310931	KIT, QUICK CONNECT ELBOW (inc. item 14)
7	385311110	SEALING GROMMET 2"	17	385311251	KIT, 90° ELBOW FITTING
8	385311111	1-½" SEALING GROMMET	18	385310939	KIT, COMP MTG INSERT HD TANK
9	385311092	SWIVEL ELBOW KIT (inc. item 8 & 14)	19	385311073	KIT, VENT ELBOW-BARBED
10	385311272	KIT, 1-1/2" CLOSED NIP(MACH'N)	20	385311112	SEALING GROMMET ¾"





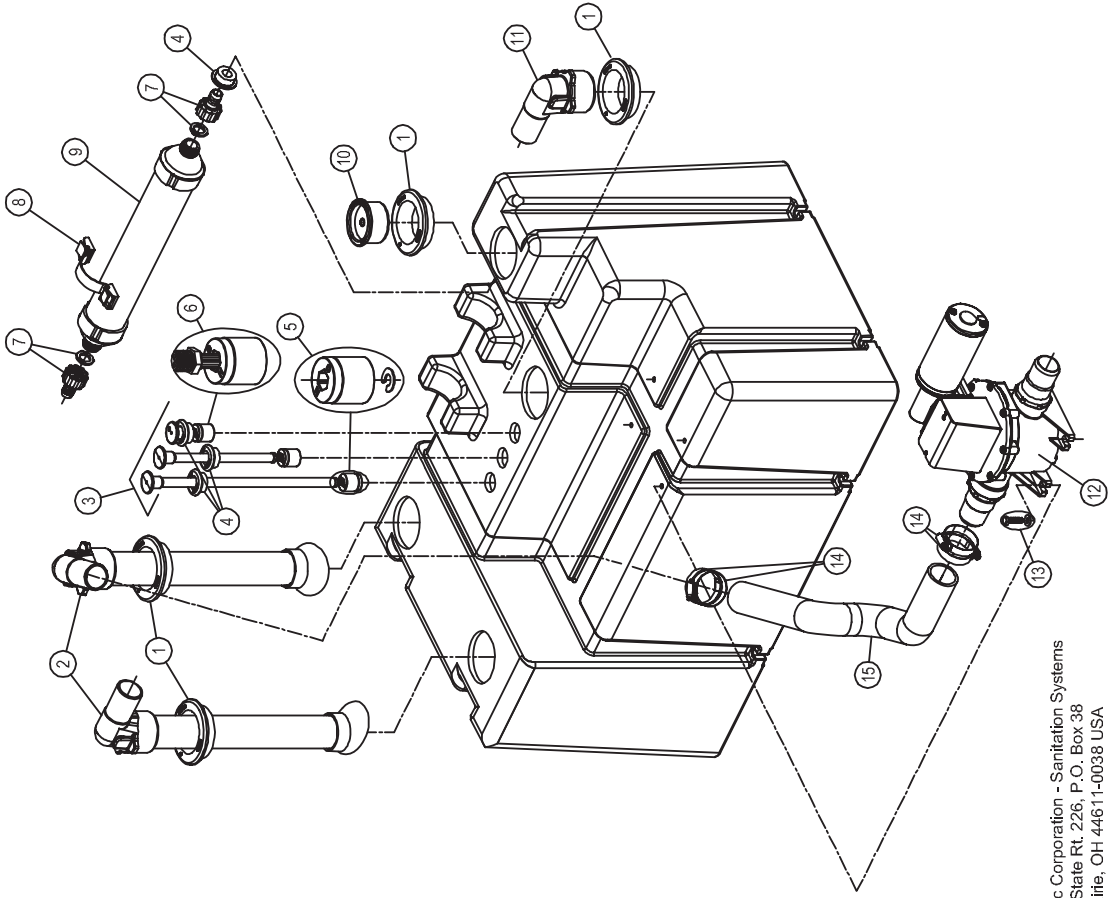
# PARTS LIST: 10 GALLON HULL 322721012-322721024

ITEM	PART NO.	DESCRIPTION
1	385310931	QUICK CONNECT FITTING (INC 10)
2	385310660	KIT, DIP TUBE-UNIVERSAL (INC 3)
3	385311110	KIT, SEALING GROMMET 2"
4	313255247	TANKSAVER (INC 3)
5	313900101	FULL FLOAT INDICATOR (INC 21)
6	385311031	MID FLOAT INDICATOR (INC 21)
7	385311032	EMPTY FLOAT INDICATOR (INC 21)
8	385311103	SWITCH FLOAT & LOCK RING
9	385230268	THREADED SWITCH FLOAT & LOCK RING
10	385311233	KIT, SLIP SEAL 1-1/2" REP'L
11	385311069	KIT, THR'D ELBOW W/HOSE ADAPT
12	385310635	KIT, INLET ELBOW-UNISEAL (INC 13)
13	385311111	KIT, SEALING GROMMET 1-1/2"
14	385311073	KIT, VENT ELBOW-BARBED (INC 15)
15	385311112	KIT, SEALING GROMMET 3/4"
16	385311029	PUMP TO DIPTUBE TRANS ELBOW KIT (INC 10)
17	385640335	KIT, PUMP ADAPTER FITTING
18	385311163	KIT, MTG HARDWARE PUMP TO TANK
19	313604402	DTM04 PNL ONLY/12VDC RLY-BLK
20	385310930	12VDC PUMP (REV. TOP)
	385311156	24VDC PUMP (REV. TOP)
21	385311164	KIT, SEALING GROMMET 1/2"



# PARTS LIST: 28 GALLON HTS / 322002812

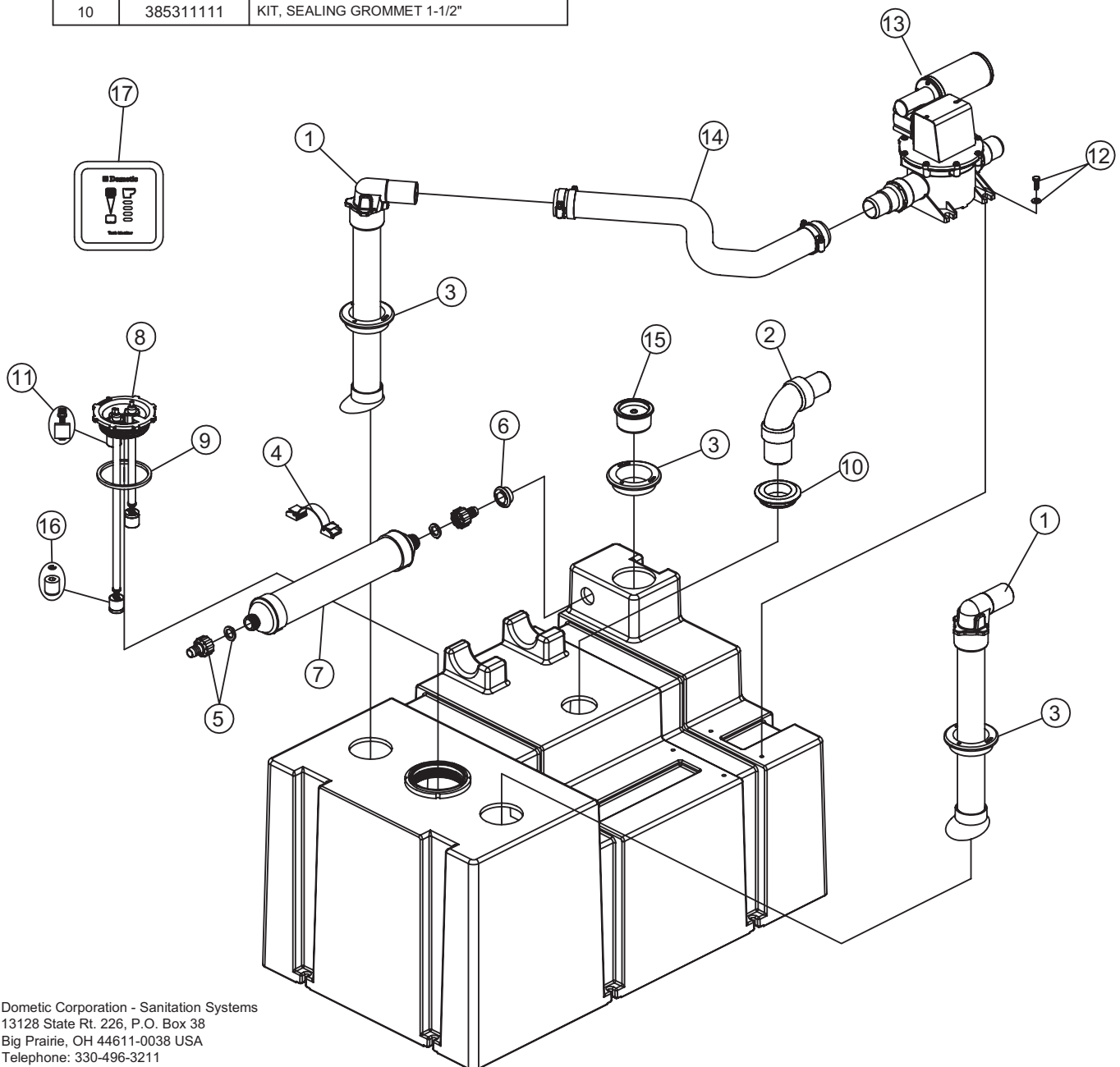
ITEM	PART NUMBER & DESCRIPTION
1	385311110 2" SEALING GROMMET
2	385311573 DIPTUBE ASSEMBLY 90° ELBOW **INCLUDES ITEM 1
3	385311315 TANK LEVELS w/DT CONNECTOR **INCLUDES ITEM 4
4	385311164 1/2" SEALING GROMMET
5	385311103 TANK LEVEL FLOAT & LOCK RING
6	385230268 THREADED STEM/FLOAT REPLACEMENT
7	385310135 VENT FILTER FITTINGS
8	385310673 VENT FILTER MOUNTING KIT
9	309310001 VENT FILTER
10	31325247 TANKSAVER **INCLUDES ITEM 1
11	385311608 1-1/2" INLET ELBOW FITTING **INCLUDES ITEM 1
12	N/A DISCHARGE PUMP **SEE DISCHARGE PUMP LIST.
13	385311163 PUMP MOUNTING HARDWARE
14	385311898 1-1/2" HOSE CLAMP **INCLUDES 2 CLAMPS PER KIT
15	385311089 1-1/2" HOSE REPLACEMENT (24")



**PARTS LIST: 322014012  
322014024**

**HTS 40-DTM04/12VDC  
HTS 40-DTM04/24VDC**

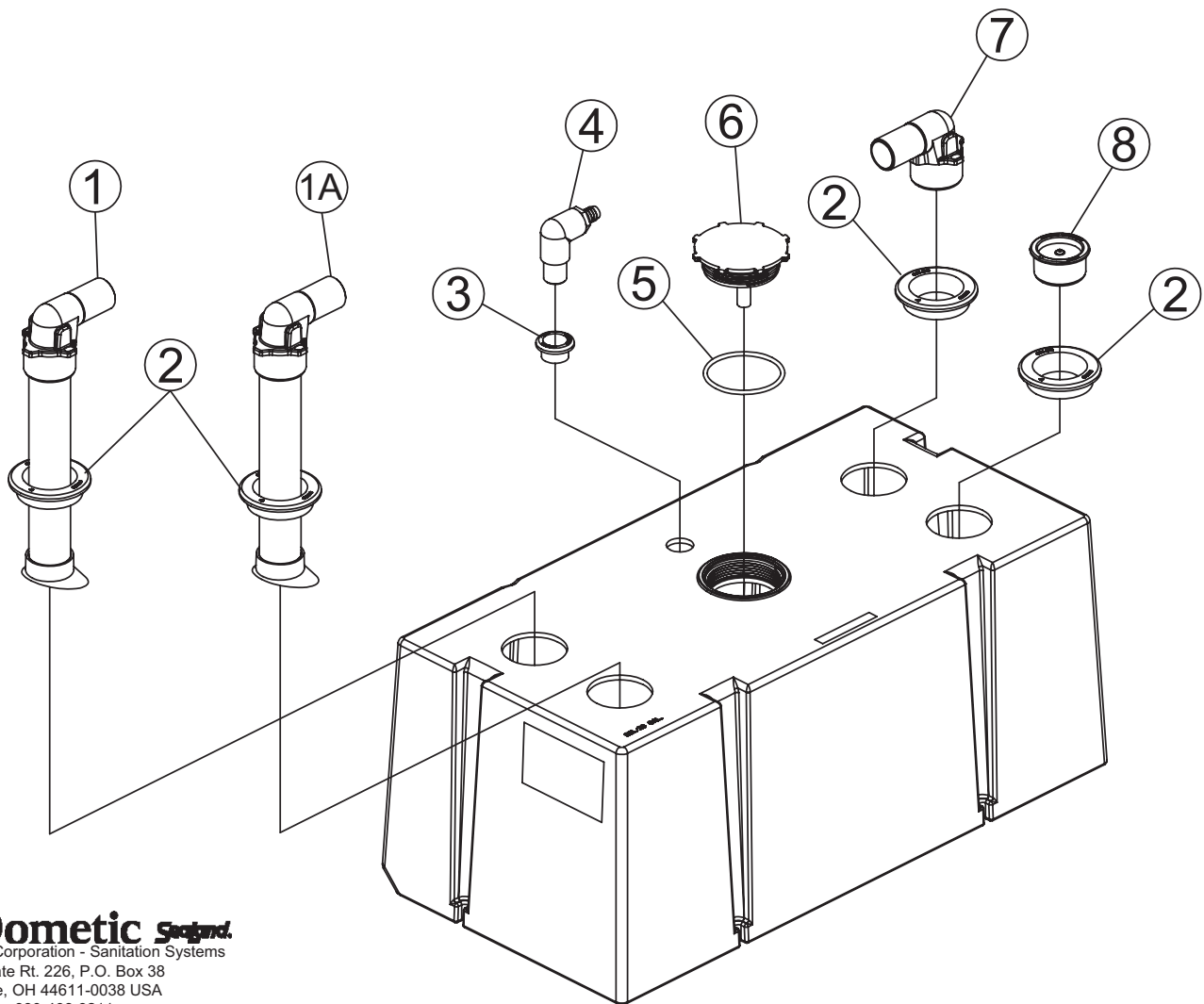
ITEM	PART NO.	DESCRIPTION	ITEM	PART NO.	DESCRIPTION
1	385311573	KIT, DIPTUBE 90° ELBOW GLUED (INC 3)	11	385230268	KIT, FLOAT/STEM (THREADED)
2	385310635	KIT, INLET ELBOW-UNISEAL (INC. 10)	12	385311163	KIT, MTG HARDWARE PUMP TO TANK
3	385311110	KIT, SEALING GROMMET 2"	13	N/A	SEE PUMP EXPLODED PARTS LIST
4	385310673	KIT, FILTER MOUNTING-HTS	14	385311089	KIT, HD TK 1-1/2" HOSE REPL
5	385310135	KIT, FILTER INSTALLATION	15	313255247	TANK SAVER, 1-1/2" (INC. ITEM 3)
6	385311164	KIT, SEALING GROMMET 1/2"	16	385311103	KIT, SWITCH FLOAT & LOCK RING
7	309310001	HOLDING TANK REPL FILTER	17	313604401	DTM04 PNL ONLY - BLACK
8	385310646	KIT, TW III CAP W/O VENT-40HTS (INC. 9)			
9	385311250	KIT, TW CAP ORING REPL			
10	385311111	KIT, SEALING GROMMET 1-1/2"			



# PARTS LIST:

P/N: 600346052  
REV.: 11/08

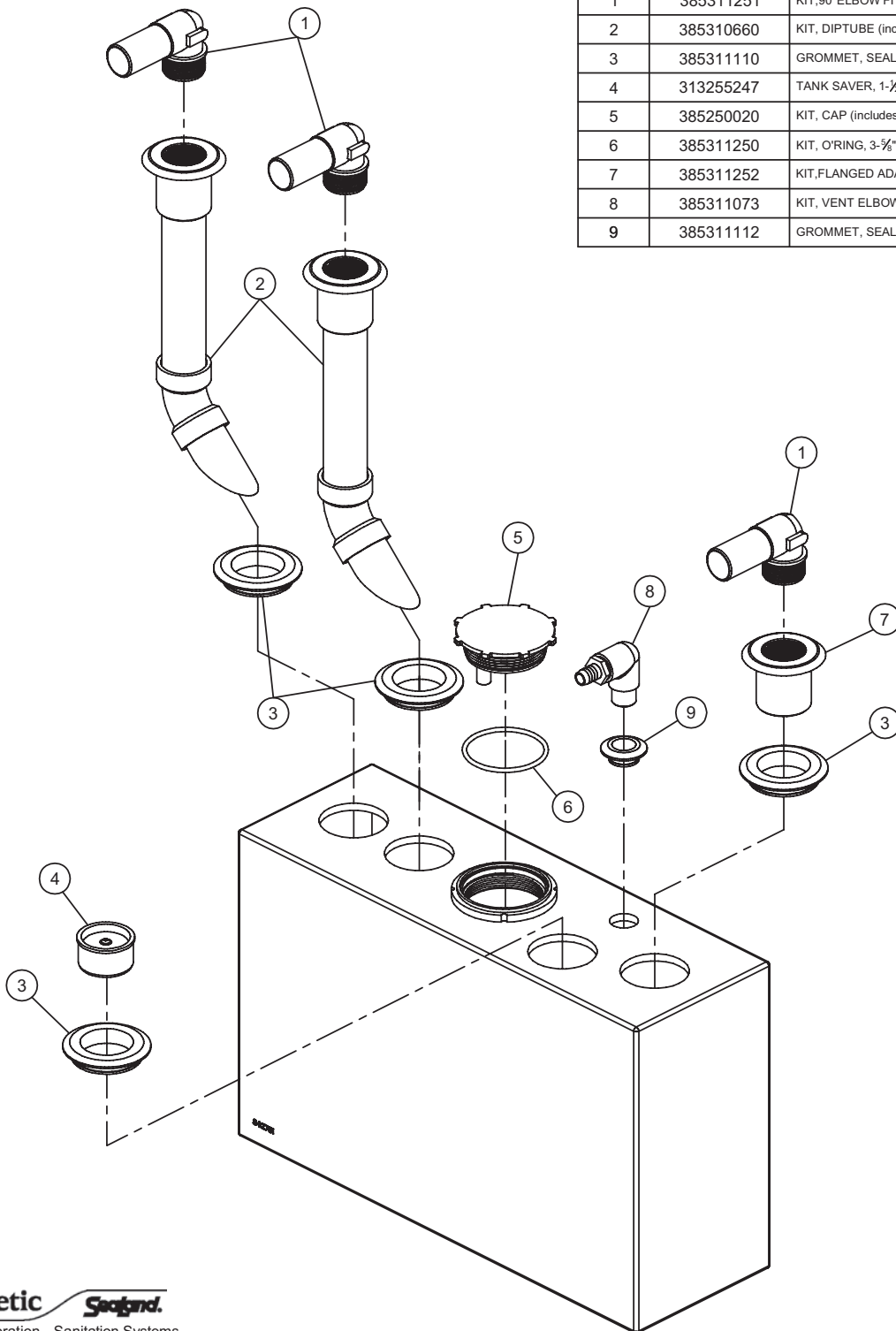
322601101	HD TANK-EU 42L/11G W/CAP		
322601601	HD TANK-EU 61L/16G W/CAP		
322602301	HD TANK-EU 88L/23G W/CAP		
322602901	HD TANK-EU 110L/29G W/CAP		
322603601	HD TANK-EU 137L/36G W/CAP		
LITER	ITEM	PART NO.	DESCRIPTION
42 - 61 - 110	1	385311606	KIT, DIPTUBE/ELBOW/SEAL 9-5/8 (INC.2)
88L - 137L	1A	385311607	KIT, DIPTUBE/ELBOW/SEAL11-3/16 (INC.2)
ALL MODELS	2	385311110	KIT, SEALING GROMMET 2"
ALL MODELS	3	385311112	KIT, SEALING GROMMET 3/4"
ALL MODELS	4	385311073	KIT, VENT ELBOW-BARBED (INC. 3)
ALL MODELS	5	385311250	KIT, TW CAP ORING REPL
ALL MODELS	6	385250020	KIT, 4010 TANK CAP/O'RING (INC. 5)
ALL MODELS	7	385311608	KIT, INLET ELBOW (1PC)(INC.2)
ALL MODELS	8	313255247	TANKSAVER 1-1/2" (INC. 2)



**Dometic** *sealand.*  
Dometic Corporation - Sanitation Systems  
13128 State Rt. 226, P.O. Box 38  
Big Prairie, OH 44611-0038 USA  
Telephone: 330-496-3211  
Fax: 330-496-3097  
Email: sealand@dometicus.com

## PARTS LIST: MODEL 322840122 HTS BASIC

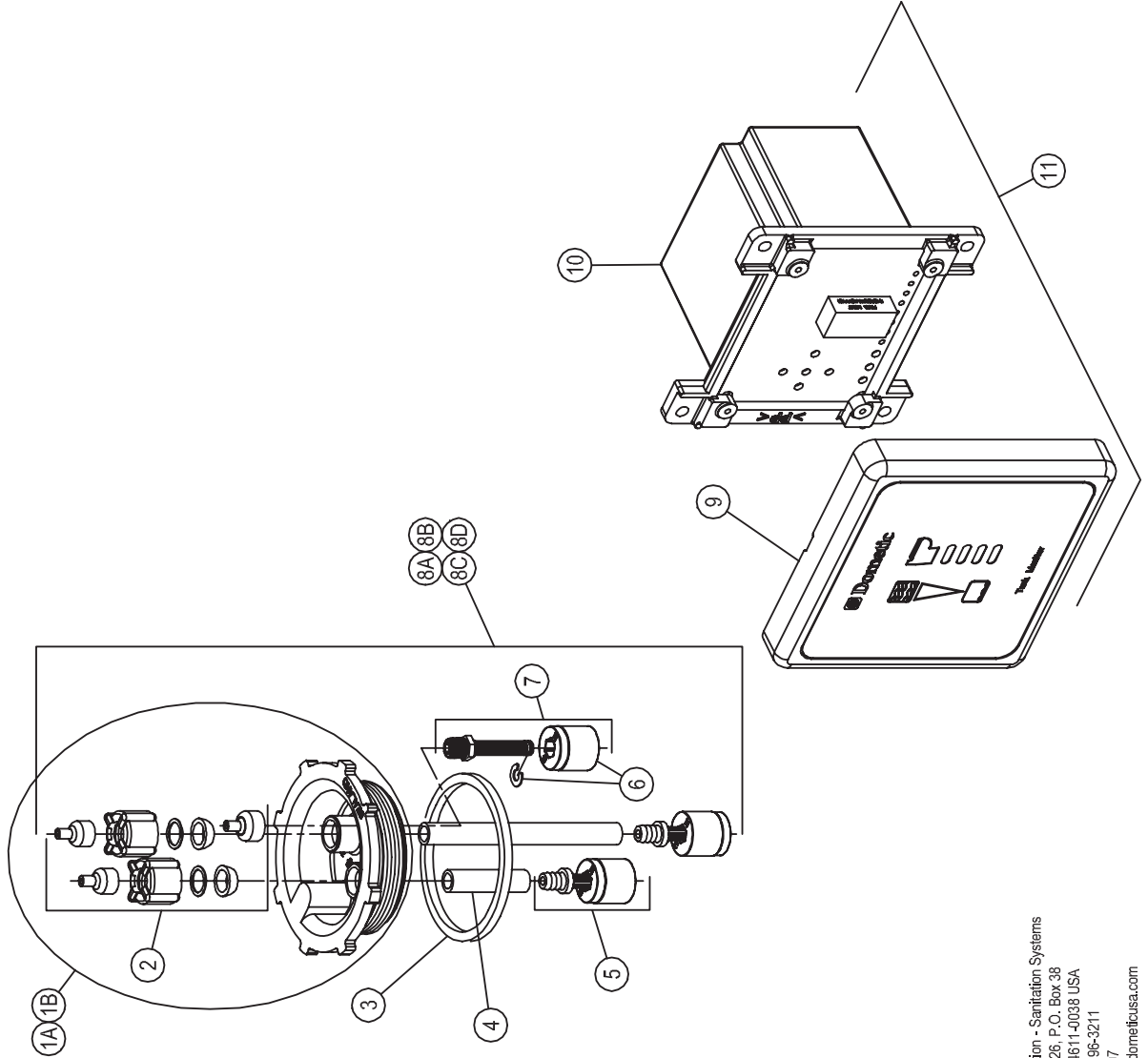
ITEM	PART NO.	DESCRIPTION
1	385311251	KIT, 90° ELBOW FITTING
2	385310660	KIT, DIPTUBE (includes item 3)
3	385311110	GROMMET, SEALING 2"
4	313255247	TANK SAVER, 1-1/2" (includes item 3)
5	385250020	KIT, CAP (includes item 6)
6	385311250	KIT, O'RING, 3-3/8" OD X 3/16"
7	385311252	KIT, FLANGED ADAPTER FITTING
8	385311073	KIT, VENT ELBOW BARBED
9	385311112	GROMMET, SEALING 3/4"



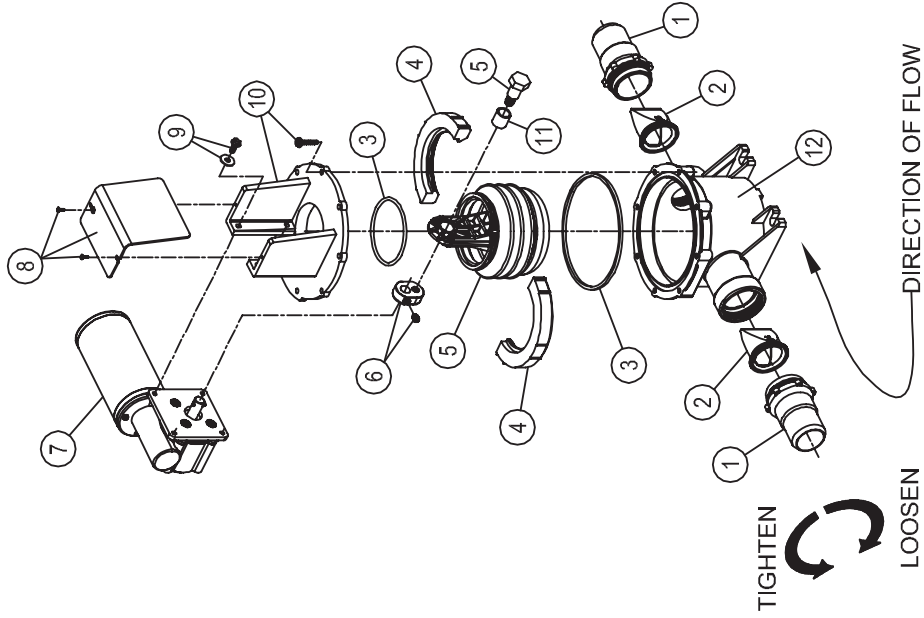
Dometic Corporation - Sanitation Systems  
 13128 State Rt. 226, P.O. Box 38  
 Big Prairie, OH 44611-0038 USA  
 Telephone: 330-496-3211  
 Fax: 330-496-3097  
 Email: sealand@dometicus.com

**PARTS LIST: DTM04; DMT08; DTM12 MODELS**

ITEM	PART NUMBER & DESCRIPTION
1A	385311765 TW CAP ASSEMBLY w/VENT
1B	385311766 TW CAP ASSEMBLY w/o VENT
2	385310258 COMPRESSION NUT KIT
3	385311250 TW CAP O'RING REPLACEMENT
4	385230930 22" FLEX PROBE KIT
5	385310758 BARBED STEM/FLOAT REPLACEMENT
6	385311103 TANK LEVEL FLOAT & LOCK RING
7	385230268 THREADED STEM/FLOAT REPLACEMENT
8A	313000350 TW CAP COMPLETE w/VENT
8B	313000355 TW CAP COMPLETE w/o VENT
8C	313000345 TW CAP COMPLETE w/VENT 45" PROBES
8D	313000346 TW CAP COMPLETE w/o VENT 45" PROBES
9	385311477 PANEL COVER DTM04 - BLACK 385311478 PANEL COVER DTM04 - WHITE 385311479 PANEL COVER DTM08 - BLACK 385311480 PANEL COVER DTM08 - WHITE 385311481 PANEL COVER DTM12 - BLACK 385311482 PANEL COVER DTM12 - WHITE
10	385311483 CIRCUIT BOARD PANEL - DTM04 385311484 CIRCUIT BOARD PANEL - DTM08 385311485 CIRCUIT BOARD PANEL - DTM12
11	313604401 DTM04 PANEL ONLY - BLACK 313604411 DTM04 PANEL ONLY - WHITE 313608401 DTM08 PANEL ONLY - BLACK 313608411 DTM08 PANEL ONLY - WHITE 313612401 DTM12 PANEL ONLY - BLACK 313612411 DTM12 PANEL ONLY - WHITE
NOT SHOWN	385311579 12VDC SHUTDOWN RELAY KIT (DTM04 ONLY) 385311580 24VDC SHUTDOWN RELAY KIT (DTM04 ONLY)

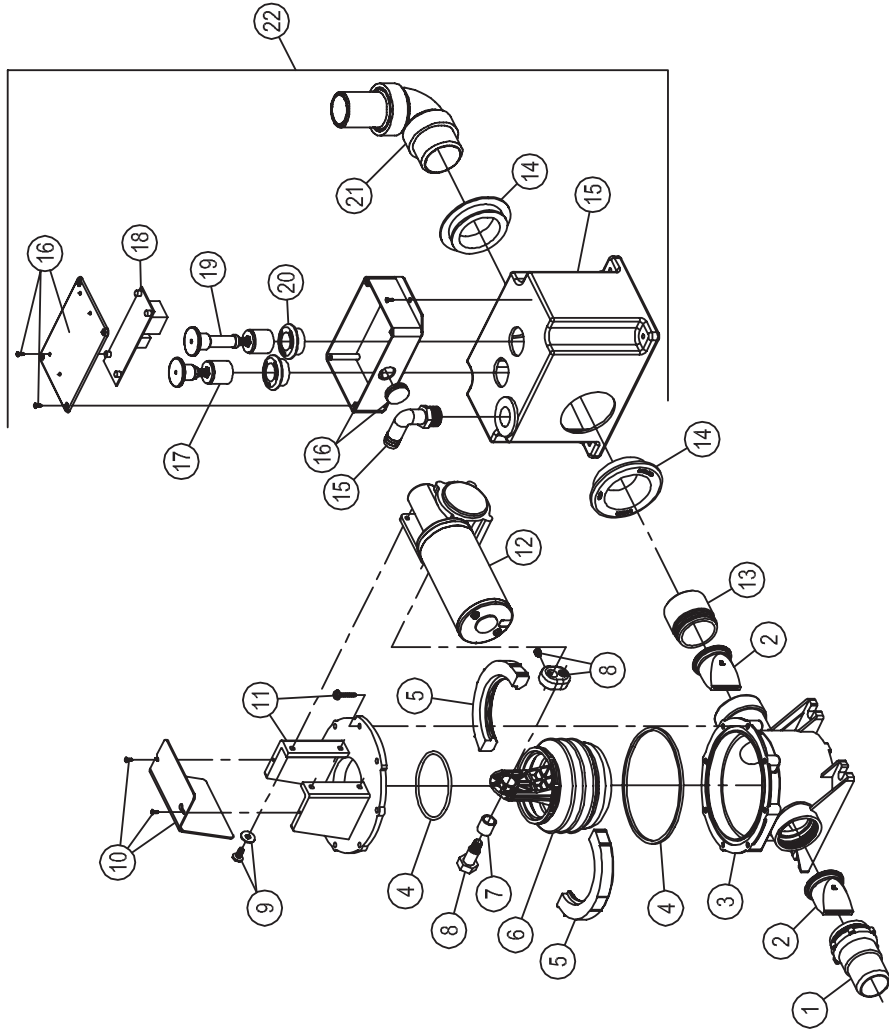


# PARTS LIST: TW-DISCHARGE PUMP



ITEM	PART NUMBER & DESCRIPTION
1	385311843 VALVE NIPPLE
2	385310076 1-1/2" DUCKBILL VALVE
3	385310151 O'RING REPLACEMENT KIT
4	385311226 BELLOWS CLAMP KIT
5	BELLOWS ASSEMBLY **INCLUDES ITEM 11.
6	385310644 ECCENTRIC KIT
7	385311065 12VDC MOTOR 385311066 24VDC MOTOR **INCLUDES ITEM 5.
8	385311422 PUMP COVER KIT
9	385311224 MOTOR MOUNTING HARDWARE
10	385311225 PUMP TOP CLOSURE KIT
11	385310242 BELLOWS BUSHING
12	385311858 PUMP BODY
N/S	PUMP ASSEMBLY LESS MOTOR **INCLUDES ITEMS 1-6; 8; 10-12

# PARTS LIST: SANISUMP



ITEM	PART NUMBER & DESCRIPTION
1	385311843 VALVE NIPPLE
2	385310076 1-1/2" DUCKBILL VALVE
3	385311858 PUMP BODY
4	385310151 O-RING REPLACEMENT KIT
5	385311226 BELLOWS CLAMP KIT
6	385230980 BELLOWS ASSEMBLY **INCLUDES ITEM 7.
7	385310242 BELLOWS BUSHING
8	385310644 ECCENTRIC KIT
9	385311224 MOTOR MOUNTING HARDWARE
10	385311422 PUMP COVER KIT
11	385311225 PUMP TOP CLOSURE KIT
12	385310756 12VDC MOTOR
13	385340757 24VDC MOTOR
14	385640335 PUMP INLET FITTING
15	385311111 1-1/2" SEALING GROMMET
16	385310583 SANISUMP TANK MACHINED
17	385310650 SANISUMP ELECTRICAL ENCLOSURE
18	313900101 TANK FULL LEVEL **INCLUDES ITEM 20.
19	385310659 CIRCUITBOARD ASSEMBLY 12VDC
20	385310721 CIRCUITBOARD ASSEMBLY 24VDC
21	385310582 EMPTY TANK LEVEL **INCLUDES ITEM 20.
22	385311164 1/2" SEALING GROMMET
23	385311101 INLET ELBOW KIT **INCLUDES ITEM 14.
24	385310584 SANISUMP ASSY LESS PUMP 12VDC
25	385310649 SANISUMP ASSY LESS PUMP 24VDC