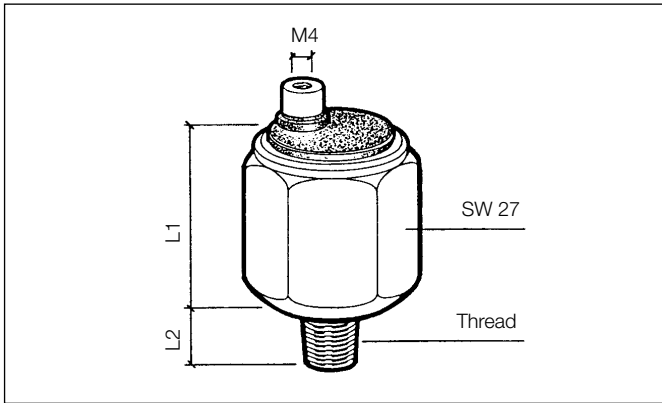
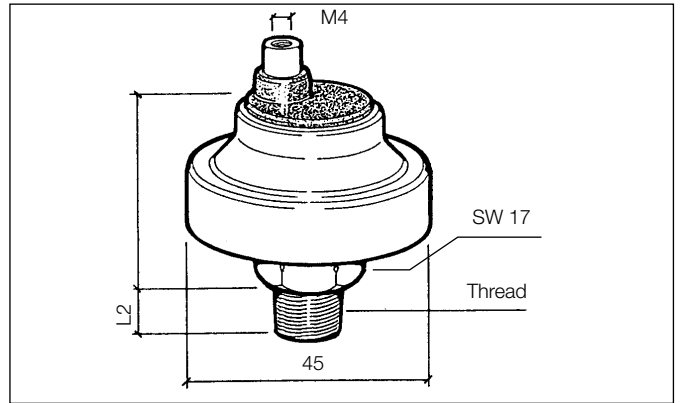


2.3.2 Pressure Switches, Insulated Return

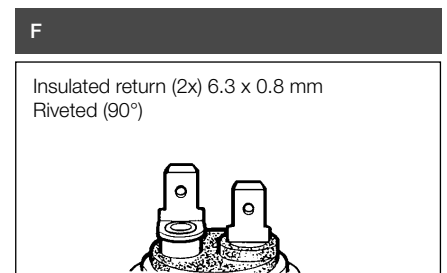
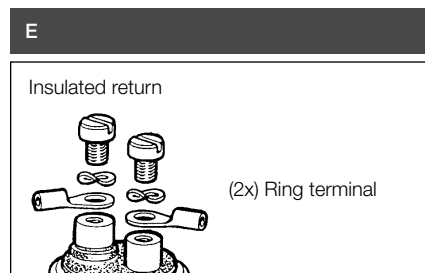
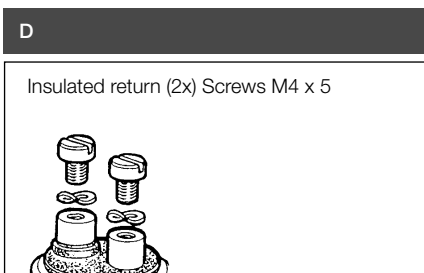
Design 1



Design 2



Type of connection



Part Number	Switch point		Thread	Dimension		Design / Type	Measuring range	bar
	[bar]			L1 [mm]	L2 [mm]		[bar]	
230-112-007-005C	0.3 ± 0.15	OS	M14 x 1.5 1	24.5	12	1F3	12	30
230-112-002-001C	0.5 ± 0.2	SS	1/8" - 27 NPTF	26	11	1D3	12	30
230-112-005-006C	0.5 ± 0.2	SF	M10 x 1 tapered, short	26	11	1F	12	30
230-112-005-005C	0.8 ± 0.2	SF	M10 x 1 tapered, short	26	11	1D2	12	30
230-112-005-001C	1.0 ± 0.2	SF	M10 x 1 tapered, short	26	11	1D2	12	30
230-112-005-012C	1.2 ± 0.2	SF	M10 x 1	24.5	10.5	1F	12	30
230-112-005-011C	1.5 ± 0.2	SF	M10 x 1 tapered, short	26	11	1E2	12	30
230-112-005-003C	1.8 ± 0.2	SF	M10 x 1 tapered, short	26	11	1E2	12	30
230-112-005-004C	3.0 ± 0.4	SF	M10 x 1 tapered, short	26	11	1D2	10	30
230-213-002-004C	4.5 ± 0.3	SF	M10 x 1 tapered, short	38	11	2D2	10	30
230-213-002-001C	7.0 ± 0.3	SF	1/8" - 27 NPTF	39	11	2E2	12	30
230-213-002-003C	10.5 ± 0.3	SF	1/8" - 27 Dryseal NPTF	39	11	2F	12	30
230-213-004-002C*	12.5 ± 0.4	SS	M14 x 1.5	39	12	1F	12	40

1 With sealing washer, captive

2 Contact chamber, vented

3 Contact chamber, unvented

* Supplied on request – limited availability

Part Number	Switch point		Thread	Dimension		Type	Measuring range	PSI
	[PSI]			L1 [mm]	L2 [mm]		[PSI]	
230-112-005-010C	7 ± 0.2	SF	1/8" - BSPF	26	10	1D1	12	30

1 Contact chamber, vented

Technical data

Rated voltage	6–24 V
Switching capacity	Max. 5 W non-inductive
Contacting mode	Slow-acting
Operating temperature	-25 °C to +120 °C
Switch point	SF = Contact closes with falling pressure SS = Contact closes with rising pressure OF = Contact opens with falling pressure OS = Contact opens with rising pressure