



Model 60010-2 Series 255 SL

REMOTE CONTROL SEARCHLIGHT

FEATURES

- Two High Output Sealed Beam Lamps
- Sleek Design
- Rugged Construction
- Full 360° Rotation
- Remote Control and 25 ft. Cable Included
- Tough Polyurethane Finish

SPECIFICATIONS

Voltage: 12 Vdc, 24 Vdc
 Amps: 8(12 V), 4(24 V)
 Elevation Angle (degrees): Up: 30°, Down: 30°
 Housing Material: Thermoset Plastic
 Candle Power: 200,000



Model 60010-2 Series

APPLICATION

Ideal for larger boats...locate buoys, moorings, channel markers, etc. Ideal for larger motorhomes and bus conversions...pinpoint road signs, campsites, or use as backup light.

| Model Number | Voltage | Amps | Bulb Type | Weight lb (kg) | Standard Carton |
|--------------|---------|------|-----------|----------------|-----------------|
| 60010-2012 | 12 Vdc | 8 | SPOT/SPOT | 11 (5) | 1 |
| 60010-2024 | 24 Vdc | 4 | SPOT/SPOT | 11 (5) | 1 |

INSTALLATION INSTRUCTIONS

LIGHT MOUNTING

Select a location for the light which will allow clear beam projection forward and as far aft as possible. Searchlight base should be mounted on a level, flat surface. A mounting block between the searchlight base and mounting surface can be used. The block should be contoured to fit the deck so the searchlight base is level. See mounting template attached for plug and cable required clearance.

1. Mount light with front of base towards the direction of most intended use (front of circular base is marked "front") with gasket under light base.
2. Feed wire through hole and secure light in place. NOTE: cable connectors are provided for easy wiring connections.

Mounting hardware is provided:

- 4 1/4-20 x 2" (6.5mm x 50mm) bolts
- 4 lockwashers
- 4 flatwashers

CONTROL MOUNTING

Choose a location for the main control near the helm which will allow convenient operation. Control may be mounted on vertical, horizontal, or inclined panel.

1. Route powerleads (supplied by customer) from the voltage source to control. NOTE: Wiring must be 16 gauge with a maximum run of 15 feet.
2. Crimp terminals (supplied) onto the power leads, NOTE: larger terminal is crimped to positive lead, smaller terminal is crimped to negative lead.
3. Insert wiring cable thru back of hole and plug into control.
4. Use bedding compound or sealant to water-proof control.
5. Secure control with self-tapping screws provided.

OPTIONAL SECONDARY CONTROL MOUNTING

If an additional control station is desired use control kit numbers 43670-0004 (12 volt) or 18753-0335 (24 volt). Mount secondary control in same manner as main control. Mount station selector panel near the main control (flybridge or lower).

1. Cut a 2" x 1-3/8" (51mm x 35mm) opening for station selector panel within a 1 foot radius of the control.
2. Route secondary control cable from station selector panel to secondary control location (cable acquired separately - see cable listing).
3. Insert station selector panel thru mounting hole and attach connectors to mating connectors from control and search-light. The connector marked "flybridge" to go to flybridge control and the connector marked "lower" to lower control. The connector to the nearest control can be plugged directly into the control. See diagram.
4. Use bedding compound or sealant to waterproof station selector panel mounting.
5. Secure panel with self-tapping screws provided.

CIRCUIT PROTECTION

Two (2) automotive blade type fuses are included in the control. One (10 amp) protects the bulb circuit, the other (3 amp) protects the motor circuit. In the event that it should be necessary to replace a fuse simply pull off the protective cover and slide the fuse out.



TROUBLESHOOTING

All lights are thoroughly inspected before shipping and are warranted to operate within specifications. If light does not operate correctly, **CHECK FUSES, AND WIRE HARNESS CONNECTIONS BEFORE PROCEEDING WITH THIS TROUBLESHOOTING.**

PROBLEM

Control lever works in reverse in all directions.

Light moves in only three of the possible four directions.

Dim light (low voltage)

Bulb operates - no light movement
or

Light moves - bulb does not operate.

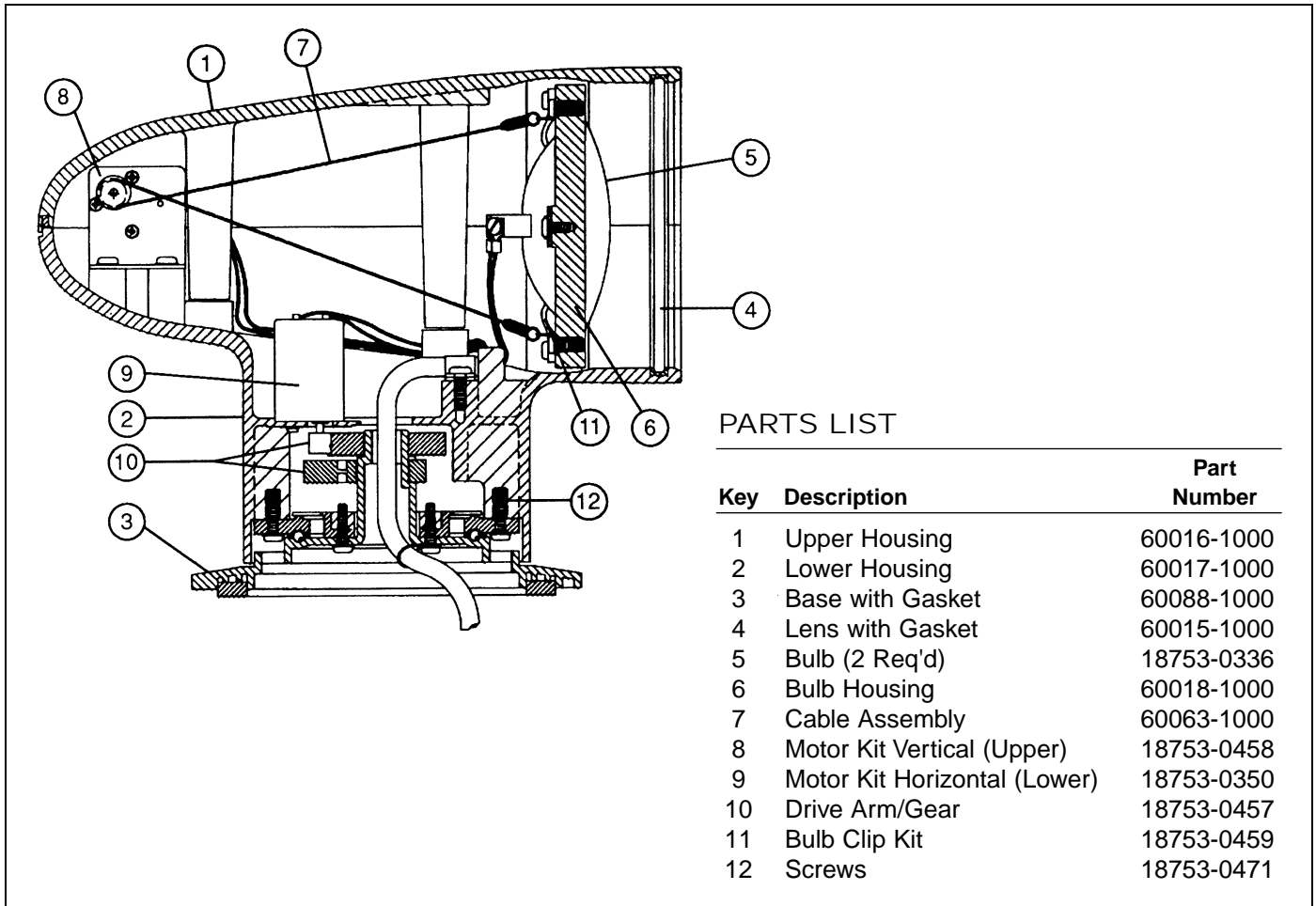
SOLUTION

See wiring instructions.

- A. Check connectors.
- B. Replace control.
- C. If problem persists, return light & control for service.

- A. Check voltage at power source.
- B. Refer to cable listing for proper wire gage and length.

- A. Check fuses on front of control.
- B. Check bulb.



PARTS LIST

| Key | Description | Part Number |
|-----|------------------------------|-------------|
| 1 | Upper Housing | 60016-1000 |
| 2 | Lower Housing | 60017-1000 |
| 3 | Base with Gasket | 60088-1000 |
| 4 | Lens with Gasket | 60015-1000 |
| 5 | Bulb (2 Req'd) | 18753-0336 |
| 6 | Bulb Housing | 60018-1000 |
| 7 | Cable Assembly | 60063-1000 |
| 8 | Motor Kit Vertical (Upper) | 18753-0458 |
| 9 | Motor Kit Horizontal (Lower) | 18753-0350 |
| 10 | Drive Arm/Gear | 18753-0457 |
| 11 | Bulb Clip Kit | 18753-0459 |
| 12 | Screws | 18753-0471 |

DUAL STATION KIT

| Model | | Kit |
|------------|-----|------------|
| 60010-0012 | 12V | 43670-0004 |
| 60010-0024 | 24V | 18753-0335 |

BULB REPLACEMENT REFERENCE

| Model No. | | Bulb |
|------------|-----|------------|
| 60010-0012 | 12V | 18753-0336 |
| 60010-0024 | 24V | 18753-0336 |

*NOTE: A 25' wiring cable is provided with each light. Additional lengths may be ordered. Dual station kits require additional cables (see wiring diagram). Order cable length required from table below.

ACCESSORY CABLE LISTING

| Part Number | Description |
|-------------|--------------------|
| 43990-0013 | 10' Cable Assembly |
| 43990-0014 | 15' Cable Assembly |
| 43990-0015 | 25' Cable Assembly |
| 43990-0016 | 35' Cable Assembly |
| 67294-0000 | 50' Bulk Cable |

NOTE: Secure cable with nylon clips or equivalent. Protect installation at points of stress, and leave adequate slack where cable must be flexible.

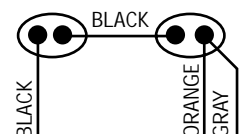
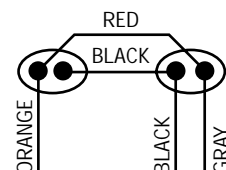
BULB REPLACEMENT

1. Disconnect wires, noting location on bulb.
2. Loosen the screws on the bulb retaining clips.
3. Remove bulb from bulb housing.
4. Install new bulb making certain that the boss on the bulb edge is in the H shaped locating clip in the center of the bulb housing.
5. Tighten screws on the bulb clips.
6. Reconnect wires in previous positions.

WIRING DIAGRAM

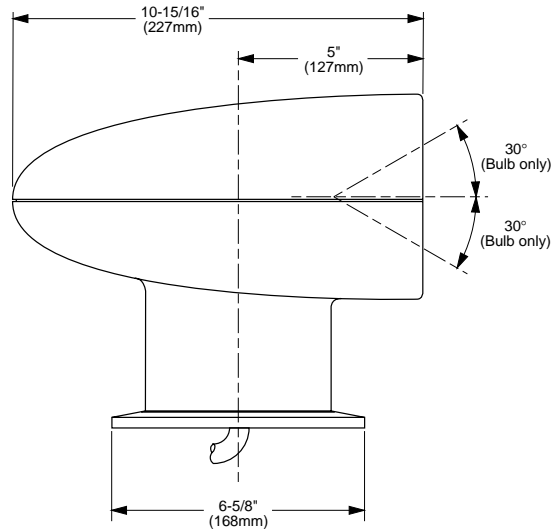
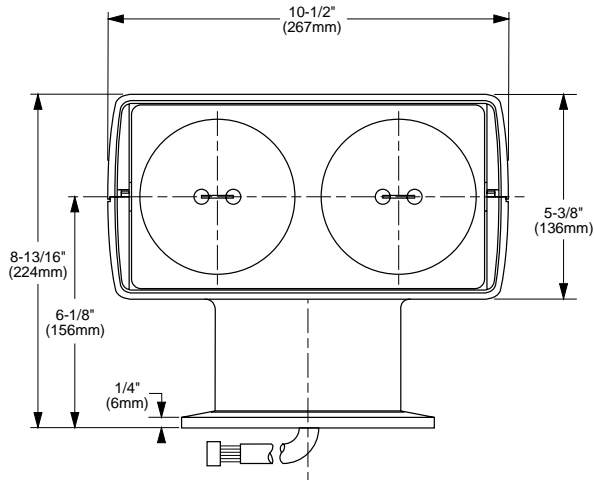
12 VOLT SPOT/SPOT

24 VOLT SPOT/SPOT

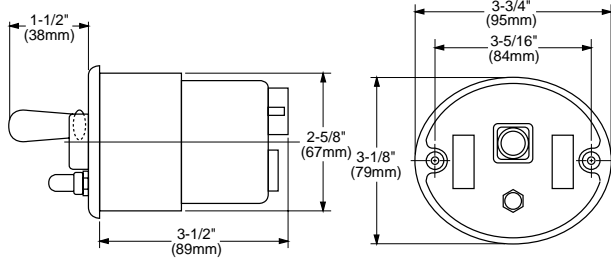


DIMENSIONAL DRAWING

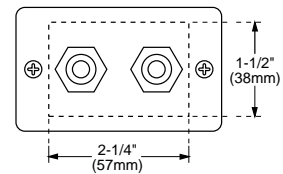
Inches (Millimeters)



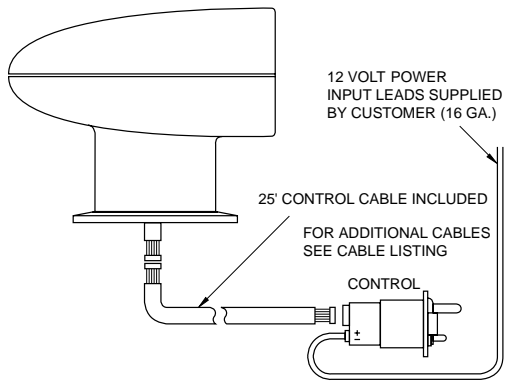
REMOTE CONTROL MOUNTING DIMENSIONS



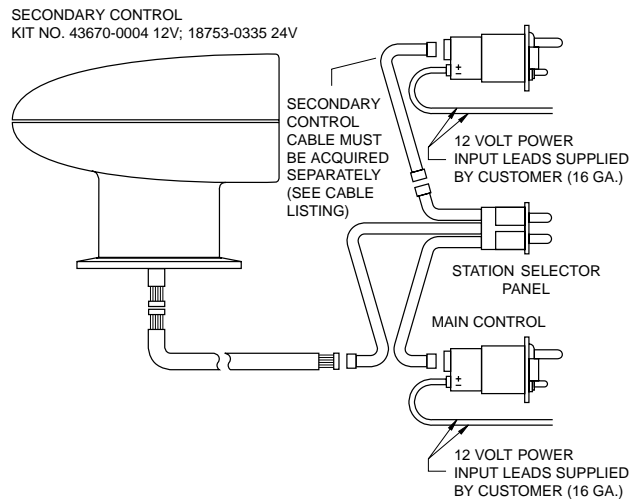
STATION SELECTOR PANEL DRAWING



WIRING DIAGRAM SINGLE CONTROL



WIRING DIAGRAM, OPTIONAL SECONDARY REMOTE CONTROL



Jabsco



U.S.A.
Jabsco
1485 Dale Way, P.O. Box 2158
Costa Mesa, CA 92628-2158
Tel: 714.545.8251
Fax: 714.957.0609

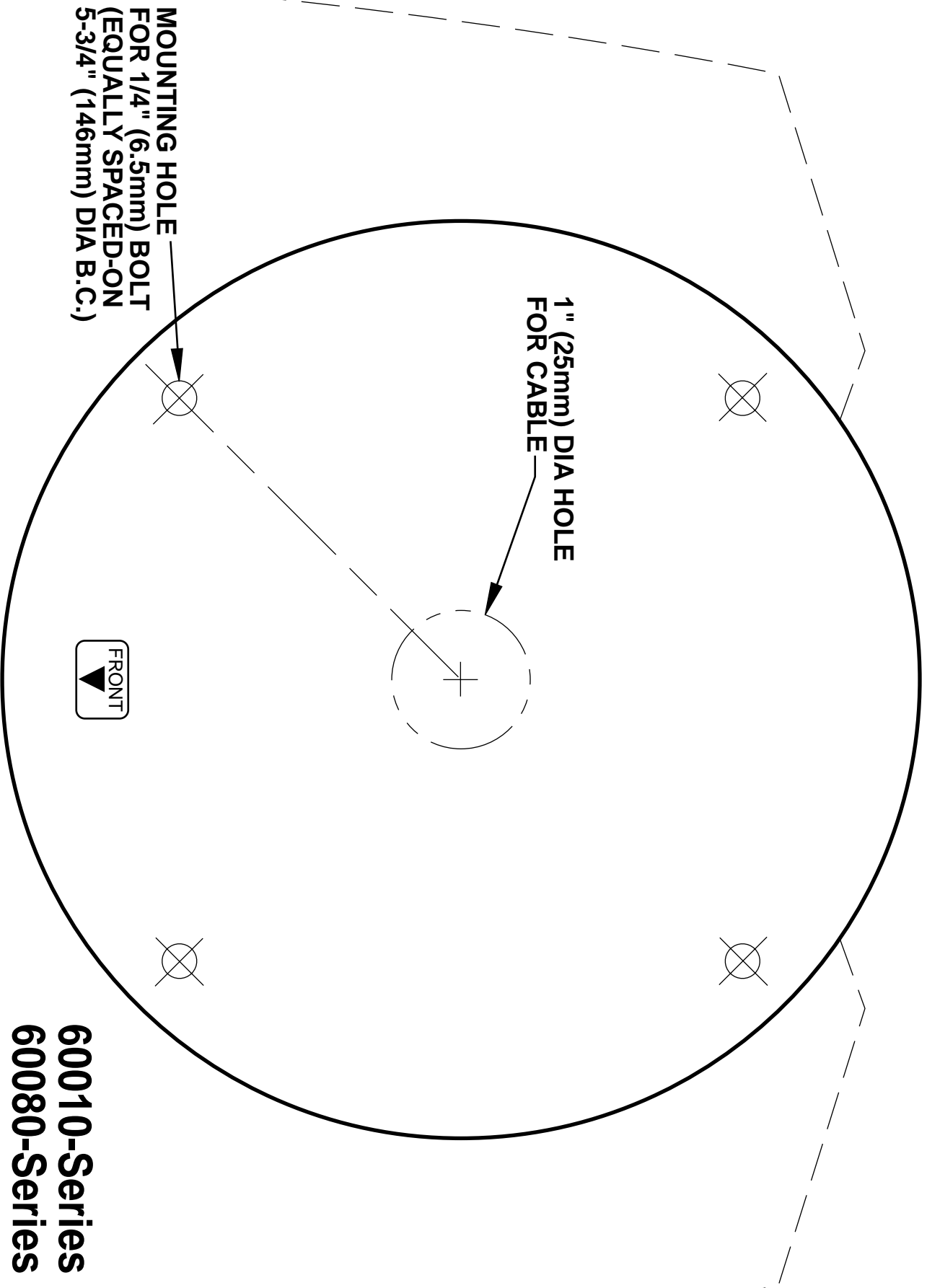
UNITED KINGDOM
Jabsco
Bingley Road, Hoddesdon
Hertfordshire EN11 0BU
Tel: +44 (0) 1992 450145
Fax: +44 (0) 1992 467132

CANADA
Fluid Products Canada
55 Royal Road
Guelph, Ontario N1H 1T1
Tel: (519) 821.1900
Fax: (519) 821.2569

JAPAN
NHK Jabsco Company Ltd.
3-21-10, Shin-Yokohama
Kohoku-Ku, Yokohama, 222
Tel: 045.475.8906
Fax: 045.475.8908

GERMANY
Jabsco GmbH
Oststrasse 28
22840 Norderstedt
Tel: +49-40-53 43 73 -0
Fax: +49-40-53 53 73 -11

THE PRODUCTS DESCRIBED HEREIN ARE SUBJECT TO THE JABSCO ONE YEAR LIMITED WARRANTY, WHICH IS AVAILABLE FOR YOUR INSPECTION UPON REQUEST.



**MOUNTING HOLE
FOR 1/4" (6.5mm) BOLT
(EQUALLY SPACED-ON
5-3/4" (146mm) DIA B.C.)**

**1" (25mm) DIA HOLE
FOR CABLE**

FRONT

**60010-Series
60080-Series
MOUNTING TEMPLATE**

43000-0525 and 43000-0568 Rev. 1/95