

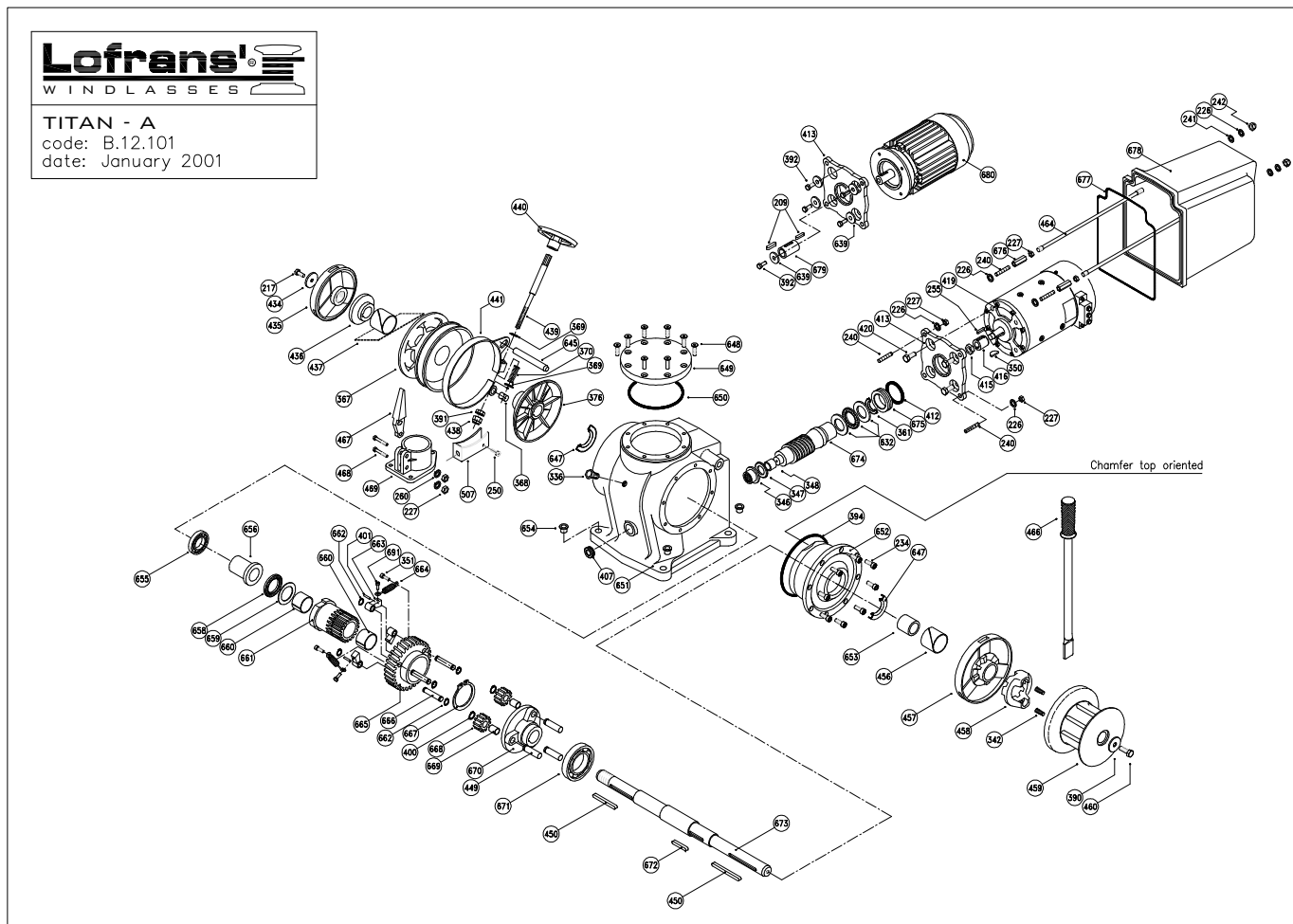
9 LISTA PARTI

9 PART LIST

9 LISTE DE PIECES

9 LISTA PARTI

9 LISTA PARTI



9 LISTA PARTI

9 PART LIST

9 LISTE DE PIECES

9 LISTA PARTI

9 LISTA PARTI

TITAN - A

| Item | Description                                  | Kit   | Qty | Item    | Description                    | Kit   | Qty |
|------|--|-------|-----|---------|--------------------------------|-------|-----|
| 209  | Key - 6x6x30                                 | Kit C | 2   | 659     | Thrust ring - CP 4060          |       | 1   |
| 217  | Hex hd screw M8x20                           | Kit B | 1   | 660     | Bush                           |       | 2   |
| 226  | Washer for screw M8                          | Kit B | 8   | 661     | Ratchet Wheel                  |       | 1   |
| 234  | Nut - M8                                     | Kit B | 8   | 662     | Circclip - 12 Din 471          | Kit D | 6   |
| 237  | Hd cap screw - M8x20                         | Kit B | 8   | 663     | Pawl                           |       | 3   |
| 240  | Stud - M8x45                                 | Kit B | 6   | 664     | Spring                         |       | 3   |
| 241  | Nylon washer M8                              | Kit B | 2   | 665     | Wormwheel                      |       | 1   |
| 242a | Cap nut M8                                   | Kit B | 2   | 666     | Pivot                          |       | 3   |
| 250  | Hd cap screw - M5x8                          | Kit B | 1   | 667     | Circclip - 68 Din 471          | Kit D | 1   |
| 255  | Key - 6x6x25                                 | Kit C | 1   | 668     | Gear                           |       | 3   |
| 260  | Spring washer for screw M8                   | Kit B | 2   | 669     | Bush                           |       | 3   |
| 336  | Oil plug 3/8"                                |       | 1   | 670     | Gear flange                    |       | 1   |
| 342  | Spring                                       |       | 2   | 671     | Bearing - 6011                 |       | 1   |
| 346  | Combined bearing - Rax 720                   |       | 1   | 672     | Key - 8x7x50                   | Kit C | 2   |
| 347  | Thrust ring - CP 32035                       |       | 1   | 673     | Main shaft                     |       | 1   |
| 348  | Ring IM 1520164                              |       | 1   | 674     | Worm                           |       | 1   |
| 351  | Hd cap screw - M6x20                         | Kit B | 3   | 675     | Spacer                         |       | 1   |
| 361  | Seal - 40x5xDx5                              | Kit A | 1   | 676     | Spacer                         |       | 2   |
| 367a | Gipsy chain 8 Iso                            |       | 1   | 677     | Gasket                         |       | 1   |
| 367b | Gipsy chain 10 Iso - 3/8 G40                 |       | 1   | 678a    | Motor cover                    |       | 1   |
| 367c | Gipsy chain 3/8 Din766 - BB5 - 10 Din766     |       | 1   | 678b    | White motor cover              |       | 1   |
| 367d | Gipsy chain 12 Iso - 13 Din766 - 1/20 Din766 |       | 1   | 679     | Coupling                       |       | 1   |
| 367e | Gipsy chain 1/2 G40                          |       | 1   | 680     | A.C. Electric motor            |       | 1   |
| 367f | Gipsy chain 1/2 BBB                          |       | 1   | 691     | Hd cap screw - M5x12           | Kit B | 3   |
| 367g | Gipsy chain 14 Iso                           |       | 1   | 839a    | Chromed bronze drum-upper part |       | 1   |
| 367h | Gipsy chain 10 Iso                           |       | 1   | 840     | Chromed bronze drum-lower part |       | 1   |
| 367i | Gipsy chain 3/8" G40                         |       | 1   | 1004    | Washer                         |       | 1   |
| 368  | Pivot  |       | 1   |         |                                |       |     |
| 369  | Washer for screw M10                         | Kit B | 2   |         |                                |       |     |
| 370  | Spring                                       |       | 1   | KA12101 | Kit A - Seals                  |       | 1   |
| 376  | Clutch cone - inner                          |       | 1   | KB12101 | Kit B - Screw&Nuts             |       | 1   |
| 391  | Nut - M10                                    | Kit B | 1   | KC12101 | Kit C - Keys                   |       | 1   |
| 392  | Hex hd screw M8x25                           | Kit B | 5   | KD12101 | Kit D - Circlips               |       | 1   |
| 394  | O Ring asal - 4625                           | Kit A | 1   |         |                                |       |     |
| 400  | Circclip - 15 Din 471                        | Kit D | 3   |         |                                |       |     |
| 401  | Pivot  |       | 3   |         |                                |       |     |
| 407  | Sightglass                                   |       | 1   |         |                                |       |     |
| 412  | O Ring seal - 153                            | Kit A | 1   |         |                                |       |     |
| 413  | Coupling flange                              |       | 1   |         |                                |       |     |
| 419  | Electric motor 2000W 24V                     |       | 1   |         |                                |       |     |
| 434  | Washer                                       | Kit B | 1   |         |                                |       |     |
| 435  | Wingnut                                      |       | 1   |         |                                |       |     |
| 436  | Clutch cone - outer                          |       | 1   |         |                                |       |     |
| 437a | Nylon band for chain 68                      |       | 1   |         |                                |       |     |
| 437c | Nylon band for chain 10                      |       | 1   |         |                                |       |     |
| 438  | Safety nut M10                               | Kit B | 1   |         |                                |       |     |
| 439  | Brake pivot                                  |       | 1   |         |                                |       |     |
| 440  | Hand-wheel                                   |       | 1   |         |                                |       |     |
| 441  | Band brake                                   |       | 1   |         |                                |       |     |
| 449  | Pivot  |       | 3   |         |                                |       |     |
| 450  | Key - 8x7x80                                 | Kit C | 2   |         |                                |       |     |
| 456  | Nylon bush                                   |       | 1   |         |                                |       |     |
| 457  | Emergency wheel                              |       | 1   |         |                                |       |     |
| 458  | Dog clutch                                   |       | 1   |         |                                |       |     |
| 460  | Hex hd screw M10x20                          | Kit B | 1   |         |                                |       |     |
| 464  | Stud - M8x285                                |       | 2   |         |                                |       |     |
| 466  | Handle                                       |       | 1   |         |                                |       |     |
| 467  | Stripper                                     |       | 1   |         |                                |       |     |
| 468  | Hex hd screw M8x40                           | Kit B | 2   |         |                                |       |     |
| 469  | Chain pipe                                   |       | 1   |         |                                |       |     |
| 507a | Brake cover                                  |       | 1   |         |                                |       |     |
| 632b | Thrust bearing - 51108                       |       | 1   |         |                                |       |     |
| 639  | Washer for screw M8                          | Kit B | 5   |         |                                |       |     |
| 645  | Brake pivot                                  |       | 1   |         |                                |       |     |
| 647  | Seal - 35x65x10                              | Kit A | 2   |         |                                |       |     |
| 648  | Hd cap screw - M8x20                         | Kit B | 8   |         |                                |       |     |
| 649  | Cover  |       | 1   |         |                                |       |     |
| 650  | Gasket                                       |       | 1   |         |                                |       |     |
| 651  | Body   |       | 1   |         |                                |       |     |
| 652  | Rack   |       | 1   |         |                                |       |     |
| 653  | Spacer                                       |       | 1   |         |                                |       |     |
| 654  | Nylon bush                                   |       | 4   |         |                                |       |     |
| 655  | Bearing - 6207                               |       | 1   |         |                                |       |     |
| 657  | Bevel gear                                   |       | 1   |         |                                |       |     |
| 658  | Thrust bearing - AX 4060                     |       | 1   |         |                                |       |     |

B.12.101 - Rev. A Date: 01-2005