

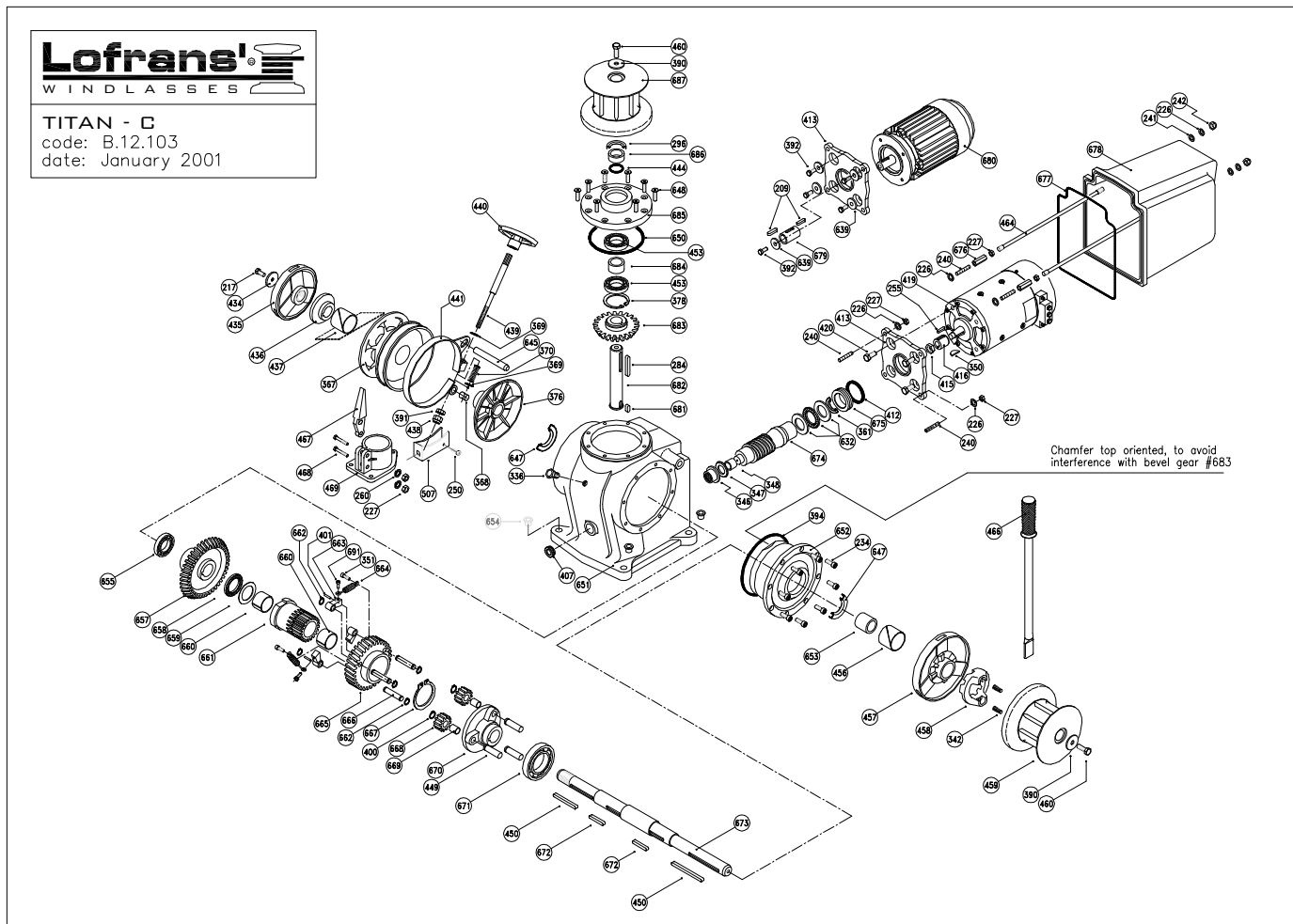
9 LISTA PARTI

9 PART LIST

9 LISTE DE PIECES

9 LISTA PARTI

9 LISTA PARTI



9 LISTA PARTI

9 PART LIST

9 LISTE DE PIECES

9 LISTA PARTI

9 LISTA PARTI

TITAN - C

Item	Description	Kit	Qty	Item	Description	Kit	Qty
209	Key - 6x6x30	Kit C	2	654	Nylon bush		4
217	Hex hd screw M8x20	Kit B	1	655	Bearing - 6207		1
228	Washer for screw M8	Kit B	8	657	Bevel gear		1
227	Nut - M8	Kit B	8	658	Thrust bearing - AX 4060		1
234	Hd cap screw - M8x20	Kit B	8	659	Thrust ring - CP 4060		1
240	Stud - M8x45	Kit B	6	660	Bush		2
241	Nylon washer M8	Kit B	2	661	Ratchet wheel		1
242a	Cap nut M8	Kit B	2	662	Circlip - T2 Din 471	Kit D	6
250	Hd cap screw - M5x8	Kit B	1	663	Pawl		3
255	Key - 6x6x25	Kit C	1	664	Spring		3
260	Spring washer for screw M8	Kit B	2	665	Wormwheel		1
284	Key - 8x7x60	Kit C	1	666	Pivot		3
296	Seal - 40x56x8	Kit A	1	667	Circlip - 68 Din 471	Kit D	1
336	Oil plug 3/8"		1	668	Gear		3
342	Spring		2	669	Bush		3
346	Combined bearing - Rax 720		1	670	Gear flange		1
347	Thrust ring - CP 32035		1	671	Bearing - 6011		1
348	Ring IM 1520164		1	672	Key - 8x7x50	Kit C	2
351	Hd cap screw - M6x20	Kit B	3	673	Main shaft		1
361	Seal - 40x50x5	Kit A	1	674	Worm		1
367a	Gipsy chain 8 Iso		1	675	Spacer		1
367b	Gipsy chain 10 Iso - 3/8 G40		1	676	Spacer		2
367c	Gipsy chain 3/8 Din766 - BBB - 10 Din766		1	677	Gasket		1
367d	Gipsy chain 12 Iso - 13 Din766 - 172Din766		1	678a	Motor cover		1
367e	Gipsy chain 1/2 G40		1	678b	White motor cover		1
367f	Gipsy chain 1/2 BBB		1	679	Coupling		1
367g	Gipsy chain 14 Iso		1	680	A.C. Electric motor		1
367h	Gipsy chain 10 Iso		1	681	Key - 8x7x20	Kit C	1
367i	Gipsy chain 3/8" G40		1	682	Shaft		1
368	Pivot		1	683	Bevel gear		1
369	Washer for screw M10	Kit B	2	684	Spacer		1
370	Spring		1	685	Cover		1
376	Clutch cone - inner		1	686	Spacer		1
378	Circlip - 62 Din 472	Kit D	1	687	Chromed bronze drum-lower part		1
391	Nut - M10	Kit B	1	691	Hd cap screw - M5x12	Kit B	3
392	Hex hd screw M8x25	Kit B	5	730	Conic hd screw M10x30		1
394	O Ring seal - 4625	Kit A	1	839a	Chromed bronze drum-upper part		2
400	Circlip - 15 Din 471	Kit D	3	840	Chromed bronze drum-lower part		1
401	Pivot		3	1004	Washer		1
407	Sightglass		1	1040	Washer		1
412	O Ring seal - 153	Kit A	1				
413	Coupling flange		1	K412101	Kit A - Seals		1
419	Electric motor 2000W 24V		1	K512101	Kit B - Screw&Nuts		1
434	Washer	Kit B	1	KC12101	Kit C - Keys		1
435	Wingnut		1	KD12101	Kit D - Circlips		1
436	Clutch cone - outer		1				
437a	Nylon band for chainØ8		1				
437c	Nylon band for chainØ10		1				
439	Safety nut M10	Kit B	1				
440	Brake pivot		1				
441	Hand-wheel		1				
441	Band brake		1				
444	O Ring seal - 4112	Kit A	1				
449	Pivot		3				
450	Key - 8x7x80	Kit C	2				
453	Bearing - 6206		2				
456	Nylon bush		1				
457	Emergency wheel		1				
458	Dog clutch		1				
460	Hex hd screw M10x20	Kit B	1				
464	Stud - M8x285		2				
466	Handle		1				
467	Stripper		1				
468	Hex hd screw M8x40	Kit B	2				
469	Chain pipe		1				
507a	Brake cover		1				
632b	Thrust bearing - 51108		1				
639	Washer for screw M8	Kit B	5				
645	Brake pivot		1				
647	Seal - 35x65x10	Kit A	2				
648	Hd cap screw - M8x20	Kit B	8				
650	Gasket		1				
651	Body		1				
652	Rack		1				
653	Spacer		1				

B.12.103 - Rev. A Date: 01-2005