

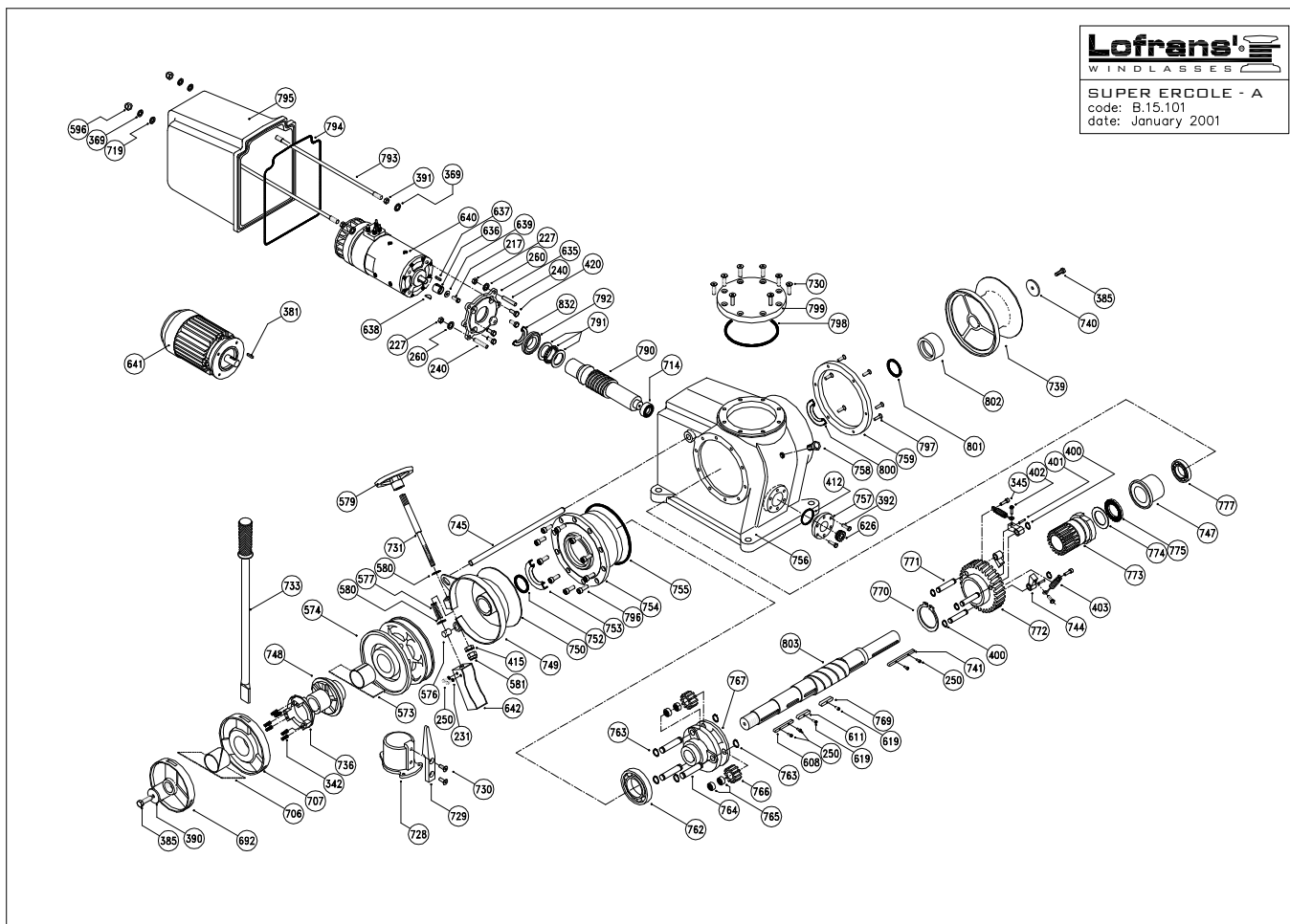
9 LISTA PARTI

9 PART LIST

9 LISTE DE PIECES

9 LISTA PARTI

9 LISTA PARTI



9 LISTA PARTI

9 PART LIST

9 LISTE DE PIECES

9 LISTA PARTI

9 LISTA PARTI

SUPER ERCOLE - A

Item	Description	Kit	Qty	Item	Description	Kit	Qty
226	Washer for screw M8	Kit B	4	753	Seal - 85x110x12	Kit A	1
227	Nut - M8	Kit B	4	754	Rack		1
231	Washer for screw M5	Kit B	2	755	Gasket		1
250	Hd cap screw - M5x8	Kit B	6	756	Body		1
260	Spring washer for screw M8	Kit B	4	757	Sightglass flange		1
342	Spring	Kit B	6	758	Oil plug 3/4"		1
351	Hd cap screw - M6x20	Kit B	3	759	Ring		1
369	Washer for screw M10	Kit B	4	762	Bearing - 6017		1
381	Key - 8x7x40	Kit C	1	763	Circlip - 20 Din 471	Kit D	6
385	Hex hd screw - M10x30	Kit B	1	764	Pivot		3
391	Nut - M10	Kit B	2	765	Bush		6
392	Hex hd screw - M8x25	Kit B	6	766	Gear		3
400	Circlip - 15 Din 471	Kit D	3	767	Gear flange		1
401	Pivot	Kit B	3	769	Key - 18x11x70	Kit C	1
403	Hex hd screw - M6x16	Kit B	3	770	Circlip - 95 Din 471	Kit D	1
412	Spring	Kit B	3	771	Pivot		3
414	O Ring seal - 153	Kit A	1	772	Wormwheel		1
415	Nut - M12	Kit B	1	773	Ratchet wheel		1
460	Hex hd screw - M10x20	Kit B	1	774	Thrust ring - CP 7085		1
569	Chromed bronze drum	Kit B	1	775	Thrust bearing - AX 7085		1
573a	Nylon band		1	776	Bevel gear		1
573b	Nylon bush		1	777	Bearing - 6212		1
574a	Gipsy chain 10 Iso		1	790	Worm		1
574b	Gipsy chain 12 Iso - 13 Din 766		1	791	Thrust bearing - 51109		1
574c	Gipsy chain 1/2" HT		1	792	Spacer		1
574d	Gipsy chain 1/4 Iso		1	793	Stud - M10x538		2
574e	Gipsy chain 1/6 Iso		1	794	Gasket		1
574f	Gipsy chain 1/8 Iso		1	795	Motor cover		1
574g	Gipsy chain 1/2" TR		1	796	Hd cap screw - M8x20	Kit B	10
574h	Gipsy chain 1/4 TR		1	797	Hd cap screw - M6x16	Kit B	6
574i	Gipsy chain 1/3 Inlmet		1	798	Gasket		1
574j	Gipsy chain 13 Din 764		1	799	Cover		1
574m	Gipsy chain 1/6 TR		1	800	Seal - 72x105x13	Kit A	1
574n	Gipsy chain 1/8 Iso		1	801	O Ring seal - 150	Kit A	1
574o	Gipsy chain 1/8 TR		1	802	Spacer		1
574p	Gipsy chain 20 Iso		1	803	Main shaft		1
574q	Gipsy chain 20 Iso		1	832	Seal - 45x72x10	Kit A	1
574r	Gipsy chain 20 TR		1	1004	Washer		2
574s	Gipsy chain 18 Din 766		1	1173	Circlip - 110 Din 472	Kit D	1
576	Pivot		1				
577	Spring		1				
579	Hand-wheel		1	K413101	Kit A - Seals		1
580	Washer for screw M12	Kit B	2	K413101	Kit B - Screws&Nuts		1
581	Safety nut - M12	Kit B	1	KC13101	Kit C - Keys		1
596	Cap nut - M10	Kit B	2	KD13101	Kit D - Circlips		1
608	Key - 12x8x30	Kit C	1				
611	Key - 16x10x60	Kit C	2				
619	Hd cap screw - M6x10	Kit B	3				
626	Sightglass		1				
637	Key - 8x7x30	Kit C	1				
640	Electric motor 3500W 24V		1				
641a	Electric motor A.C. ph 1 V 220 Kw 5 Hz 50/60		1				
641b	Electric motor A.C. ph 3 V 380 Kw 4 Hz 50/60		1				
642	Brake cover		1				
682	Wingnut		1				
706	Nylon band		1				
707	Emergency wheel		1				
714	Bearing - 6205		1				
719	Nylon washer for screw M10	Kit B	2				
728	Chain pipe		1				
729	Stripper		1				
730	Conic hd screw - M10x30	Kit B	10				
731	Brake pivot		1				
733	Handle		1				
736	Dog clutch		1				
740	Washer	Kit B	1				
741	Key - 12x8x150	Kit C	1				
744	Pawl		3				
745	Brake pivot		1				
746	Stud - M6x55		4				
748	Clutch cone - outer		1				
749	Band brake		1				
750	Clutch cone - inner		1				
752	O Ring seal - 6212	Kit A	1				

B.15.101 - Rev. C Date: 11-2007