

SIDE- POWER

Thruster systems

SP 285 TC 48V

**Keep this
manual onboard !**



IPC upgrade kit (for 20 1273wiring loom)

Upgrades your existing Sidepower thruster (1998 or newer) to include the latest safety functions.



SLEIPNER MOTOR AS

P.O. Box 519

N-1612 Fredrikstad

Norway

Tel: +47 69 30 00 60

Fax: +47 69 30 00 70

www.side-power.com

sidepower@sleipner.no



© Sleipner Motor AS 2005

Made in Norway

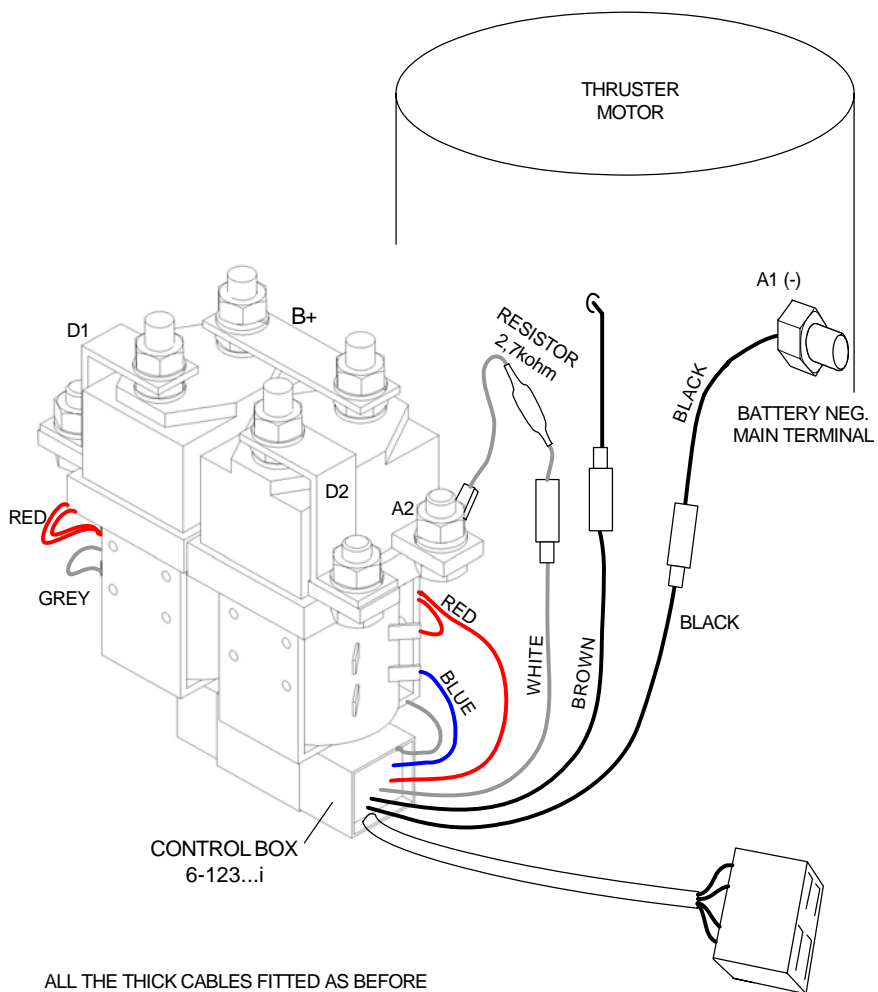
Kit consists of

- 1 pcs. Control box (6 123...i)**
- 1 pcs. Wiring loom (20 1273) with resistor**
- 1 pcs. Negative terminal / black cable (R10)**

Upgrade procedure (refer to drawing on next page)

- 1** Disconnect thruster batteries by disconnecting the mainswitch(es).
- 2** Disconnect the 4 way connector on the existing wiring loom (internal thruster wiring loom).
- 3** Disconnect the two cable connections on both sides of the solenoid (2 x red, 1 x blue and 1 x grey). Don't remove the three wires from serial parallel switch box.
- 4** Disconnect the 1 way connector on the thin wire coming out of the electric motor (overtemperature function).
- 5** Remove existing wiring loom and control box.
- 6** Install the (R10) negative cable (included in kit) on the A1 terminal (battery negative) torque = 15 Nm.
- 7** Install the new control box (6 123...i) with the new wiring loom (20 1273) on the existing holding bracket.
- 8** Connect blue, grey and red wires to the solenoid in accordance to the drawing on the next page. Torque for the nut on B+ = 15 Nm.
- 9** Loosen A2 cable and install new white cable with resistor and circular cable shoe, between the spring washer and A2 cable. Torque = 15 Nm.
- 10** Connect the black wire with the 1 way contact in the wiring loom, to the 1 way contact coming from A1 terminal.
- 11** Connect the brown wire with the 1 way contact in the wiring loom, to the 1 way contact coming from the electric motor (overtemperature function).
- 12** **Check that the connections are in accordance to the drawing on the next page.**

New internal wiring

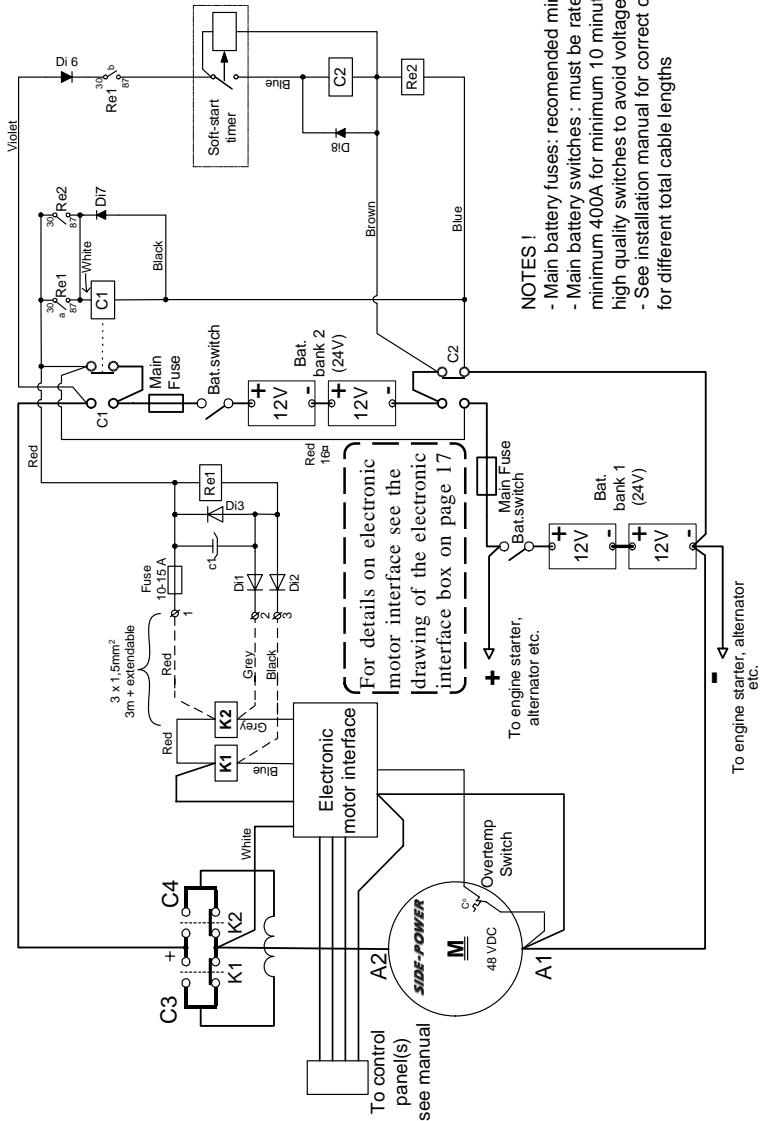


ALL THE THICK CABLES FITTED AS BEFORE

DISTURBED SOLENOID NUTS AND BOLTS (A2 AND +) MUST BE TORQUE LOADED TO 20 Nm.

4-WAY CONNECTOR TO
PANEL OR SIDEPOWER
AUTOMATIC MAIN SWITCH

Wiring diagram with IPC control box



- NOTES !**
- Main battery fuses: recommended min. 400A
 - Main battery switches : must be rated at minimum 400A for minimum 10 minutes. Use high quality switches to avoid voltage drop.
 - See installation manual for correct cable sizes for different total cable lengths



SLEIPNER MOTOR AS

P.O. Box 519
N-1612 Fredrikstad
Norway

Tel: +47 69 30 00 60
Fax: +47 69 30 00 70

www.side-power.com
sidepower@sleipner.no



© Sleipner Motor AS 2005

Made in Norway