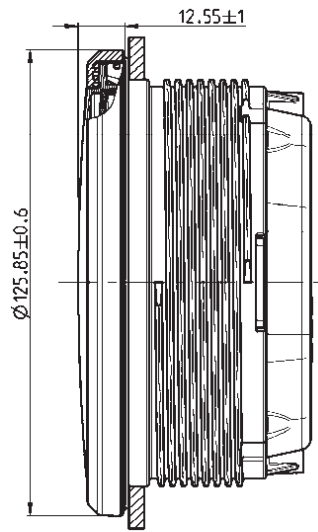
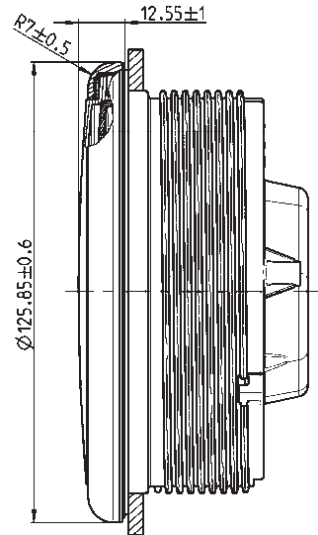


Ø 110 mm Gauges front fitting

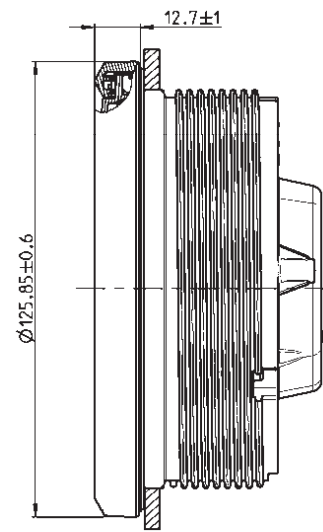
Flat bezel



Round bezel

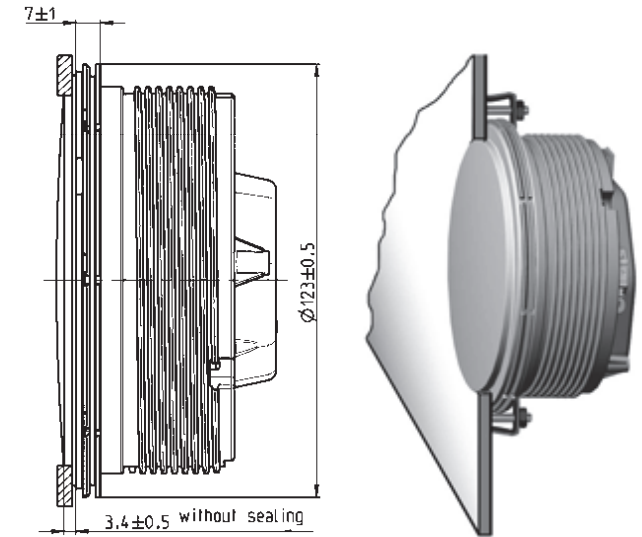


Triangle bezel

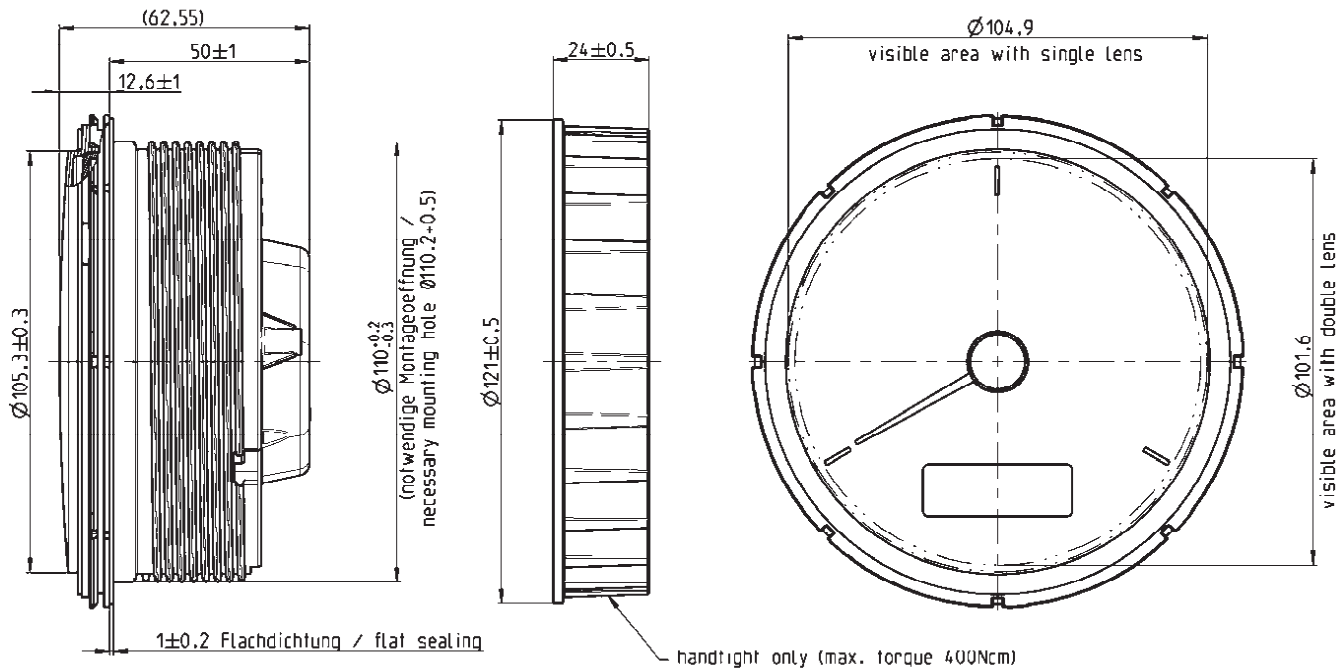


Ø 110 mm Gauges flush fitting

No bezel (rear entry)



Ø 110 mm Gauge and Clamp-Ring overall dimension



Ø 110 mm Gauges & Brackets

