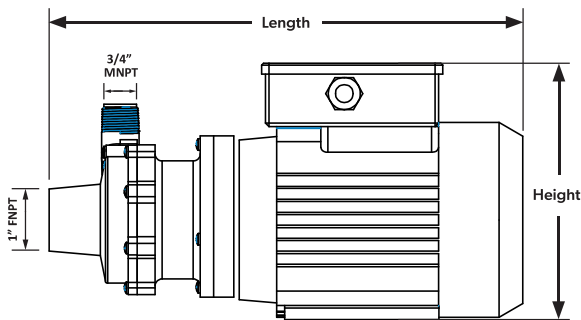
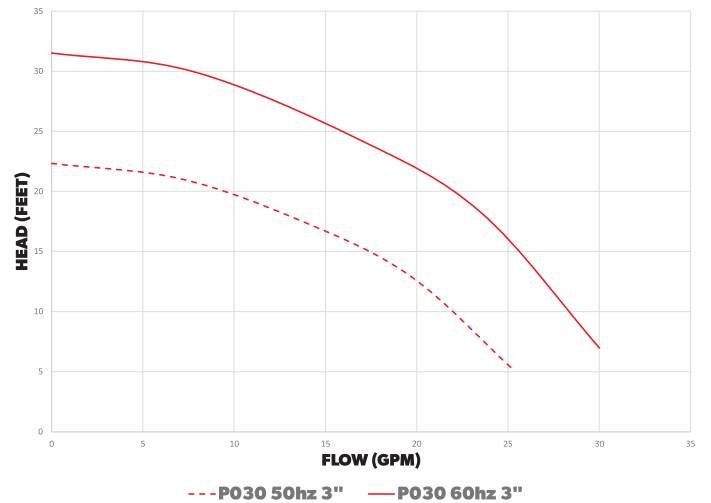
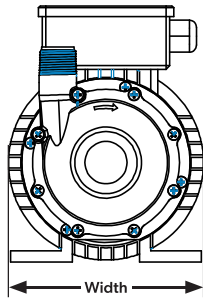
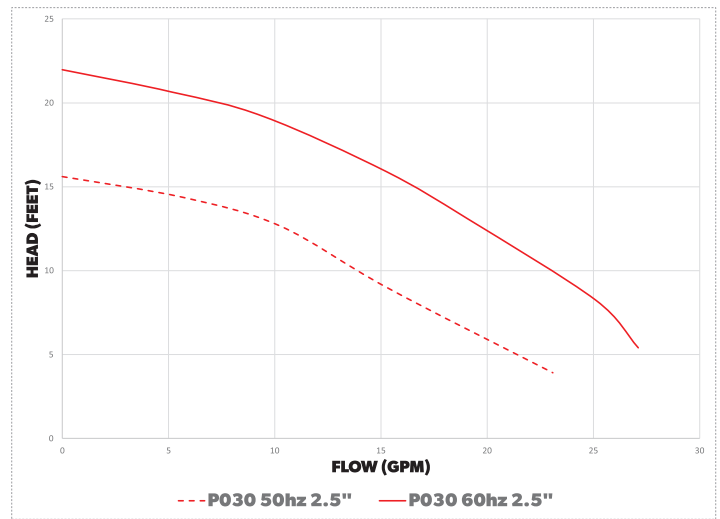


P030M MAGNET-DRIVE CENTRIFUGAL PUMPS



TECHNICAL DATA



SELLABLE ITEM #	HP 60 HZ	HP 50 HZ	PHASE	VOLTS 60 HZ	VOLTS 50 HZ	AMPS 60 HZ	AMPS 50 HZ	DIM L* (IN)	DIM W* (IN)	DIM H* (IN)	IMPELLER SIZE	WEAR KIT ITEM #	WET END ITEM #
9610002000	0.25	0.25	1	115	110	2.5	3.3	12.8	5.4	6.8	2.5	4471004032	4471004037
9610001803	0.25	0.25	1	230	220	1.5	1.9	12.8	5.4	6.8	2.5	4471004032	4471004037
9610001976	0.50	0.50	1	115	110	4.2	5.6	13.3	5.4	7.2	3.0	4471004032	4471004038
9610001977	0.50	0.50	1	230	220	2.2	2.7	13.3	5.4	7.2	3.0	4471004032	4471004038
9610001980	0.50	0.50	3	230/460	230/460	1.6/0.8	1.7/0.9	13.4	5.4	6.9	3.0	4471004032	4471004038

*"L" and "W" values may be +/- 1/4"