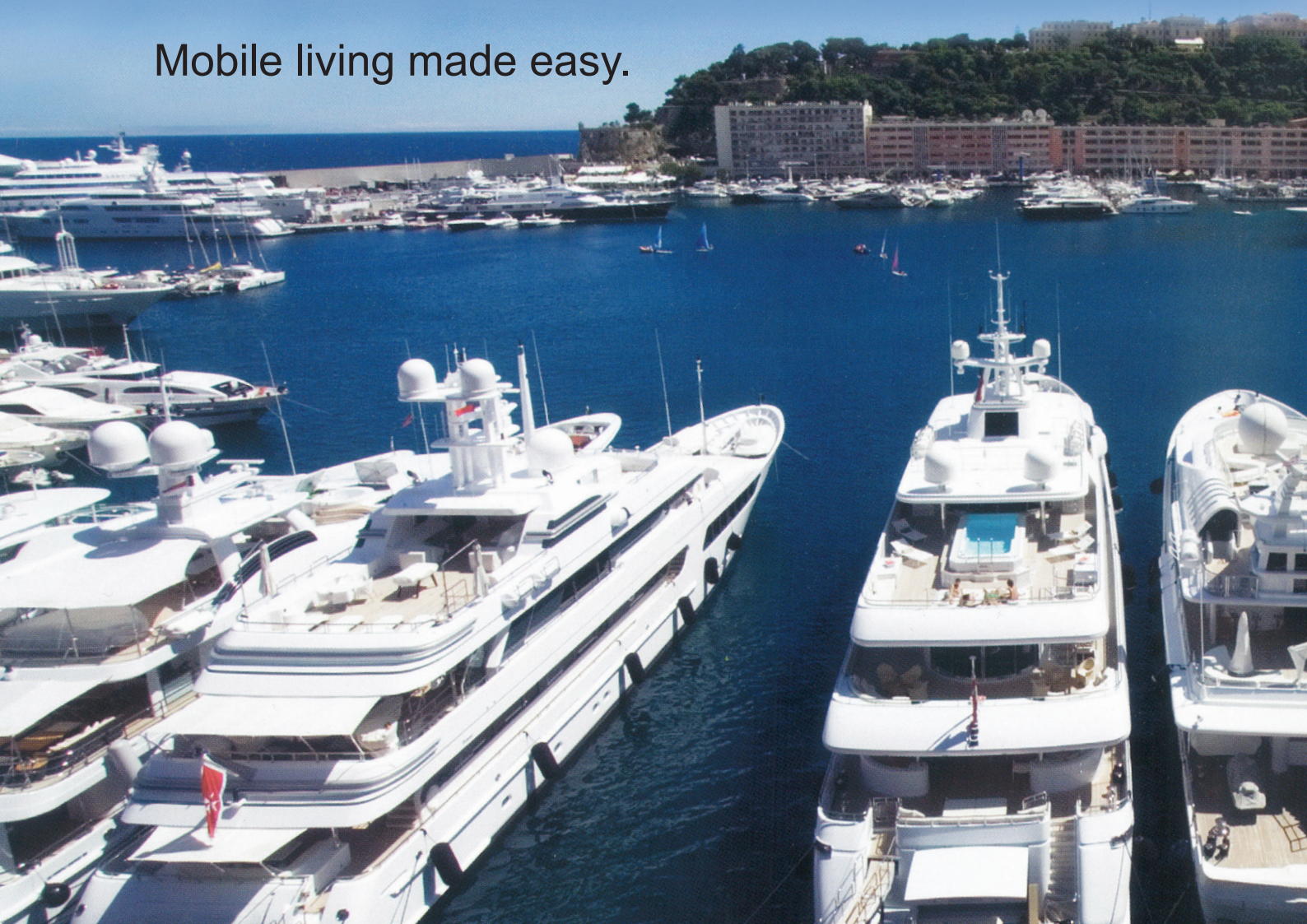




OPERATOR'S MANUAL REPLACEMENT PARTS GUIDE VACUFLUSH - MACERATOR MF GRAVITY & RUSH FLUSH

Mobile living made easy.



Hygiene & Sanitation

REPLACEMENT PARTS GUIDE

**VACUFLUSH &
SANITATION PRODUCTS**

Using this Replacement Parts Guide

This is an explanation to help you find the part you are in need of.

Pages 2-23 are a product index. See guidance below to find the part number you need.

Model Number

For Toilets, this number can be found on a sticker on the base of the toilet.
For all other products, this number can be located on the serial number label.

Item Number

This is the number used when ordering the finished product.
This number can be found on your invoice or the product literature that came with your product.
It is a 9 digit number, however if you have the last 6 numbers we can find your product when you call customer service.

Reference Number

Every parts list for Dometic Sanitation products has a part number.
The reference number is the last 4 digits of the parts list part number.

Page Number

This is the page you can find the parts list for your product. It is a break down of the product so you can find the replacement part you need.

Prices

Prices are not listed in this guide, for your pricing or Suggested Retail price, please email gale.coble@dometic.com and she will email the correct pricing for your company.

For more information:

Contact your dealer, distributor or Dometic Sanitation Customer Service.



13128 State Route 226

Big Prairie, Ohio 44611 USA

Phone 330.439.5550

Fax 330.496.3097

© Registered; ™ Trademark of Dometic Corporation
© Dometic Corporation

Email sanitation.orders@dometic.com

Web www.dometic.com

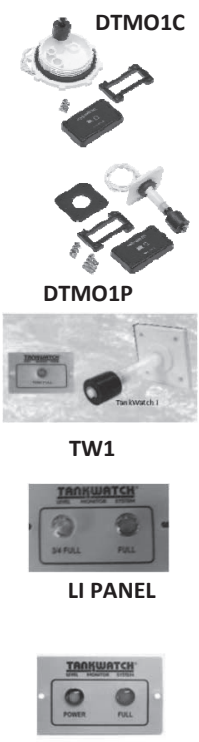
TABLE OF CONTENTS

	INDEX PAGES	PART LIST PAGES
SANITATION SYSTEM ACCESSORIES	4- 5	24- 26
PORTABLE TOILETS	6	27- 28
MACERATORS 2PC	7	29- 39
MACERATORS ALL CHINA	8- 11	40- 75
GRAVITY ALL CHINA	12- 13	76- 90
GRAVITY 2 PC	14- 15	91- 130
VACUFLUSH ALL CHINA	16- 17	131- 158
VACUFLUSH 2PC	18- 19	159- 185
RUSHFLUSH TOILETS	20	186- 192
VACUUM SOURCES	21	193- 208
HOLDING TANK VACUFLUSH	22	209- 221
HOLDING TANK NO VACUFLUSH	23	222- 249

ABBREVIATIONS IN THE DESCRIPTION	
HEIGHT	COLORS
T-TALL	WH-WHITE
S-SHORT	BN-BONE
TT-TALL TOILET	EBY-EBONY
ST-SHORT TOILET	PAR-PARCHMENT
MODEL # ENDS IN 06 & 11- SHORT	PLAT-PLATINUM
MODELS # ENDS IN 08-09-10-47-48-49-TALL	GR-GRAY
T-TALL TOILET	NICK-NICKEL
S-SHORT SHORT TOILET	CHR OR CH - CHROME
TC-TALL COMBO TOILET & BIDET	SEATS
SC-SHORT COMBO TOILET & BIDET	STDS-SS OR (FIRST)SP-PLASTIC
FLUSH TYPE	WDST OR WS-WOOD
SW- FLUSH SWITCH	SC-SLOW CLOSE
FHN-FLUSH HANDLE NICKEL	SLCW OR WSC-SLOW CLOSE WOOD
FHC-FLUSH HANDLE CHROME	SLCP- SLOW CLOSE PLASTIC
TPB-TOUCHPAD BLACK	
FLSW-FLUSH SWITCH	VOLTAGE
ST PAD- STUBBY PAD FOOT LEVER	12 V OR VDC
FS-FLUSH SWITCH	24 V OR VDC
FH-FLUSH HANDLE	PACKAGING
DFTP-FLUSH TOUCHPAD	SP OR SPK- STANDARD BROWN BOX
DFST-NORMAL FLUSH & ADD WTR/DRY BOWL FLUSH	RT-RETAIL BOX
DFS-W FLUSH SWITCH WHITE	PP-PALLET PACK
DISCHARGE	RP- RETURNABLE
TF-THRU FLOOR	EU-EUROPEAN
OP-EITHER THRU FLOOR or ABOVE FLOOR	
AF OR AB-ABOVE FLOOR	
MODELS 08-09 & 46 THRU FLOOR	
MODELS 48 ABOVE FLOOR-REAR	
MODELS 47-ABOVE FLOOR-RIGHT SIDE	
MODELS 49- ABOVE FLOOR-LEFT SIDE	
15TA or 15T USE 1.5" THRU OR ABOVE	
BTM-BOTTOM DISCHARGE	
RO- REAR DISCHARGE ONLY	
TFEV-THRU FLOOR ECOVAC	

Sanitation System ▼ Accessories (Not all have a parts list, they are included in the list for information purposes only)

Level Indication		
Item	Model	Description
313002312	DTM01C	Tank Monitor System with Cap
313002311	DTM01P	Tank Monitor System with probe
313001312	TW1	TankWatch Level Monitor 12/24 Volt
385311443	LI Panel	3/4 - FULL LEVEL SENSOR PANEL
313750012	Tank Full	Power / Tank Full 12 Volt
313750024		Power / Tank Full 24 Volt
313604001	DTM04	4 Light Panel, Probe with Vent 22" Black
313604002		4 Light Panel, Probe without Vent 22" Black
313604003		4 Light Panel, Probe with Vent 45" Black
313604004		4 Light Panel, Probe without Vent 45" Black
360608001	DTM08	8 Light Panel, Probe with Vent 22" Black
360608002		8 Light Panel, Probe without Vent 22" Black
360608003		8 Light Panel, Probe with Vent 45" Black
360608004		8 Light Panel, Probe without Vent 45" Black
360612001	DTM12	12 Light Panel, Probe with Vent 22" Black
360612002		12 Light Panel, Probe without Vent 22" Black
360612003		12 Light Panel, Probe with Vent 45" Black
360612004		12 Light Panel, Probe without Vent 45" Black
360614001	DTM04F	4 Light Panel, Fresh Water Probe with Vent 22" Black
360614002		4 Light Panel, Fresh Water Probe without Vent 22" Black
360614003		4 Light Panel, Fresh Water Probe with Vent 45" Black
360614004		4 Light Panel, Fresh Water Probe without Vent 45" Black



Part List
#6527
Page 24



Tank System Controls

Item	Model	Description
313814501	DTD	DTD-M-12VDC-MAN. WHITE Part List 6020 Page 25
313814101	DTD01	DTD01 12V BLACK
313814103		DTD01 24V BLACK
313814301		DTD01A 12V BLACK
313814303		DTD01A 24V BLACK
313814201	DTD02	DTD02 12V BLACK
313814203		DTD02 24V BLACK
313814401		DTD02A 12V BLACK
313814403		DTD02A 24V BLACK
313131012	TMG	12V. SINGLE HEAD
313131024		24V. SINGLE HEAD
313131112		12V. SINGLE HEAD, SEACOCK
31313124		24V. SINGLE HEAD, SEACOCK
313131212		12V. MULTI HEAD
313131224		24V. MULTI HEAD
313131312		12V. MULTI HEAD, SEACOCK
313131324		24V. MULTI HEAD, SEACOCK

Complete sanitation management system for offshore boats. Monitors holding tank level, allows manual overboard discharge, automatically turns off the pump,



Sanitation System ▼ Accessories

(Not all accessories have part lists, they are all included for information purposes only)

VacuFlush Controls			
Item	Model	Description	
313418010	VFSHW	VACUFLUSH HAND WAVE SWITCH PANEL 12/24 BLACK	Part List 6524 Page 26
313418020		VACUFLUSH HAND WAVE SWITCH PANEL 12/24 WHITE	
313408010	VFS	VACUFLUSH SWITCH PANEL VFS GRAY 12/24	
313408020		VACUFLUSH SWITCH PANEL VFS WHITE 12/24	
313408030		VACUFLUSH SWITCH PANEL VFP GRAY 12/24	
313530012	DVS02	DOMETIC STATUS CONTROL PANEL 12V BLACK	
313530024		DOMETIC STATUS CONTROL PANEL 24V BLACK	
313535000	DVS01	STATUS PANEL 12/24V BLACK	
313535001		STATUS PANEL 12V/4P-MNL-BLACK	
313535002		STATUS PANEL 24V/4P-MNL-BLACK	
313535003		STATUS PANEL 12V/4S-AMP-BLACK	
313535004		STATUS PANEL 12V/4P-DTR-BLACK	
313535005		STATUS PANEL 24V/4P-DTR-BLACK	
313712000	DNF	DO NOT FLUSH STATUS PANEL 12/24	



VFSHW



VFS



DVS02



DVS01



DNF

MasterFlush 8000 Series Controls

Item	Model	Description	
313419010	DFSHW	DOMETIC HAND WAVE SWITCH PANEL 12/24 BLACK	
313419020		DOMETIC HAND WAVE SWITCH PANEL 12/24 WHITE	
313409010	DFS	DOMETIC SWITCH PANEL DFS GRAY 12/24	
313409020		DOMETIC SWITCH PANEL DFS WHITE 12/24	
313409030		DOMETIC SWITCH PANEL DFP GRAY 12/24	
313600021	DFT	DOMETIC TOUCH PAD FLUSH SWITCH WHITE 12/24	
313600022		DOMETIC TOUCH PAD FLUSH SWITCH BLACK 12/24	
385311702	DFST	DOMETIC 8100 FLUSH SWITCH (INCL. WITH 8100)	
313712000	DNF	DO NOT FLUSH STATUS PANEL 12/24 (SEE PHOTO ABOVE)	
313722000	DSS	MASTERFLUSH SYSTEM STATUS PANEL	



DFSHW



DFS



DFT





DFST



DSS

MasterFlush 7000 Series Controls

Item	Model	Description	
385311702	DFST	DOMETIC 8100 FLUSH SWITCH (SEE PHOTO ABOVE)	 DFS-1F  DFS-2F
385311997	DFS-1F	DOMETIC FLUSH SWITCH (INCLUDED WITH 71-7200 MODELS)	
385311998	DFS-2F	DOMETIC 8100 FLUSH SWITCH	

RushFlush Controls

Item	Model	Description	
313419010	DFSHW	DOMETIC HAND WAVE SWITCH PANEL 12/24 BLACK	same as those shown with MasterFlush Controls
313419020		DOMETIC HAND WAVE SWITCH PANEL 12/24 WHITE	
313409010	DFS	DOMETIC SWITCH PANEL DFS GRAY 12/24	
313409020		DOMETIC SWITCH PANEL DFS WHITE 12/24	
313409030		DOMETIC SWITCH PANEL DFP GRAY 12/24	
313600021	DFT	DOMETIC TOUCH PAD FLUSH SWITCH WHITE 12/24	
313600022		DOMETIC TOUCH PAD FLUSH SWITCH BLACK 12/24	

Portable Toilets ▼ Dometic

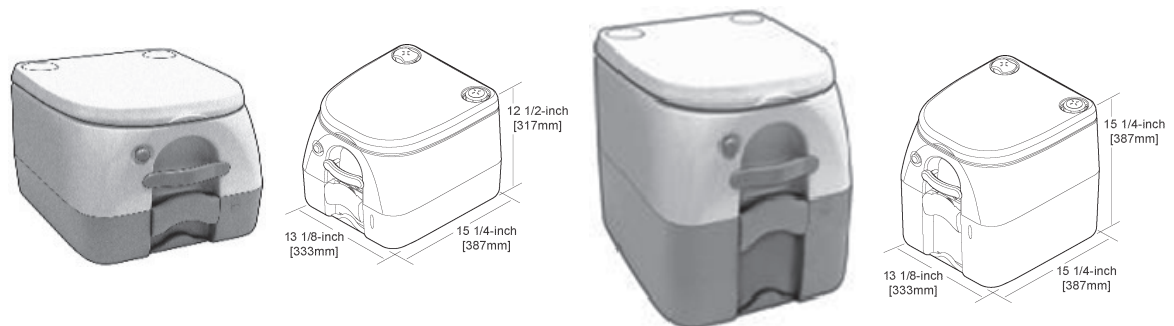
960 Toilet Series ★

Item	Model	Description	Ref. List #	Page
301096202	962	TOILET PRTBL 962-PARCH	960	27
301096206		TOILET PRTBL 962-PLAT		
311096402	964	TOILET PRTBL 964-PARCHMENT		
311096406		TOILET PRTBL 964-PLATINUM		
311196402	964 MSD	TOILET PRTBL 964MSD-PARCHMENT		
311196406		TOILET PRTBL 964MSD-PLATINUM		
301096602	966	TOILET PRTBL 966-PARCH		
301096606		TOILET PRTBL 966-PLAT		
311096502	965	TOILET PRTBL 965-PARCHMENT		
311096506		TOILET PRTBL 965-PLATINUM		
311196502	965 MSD	TOILET PRTBL 965MSD-PARCHMENT		
311196506		TOILET PRTBL 965MSD-PLATINUM		



970 Toilet Series ★

Item	Model	Description	Ref. List #	Page
301097202	972	TOILET PRTBL 972 - TAN	970	28
301097206		TOILET PRTBL 972 - GRAY		
301097402	974	TOILET PRTBL 974-TAN		
301097406		TOILET PRTBL 974-GRAY		
301197402	974 MSD	TOILET PRTBL 974MSD-TAN		
301197406		TOILET PRTBL 974MSD-GRAY		
301097602	976	TOILET PRTBL 976 - TAN		
301097606		TOILET PRTBL 976 GRAY		
301097502	975	TOILET PRTBL 975-TAN		
301097506		TOILET PRTBL 975-GRAY		
301197502	975 MSD	TOILET PRTBL 975MSD-TAN		
301197506		TOILET PRTBL 975MSD-GRAY		



Macerator 2 - pc. Toilets ▼ MasterFlush

7120-7160 Toilet Series ★ 5000 Series Bowl

Item	Model	Description	Ref. List #	Page	
304712009	7120	7120-ST /WD/OP/12/- - - /RT/WHT	7002	29	
304712010		7120-ST /WD/OP/12/- - - /RT/BNE			
304712011		7120-ST /WD/OP/24/- - - /RT/WHT			
304712012		7120-ST /WD/OP/24/- - - /RT/BNE			
304712401	7124	7124-SLCW/12V/DFS1/SP/WHT	7397	30	
304712402		7124-SLCW/12V/DFS1/SP/BNE			
304712403		7124-SLCW/24V/DFS1/SP/WHT			
304712404		7124-SLCW/24V/DFS1/SP/BNE			
304716009	7160	7160-ST /WD/OP/12/- - - /RT/WHT	7017	31	
304716010		7160-ST /WD/OP/12/- - - /RT/BNE			
304716011		7160-ST /WD/OP/24/- - - /RT/WHT			
304716012		7160-ST /WD/OP/24/- - - /RT/BNE			
304716401	7164	7164-SLCW/12V/DGW/SP/WH	7398	32	
304716402		7164-SLCW/12V/DGW/SP/WH			
304716403		7164-SLCW/12V/DGW/SP/WH			
304716404		7164-SLCW/12V/DGW/SP/WH			
304716501	7165	7165-ST / WD / AB / 12 / - - - /SP /WH	7240	33	

7220-7225-7260 Toilet Series ★ 100 Series Bowl

Item	Model	Description	Ref. List #	Page	
304722009	7220	7220-ST /WD/OP/12/- - - /RT/WHT	7057	34	
304722010		7220-ST /WD/OP/12/- - - /RT/BNE			
304722011		7220-ST /WD/OP/24/- - - /RT/WHT			
304722012		7220-ST /WD/OP/24/- - - /RT/BNE			
304722014		7220-ST /WD/AB/12/---/SP/WHT/X			
304722015		7220-ST /WD/AB/12/DF2/SP/WHT/X			
304722016	7220-WDST/12V/DFST/SP/WHT/X				
304722013	7220-ST /WD/OP/12/NOP/SP/WHT/X	7245	35		
304722501	7225	7225-ST /TP/AB/12/DF1/SP/WHT	7343	36	
304722503		7225-ST /TP/AB/24/DF1/SP/WHT			
304726009	7260	7260-ST /WD/OP/12/- - - /RT/WHT	7058	37	
304726010		7260-ST /WD/OP/12/- - - /RT/BNE			
304726011		7260-ST /WD/OP/24/- - - /RT/WHT			
304726012		7260-ST /WD/OP/24/- - - /RT/BNE			
304726501	7265	7265-TSEV/24V/DFS1/SP/WH	7506	38	

7640 Toilet Series ★ (310 Series Bowl)

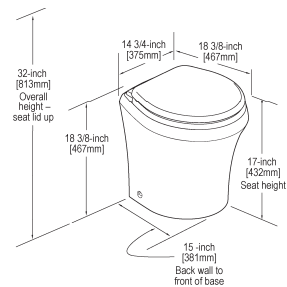
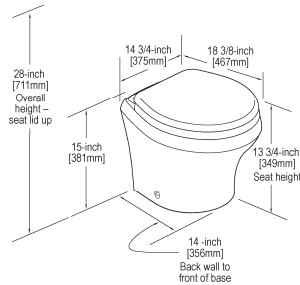
Item	Model	Description	Ref. List #	Page	
304764001	7640	7640-TT /WD/TF/12/FPD/SP/WHT	7248	39	
304764002		7640-TT /WD/TF/12/FPD/SP/BNE			
304764003		7640-TT/WD/TF/12/FPD/PP/WHITE			
304764004		7640-TT/WD/TF/12/FPD/PP/BONE			

Macerator All China Toilets ▼ MasterFlush

Toilets with * will be obsolete if they are not already obsolete.

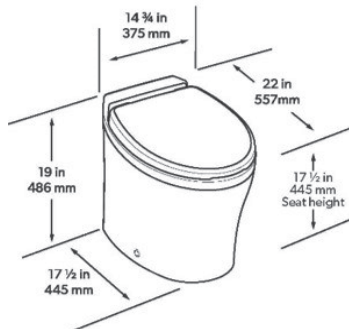
8100 Toilet Series ★

Item	Model	Description	Ref. List #	Page
*304811201	Short 8100	8112-WS/S-/15T-/12/SW/--/SP/WH OBSOLETE	6354	40
*304811601		8116-WS/S-/15T-/24/SW/--/SP/WH OBSOLETE		
*304812003		8120-STDS/12V/DFST/SP/BONE OBSOLETE		
*304812005		8120-STDS/24V/DFST/SP/BONE OBSOLETE		
*304812001		8120-ST /WD/AB/12/81P/SP/WHT/X OBSOLETE	7195	41
*304814001	Tall 8100	8140-TT /SP/OP/12/81P/SP/WHT/X OBSOLETE	6994	42
*304814003		8140-STDS/12V/DFST/SP/BNE OBSOLETE	7408	43
*304814005		8140-STDS/24V/DFST/SP/BNE OBSOLETE		
*304815201		8152-WS/T-/15T-/12/SW/--/SP/WH OBSOLETE		
*304815601		8156-WS/T-/15T-/24/SW/--/SP/WH OBSOLETE		
*304816501			8165-TT/WD/AB/A2/81P/SP/WHT OBSOLETE	7244
304812020	New Short 8100	8120-WDST/12V/DFST-/SP/WHT	7490	45
304812021		8120-WDST/24V/DFST-/SP/WHT		
304812022		8120-WDST/12V/DFST-/SP/BNE		
304812023		8120-WDST/24V/DFST-/SP/BNE		
304814020	New Tall 8100	8140-WDST/12V/DFST-/SP/WHT	7485	46
304814021		8140-WDST/12V/DFST-/SP/BNE		
304814022		8140-WDST/24V/DFST-/SP/WHT		
304814023		8140-WDST/24V/DFST-/SP/BNE		
304816510				



8500 Toilet Series ★ Moderno Macerator

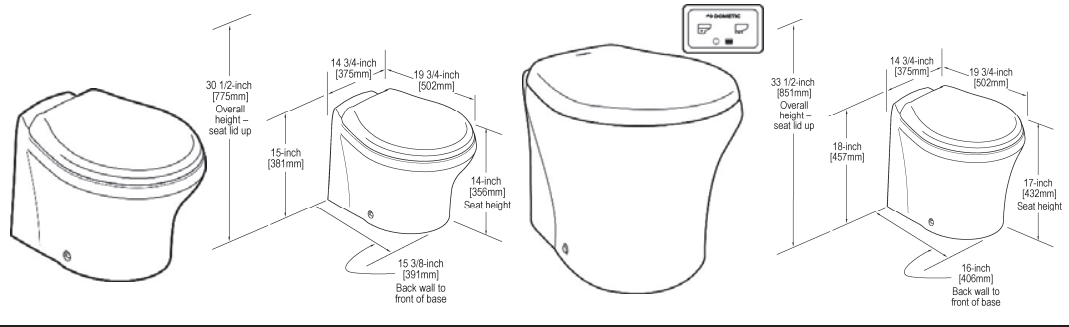
Item	Model	Description	Ref. List #	Page
304854001	8540	8540-SLCP/12V/DFTP-/SP/WHT	7456	48
304854003	8540	8540-SLCP/24V/DFTP-/SP/WHT		
304854005	8540	8540-SLCP/12V/DFSHW/SP/WHT		
304854006	8540	8540-SLCP/24V/DFSHW/SP/WHT		
304854101	8541	8541-BDSC/12V/DFTP-/SP/WHT	7488	49
304854102	8541	8541-BDSC/24V/DFTP-/SP/WHT		



Macerator All China Toilets ▼ MasterFlush

Toilets with * will be obsolete if they are not already obsolete.

8600 Toilet Series ★ (Straight back)				
Item	Model	Description	Ref. List #	Page
*304860901		8609-MASWT/15TA/12/SW/--/SP/WH OBSOLETE	6564	50
304862020	New Short 8600	S8620-SLDT/12V/DFTP-/SP/WHT	7503	51
304862021		S8620-SLDT/24V/DFTP-/SP/WHT		
304862022		S8620-SLDT/12V/DFTP-/SP/BNE		
304862023		S8620-SLDT/24V/DFTP-/SP/BNE		
304862912		8629-WDST/12V/-----/SP/WHT/X LEE SAN		
304862913	8629-WDST/24V/-----/SP/WHT/X LEE SAN			
*304863001	Short 8600	8630-SC/S-/15TA/24/SW/--/SP/WH OBSOLETE	6608	53
*304863002		8630-SC/S-/15TA/24/SW/--/SP/BN OBSOLETE		
*304863041		8630-SC/S-/15TA/24/--/SP/WH OBSOLETE		
*304863901		8639-SC/S-/15TA/12/SW/--/SP/WH OBSOLETE		
*304863902		8639-SC/S-/15TA/12/SW/--/SP/BN OBSOLETE		
304864001		8640-SC/SC/15TA/24/SW/--/SP/WH	6608	53
*304864005		8640-TT /SP/TF/24/NOP/SP/WHT OBSOLETE	7141	54
*304864010	Tall 8600	8640-TT /SP/TF/12/TPB/SP/WHT OBSOLETE	7144	55
*304864011		8640-TT /SP/TF/12/TPB/SP/BNE OBSOLETE		
*304864012		8640-TT /SP/TF/24/TPB/SP/WHT OBSOLETE		
*304864013		8640-TT /SP/TF/24/TPB/SP/BNE OBSOLETE		
304864020		New Tall 8600		
304864021	S8640-SLDT/24V/DFTP-/SP/WHT			
304864024	S8640-SLDT/12V/DFTP-/SP/BNE			
304864025	S8640-SLDT/24V/DFTP-/SP/BNE			
304864022	8640-SLCP/24V/DFS-W/SP/WHT/STX		7499	57
304864023	8640-SLCP/24V/DFS-W/SP/WHT/ELX			
304864901		8649-SC/SC/15TA/12/SW/--/SP/WH	6608	58
304864910		8649-SLCP/12V/DFST-/SP/WHT/X C	7482	59
304864911		8649-SLCP/24V/DFST-/SP/WHT/X C		
304864912		8649-WDST/12V/-----/SP/WHT/X LEE SAN	6484	60
304864913		8649-WDST/24V/-----/SP/WHT/X LEE SAN		



Macerator Bidet Combo All China Toilets ▼ MasterFlush

8600 Toilet & Bidet Series ★ (Straight back)

Item	Model	Description	Ref. List #	Page
304864901	8649	8640-SC/SC/15TA5/24/SW/--/SP/WH	6608	61
304864001	8640	8640-SC/SC/15TA5/12/SW/--/SP/WH		
*304868001	8680	8689-SC/TC/15TA/12/SW/--/SP/WH OBSOLETE	6608	61
*304868901		8680-SC/TC/15TA/24/SW/--/SP/WH OBSOLETE		



Macerator All China Toilets ▼ MasterFlush

Toilets with * will be obsolete if they are not already obsolete.

8700 Toilet Series ★				
Item	Being replaced by	Description	Ref. List #	Page
*304874001	NONE	8740-TT /WD/TF/12/FHC/SP/BNE/X OBSOLETE	6991	62
*304874002	304874610	8740-TT /WD/TF/12/FHC/SP/WHT OBSOLETE	7065	63
*304874003	304874615	8740-TT /WD/TF/12/FHC/SP/BNE OBSOLETE		
*304874004	304874619	8740-TT /WD/TF/12/FHC/SP/EBY OBSOLETE		
*304874007	304874612	8740-TT /WD/TF/12/FHN/SP/WHT OBSOLETE		
*304874008	P	8740-TT /WD/TF/12/FHN/SP/BNE OBSOLETE		
*304874009	304874611	8740-TT /WD/TF/24/FHC/SP/WHT OBSOLETE		
*304874010	304874616	8740-TT /WD/TF/24/FHC/SP/BNE OBSOLETE		
*304874011	304874620	8740-TT /WD/TF/24/FHC/SP/EBY OBSOLETE		
*304874014	304874613	8740-TT /WD/TF/24/FHN/SP/WHT OBSOLETE		
*304874015	304874618	8740-TT /WD/TF/24/FHN/SP/BNE OBSOLETE		
*304874016	304874614	8740-TT /WD/AB/12/FHN/SP/WHT/X OBSOLETE		
304874020	NEW 8700 WITH TOUCH PAD FLUSH	8740-WDST/12V/DFTP-/SP/WHT	7460	65
304874021		8740-WDST/24V/DFTP-/SP/WHT		
304874022		8740-WDST/12V/DFTP-/SP/BNE		
304874023		8740-WDST/24V/DFTP-/SP/BNE		
304874024		8740-WDST/12V/DFTP-/SP/EBY		
304874025	8740-WDST/24V/DFTP-/SP/EBY			
*304874301	304874020	8743-TT /WD/TF/12/TPB/SP/WHT OBSOLETE	7066	66
*304874302	304874021	8743-TT /WD/TF/24/TPB/SP/WHT OBSOLETE		
*304874303	304874022	8743-TT /WD/TF/12/TPB/SP/BNE OBSOLETE		
*304874304	304874023	8743-TT /WD/TF/24/TPB/SP/BNE OBSOLETE		
*304874305	304874024	8743-TT /WD/TF/12/TPB/SP/EBY OBSOLETE		
*304874306	304874025	8743-TT /WD/TF/24/TPB/SP/EBY OBSOLETE		
304874610	NEW 8700 WITH FLUSH HANDLE	8746-WDST/12V/FHCH-/SP/WHT	7471	67
304874611		8746-WDST/24V/FHCH-/SP/WHT		
304874612		8746-WDST/12V/FHNK-/SP/WHT		
304874613		8746-WDST/24V/FHNK-/SP/WHT		
304874615		8746-WDST/12V/FHCH-/SP/BNE		
304874616		8746-WDST/24V/FHCH-/SP/BNE		
304874617		8746-WDST/12V/FHNK-/SP/BNE		
304874618		8746-WDST/24V/FHNK-/SP/BNE		
304874619		8746-WDST/12V/FHCH-/SP/EBY		
304874620		8746-WDST/24V/FHCH-/SP/EBY		
304874614		8746-WDST/12V/FHNK-/SP/WHT/X	7337	68
*304875001	304874021	8750-WS/T-/15TA/24/SW/--/SP/WH OBSOLETE	6355	69
*304875002	304874023	8750-WS/T-/15TA/24/SW/--/SP/BN OBSOLETE		
*304875071	304874611	8750-WS/T-/15TA/24/FH/CH/SP/WH OBSOLETE		
*304875072	304874616	8750-WS/T-/15TA/24/FH/CH/SP/BN OBSOLETE		
*304875901	304874020	8759-WS/T-/15TA/12/SW/--/SP/WH OBSOLETE		
*304875902	304874021	8759-WS/T-/15TA/12/SW/--/SP/BN OBSOLETE		
*304875971	304874610	8759-WS/T-/15TA/12/FH/CH/SP/WH OBSOLETE		
*304875972	304874615	8759-WS/T-/15TA/12/FH/CH/SP/BN OBSOLETE		



Macerator All China Toilets ▼ MasterFlush

Toilets with * will be obsolete if they are not already obsolete.

8900 Toilet Series ★ (Angle back)

Item	Replacement	Description	Ref. List #	Page
304892020	Short 8900	8920-SLCP/12V/DFTP-/SP/WHT	7493	70
304892021		8920-SLCP/24V/DFTP-/SP/WHT		
304892023		8920-SLCP/12V/DFTP-/SP/BNE		
304892024		8920-SLCP/24V/DFTP-/SP/BNE		
*304893001	304892020	8930-SC/S-/15TA/24/SW/--/SP/WH OBSOLETE	6121	71
*304893002	304892023	8930-SC/S-/15TA/24/SW/--/SP/BN OBSOLETE		
*304893901	304892021	8939-SC/S-/15TA/12/SW/--/SP/WH OBSOLETE		
*304893902	304892024	8939-SC/S-/15TA/12/SW/--/SP/BN OBSOLETE		
304894020	Tall 8900	8940-SLCP/12V/DFTP-/SP/WHT	7483	72
304894021		8940-SLCP/12V/DFTP-/SP/BNE		
304894022		8940-SLCP/24V/DFTP-/SP/WHT		
304894023		8940-SLCP/24V/DFTP-/SP/BNE		
*304897001	304894022	8970-SC/T-/15TA/24/SW/--/SP/WH OBSOLETE	6121	73
*304897002	304894023	8970-SC/T-/15TA/24/SW/--/SP/BN OBSOLETE		
*304897901	304894020	8979-SC/T-/15TA/12/SW/--/SP/WH OBSOLETE		
*304897902	304894021	8979-SC/T-/15TA/12/SW/--/SP/BN OBSOLETE		



Macerator Bidet Combo All China Toilets ▼ MasterFlush

8900 Toilet & Bidet Series ★ (Angle back)

Item	Model	Description	Ref. List #	Page
304894101	NEW	8941-SLCP/12V/DFTP-SP/WHT	7479	74
304894102	NEW	8941-SLCP/24V-DFTP-SP/WH		
*304894901	NONE	8949-SC/SC/15TA/12/SW/--/SP/WH OBSOLETE	6449	75
*304894001	NONE	8940-SC/SC/15TA/24/SW/--/SP/WH OBSOLETE		
*304898901	304894101	8989-SC/TC/15TA/12/SW/--/SP/WH OBSOLETE		
*304898001	304894102	8980-SC/TC/15TA/24/SW/--/SP/WH OBSOLETE		

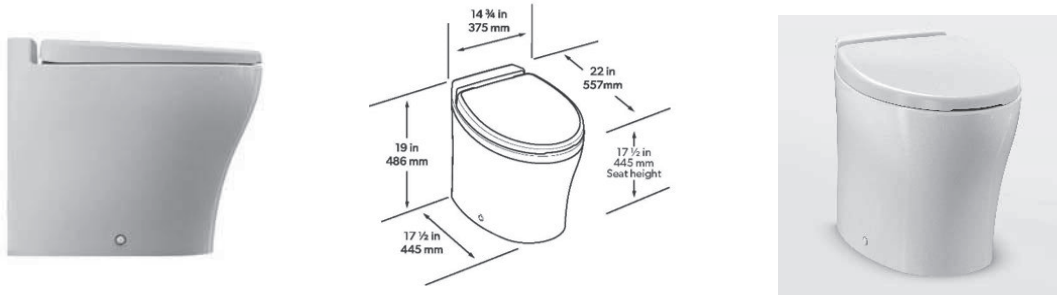


All China Toilets ▼ Gravity

Toilets with * will be obsolete if they are not already obsolete.

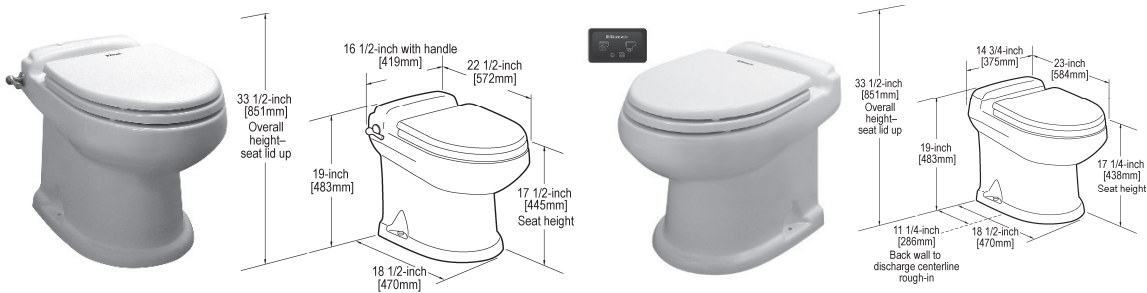
6500 Toilet Series ★ Moderno Gravity

Item	Model	Description	Ref. List #	Page
302651020	6510	6510-SLCP/12V/GRFLS/SP/WHT	7533	76
302651022		6510S-SLCP/12V/GRFLS/SP/WHT		



4300 - 4400 Toilet Series ★

Item	Model	Description	Ref. List #	Page
302431111	4300	4310-GT ALL CHINA, 12V, Wood Seat, White/Chrome Flush	6469	77
302431131		4310-GT ALL CHINA, 12V, Wood Seat, Bone/Chrome Flush		
302441110	4400	4410-GT ALL CHINA, 12V., Wood Seat, White, Wall Switch		78
302441130		4410-GT ALL CHINA, 12V., Wood Seat, Bone, Wall Switch		
*302143061	4300	CONCERTO 4310 Flush Lever WHITE/NICK OBSOLETE	5149	79
*302413063		CONCERTO 4310 Flush Lever BONE/NICK OBSOLETE		
*302044061	4400	CONCERTO 4410 Flush Switch WHITE OBSOLETE		80
*302044063		CONCERTO 4410 Flush Switch BONE OBSOLETE		



4800 Toilet Series ★ (Angle back)

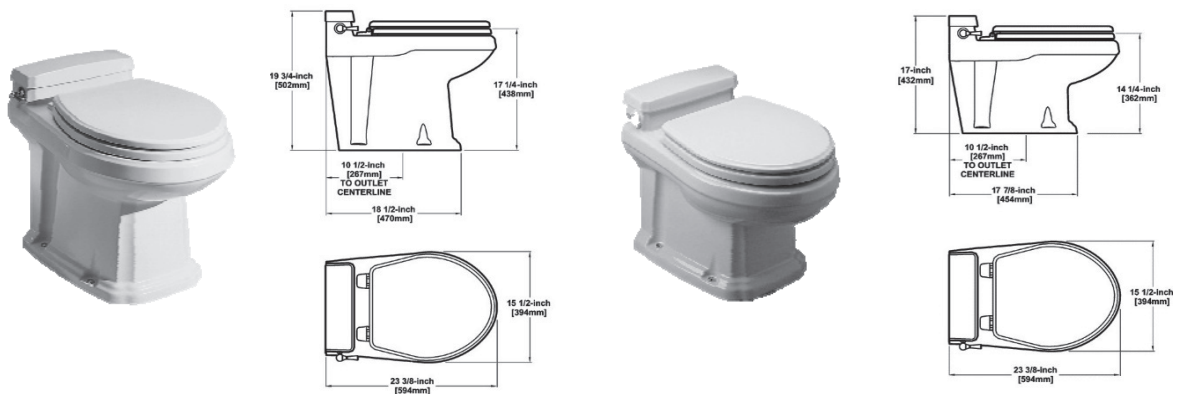
Item	Model	Description	Ref. List #	Page
302481510	4800	4810-GT/12/SC/-/SP/WHT	6757	81
302481110		4811-GT/12/WS/-/SP/WHT		



All China Toilets ▼ Gravity

3000 Toilet Series ★ Obsolete

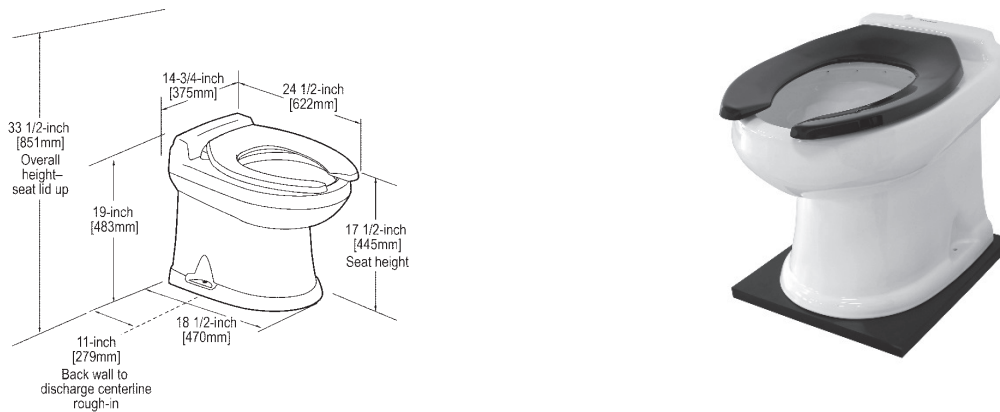
Item	Model	Description	Ref. List #	Page
*302301011	3010	MAGNUM OPUS 3010 - WHITE OBSOLETE	4847	83
*302301013		MAGNUM OPUS 3010 - BONE OBSOLETE		
*302301111	3011	MAGNUM OPUS 3011 - WHITE OBSOLETE	4848	84
*302301113		MAGNUM OPUS 3011 - BONE OBSOLETE		
*302311011	3110	MAGNUM OPUS 3110 - WHITE OBSOLETE	4962	85
*302311013		MAGNUM OPUS 3110 - BONE OBSOLETE		
*302311111	3111	MAGNUM OPUS 3111 - WHITE OBSOLETE	4965	86
*302311113		MAGNUM OPUS 3111 - BONE OBSOLETE		




Item	Model	Description	Ref. List #	Page
*302132061	3210	CONCERTO 3210 - WHITE OBSOLETE	4958	87
*302132063		CONCERTO 3210 - BONE OBSOLETE		
*302133061	3310	CONCERTO 3310 FL - WHITE OBSOLETE	4959	88
*302133063		CONCERTO 3310 FL - BONE OBSOLETE		
*302134061	3410	CONCERTO 3410 WS - WHITE OBSOLETE	4960	89
*302134063		CONCERTO 3410 WS - BONE OBSOLETE		

4499 Navy Toilet


Item	Model	Description	Ref. List #	Page
302449910	4410N	302449910 NAVY TOILET	6974	90




2 pc. Toilets ▼ Gravity				
500 Toilet Series ★				
Item	Model	Description	Ref. List #	Page
*302510481	510H	510H-WS /RT/WHITE OBSOLETE	5632	91
*302510483		510H-WS /RT/BONE OBSOLETE		
302651101	511H	511H- WHITE	4156	92
302651103		511H- BONE		
302651001	510+	510+- WHITE	4139	93
302651003		510+- BONE		
302510001	510HPS	510HPS- WHITE	5837	94
302510003		510HPS- BONE		
302510221	510PS	510PS-WS /SP/WHITE	6200	95
302510223		510PS-WS /SP/BONE		
302511221	511PS	511PS-WS /SP/WHITE	6200	96
302511223		511PS-WS /SP/BONE		



Model 511



Model 510PS



Model 510H

5000 Toilet Series ★				
Item	Model	Description	Ref. List #	Page
302501001	5000	TRAVELER 5010 WHITE	5807	97
302501101		TRAVELER 5011 WHITE		98

700 Toilet Series ★				
Item	Model	Description	Ref. List #	Page
312371101	711-M28	TRAVELER M28-711-WHITE	5212	99
312371103		TRAVELER M28-711-BONE		

2000 Toilet Series ★ <i>Obsolete</i>				
Item	Model	Description	Ref. List #	Page
*302421001	2010	TRAVELER 2010 - WHITE OBSOLETE	5281	100
*302421003		TRAVELER 2010 - BONE OBSOLETE		
*302421101	2011	TRAVELER 2011 - WHITE OBSOLETE	5281	101
*302421103		TRAVELER 2011 - BONE OBSOLETE		

900 Toilet Series ★ <i>Obsolete</i>				
Item	Model	Description	Ref. List #	Page
*302491001	910	TRAVELER 910 - WHITE OBSOLETE	5280	102
*302491003		TRAVELER 910 - BONE OBSOLETE		
*302491101	911	TRAVELER 911 - WHITE OBSOLETE	5280	103
*302491103		TRAVELER 911 - BONE OBSOLETE		


110 - 111 Toilet Series ★ <i>Obsolete</i>				
Item	Model	Description	Ref. List #	Page
*302611001	110	TRAVELER LITE 110 - WHITE(NP) OBSOLETE	4935	104
*302611003		TRAVELER LITE 110 - BONE(NP) OBSOLETE		
*302611101	111	TRAVELER LITE 111 - WHITE OBSOLETE	5408	105
*302611103		TRAVELER LITE 111 - BONE OBSOLETE		
*302811101		TRAVELER LITE 111 - WOOD SEAT OBSOLETE		
*302011191		TRAVELER LITE 111 - SHT PEDAL OBSOLETE		

130 Toilet Series ★ <i>Obsolete</i>				
Item	Model	Description	Ref. List #	Page
*302713006	130-131	TRAVELER LITE 130S-PLATINUM -OBSOLETE	4691	108
*302713106		TRAVELER LITE 131-PLATINUM-OBSOLETE		


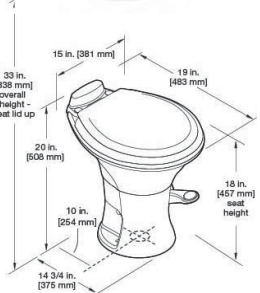

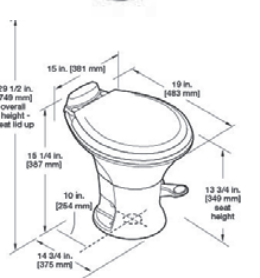
200 Toilet Series ★ <i>Obsolete</i>				
Item	Model	Description	Ref. List #	Page
*302621001	210	TRAVELER LITE 210-WHITE OBSOLETE	4935	109
*302621003		TRAVELER LITE 210-BONE OBSOLETE		
*302921001		TRAVELER LITE 210-WOOD SEAT -OBSOLETE		

2 pc. Toilets ▼ Gravity


300 Toilet Series ★

Item	Model	Description	Ref. List #	Page	
302300011	300	300-SS /SP/WHITE	6816	111	
302300013		300-SS / SP/BONE			
302300011		300-SS /SP/WHITE w/hand spray		112	
302300013		300-SS / SP/BONE w/hand spray			
302301611	301	301-SS /SP/WHITE	7283	113	
302301613		301-SS / SP/BONE			
302301611		301-SS /SP/WHITE w/hand spray		114	
302301613		301-SS / SP/BONE w/hand spray			

310 Toilet Series ★


Item	Model	Description	Ref. List #	Page		
302310011	310	310-TALL-WHITE	6224	115	 	
302310013		310-TALL-BONE				
302310111		310-TALL-WHITE w/hand spray		116		
302310113		310-TALL-BONE w/hand spray				
302310031		310	310-TALL-WHITE-SLOW CLOSE	7346		117
302310033			310-TALL-BONE-SLOW CLOSE			
302310131			310-TALL-WHITE-SLOW CLOSE w/hand spray			118
302310133			310-TALL-BONE-SLOW CLOSE w/hand spray			
302310021		310	310-TALL-WHITE-WOOD SEAT	6868		119
302310023			310-TALL-BONE-WOOD SEAT			
302310121			310-TALL-WHITE-WOOD SEAT w/hand spray			120
302310123			310-TALL-BONE-WOOD SEAT w/hand spray			
302311611	311	311-LO PROFILE-WHITE	7271	121	 	
302311613		311-LO PROFILE-BONE				
302311711		311-LO PROFILE-WHITE w/hand spray		122		
302311713		311-LO PROFILE-BONE w/hand spray				
302311631		311	311-LO PROFILE-WHITE-SLOW CLOSE	7347		123
302311633			311-LO PROFILE-BONE-SLOW CLOSE			
302311731			311-LO PROFILE-WHITE-SLOW CLOSE w/hand spray			124
302311733			311-LO PROFILE-BONE-SLOW CLOSE w/hand spray			
302311621		311	311-LO PROFILE-WHITE-WOOD SEAT	7272		125
302311623			311-LO PROFILE-BONE-WOOD SEAT			
302311721			311-LO PROFILE-WHITE-WOOD SEAT w/hand spray			126
302311723			311-LO PROFILE-BONE-WOOD SEAT w/hand spray			

320 Toilet Series ★


Item	Model	Description	Ref. List #	Page	
302320021	320	320-TALL-WHITE	7276	127	
302320023		320-TALL-BONE			
302320121		320-TALL-WHITE w/hand spray		128	
302320123		320-TALL-BONE w/hand spray			
302321621	321	321-LOW PROFILE-WHITE	6657	129	
302321623		321-LOW PROFILE-BONE			
302321721		321-LOW PROFILE-WHITE w/hand spray		130	
302321723		321-LOW PROFILE-BONE w/hand spray			

All China Toilets ▼ VacuFlush


4500 Toilet Series ★ Moderno

Item	Model	Description	Ref. List #	Page	
317450915	4509	4509-SLCP/12V/-----/SP/WHT	7520	131	 <p>4500/8500 dimensions can be found on page 8 of this index.</p>
317450917		4509-SLCP/24V/-----/SP/WHT			
317450951		4509-BDSC/12V/-----/SP/WHT			
317450952		4509-BDSC/24V/-----/SP/WHT			
317454815	4548	4548-SLCP/12V/-----/SP/WHT	7516	132	
317454817		4548-SLCP/24V/-----/SP/WHT			
317454851		4548-BDSC/12V/-----/SP/WHT			
317454852		4548-BDSC/24V/-----/SP/WHT			

4600 Toilet Series ★ (Straight back)


Item	Model	Description	Ref. List #	Page	
*317463131	4606	4606-TF/SC/SP/S /--/12/--/WHT OBSOLETE	6661	133	 <p>4600/8600 dimensions can be found on page 9 of this index.</p>
*317463141		4606-TF/SC/SP/S /--/24/--/WHT OBSOLETE			
*317463133		4606-TF/SC/SP/S /--/12/--/BONE OBSOLETE			
*317463143		4606-TF/SC/SP/S /--/24/--/BONE OBSOLETE			
317463231	4609	4609-TF/SC/SP/T /--/12/--/WHT	6659	134	
317463241		4609-TF/SC/SP/T /--/24/--/WHT			
*317463233		4609-TF/SC/SP/T /--/12/--/BONE OBSOLETE			
*317463243		4609-TF/SC/SP/T /--/24/--/BONE OBSOLETE			
317466231	4648	4648-RO/SC/SP/T /--/12/--/WHT	6660	135	
317466241		4648-RO/SC/SP/T /--/24/--/WHT			
*317466233		4648-RO/SC/SP/T /--/12/--/BONE OBSOLETE			
*317466243		4648-RO/SC/SP/T /--/24/--/BONE OBSOLETE			

4700 Toilet Series ★ Concerto Style


Item	Model	Description	Ref. List #	Page		
317472251	4709	4709-TF/WS/SP/T /FH/12/CH/WHT	6485	136	 <p>4700/8700 dimensions can be found on page 10 of this index.</p>	
317472281		4709-TF/WS/SP/T /FH/24/CH/WHT				
317472253		4709-TF/WS/SP/T /FH/12/CH/BONE				
317472283		4709-TF/WS/SP/T /FH/24/CH/BONE				
317472231		4748	4709-TF/WS/SP/T /--/12/--/WHT	6468		137
317472241			4709-TF/WS/SP/T /--/24/--/WHT			
317472233			4709-TF/WS/SP/T /--/12/--/BONE			
317472243			4709-TF/WS/SP/T /--/24/--/BONE			
317475251	4748	4748-RO/WS/SP/T /FH/12/CH/WHT	6487	138		
317475281		4748-RO/WS/SP/T /FH/24/CH/WHT				
317475253		4748-RO/WS/SP/T /FH/12/CH/BONE				
317475283		4748-RO/WS/SP/T /FH/24/CH/BONE				
317475231		4748	4748-RO/WS/SP/T /--/12/--/WHT	6486	139	
317475241			4748-RO/WS/SP/T /--/24/--/WHT			
317475233			4748-RO/WS/SP/T /--/12/--/BONE			
317475243			4748-RO/WS/SP/T /--/24/--/BONE			

All China Toilets ▼ VacuFlush


4800 Toilet Series ★ (Angle back)

Item	Model	Description	Ref. List #	Page	 <p>4800/8900 dimensions can be found on page 11 of this index.</p>
317148061	4806	VACUFLUSH 4806-12/WHITE	5372	140	
317248061		VACUFLUSH 4806-24/WHITE			
317148063		VACUFLUSH 4806-12/BONE			
317248063		VACUFLUSH 4806-24/BONE			
317148091	4809	VACUFLUSH 4809-12/WHITE	5373	141	
317248091		VACUFLUSH 4809-24/WHITE			
317148093		VACUFLUSH 4809-12/BONE			
317248093		VACUFLUSH 4809-24/BONE			
317148481	4848	VACUFLUSH 4848-12/WHITE	5374	142	
317248481		VACUFLUSH 4848-24/WHITE			
317148483		VACUFLUSH 4848-12/BONE			
317248483		VACUFLUSH 4848-24/BONE			


3000 Toilet Series ★ **Obsolete**

Item	Model	Description	Ref. List #	Page	
*317130601	3006	MAGNUM OPUS 3006 WHITE OBSOLETE	4850	143	
*317130603		MAGNUM OPUS 3006 BONE OBSOLETE			
*317330801	3008	MAGNUM OPUS 3008 WHITE OBSOLETE	4851	144	
*317330803		MAGNUM OPUS 3008 BONE OBSOLETE			
*317330901	3009	MAGNUM OPUS 3009 WHITE OBSOLETE	4849	145	
*317330903		MAGNUM OPUS 3009 BONE OBSOLETE			
*317334801	3048	MAGNUM OPUS 3048 WHITE OBSOLETE	4988	146	
*317334803		MAGNUM OPUS 3048 BONE OBSOLETE			
*317131091	3109	MAGNUM OPUS 3109 WHITE OBSOLETE	4988	147	
*317131093		MAGNUM OPUS 3109 BONE OBSOLETE			
*317131481	3148	MAGNUM OPUS 3148 WHITE OBSOLETE	4988	147	
*317131483		MAGNUM OPUS 3148 BONE OBSOLETE			

3300 - 3400 Toilet Series ★ **Obsolete**


Item	Model	Description	Ref. List #	Page	
*317093091	3309	VACUFLUSH 3309 OBSOLETE	5052	148	
*317093481	3348	VACUFLUSH 3348 OBSOLETE		149	
*317034091	3409	VACUFLUSH 3409 OBSOLETE	5053	150	
*317034481	3448	VACUFLUSH 3448 OBSOLETE		151	

3600 Toilet Series ★ **Obsolete**

Item	Model	Description	Ref. List #	Page	
*317236061	3606	VACUFLUSH 3606 WHITE OBSOLETE	5043	152	
*317236091	3609	VACUFLUSH 3609 WHITE OBSOLETE	5442	153	
*317236481	3648	VACUFLUSH 3648 WHITE OBSOLETE	4902	154	
*317236261	3626	VACUFLUSH 3626 WHITE BIDET/TOILET COMBO OBSOLETE	5832	155	


VacuFlush Bidet Combo All China Toilets ▼

4800 Toilet & Bidet Series ★ (Angle back)


317483331	4826	4826-TF/SC/SP/SC/--/12/--/WHT OBSOLETE	6413	156	
317483341		4826-TF/SC/SP/SC/--/24/--/WHT OBSOLETE			
317483431	4828	4828-RO/SC/SP/TC/--/12/--/WHT OBSOLETE	6470	157	
317483441		4828-RO/SC/SP/TC/--/24/--/WHT OBSOLETE			
317486431	4829	4829-TF/SC/SP/TC/--/12/--/WHT	6471	158	
317486441		4829-TF/SC/SP/TC/--/24/--/WHT			

2 pc. Toilets ▼ VacuFlush

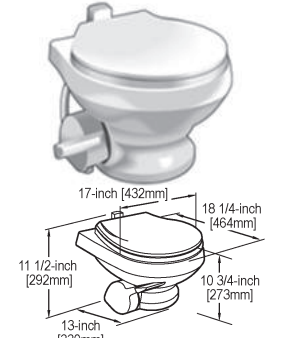
100 Toilet Series ★ EcoVac

Item	Model	Description	Ref. List #	Page				
317014601	146	146-TL/TFEV/SPK-WHITE	5272	159				
317014603		146-TL/TFEV/SPK-BONE						
317014701	147	ECOVAC 147 WHT						
317014703		ECOVAC 147 BONE						
317014801	148	ECOVAC 148 WHT						
317014803		ECOVAC 148 BONE						
317014901	149	ECOVAC 149-WHITE						
317014903		ECOVAC 149-BONE						
*317015701	157	ECOVAC 157-WHITE OBSOLETE				5396	160	
*317015703		ECOVAC 157-BONE OBSOLETE						
*317015801	158	ECOVAC 158-WHITE OBSOLETE						
*317015803		ECOVAC 158-BONE OBSOLETE						
*317016801	159	ECOVAC 168-WHITE OBSOLETE	5039	161				

500 Toilet Series ★

Item	Model	Description	Ref. List #	Page	
317850601	506	VACUFLUSH 506+ WHT	4921	162	 <p>500 dimensions can be found on page 13 of this index.</p>
317850603		VACUFLUSH 506+ BONE			
*317850606		VACUFLUSH 506+ PLT OBSOLETE			
317850608		VACUFLUSH 506+ EBYP			
317850801	508	VACUFLUSH 508+ WHT	4917	163	
317850803		VACUFLUSH 508+ BONE			
317450901	509	VACUFLUSH 509+ WHT	4916	164	
317450903		VACUFLUSH 509+ BONE			
317854701	547	VACUFLUSH 547+ WHITE	3034	165	
317854703		VACUFLUSH 547+ BONE			
*317854706		VACUFLUSH 547+ PLT OBSOLETE			
317854708		VACUFLUSH 547+ EBYP			
317854801	548	VACUFLUSH 548+ WHT	4918	166	
317854803		VACUFLUSH 548+ BONE			
*317854806		VACUFLUSH 548+ PLT OBSOLETE			
317854808		VACUFLUSH 548+ EBYP			
317056801	568	VACUFLUSH 568 BONE	7189	167	

700 Toilet Series ★


Item	Model	Description	Ref. List #	Page	
317470601	706	VACUFLUSH 706 WHT	3933	168	
317470603		VACUFLUSH 706 BONE			
317470611		VACUFLUSH 706 WHT-SHORT PEDAL	6582	169	
317470901	709	VACUFLUSH 709 WHITE	4711	170	
317470903		VACUFLUSH 709 BONE			
317074801	748	VACUFLUSH 748 WHITE	4485	171	
317074803		VACUFLUSH 748 BONE			
317074901	749	VACUFLUSH 749 WHITE			
317074903		VACUFLUSH 749 BONE			

1548 Toilet Series ★


Item	Model	Description	Ref. List #	Page	
317154801	1548	VACUFLUSH 1548 WHITE	4563	172	OBSOLETE
317570603	5700	VACUFLUSH 5706 BONE	4964	173	OBSOLETE
317574803		VACUFLUSH 5748 BONE	5295	174	OBSOLETE

2 pc. Toilets ▼ VacuFlush


800 Toilet Series ★ **Obsolete**

Item	Model	Description	Ref. List #	Page	
*317480601	806	VACUFLUSH 806 WHITE OBSOLETE	4138	175	
*317480601		VACUFLUSH 806 BONE OBSOLETE			
*317480801	808	VACUFLUSH 808 WHITE OBSOLETE		176	
*317480803		VACUFLUSH 808 BONE OBSOLETE			
*317484701	847	VACUFLUSH 847 WHITE OBSOLETE		176	
*317484703		VACUFLUSH 847 BONE OBSOLETE			
*317484801	848	VACUFLUSH 848 WHITE OBSOLETE		176	
*317484803		VACUFLUSH 848 BONE OBSOLETE			


1000 Toilet Series ★ **Obsolete**

Item	Model	Description	Ref. List #	Page		
*317100601	1006	VACUFLUSH 1006 WHITE OBSOLETE	4922	177		
*317100603		VACUFLUSH 1006 BONE OBSOLETE				
*317100801	1008	VACUFLUSH 1008 WHITE OBSOLETE		177		
*317100803		VACUFLUSH 1008 BONE OBSOLETE				
*317104701	1047	VACUFLUSH 1047 WHITE OBSOLETE		177		
*317104703		VACUFLUSH 1047 BONE OBSOLETE				
*317104801	1048	VACUFLUSH 1048 WHITE OBSOLETE		177		
*317104803		VACUFLUSH 1048 BONE OBSOLETE				
*317104901	1049	VACUFLUSH 1049 WHITE OBSOLETE		177		
*317104903		VACUFLUSH 1049 BONE OBSOLETE				
*317110601	1106	VACUFLUSH 1106 WHITE OBSOLETE		4828		178
317110603		VACUFLUSH 1106 BONE				
*317114801	1148	VACUFLUSH 1148 WHITE OBSOLETE		5276		179
*317114803		VACUFLUSH 1148 BONE OBSOLETE				

5000 Toilet Series ★

Item	Model	Description	Ref. List #	Page	 5000 dimensions can be found on page 13 of this index.			
317500601	5006	VACUFLUSH 5006-WHITE	4843	180				
317500603		VACUFLUSH 5006-BONE						
317500801	5008	VACUFLUSH 5008-WHITE	5429	181				
317500803		VACUFLUSH 5008-BONE						
317500901	5009	VACUFLUSH 5009-WHITE	4841	182				
317500903		VACUFLUSH 5009-BONE						
317504701	5047	VACUFLUSH 5047-WHITE	4844	183				
317504703		VACUFLUSH 5047-BONE						
317504801	5048	VACUFLUSH 5048-WHITE				183		
317504803		VACUFLUSH 5048-BONE						
317504901	5049	VACUFLUSH 5049-WHITE				183		
317504903		VACUFLUSH 5049-BONE						
317514601	5146	VACUFLUSH 5146-WHITE				4842	184	
317514603		VACUFLUSH 5146-BONE						
317514701	5147	VACUFLUSH 5147-WHITE						184
317514703		VACUFLUSH 5147-BONE						
317514801	5148	VACUFLUSH 5148-WHITE						184
317514803		VACUFLUSH 5148-BONE						
317514901	5149	VACUFLUSH 5149-WHITE			184			
317514903		VACUFLUSH 5149-BONE						

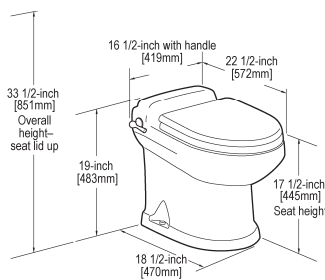
600 Toilet Series ★ **Obsolete**

Item	Model	Description	Ref. List #	Page	 SHORT Bowl-Lite Base-Reg Short TALL Bowl-Lite Base-EVac	
*317060601	606	VACUFLUSH 606 - WHITE OBSOLETE	4464	185		
*317060603		VACUFLUSH 606 - BONE OBSOLETE				
*317064701	647	VACUFLUSH 647 - WHITE OBSOLETE				185
*317064703		VACUFLUSH 647 - BONE OBSOLETE				
*317064801	648	VACUFLUSH 648 - WHITE OBSOLETE				185
*317064803		VACUFLUSH 648 - BONE OBSOLETE				

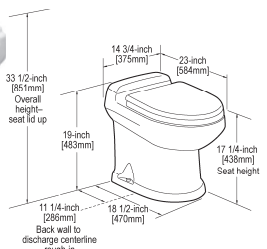
All China Toilets ▼ RushFlush

9300 - 9400 - 9600 - 9800 Toilet Series ★

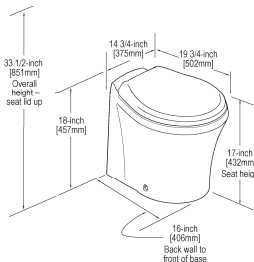
Item	Model	Description	Color	Voltage	Ref. List #	Page				
330931111	9300	RUSHFLUSH 9300 THRU FLOOR DISCHARGE Handle Flush	White/Chrome	12	6749	186				
330931113			White/Nickel							
330931131			Bone/Chrome							
330931133			Bone/Nickel							
330932111			White/Chrome	24						
330932113			White/Nickel							
330932131			Bone/Chrome							
330932133			Bone/Nickel							
330934001		RUSHFLUSH 9340-TT/SP/AB/24/FHC/SP/BNE/X	Bone/Chrome							
330933111		RUSHFLUSH 9300 ABOVE FLOOR DISCHARGE Handle Flush	White/Chrome	12	6797	187				
330933113			White/Nickel							
330933131			Bone/Chrome							
330933133			Bone/Nickel							
330934111			White/Chrome	24						
330934113	White/Nickel									
330934131	Bone/Chrome									
330934133	Bone/Nickel									
330941110	9400	RUSHFLUSH 9400 THRU FLOOR DISCHARGE Touch Pad Flush	White	12	6798	188				
330941130			Bone							
330942110			White	24						
330942130			Bone							
330943110		RUSHFLUSH 9400 ABOVE FLOOR DISCHARGE Touch Pad Flush	White	12	6799	189				
330943130			Bone							
330944110			White							
330944130			Bone	24						
*330964001			RUSHFLUSH 9640-TT/SP/AB/24/TPB/SP/BONE/X OBSOLETE				Bone	24	6910	190
330964002			RUSHFLUSH 9640-TT /SP/AB/24/TPB/SP/WHT/X OBSOLETE				White			
330984001	RUSHFLUSH 9840-TT /SP/AB/24/TPB/SP/BNE/X	Bone	7173	191						
330984002	RUSHFLUSH 9840-TT /SP/AB/24/TPB/SP/WHT/X OBSOLETE	White								
330984201	RUSHFLUSH 9842-SLCP/24V/DFTP-/SP/WHITE/X	White		7470	192					
330984202	RUSHFLUSH 9842-SLCP/24V/DFTP-/SP/BONE/X	Bone								



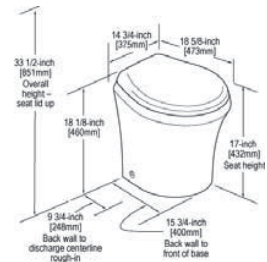
9300 Series



9400 Series



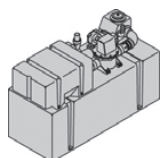
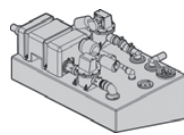
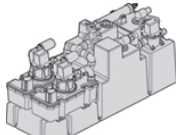
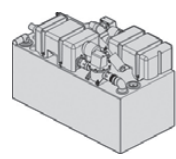
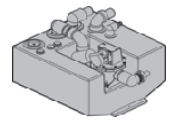
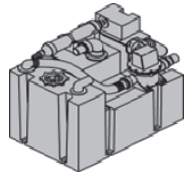

9600 Series



9800 Series

Vacuum Systems ▼ Vacuum Sources

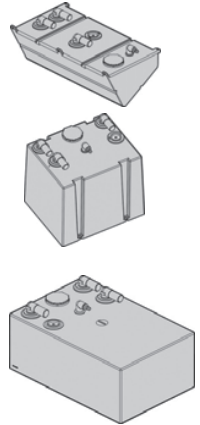
CVT ★ Cassette Vacuum Tank Obsolete					
Item	Model	Description	Ref. List #	Page	
*326002510	CVT2510	CASSETTE VACUUM TANK 2510 OBSOLETE	4941	193	
*326002520	CVT2520	CASSETTE VACUUM TANK 2520 OBSOLETE	5065	194	
*326002521	CVT2521	CASSETTE VACUUM TANK 2521 OBSOLETE			
VHT ★ Vacuum Holding Tank					
Item	Model	Description	Ref. List #	Page	
317769012	VHT12	VHT 12 FULL RELAY	4829	195	
317769212		VHT 3/4 FULL RELAY	4831	196	
VHT 4500 ★ Vacuum Holding Tank					
Item	Model	Description	Ref. List #	Page	
317704501	VHT4501	VT4501-STRAIGHT DIS'G	6277	197	
317704502	VHT4502	VT4502-ELBOW DIS'G	7198	198	
317704511	VHT4511	VT4511-T12/SWIVEL DIS'G	6278	199	
SailVac 5200 ★ Vacuum Holding Tank					
Item	Model	Description	Ref. List #	Page	
317705200	VHT5200	VHT 5200 - 3/4-FULL-RELAY	6600	200	
VG Vacuum Generators ★					
Item	Model	Description	Ref. List #	Page	
317759012	VG	VG12	4995	201	
317759024		VG24			
317770012	VGLP	VGLP12	4990	202	
317770024		VGLP/W24			
317780012	VG4	VG4/JW12-STANDARD	5109	203	
317780024		VG4/JW24-STANDARD			
VT Vacuum Tank ★					
Item	Model	Description	Ref. List #	Page	
317729100	VT	ACCUMULATOR TANK	6253	204	
Vacuum Pumps ★					
Item	Model	Description	Ref. List #	Page	
317201200	S12	PUMP SW12	4820	205	
317202400	S24	PUMP SW24			
317511500	M115	PUMP M115/230 1/2H 30:1 TEFC60	6575	206	
317501200	M12	PUMP M12-1/2HP 30:1			
317502400	M24	PUMP M24-1/2HP 30:1			
Holding Tank System ▼ Accessories					
Discharge Pumps & SaniSumps ★					
Item	Model	Description	Ref. List #	Page	
317301200	T12	PUMP TW12	0678	207	
317302400	T24	PUMP TW24			
314115012	SS	SANI SUMP-12 1-1/2" IN	3929	208	
314115024		SANI SUMP-24 1-1/2" IN			

Holding Tank Systems ▼ VG & T MODELS					
Holding Tank Systems ▼ VG Models					
Item	Model	Description	Ref. List #	Page	
322711012	10HTS-VG	HTS 10 LPVG12/DTM04	5296	209	
322101024		HTS 10-LPVG24/DTM04			
*320101003		HTS 10-DTM04/15' HARNESS OBSOLETE			
*322101012		HTS 10 LPVG12/DTM04 OBSOLETE			
319009001		OEM KIT, 10 HTS/T12-PROLINE			
322711812	18HTS-VG	HTS 18 VG412/DTM04	6664	210	
322011824		HTS 18-VG4J24/DTM04			
322702112	21HTS-VG	HTS 21-VG4JW12/T12/DTM04	5121	211	
322702124		HTS 21-VG4J24/T24/DTM04			
322712712	27HTS-VG	HTS 27 LPVG12/T12/DTM04	7219	212	
322712724		HTS 27 LPVG24/T24/DTM04			
*322722712		HTS 27 LPVG12/DTM04 OBSOLETE	6298	213	
*322722724		HTS 27 LPVG24/DTM04 OBSOLETE			
322712812	28HTS-VG	HTS 28+ VG12/T/DTM04	5032	214	
322712824		HTS 28+ VG24/T/DTM04			
322722812	28HTS-VG HULL	HTS 28 HULL-LPVG12/T/DTM04	5072	215	
322722824		HTS 28 HULL-LPVG24/T/DTM04			
322713512	35HTS-VG	HTS 35-LPVG12/T/DTM04	5300	216	
322013524		HTS 35/LPVG24/T24/DTM04			
322703912	39HTS-VG	HTS 39-VG4JW12/T12/DTM04	5626	217	
322703924		HTS 39-VG4J24/T/DTM04			
322714012	40HTS-VG	HTS 40 VG412/T/DTM04	5226	218	
322714024		HTS 40 VG4J24/T/DTM04			
322714212	42HTS-VG	HTS 42-VG4/T12/DTM04	5637	219	
322014224		HTS 42-VG4/T24/DTM04			
322715512	55HTS-VG	HTS 55-VGLP12/T/DTM04	5108	220	
322715524		HTS 55-VGLP24/T/DTM04			
322718012	80HTS-VG	HTS 80-LPVG12/T/DTM04	5633	221	
322718024		HTS 80-LPVG24/T/DTM04			
Holding Tank Systems ▼ T Models					
Item	Model	Description	Ref. List #	Page	
322721012	10HTS-T	HTS 10 HULL-T12/DTM04	5054	222	
322721024		HTS 10 HULL-T24/DTM04			
322002800	28HTS-T	HTS 28	7200	223	
322202800		HTS 28 W/DEUTSCH			
322012800		HTS 28 DTM04 PANEL	7199	224	
322002812		HTS 28 T12	5706	225	
322012812		HTS 28 DTM04/T12	5164	226	
322012824		HTS 28-DTM04/T24			
*322004012	40HTS-T	HTS 40 T12 OBSOLETE	6517	227	
322004024		HTS 40 TW24			
322014012		HTS 40-DTM04/12VDC			
322014024		HTS 40-DTM04/24VDC			
*322004000		HTS 40 OBSOLETE			
322014000	HTS 40-DTM04 PANEL				

Holding Tank Systems ▼ BASIC

Holding Tank Systems ▼ Basic Models

Item	Model	Description	Ref. List #	Page
322840122	12HTS-VRT	HD TANK 12 VRT-BASIC	4868	230
322840121	12HTS-HRZ	HD TANK 12 HRZ-BASIC		231
*322800121	12HTS-HL	HD TANK 12G HULL-BASIC OBSOLETE	5095	232
322840152	15HTS-VRT	HD TANK 15 VRT-BASIC	4980	233
322840151	15HTS-HRZ	HD TANK 15 HRZ-BASIC	4869	234
322840202	20HTS-VRT	HD TANK 20 VRT-BASIC	4870	235
322840201	20HTS-HRZ	HD TANK 20 HRZ-BASIC		236
322800251	25HTS-HRZ	HD TANK 25 HRZ-BASIC	5055	237
322800281	28HTS-HL	HD TANK 28 HULL-BASIC	5092	238
322840301	30HTS-HRZ	HD TANK 30 HRZ-BASIC	4871	239
322800351	35HTS-HL	HD TANK 35 HULL-BASIC	5096	240
322840401	40HTS-HRZ	HD TANK 40 HRZ-BASIC	4872	241
322850501	50HTS-VRT-HL	HD TANK 50 VRT HULL-BASIC	5097	242
322850502	50HTS-HRZ-HL	HD TANK 50 HRZ HULL-BASIC	5098	243
322840551	55HTS-HRZ	HD TANK 55 HRZ-BASIC	4873	244
322800801	80HTS-HRZ	HD TANK 80 HULL-BASIC	5163	245



Holding Tank Systems ▼ All

Holding Tank Systems ▼ DHT-L Models

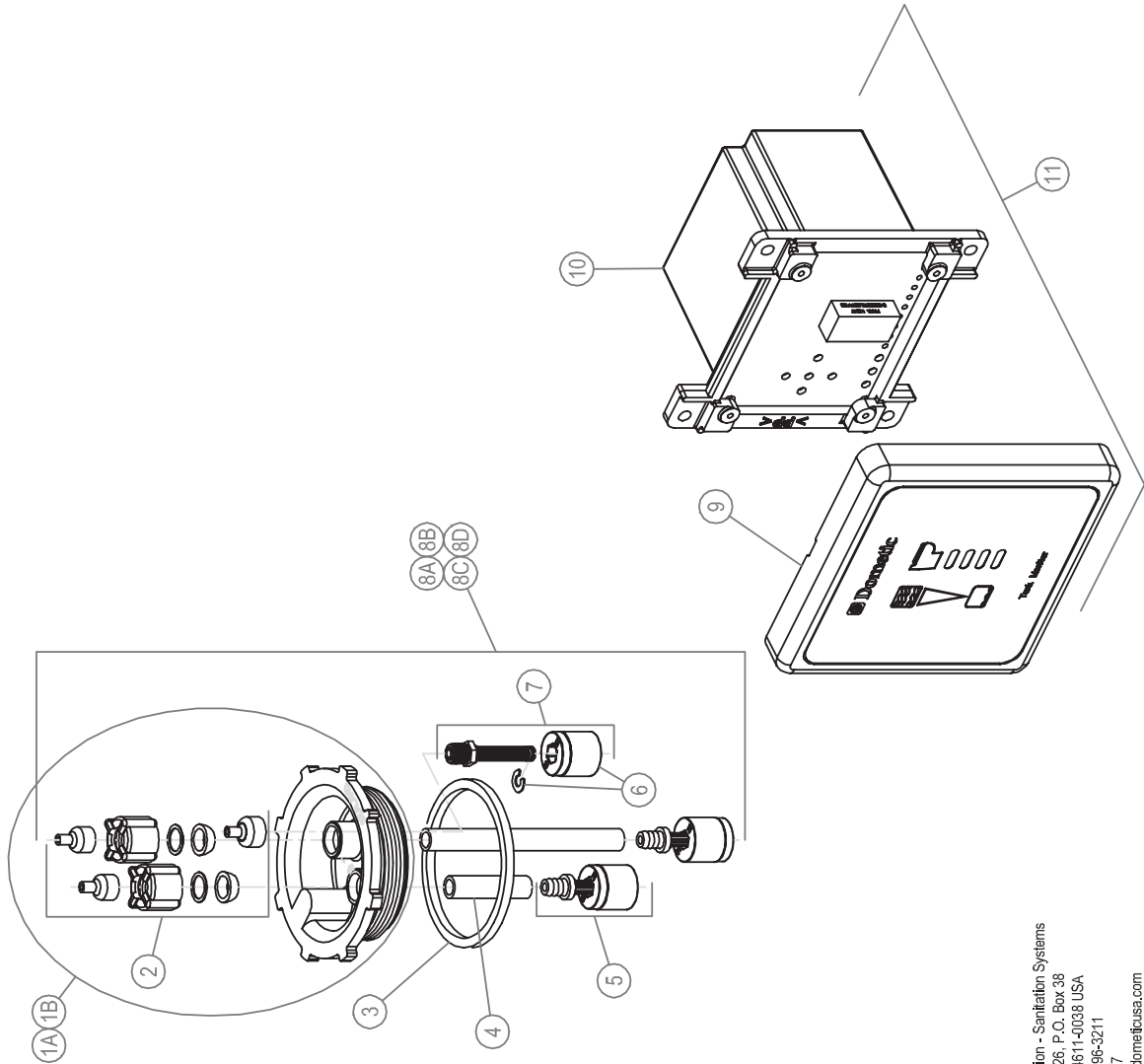
Item	Model	Description	Ref. List #	Page
322601101	DHT42L	HD TANK-EU 42L/11G W/CAP	6052	246-47
322601601	DHT61L	HD TANK-EU 61L/16G W/CAP		
322602301	DHT88L	HD TANK-EU 88L/23G W/CAP		
322602901	DHT110L	HD TANK-EU 110L/29G W/CAP		
322603601	DHT137L	HD TANK-EU 137L/36G W/CAP		
322601103	DHT42L	HD TANK-EU 42L/11G TK FULL	7374	248
322601602	DHT61L	HD TANK-EU 61L/16G /DT/D04/DTD/H	6997	249
322601603		HD TANK-EU 61L/16G /DT/D04/DTD		
322601604		HD TANK-EU 61L/16G /DT/D04/DTD/HR		



P/N: 600346527
REV.: 10/11

PARTS LIST: DTM04; DMT08; DTM12 MODELS

ITEM	PART NUMBER & DESCRIPTION
1A	385311765 TW CAP ASSEMBLY w/VENT
1B	385311766 TW CAP ASSEMBLY w/o VENT
2	385310258 COMPRESSION NUT KIT
3	385311250 TW CAP O'RING REPLACEMENT
4	385230930 22" FLEX PROBE KIT
5	385310758 BARBED STEM/FLOAT REPLACEMENT
6	385311103 TANK LEVEL FLOAT & LOCK RING
7	385230268 THREADED STEM/FLOAT REPLACEMENT
8A	313000350 TW CAP COMPLETE w/VENT
8B	313000355 TW CAP COMPLETE w/o VENT
8C	313000345 TW CAP COMPLETE w/VENT 45" PROBES
8D	313000346 TW CAP COMPLETE w/o VENT 45" PROBES
9	385311477 PANEL COVER DTM04 - BLACK 385311478 PANEL COVER DTM04 - WHITE 385311479 PANEL COVER DTM08 - BLACK 385311480 PANEL COVER DTM08 - WHITE 385311481 PANEL COVER DTM12 - BLACK 385311482 PANEL COVER DTM12 - WHITE
10	385311483 CIRCUIT BOARD PANEL - DTM04 385311484 CIRCUIT BOARD PANEL - DTM08 385311485 CIRCUIT BOARD PANEL - DTM12
11	313604401 DTM04 PANEL ONLY - BLACK 313604411 DTM04 PANEL ONLY - WHITE 313608401 DTM08 PANEL ONLY - BLACK 313608411 DTM08 PANEL ONLY - WHITE 313612401 DTM12 PANEL ONLY - BLACK 313612411 DTM12 PANEL ONLY - WHITE
NOT SHOWN	385311579 12VDC SHUTDOWN RELAY KIT (DTM04 ONLY) 385311580 24VDC SHUTDOWN RELAY KIT (DTM04 ONLY)

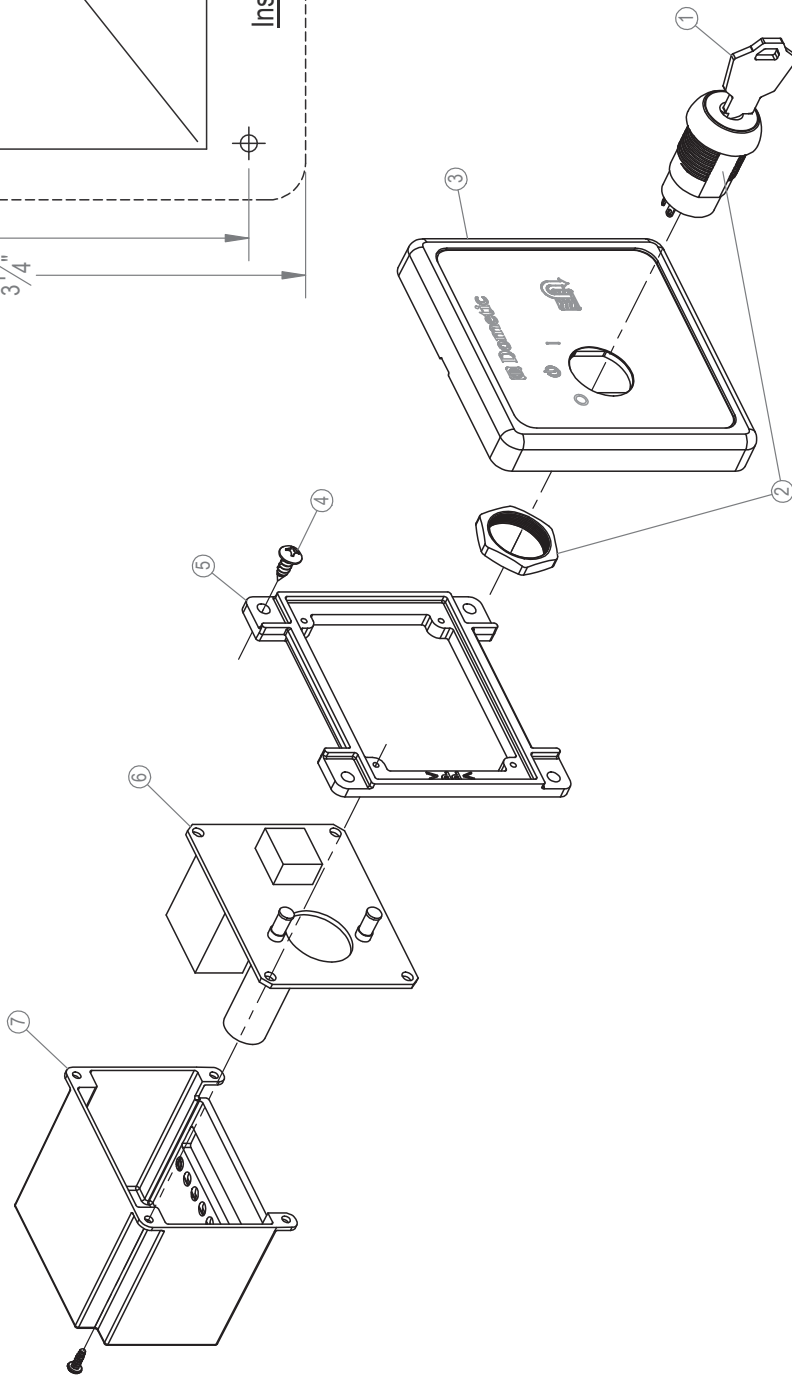
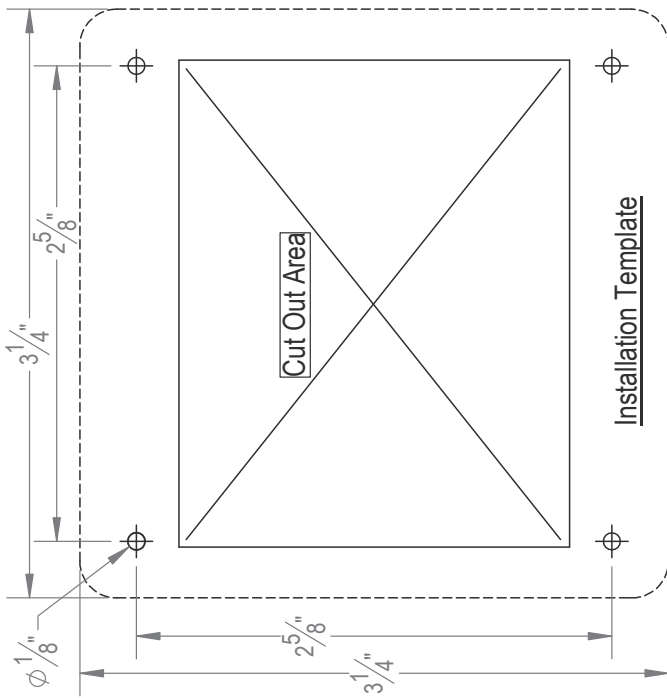


Domestic Corporation - Sanitation Systems
13128 State Rt. 226, P.O. Box 38
Big Prairie, OH 44611-0038 USA
Telephone: 330-496-3211
Fax: 330-496-3097
Email: sealand@domesticusa.com

P/N: 600346020
REV.: 01-08/13

PARTS LIST: DTD-M TANK DISCHARGE CONTROL (313814501)

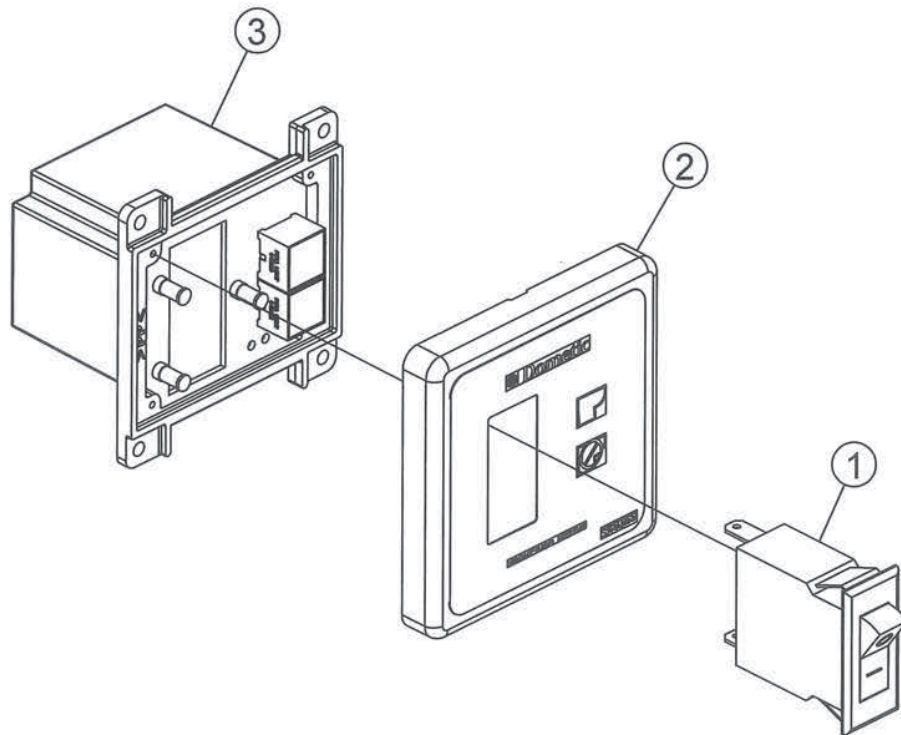
ITEM	PART NUMBER & DESCRIPTION
1	385311036 - REPLACEMENT KEY
2	385311974 - SWITCH ASSEMBLY
3	385311975 - PANEL COVER
4	385311612 - MOUNTING HARDWARE
5	385311613 - MOUNTING FRAME
6	385311976 - CIRCUIT BOARD ASSEMBLY 12VDC
7	385311616 - CIRCUIT BOARD ASSEMBLY HOUSING



Dometic Corporation - Sanitation Systems
13128 State Rt. 226, P.O. Box. 38
Big Prairie, OH 44611-0038 USA
Telephone: 330-439-5550
Fax: 330-496-3097
Email: sealand@dometicusa.com

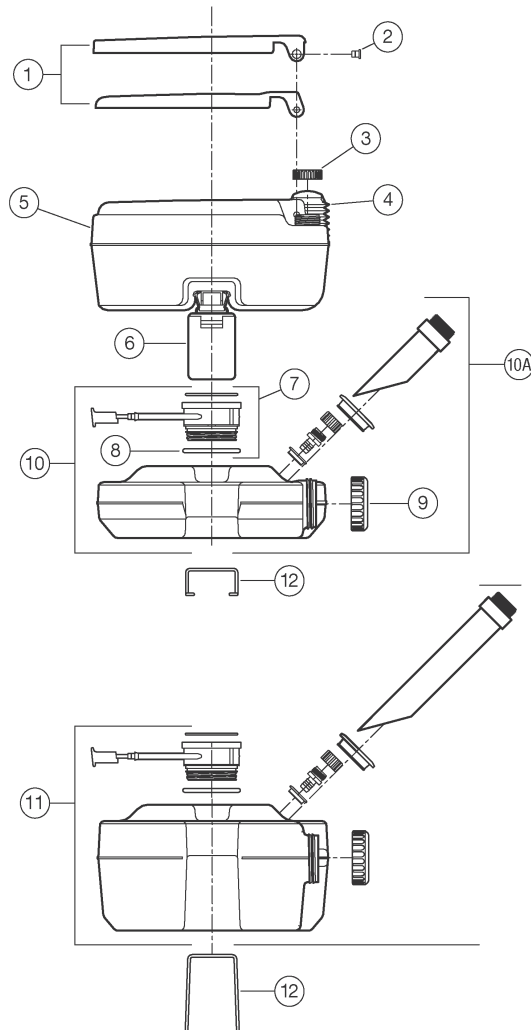
PARTS LIST: DVSO2

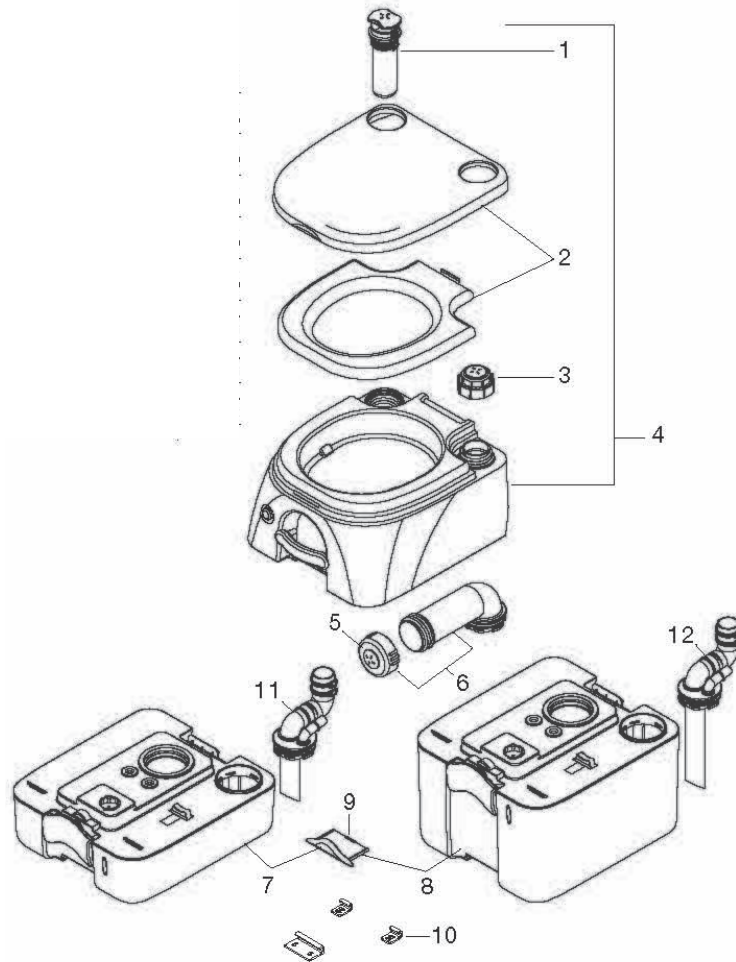
ITEM	PART NO.	DESCRIPTION
1	385311785	KIT, CIRCUITBREAKER 10 AMP
	385311786	KIT, CIRCUITBREAKER 5 AMP
2	385311787	KIT, BEZEL/OVERLAY BLK-DVSO2
	385311788	KIT, BEZEL/OVERLAY WHT-DVSO2
3	385311789	KIT, C'BOARD 12VDC-DVSO2
	385311790	KIT, C'BOARD 24VDC-DVSO2



PARTS LIST - 960 Series Portable Toilet

NO.	USA	DESCRIPTION
1	385311520	Seat lid and seat – parchment
	385311521	Seat lid and seat – platinum
2	385310900	Seat hinge pin – white
	385310899	Seat hinge pin – parchment
3	385310102	Water cap – parchment
	385310103	Water cap – platinum
4	385310104	Bellows assembly – parchment
	385310105	Bellows assembly – platinum
5	385230374	2.6-gal. (9.8 l) freshwater tank assembly – parchment (items 1 - 5)
	385230375	2.6-gal. (9.8 l) freshwater tank assembly – platinum (items 1 - 5)
6	385310066	Latch assembly – white
	385310067	Latch assembly – parchment
7	385239064	Slide valve assembly – white
8	385346401	Bottom O-ring
9	385310050	Waste tank cap – parchment
	385310031	Waste tank cap – platinum
10	385311522	2.5-gal. (9.5 l) wastewater tank assembly – parchment
	385311523	2.5-gal. (9.5 l) wastewater tank assembly – platinum
10A	385230376	2.5-gal. (9.5 l) 964MSD tank assembly – parchment
	385230377	2.5-gal. (9.5 l) 964MSD tank assembly – platinum
11	385311524	5.0-gal. (18.9 l) wastewater tank assembly – parchment
	385311525	5.0-gal. (18.9 l) wastewater tank assembly – platinum
11A	385230378	5.0-gal. (18.9 l) 965MSD tank assembly – parchment
	385230379	5.0-gal. (18.9 l) 965MSD tank assembly – platinum
12	385310018	Hold-down brackets – 2.5-gal. waste tank
	385310239	Hold-down brackets – 5.0-gal. waste tank

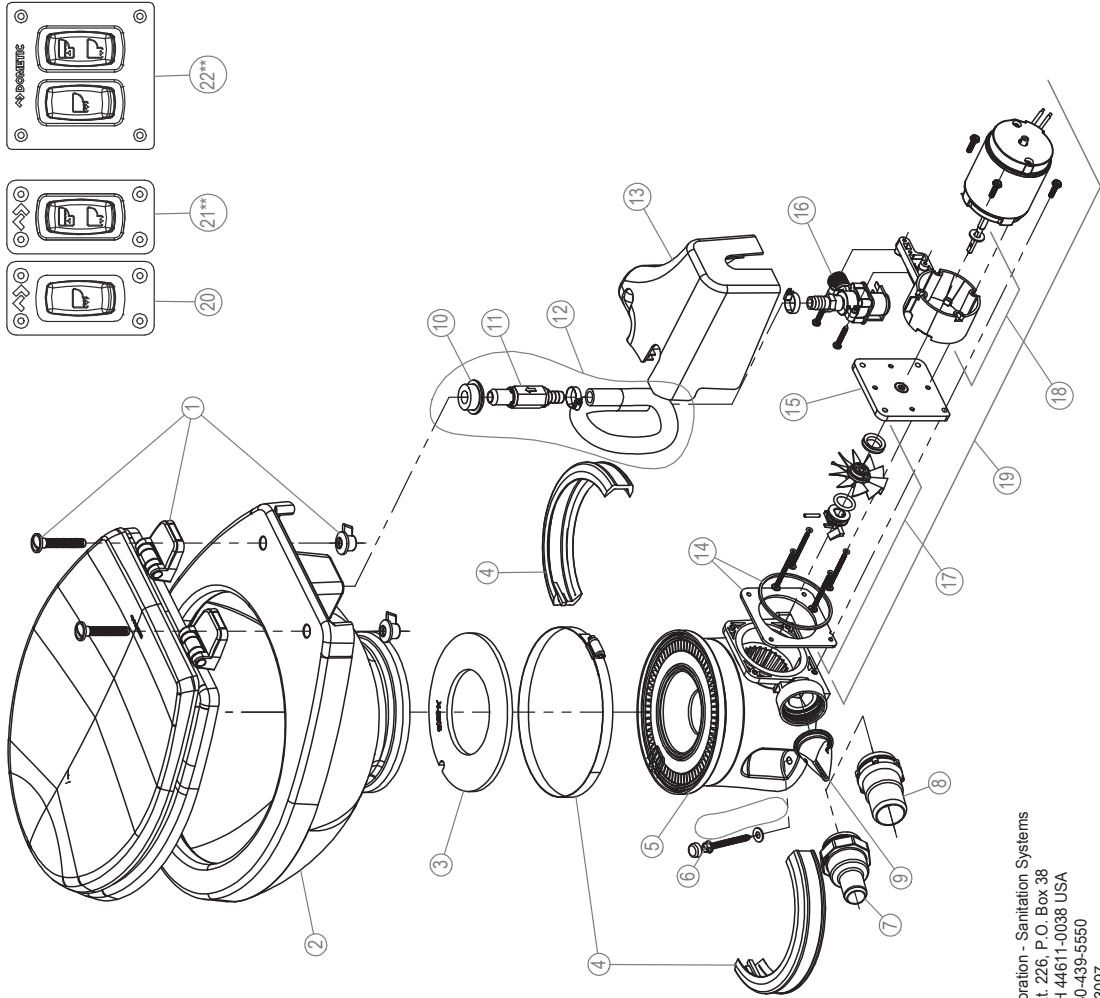




NO.	PART NUMBER	DESCRIPTION	
1	385311528	Air pump	
2	385311529	Seat cover and seat	
3	385311530	Water cap	
4	385311531	Bowl assembly	
5	385311532	Discharge spout cap	
6	385311533	Discharge spout assembly	972, 974, 975, 976
7	385311534	Holding tank assembly (tan)	2.6 gal./9.8 L - 972, 974, 974MSD
	385311535	Holding tank assembly (gray)	
8	385311536	Holding tank assembly (tan)	5.0 gal./18.9 L - 975, 975MSD, 976
	385311537	Holding tank assembly (gray)	
9	385311538	Locking handle (tan)	972, 974, 974MSD, 975, 975MSD, 976
	385311539	Locking handle (gray)	
10	385320005	Mounting brackets	974, 974MSD, 975, 975MSD
11	385320006	MSD fitting	974MSD
12	385320007	MSD fitting	975MSD

P/N: 600347002
REV.: 08-8/17

PARTS LIST: ORBIT 7120 STANDARD VERSION

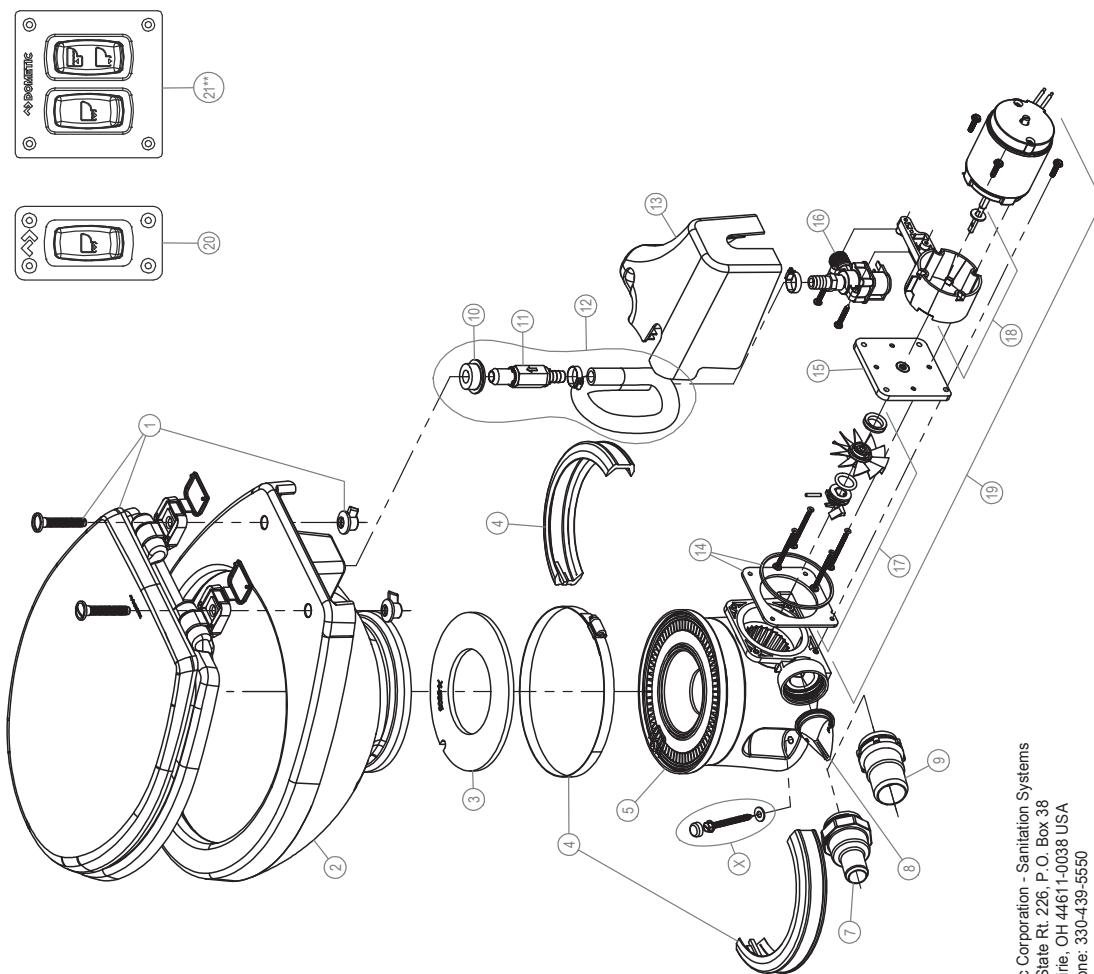


ITEM	PART NUMBER & DESCRIPTION
1	385343829 - SEAT/COVER - WHITE 385343831 - SEAT/COVER - BONE **Includes Mounting Hardware.
2	385311079 - BOWL KIT - WHITE 385311080 - BOWL KIT - BONE
3	385311979 - BOWL SEAL
4	385310025 - BOWL/BASE CLAMP KIT - WHITE 385310048 - BOWL/BASE CLAMP KIT - BONE
5	385311980 - BASE KIT - WHITE 385311981 - BASE KIT - BONE
6	385310679 - MOUNTING HARDWARE
7	385880072 - 1" VALVE ADAPTER
8	385311315 - 1-1/2" VALVE ADAPTER
9	385311620 - 1-1/2" CHECK VALVE
10	385311164 - 1/2" SEALING GROMMET
11	385311456 - BARBED CHECK VALVE REPLACEMENT **Includes Item 10.
12	385311984 - BOWL SUPPLY HOSE KIT - FRESH WATER **Includes Items 10; 11 & Clamps.
13	385311985 - 7000 SERIES PUMP/MOTOR COVER - WHITE 385311986 - 7000 SERIES PUMP/MOTOR COVER - BONE
14	385312033 - FLANGE GASKET REPLACEMENT KIT
15	385311987 - MOTOR MOUNTING PLATE **Includes all Pump Seals & Mounting Hardware.
16	385311851 - WATER VALVE KIT - 12vdc 385311852 - WATER VALVE KIT - 24vdc **Includes Mounting Screws & Clamps.
17	385311988 - MACERATOR BLADE REBUILD KIT **Includes Mounting Hardware.
18	385311992 - WATER VALVE MOUNTING SPACER KIT **Includes all Pump Seals.
19	385311995 - PUMP/MOTOR 12v REPLACEMENT-COMLETE 385311996 - PUMP/MOTOR 24v REPLACEMENT-COMLETE **Includes Items 14-17 & Clamps.
20	385311997 - DFS-1F FLUSH SWITCH PANEL **Includes Mounting Screws.
21**	385311998 - DFS-2F FLUSH SWITCH PANEL **Optional; Only Provided with 7120INT & 7220INT Models
22**	385311702 - DFST FLUSH SWITCH PANEL **Optional; not Provided with all Models.

Dometic Corporation - Sanitation Systems
13128 State Rt. 226, P.O. Box 38
Big Prairie, OH 44611-0038 USA
Telephone: 330-439-5550
Fax: 330-496-3097
Email: sealand@dometicus.com

P/N: 600347397
REV.: 01-08/17

PARTS LIST: ORBIT 7124 MODEL

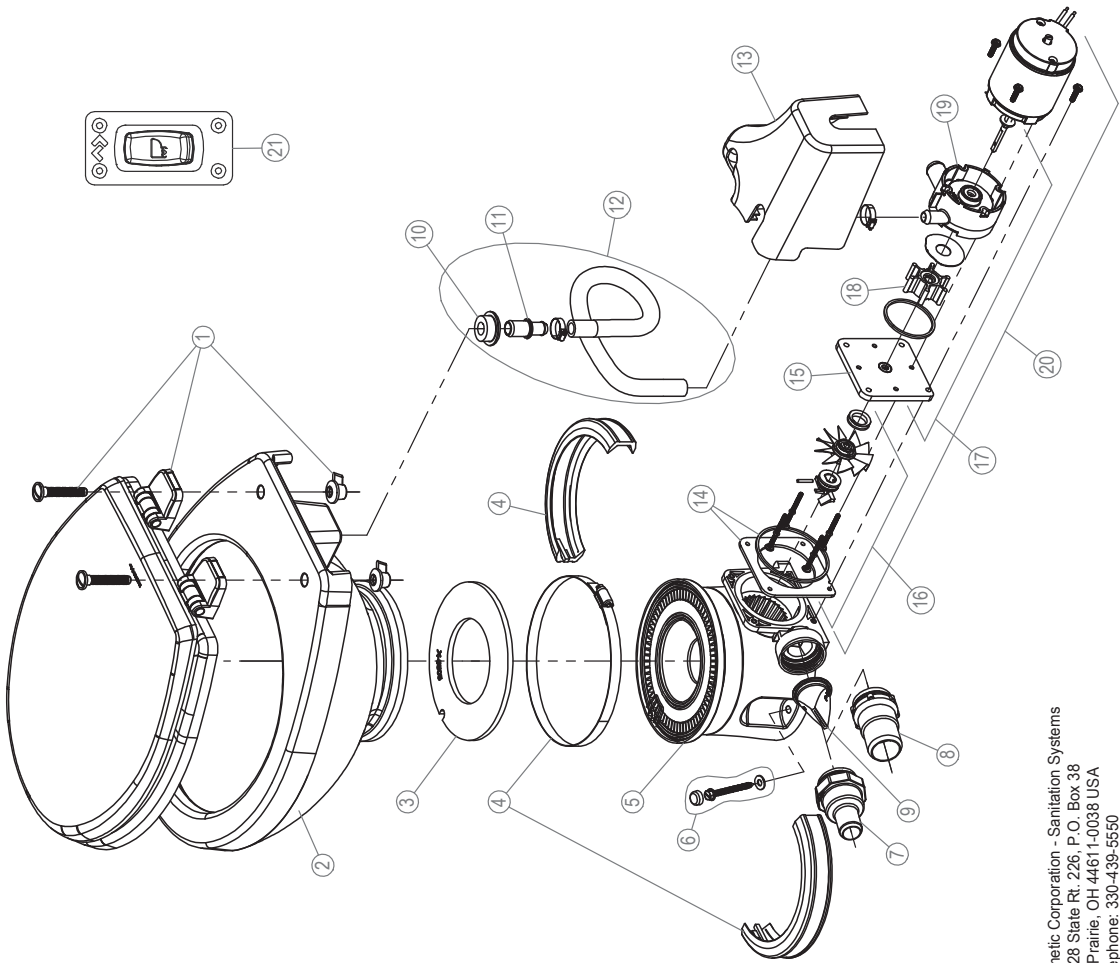


ITEM	PART NUMBER & DESCRIPTION
1	385312113 - SLOW CLOSE SEAT/COVER - WHITE 385312114 - SLOW CLOSE SEAT/COVER - BONE **Includes Mounting Hardware
2	385311079 - BOWL KIT - WHITE 385311080 - BOWL KIT - BONE
3	385311979 - BOWL SEAL
4	385310025 - BOWL/BASE CLAMP KIT - WHITE 385310048 - BOWL/BASE CLAMP KIT - BONE
5	385311980 - BASE KIT - WHITE 385311981 - BASE KIT - BONE
6	385310679 - MOUNTING HARDWARE - WHITE 385310785 - MOUNTING HARDWARE - BONE
7	385880072 - 1" VALVE ADAPTER
8	385311620 - 1-1/2" CHECK VALVE
9	385311315 - 1-1/2" VALVE ADAPTER
10	385311164 - 1/2" SEALING GROMMET
11	385311456 - BARBED CHECK VALVE REPLACEMENT **Includes Item 10.
12	385311984 - BOWL SUPPLY HOSE KIT - FRESH WATER **Includes Items 10; 11 & Clamps.
13	385311985 - 7000 SERIES PUMP/MOTOR COVER - WHITE 385311986 - 7000 SERIES PUMP/MOTOR COVER - BONE
14	385312033 - FLANGE GASKET REPLACEMENT KIT
15	385311987 - MOTOR MOUNTING PLATE **Includes all Pump Seals & Mounting Hardware.
16	385311851 - WATER VALVE KIT - 12vdc 385311852 - WATER VALVE KIT - 24vdc **Includes mounting screws & clamps.
17	385311988 - MACERATOR BLADE REBUILD KIT **Includes Mounting Hardware.
18	385311992 - WATER VALVE MOUNTING SPACER KIT **Includes all Pump Seals.
19	385311995 - PUMP/MOTOR 12v REPLACEMENT-COMLETE 385311996 - PUMP/MOTOR 24v REPLACEMENT-COMLETE **Includes Items 14-17 & Clamps.
20	385311997 - DFS-1F FLUSH SWITCH PANEL **Includes Mounting Screws.
21	385311702 - DFST FLUSH SWITCH PANEL **Optional; not Provided with all Models.

Domestic Corporation - Sanitation Systems
13128 State Rt. 226, P.O. Box 38
Big Prairie, OH 44611-0038 USA
Telephone: 330-439-5550
Fax: 330-496-3097
Email: sealand@domesticusa.com

P/N: 600347017
REV.: 07-08/17

PARTS LIST: ORBIT 7160 STANDARD VERSION



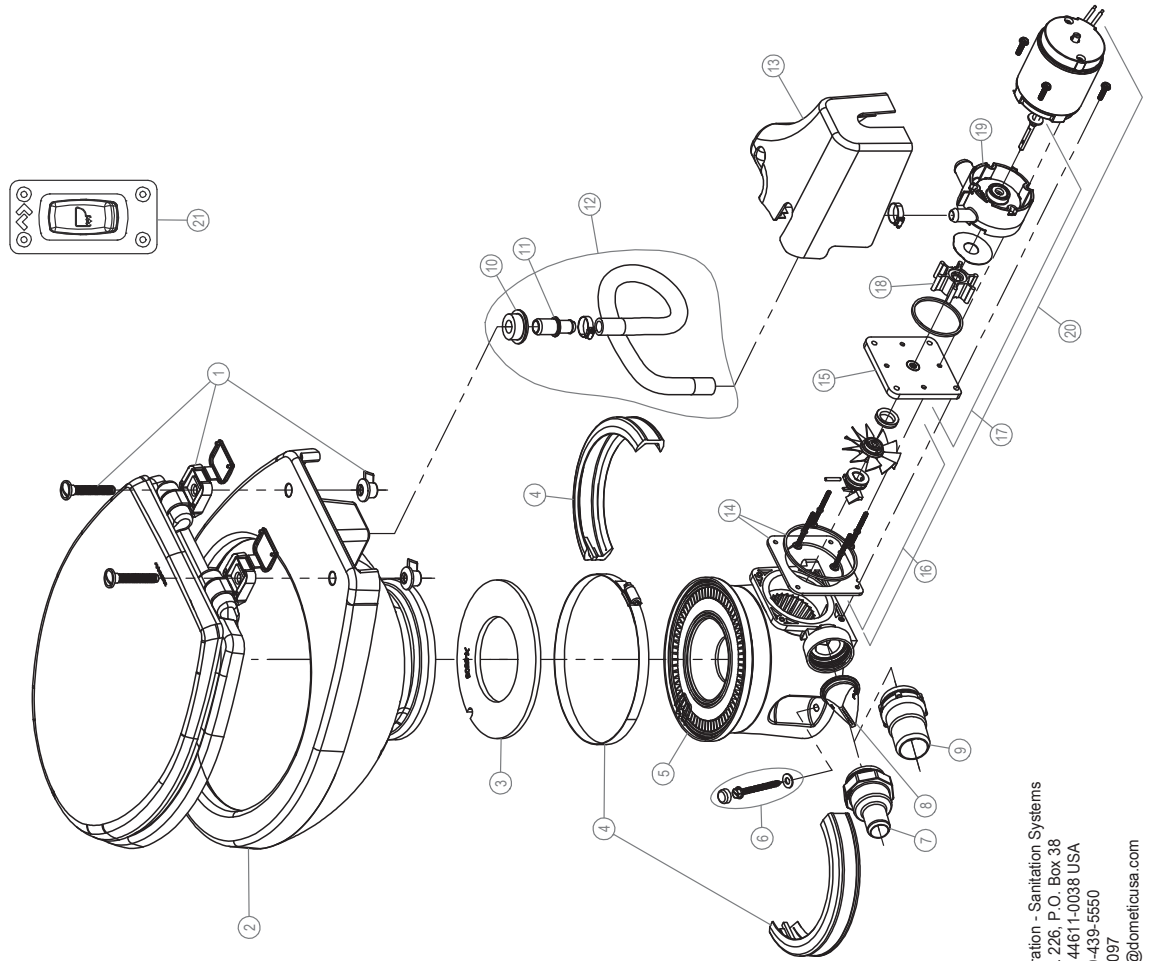
ITEM	PART NUMBER & DESCRIPTION
1	385343829 - SEAT/COVER - WHITE 385343831 - SEAT/COVER - BONE **Includes Mounting Hardware.
2	385311079 - BOWL KIT - WHITE 385311080 - BOWL KIT - BONE
3	385311979 - BOWL SEAL
4	385310025 - BOWL/BASE CLAMP KIT - WHITE 385310048 - BOWL/BASE CLAMP KIT - BONE
5	385311980 - BASE KIT - WHITE 385311981 - BASE KIT - BONE
6	385310679 - MOUNTING HARDWARE
7	385880072 - 1" VALVE ADAPTER
8	385311315 - 1-1/2" VALVE ADAPTER
9	385311620 - 1-1/2" CHECK VALVE
10	385311164 - 1/2" SEALING GROMMET
11	385311982 - BOWL SUPPLY HOSE ADAPTER **Includes Item 10.
12	385311983 - BOWL SUPPLY HOSE KIT - RAW WATER **Includes Items 10; 11 & Clamps.
13	385311985 - 7000 SERIES PUMP/MOTOR COVER - WHITE 385311986 - 7000 SERIES PUMP/MOTOR COVER - BONE
14	385312033 - FLANGE GASKET REPLACEMENT KIT
15	385311987 - MOTOR MOUNTING PLATE **Includes all Pump Seals & Mounting Hardware.
16	385311988 - MACERATOR BLADE REBUILD KIT **Includes all Mounting Hardware.
17	385311989 - WATER PUMP IMPELLER/SEAL REBUILD KIT **Includes all Mounting Hardware & Pump Seals.
18	385311990 - WATER PUMP IMPELLER REPLACEMENT
19	385311991 - WATER PUMP HOUSING **Includes Pump Seals.
20	385311993 - PUMP/MOTOR 12v REPLACEMENT-COMLETE 385311994 - PUMP/MOTOR 24v REPLACEMENT-COMLETE **Includes Items 14-17 & Clamps.
21	385311997 - DFS-1F FLUSH SWITCH PANEL **Includes Mounting Screws.

Dometic Corporation - Sanitation Systems
13128 State Rt. 226, P.O. Box 38
Big Prairie, OH 44611-0038 USA
Telephone: 330-439-5550
Fax: 330-496-3097
Email: sealand@dometicusa.com

P/N: 600347398
REV.: 01-08/17

PARTS LIST: ORBIT 7164 MODEL

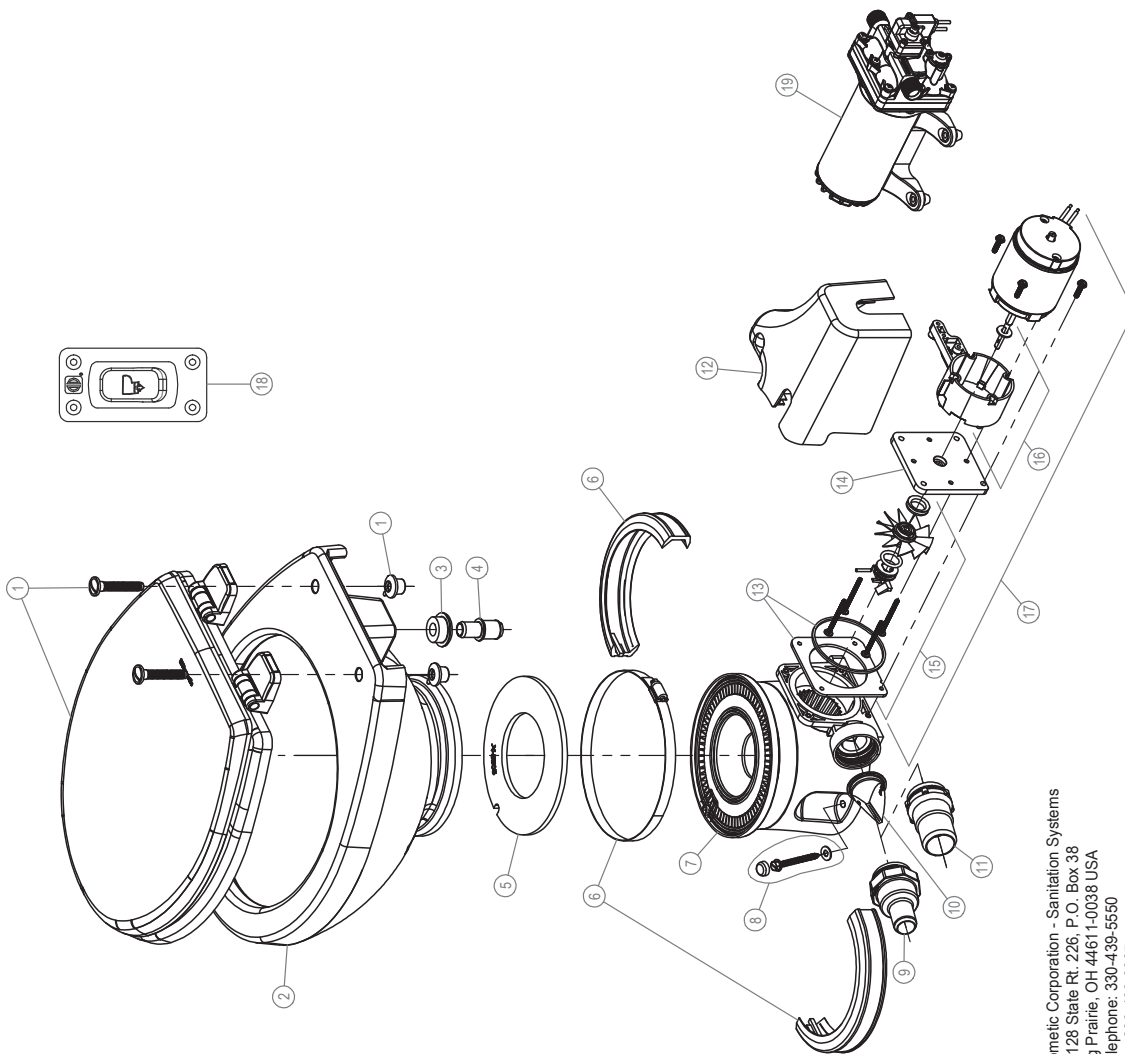
ITEM	PART NUMBER & DESCRIPTION
1	385312113 - SLOW CLOSE SEAT/COVER - WHITE 385312114 - SLOW CLOSE SEAT/COVER - BONE **Includes Mounting Hardware
2	38531079 - BOWL KIT - WHITE 38531080 - BOWL KIT - BONE
3	385311979 - BOWL SEAL
4	385310025 - BOWL/BASE CLAMP KIT - WHITE 385310048 - BOWL/BASE CLAMP KIT - BONE
5	385311980 - BASE KIT - WHITE 385311981 - BASE KIT - BONE
6	385310679 - MOUNTING HARDWARE - WHITE 385310785 - MOUNTING HARDWARE - BONE
7	385880072 - 1" VALVE ADAPTER
8	385311315 - 1-1/2" VALVE ADAPTER
9	385311620 - 1-1/2" CHECK VALVE
10	385311164 - 1/2" SEALING GROMMET
11	385311982 - BOWL SUPPLY HOSE ADAPTER **Includes Item 10.
12	385311983 - BOWL SUPPLY HOSE KIT - RAW WATER **Includes Items 10; 11 & Clamps.
13	385311985 - 7000 SERIES PUMP/MOTOR COVER - WHITE 385311986 - 7000 SERIES PUMP/MOTOR COVER - BONE
14	385312033 - FLANGE GASKET REPLACEMENT KIT
15	385311987 - MOTOR MOUNTING PLATE **Includes all Pump Seals & Mounting Hardware.
16	385311988 - MACERATOR BLADE REBUILD KIT **Includes Mounting Hardware.
17	385311989 - WATER PUMP REBUILD KIT **Includes all Mounting Hardware & Pump Seals.
18	385311990 - WATER PUMP IMPELLER REPLACEMENT **Includes all Pump Seals.
19	385311991 - WATER PUMP HOUSING **Includes Pump Seals.
20	385311993 - PUMP/MOTOR 12v REPLACEMENT-COMLETE 385311994 - PUMP/MOTOR 24v REPLACEMENT-COMLETE **Includes Items 14-17 & Clamps.
21	385311997 - DFS-1F FLUSH SWITCH PANEL **Includes Mounting Screws.



Dometic Corporation - Sanitation Systems
13128 State Rt. 226, P.O. Box 38
Big Prairie, OH 44611-0038 USA
Telephone: 330-439-5550
Fax: 330-496-3097
Email: sealand@dometicusa.com

P/N: 600347240
REV.: 02-05/16

PARTS LIST: ORBIT 7165 MODEL



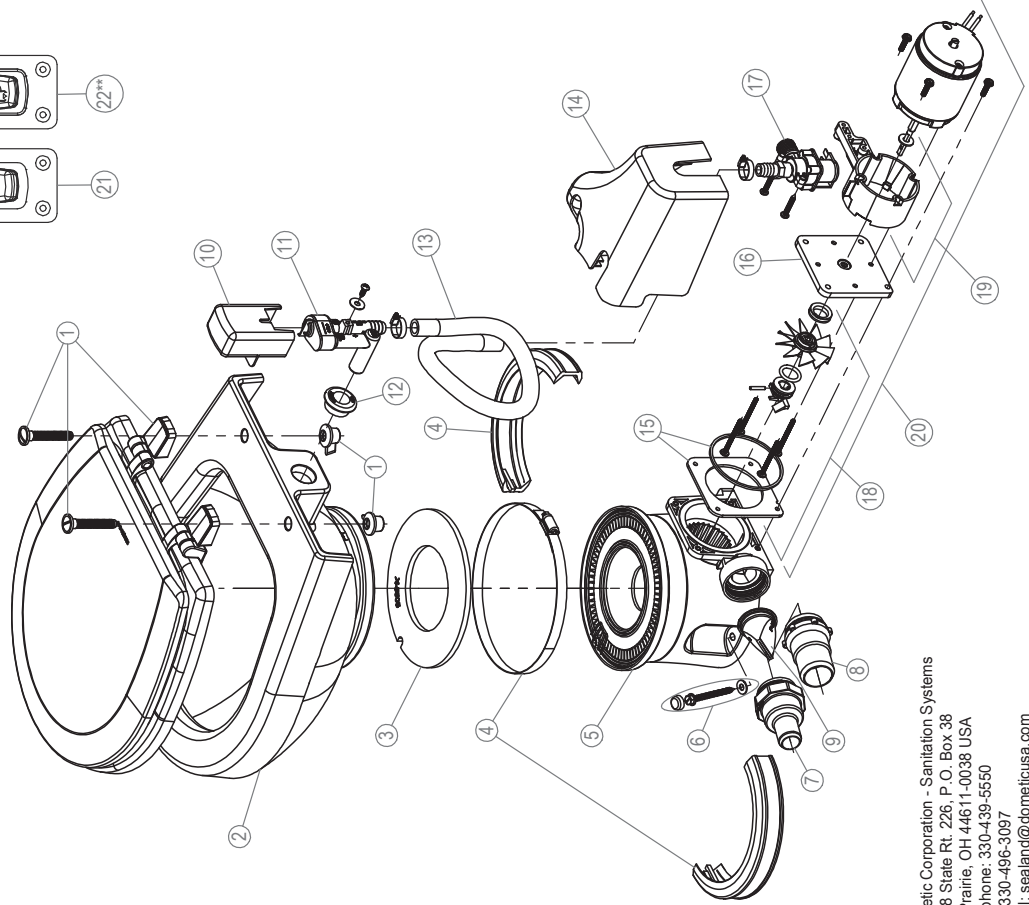
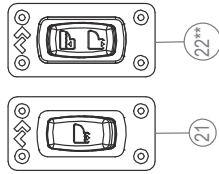
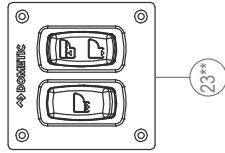
ITEM	PART NUMBER & DESCRIPTION
1	385343829 - SEAT/COVER - WHITE **Includes Mounting Hardware.
2	385311079 - BOWL KIT - WHITE
3	385311164 - 1/2" SEALING GROMMET
4	385312069 - 3/4" BOWL SUPPLY HOSE ADAPTER **Includes Item 3.
5	385311979 - BOWL SEAL
6	385310025 - BOWL/BASE CLAMP KIT - WHITE
7	385311980 - BASE KIT - WHITE
8	385310679 - MOUNTING HARDWARE - WHITE
9	385880072 - 1" VALVE ADAPTER
10	385311620 - 1-1/2" CHECK VALVE
11	385311315 - 1-1/2" PUMP OUTLET FITTING
12	385311985 - 7000 SERIES PUMP/MOTOR COVER - WHITE
13	385312033 - FLANGE GASKET REPLACEMENT KIT
14	385311987 - MOTOR MOUNTING PLATE **Includes all Pump Seals & Mounting Hardware.
15	385311988 - MACERATOR BLADE REBUILD KIT **Includes Mounting Hardware.
16	385311992 - WATER VALVE MOUNTING SPACER KIT **Includes all Pump Seals.
17	385312070 - PUMP/MOTOR 12v KIT-7165 COMPLETE **Includes Items 13 - 16.
18	385311997 - DFS-1F FLUSH SWITCH PANEL **Includes Mounting Screws.
19	385312071 - DOMETIC REMOTE WATER PUMP KIT - 12V **Includes Inline Strainer, & 3/4" Hose Fittings.

Dometic Corporation - Sanitation Systems
13128 State Rt. 226, P.O. Box 38
Big Prairie, OH 44611-0038 USA
Telephone: 330-439-5550
Fax: 330-496-3097
Email: sealano@dometicus.com

P/N: 600347057
REV.: 08-04/18

PARTS LIST: ORBIT 7220 STANDARD VERSION

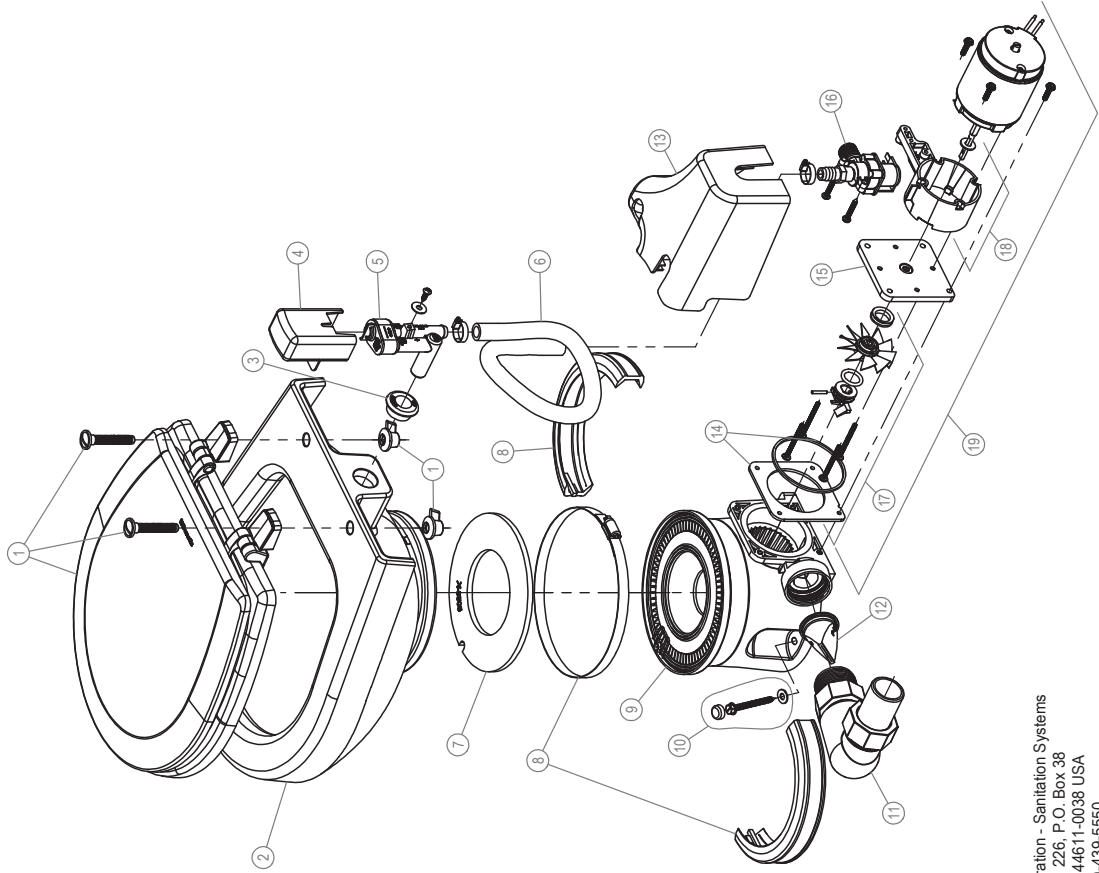
ITEM	PART NUMBER & DESCRIPTION
1	385344436 - SEAT/COVER - WHITE 385344437 - SEAT/COVER - BONE **Includes Mounting Hardware.
2	385310676 - BOWL KIT - WHITE 385310781 - BOWL KIT - BONE
3	385311979 - BOWL SEAL
4	385310025 - BOWL/BASE CLAMP KIT - WHITE 385310048 - BOWL/BASE CLAMP KIT - BONE
5	385311980 - BASE KIT - WHITE 385311981 - BASE KIT - BONE
6	385310679 - MOUNTING HARDWARE
7	385880072 - 1" VALVE ADAPTER
8	385311315 - 1-1/2" VALVE ADAPTER
9	385311620 - 1-1/2" CHECK VALVE
10	385310696 - VACUUM BREAKER COVER - WHITE 385310782 - VACUUM BREAKER COVER - BONE **Includes Mounting Hardware.
11	385316906 - VACUUM BREAKER KIT **Includes Item 12.
12	385311164 - 1/2" SEALING GROMMET
13	385312020 - BOWL SUPPLY HOSE KIT - FRESH WATER **Includes Clamps.
14	385311985 - 7000 SERIES PUMP/MOTOR COVER - WHITE 385311986 - 7000 SERIES PUMP/MOTOR COVER - BONE
15	385312033 - FLANGE GASKET REPLACEMENT KIT
16	385311987 - MOTOR MOUNTING PLATE **Includes all Pump Seats & Mounting Hardware.
17	385311851 - WATER VALVE KIT - 12vdc 385311852 - WATER VALVE KIT - 24vdc **Includes mounting screws & clamps.
18	385311988 - MACERATOR BLADE REBUILD KIT **Includes Mounting Hardware.
19	385311992 - WATER VALVE MOUNTING SPACER KIT **Includes all Pump Seats.
20	385311995 - PUMP/MOTOR 12v REPLACEMENT-COMLETE 385311996 - PUMP/MOTOR 24v REPLACEMENT-COMLETE **Includes Items 15-18 & Clamps.
21	385311997 - DFS-1F FLUSH SWITCH PANEL **Includes Mounting Hardware.
22**	385311998 - DFS-2F FLUSH SWITCH PANEL **Optional; Only Provided with 7120INT & 7220INT Models.
23**	385311702 - DFST FLUSH SWITCH PANEL **Optional; not Provided with all Models.



Dometic Corporation - Sanitation Systems
13128 State Rt. 226, P.O. Box 38
Big Prairie, OH 44611-0038 USA
Telephone: 330-439-5550
Fax: 330-496-3097
Email: sealand@dometicusa.com

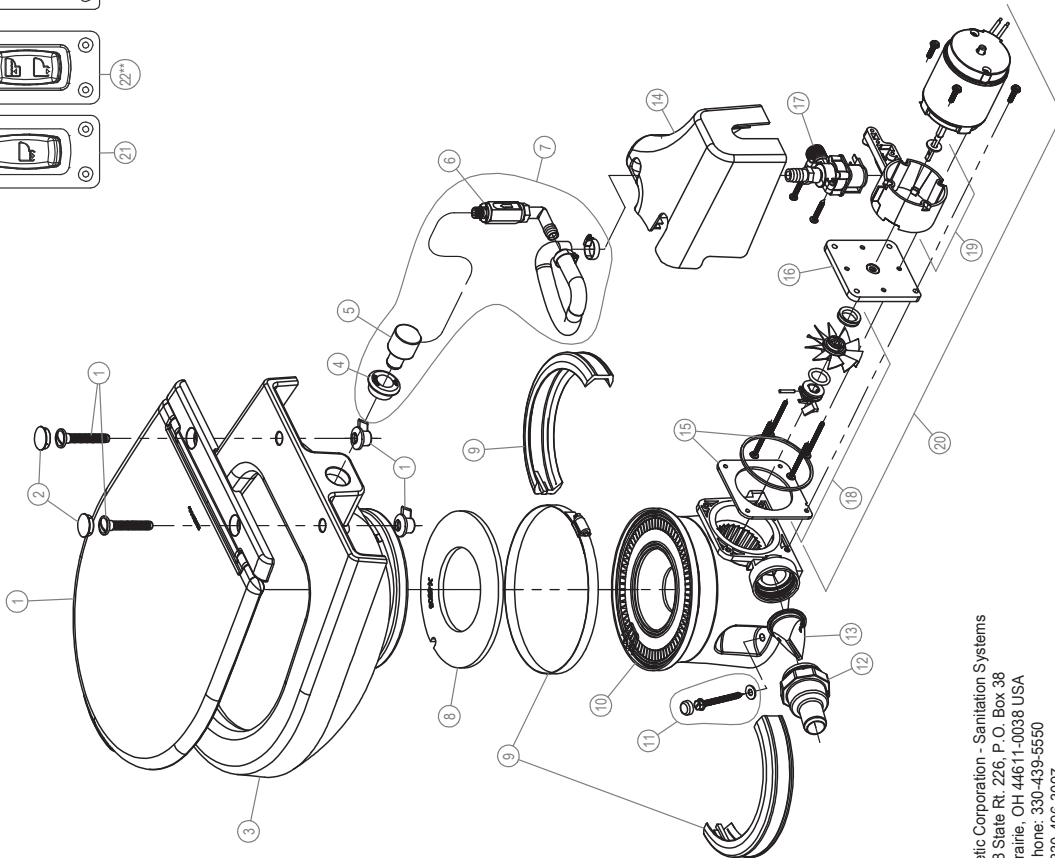
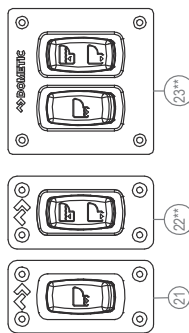
PARTS LIST: ORBIT 7220 MODEL - 304722013

ITEM	PART NUMBER & DESCRIPTION
1	385344436 - SEAT/COVER - WHITE **Includes Mounting Hardware.
2	385310676 - BOWL KIT - WHITE
3	385311164 - 1/2" SEALING GROMMET
4	385310696 - VACUUM BREAKER COVER - WHITE **Includes Mounting Hardware.
5	385316906 - VACUUM BREAKER KIT **Includes Item 3.
6	385312020 - BOWL SUPPLY HOSE KIT - FRESH WATER **Includes Clamps.
7	385311979 - BOWL SEAL
8	385310025 - BOWL/BASE CLAMP KIT - WHITE
9	385311980 - BASE KIT - WHITE
10	385310679 - MOUNTING HARDWARE - WHITE
11	385312008 - SLIP ELBOW OUTLET KIT-1" & 1-1/2"
12	385311620 - 1-1/2" CHECK VALVE
13	385311985 - 7000 SERIES PUMP/MOTOR COVER - WHITE
14	385312033 - FLANGE GASKET REPLACEMENT KIT
15	385311987 - MOTOR MOUNTING PLATE **Includes all Pump Seals & Mounting Hardware.
16	385311851 - WATER VALVE KIT - 12vdc **Includes mounting screws & clamps.
17	385311988 - MACERATOR BLADE REBUILD KIT **Includes Mounting Hardware.
18	385311992 - WATER VALVE MOUNTING SPACER KIT **Includes all Pump Seals.
19	385311995 - PUMP/MOTOR 12v REPLACEMENT-COMLETE **Includes Items 14-18 & Clamps.



P/N: 600347343
REV.: 01-02/17

PARTS LIST: ORBIT 7225 MODEL



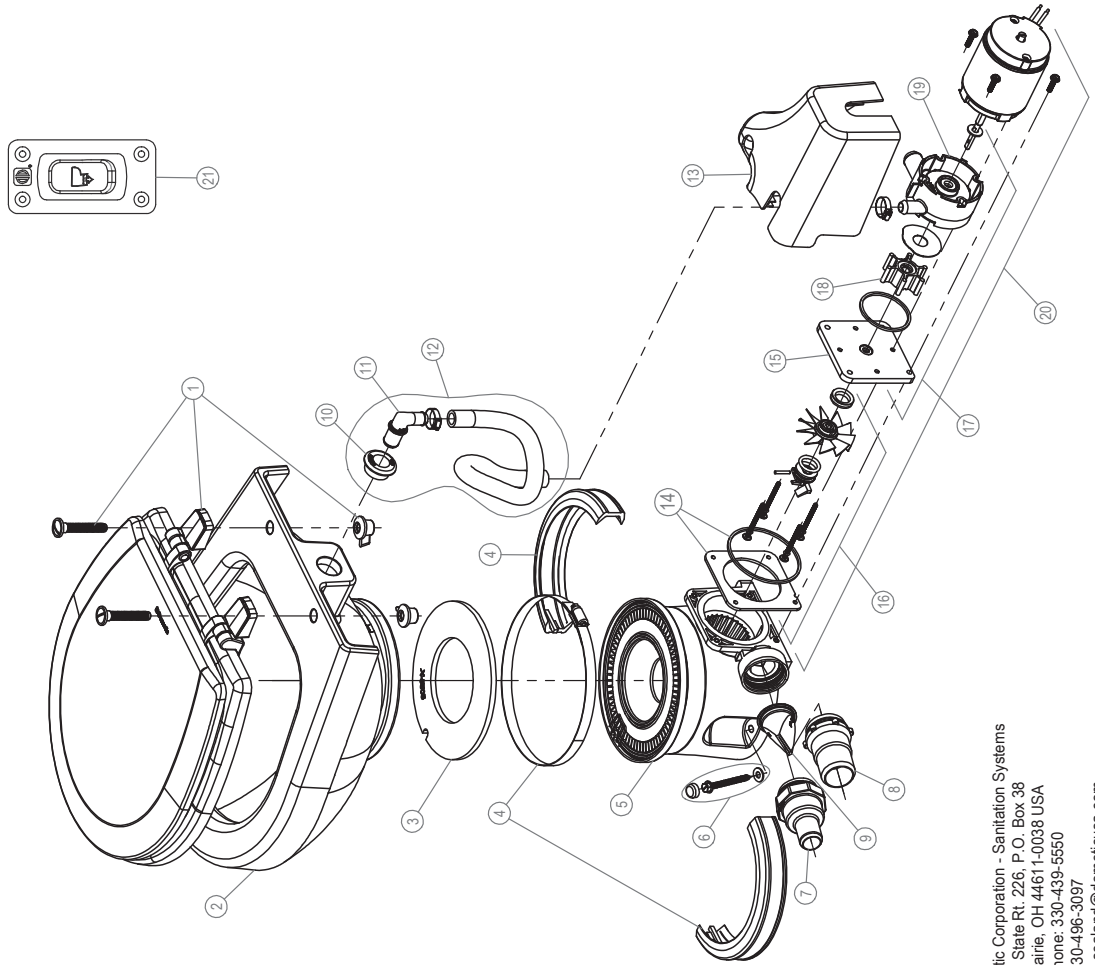
ITEM	PART NUMBER & DESCRIPTION
1	385312104 - LOW-PROFILE ECOVAC SEAT/CVR-WHT 385312105 - LOW-PROFILE ECOVAC SEAT/CVR-BONE **Includes Item 2 & Mounting Hardware.
2	385311648 - SEAT MOUNTING COVER - WHITE 385311649 - SEAT MOUNTING COVER - BONE
3	385310676 - BOWL KIT - WHITE 385310781 - BOWL KIT - BONE
4	385311164 - 1/2" SEALING GROMMET
5	385312106 - 1/2" GROMMET/CHECK VALVE ADAPTER
6	385312107 - THREADED CHECK VALVE w/ELBOW
7	385312108 - BOWL SUPPLY HOSE KIT-7225 FRESH WTR **Includes Items 4, 5, 6, & Clamps.
8	385311979 - BOWL SEAL
9	385310025 - BOWL/BASE CLAMP KIT - WHITE 385310048 - BOWL/BASE CLAMP KIT - BONE
10	385311980 - BASE KIT - WHITE 385311981 - BASE KIT - BONE
11	385310679 - MOUNTING HARDWARE - WHITE 385310785 - MOUNTING HARDWARE - BONE
12	385312008 - SLIP ELBOW OUTLET KIT-1" & 1-1/2"
13	385311620 - 1-1/2" CHECK VALVE
14	385311985 - 7000 SERIES PUMP/MOTOR COVER - WHITE 385311986 - 7000 SERIES PUMP/MOTOR COVER - BONE
15	385312033 - FLANGE GASKET REPLACEMENT KIT
16	385311987 - MOTOR MOUNTING PLATE **Includes all Pump Seals & Mounting Hardware.
17	385311851 - WATER VALVE KIT - 12vdc 385311852 - WATER VALVE KIT - 24vdc **Includes mounting screws & clamps.
18	385311988 - MACERATOR BLADE REBUILD KIT **Includes Mounting Hardware.
19	385311992 - WATER VALVE MOUNTING SPACER KIT **Includes all Pump Seals.
20	385311995 - PUMP/MOTOR 12v REPLACEMENT-COMLETE 385311996 - PUMP/MOTOR 24v REPLACEMENT-COMLETE **Includes Items 15-19 & Clamps.
21	385311997 - DFS-1F FLUSH SWITCH PANEL **Includes Mounting Screws.
22**	385311998 - DFS-2F FLUSH SWITCH PANEL **Optional, not Provided with all Models.
23**	385311702 - DFST FLUSH SWITCH PANEL **Optional, not Provided with all Models.

Dometic Corporation - Sanitation Systems
13128 State Rt. 226, P.O. Box 38
Big Prairie, OH 44611-0038 USA
Telephone: 330-439-5550
Fax: 330-496-3097
Email: sealand@dometicusa.com

P/N: 600347058
REV.: 05-05/16

PARTS LIST: ORBIT 7260 STANDARD VERSION

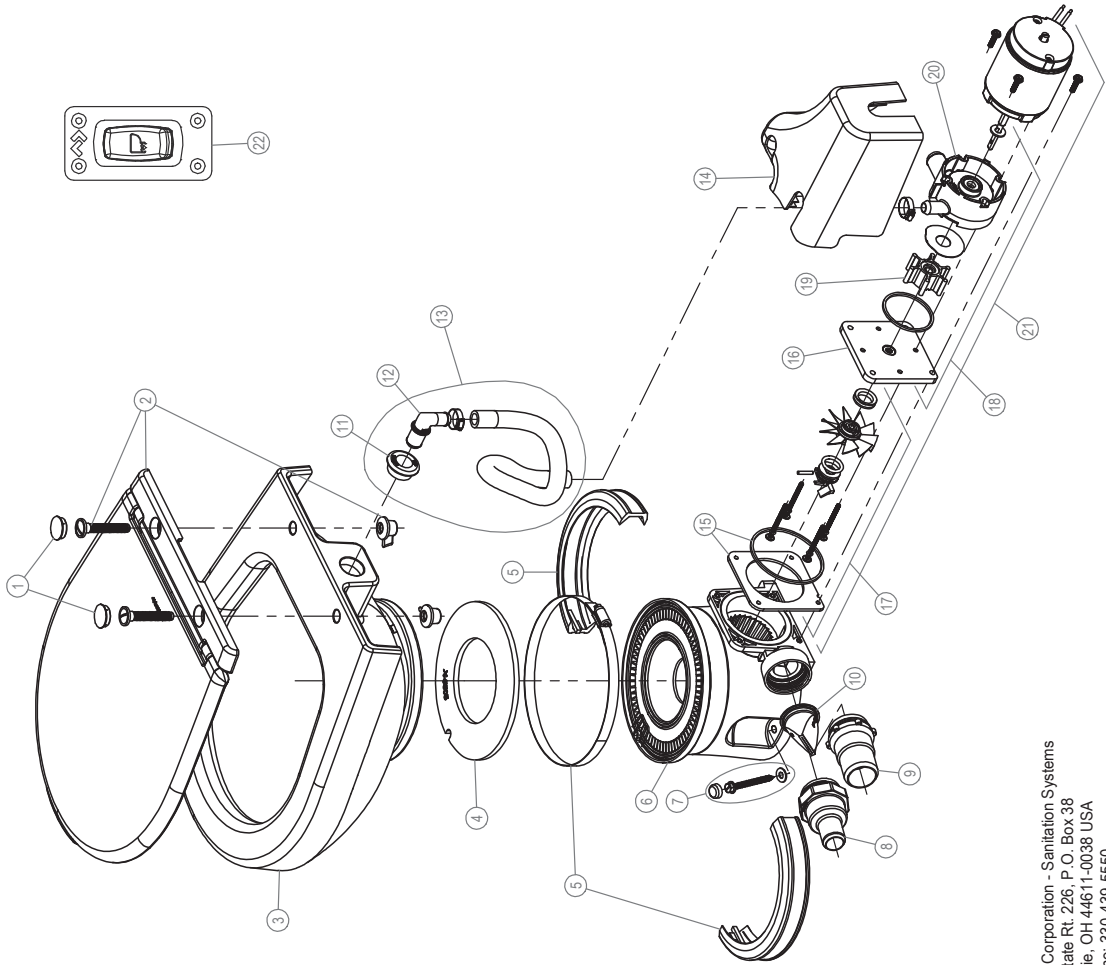
ITEM	PART NUMBER & DESCRIPTION
1	385344436 - SEAT/COVER - WHITE 385344437 - SEAT/COVER - BONE **Includes Mounting Hardware.
2	385310676 - BOWL KIT - WHITE 385310781 - BOWL KIT - BONE
3	385311979 - BOWL SEAL
4	385310025 - BOWL/BASE CLAMP KIT - WHITE 385310048 - BOWL/BASE CLAMP KIT - BONE
5	385311980 - BASE KIT - WHITE 385311981 - BASE KIT - BONE
6	385310679 - MOUNTING HARDWARE
7	385880072 - 1" VALVE ADAPTER
8	385311315 - 1-1/2" VALVE ADAPTER
9	385311620 - 1-1/2" CHECK VALVE
10	385311164 - 1/2" SEALING GROMMET
11	385312021 - BOWL SUPPLY HOSE ELBOW ADAPTER **Includes Item 10.
12	385312022 - BOWL SUPPLY HOSE KIT - RAW WATER **Includes Items 10; 11 & Clamps
13	385311985 - 7000 SERIES PUMP/MOTOR COVER - WHITE 385311986 - 7000 SERIES PUMP/MOTOR COVER - BONE
14	385312033 - FLANGE GASKET REPLACEMENT KIT
15	385311987 - MOTOR MOUNTING PLATE **Includes all Pump Seals & Mounting Hardware.B5
16	385311988 - MACERATOR BLADE REBUILD KIT **Includes Mounting Hardware.
17	385311989 - WATER PUMP REBUILD KIT **Includes all Mounting Hardware & Pump Seals.
18	385311990 - WATER PUMP IMPELLER/SEAL REPLACEMENT **Includes all Pump Seals.
19	385311991 - WATER PUMP HOUSING **Includes Pump Seals.
20	385311993 - PUMP/MOTOR 12V REPLACEMENT-COMPLETE 385311994 - PUMP/MOTOR 24V REPLACEMENT-COMPLETE **Includes Items 14-17 & Clamps.
21	385311997 - DFS-1F FLUSH SWITCH PANEL **Includes Mounting Screws.



Domestic Corporation - Sanitation Systems
13128 State Rt. 226, P.O. Box 38
Big Prairie, OH 44611-0038 USA
Telephone: 330-439-5550
Fax: 330-496-3097
Email: sealand@dometicusa.com

P/N: 600347506
REV.: 01-09/18

PARTS LIST: ORBIT 7265 MODEL / 304726501

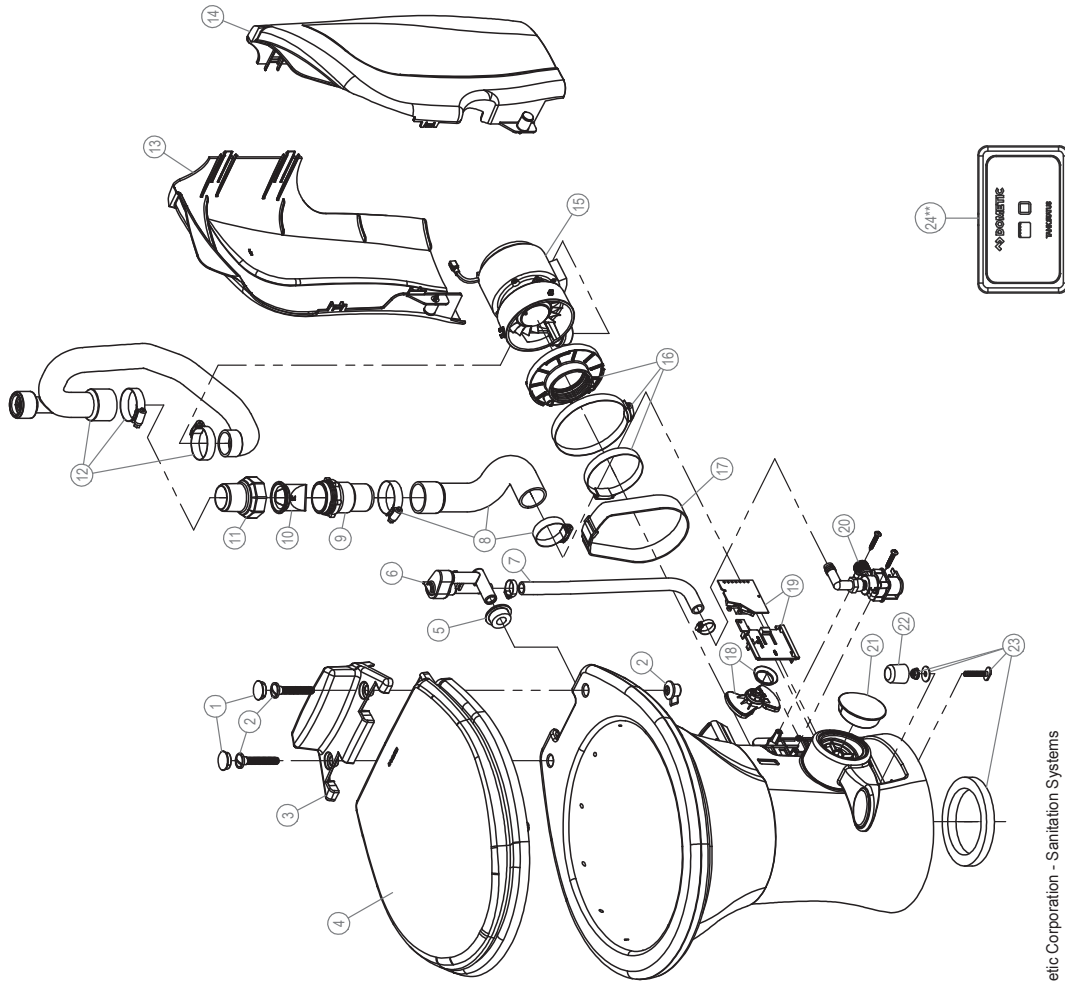


ITEM	PART NUMBER & DESCRIPTION
1	385311648 - SEAT MOUNTING COVER - WHITE
2	385312104 - LOW-PROFILE ECOVAC SEAT/CVR-WHT **Includes Item 1 & Mounting Hardware.
3	385310676 - BOWL KIT - WHITE
4	385311979 - BOWL SEAL
5	385310025 - BOWL/BASE CLAMP KIT - WHITE
6	385311980 - BASE KIT - WHITE
7	385310679 - MOUNTING HARDWARE - WHITE
8	385880072 - 1" VALVE ADAPTER
9	385311315 - 1-1/2" VALVE ADAPTER
10	385311620 - 1-1/2" CHECK VALVE
11	385311164 - 1/2" SEALING GROMMET
12	385312021 - BOWL SUPPLY HOSE ELBOW ADAPTER **Includes Item 11.
13	385312022 - BOWL SUPPLY HOSE KIT - RAW WATER **Includes Items 11; 12 & clamps.
14	385311985 - 7000 SERIES PUMP/MOTOR COVER - WHITE
15	385312033 - FLANGE GASKET REPLACEMENT KIT
16	385311987 - MOTOR MOUNTING PLATE **Includes all Pump Seals & Mounting Hardware.
17	385311988 - MACERATOR BLADE REBUILD KIT **Includes Mounting Hardware.
18	385311989 - WATER PUMP REBUILD KIT **Includes all Mounting Hardware & Pump Seals.
19	385311990 - WATER PUMP IMPELLER/SEAL REPLACEMENT **Includes all Pump Seals.
20	385311991 - WATER PUMP HOUSING **Includes Pump Seals.
21	385311994 - PUMP/MOTOR 24v REPLACEMENT-COMLETE **Includes Items 15-18 & Clamps.
22	385311997 - DFS-1F FLUSH SWITCH PANEL **Includes Mounting Screws.

Dometic Corporation - Sanitation Systems
13128 State Rt. 226, P. O. Box 38
Big Prairie, OH 44611-0038 USA
Telephone: 330-439-5550
Fax: 330-496-3097
Email: sealand@dometicusa.com

P/N: 600347248
REV.: 02-06/17

PARTS LIST: 7640 MODEL

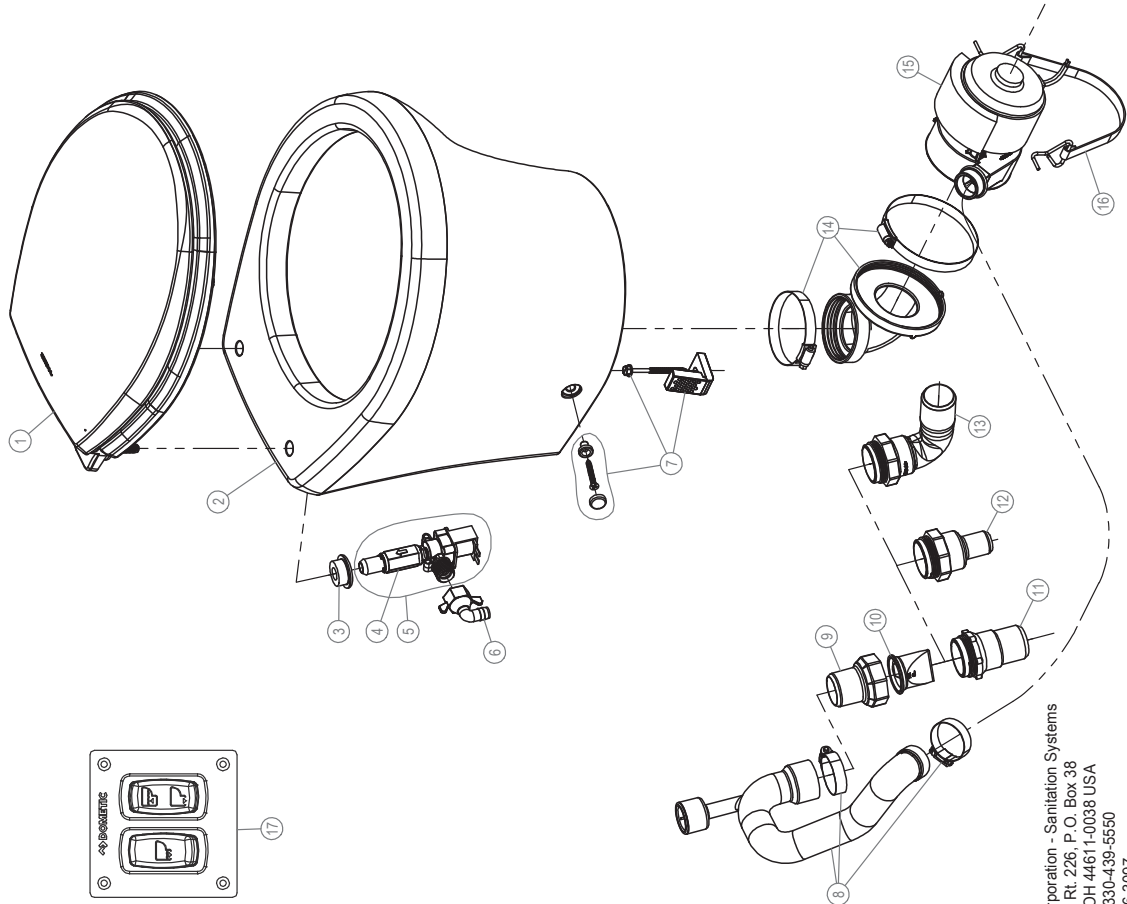


ITEM	PART NUMBER & DESCRIPTION
1	385311648 - SEAT MOUNTING COVER - WHITE 385311649 - SEAT MOUNTING COVER - BONE
2	385311650 - SEAT MOUNTING HARDWARE - WHITE 385311651 - SEAT MOUNTING HARDWARE - BONE **Includes Item 1.
3	385311944 - VACUUM BREAKER REPL. COVER - WHITE 385311945 - VACUUM BREAKER REPL. COVER - BONE **Includes Items 1 & 2.
4	385311949 - SEAT/COVER REPLACEMENT - WHITE 385311950 - SEAT/COVER REPLACEMENT - BONE **Includes Items 1, 2, & 3.
5	385311164 - 1/2" SEALING GROMMET
6	385316906 - VACUUM BREAKER KIT, WITHOUT SPRAYER **Includes Item 5.
7	385312080 - BOWL SUPPLY HOSE **Includes Clamps.
8	385312081 - LOWER DISCHARGE TUBE
9	385311315 - 1-1/2" PUMP OUTLET FITTING
10	385311620 - 1-1/2" CHECK VALVE
11	385680070 - DISCHARGE TUBE VALVE ADAPTER
12	385312082 - UPPER DISCHARGE TUBE **Includes Anti-Siphon Valve.
13	385312083 - RH PUMP/BASE COVER - WHITE 385312084 - RH PUMP/BASE COVER - BONE **Includes Mounting Hardware.
14	385312085 - LH PUMP/BASE COVER - WHITE 385312086 - LH PUMP/BASE COVER - BONE **Includes Mounting Hardware.
15	385680068 - MOTOR/MACERATOR ASSY - 12VDC
16	385312087 - BOWL OUTLET ADAPTER TO PUMP
17	385680083 - MOTOR/PUMP MOUNTING STRAP
18	385312088 - LIMIT SWITCH CAM REPLACEMENT
19	385312089 - CONTROL MODULE 7600
20	385312090 - WATER VALVE ASSEMBLY **Includes Mounting Screws.
21	385311656 - PEDAL COVER - WHITE 385311657 - PEDAL COVER - BONE
22	385311654 - FLOOR BOLT CAP - WHITE 385311655 - FLOOR BOLT CAP - BONE
23	385311652 - MTG HARDWARE & FLOOR SEAL - WHITE 385311653 - MTG HARDWARE & FLOOR SEAL - BONE **Includes Item 21.
24**	313002311 - DOMETIC TK MONITOR 01 w/FLOAT PLATE 313002312 - DOMETIC TK MONITOR 01 w/FLOAT CAP **Optional Accessory; Sold Separately.
NOT SHOWN	385311022 - REMOTE MOUNTING HARDWARE KIT WHT/BONE

Domestic Corporation - Sanitation Systems
13128 State Rt. 226, P.O. Box 38
Big Prairie, OH 44611-0038 USA
Telephone: 330-439-5550
Fax: 330-496-3097
Email: seeland@domesticusa.com

P/N: 600346354
REV.: 04-09/17

PARTS LIST: 8120 LOW-PROFILE MASTERFLUSH TOILET



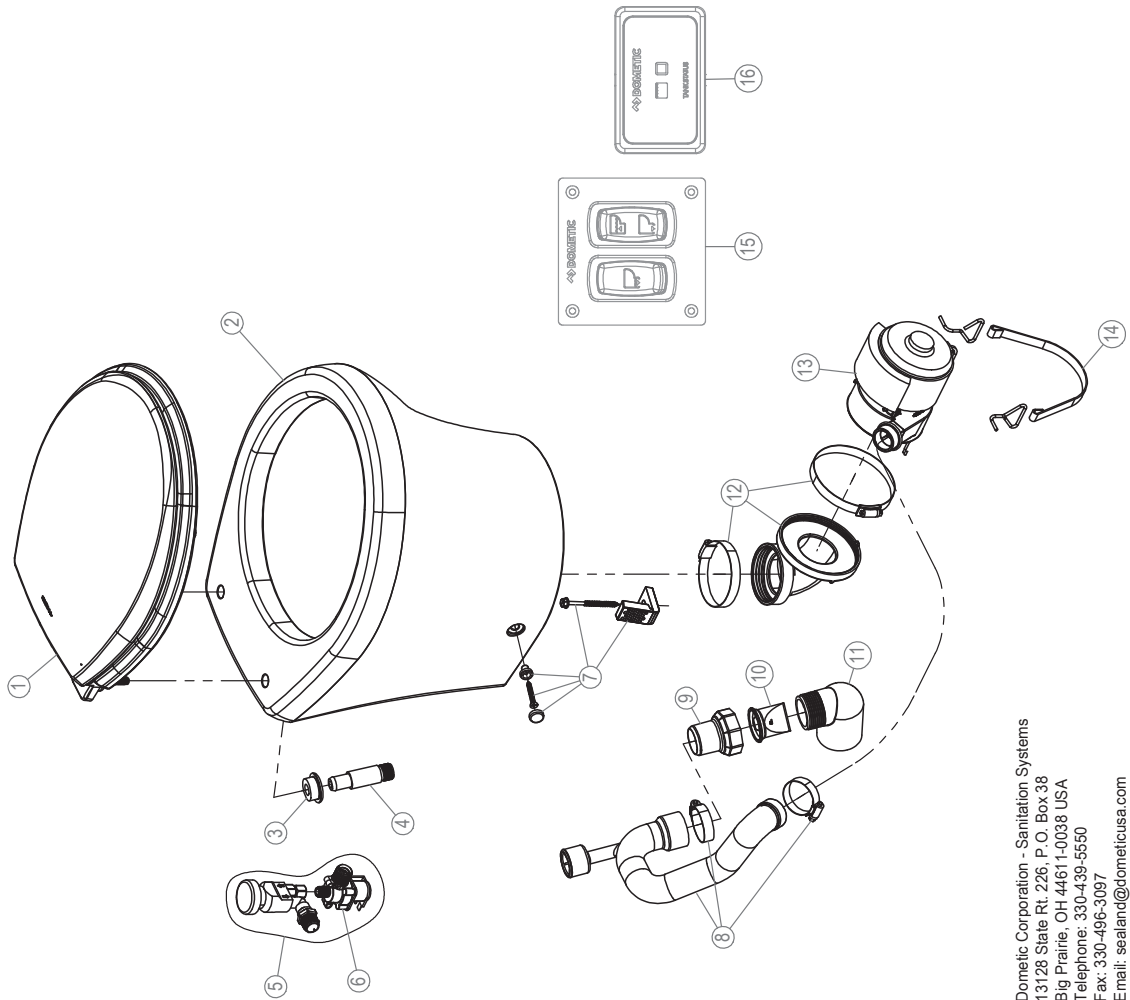
ITEM	PART NUMBER & DESCRIPTION
1	385311694 - SEAT/COVER WOOD - WHIT 385311695 - SEAT/COVER WOOD - BONE **Includes Mounting Hardware
2	385880076 - 8900/8100 SHORT SERIES BOWL KIT-WHITE 385880077 - 8900/8100 SHORT SERIES BOWL KIT-BONE
3	385311164 - 1/2" SEALING GROMMET
4	385880073 - CHECKVALVE REPLACEMENT
5	385880074 - WATER VALVE KIT - 12VDC 385880075 - WATER VALVE KIT - 24VDC **Includes Items 3 & 4.
6	385311717 - KIT, 1/2" SWIVEL ELBOW
7	385311463 - BOWL MOUNTING HARDWARE KIT
8	385880065 - DISCHARGE TUBE REPLACEMENT KIT **Includes Clamps & Antisiphon Valve.
9	385880070 - DISCHARGE TUBE VALVE ADAPTER
10	385311620 - 1-1/2" CHECK VALVE
11	385311315 - 1-1/2" VALVE ADAPTER
12	385880072 - 1" VALVE ADAPTER
13	385880071 - 1-1/2" VALVE ADAPTER ELBOW
14	385880067 - BOWL OUTLET ELBOW
15	385880068 - MOTOR/MACERATOR ASSY - 12VDC 385880069 - MOTOR/MACERATOR ASSY - 24VDC
16	385880083 - MOTOR/PUMP MOUNTING STRAP
17	385311702 - DFST FLUSH SWITCH PANEL
NOT SHOWN	385311547 - WATER SUPPLY HOSE REPLACEMENT **Optional Item; Replaces Item 6.

Dometic Corporation - Sanitation Systems
13128 State Rt. 226, P.O. Box 38
Big Prairie, OH 44611-0038 USA
Telephone: 330-439-5550
Fax: 330-496-3097
Email: sealand@dometicusa.com

P/N: 600347195
REV.: 02-10/17

PARTS LIST: 8120 LOW-PROFILE SERIES - 304812001

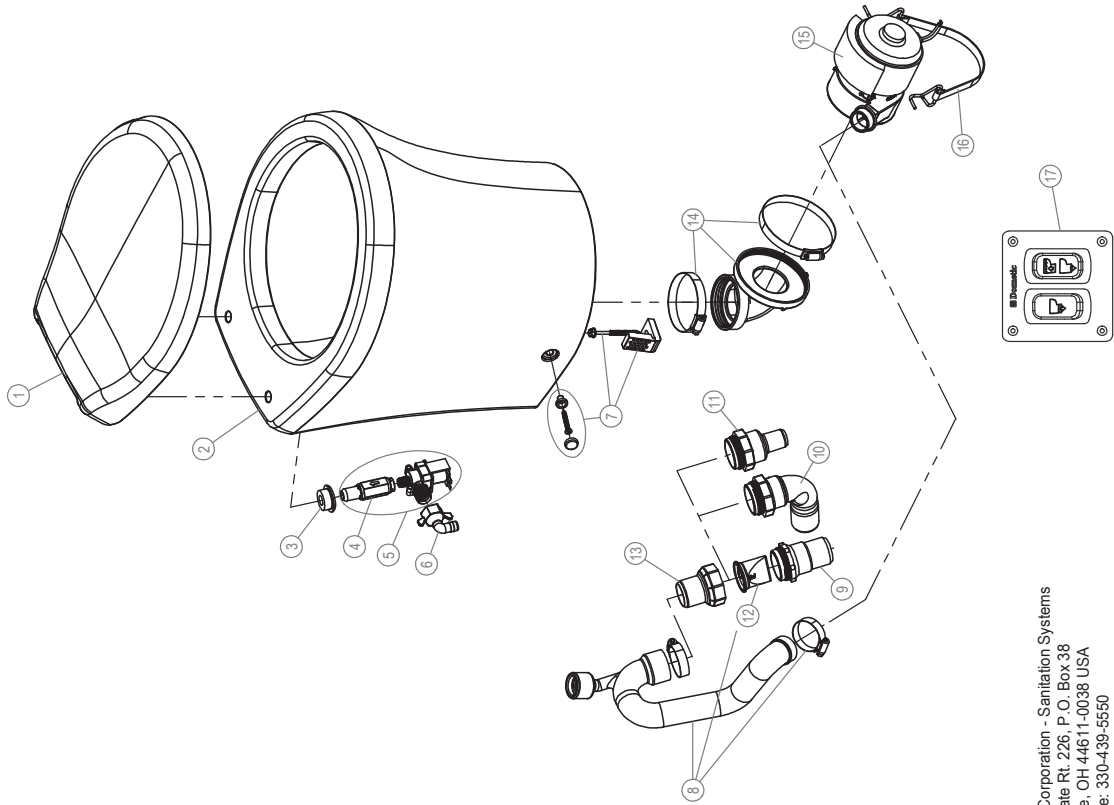
ITEM	PART NUMBER & DESCRIPTION
1	385311694 - SEAT/COVER WOOD - WHITE **Includes Mounting Hardware
2	385880076 - 8900/8100 SHORT SERIES BOWL KIT-WHITE
3	385311164 - 1/2" SEALING GROMMET
4	385311879 - BOWL SUPPLY FITTING **Includes Item 3.
5	385311881 - REMOTE MOUNT WATER VALVE/ VACUUM BREAKER ASSEMBLY **Includes Item 6.
6	385311882 - WATER VALVE KIT - 12vdc
7	385311463 - BOWL MOUNTING HARDWARE KIT
8	385880065 - DISCHARGE TUBE REPLACEMENT KIT **Includes Clamps & Antisiphon Valve.
9	385880070 - DISCHARGE TUBE VALVE ADAPTER
10	385311620 - 1-1/2" CHECK VALVE
11	385311880 - 1-1/2" SLIP X MALE THREAD ELBOW
12	385880067 - BOWL OUTLET ELBOW
13	385880068 - MOTOR/MACERATOR ASSY - 12VDC
14	385880083 - MOTOR/PUMP MOUNTING STRAP
15	385311702 - DFST FLUSH SWITCH PANEL
16	313002310 - DTM01 PANEL



Dometic Corporation - Sanitation Systems
13128 State Rt. 226, P.O. Box 38
Bldg. Prairie, OH 44611-0038 USA
Telephone: 330-439-5550
Fax: 330-496-3097
Email: sealand@dometicusa.com

P/N: 600346994
REV.: 02-05/14

PARTS LIST: 8140 TALL SERIES (304814001)

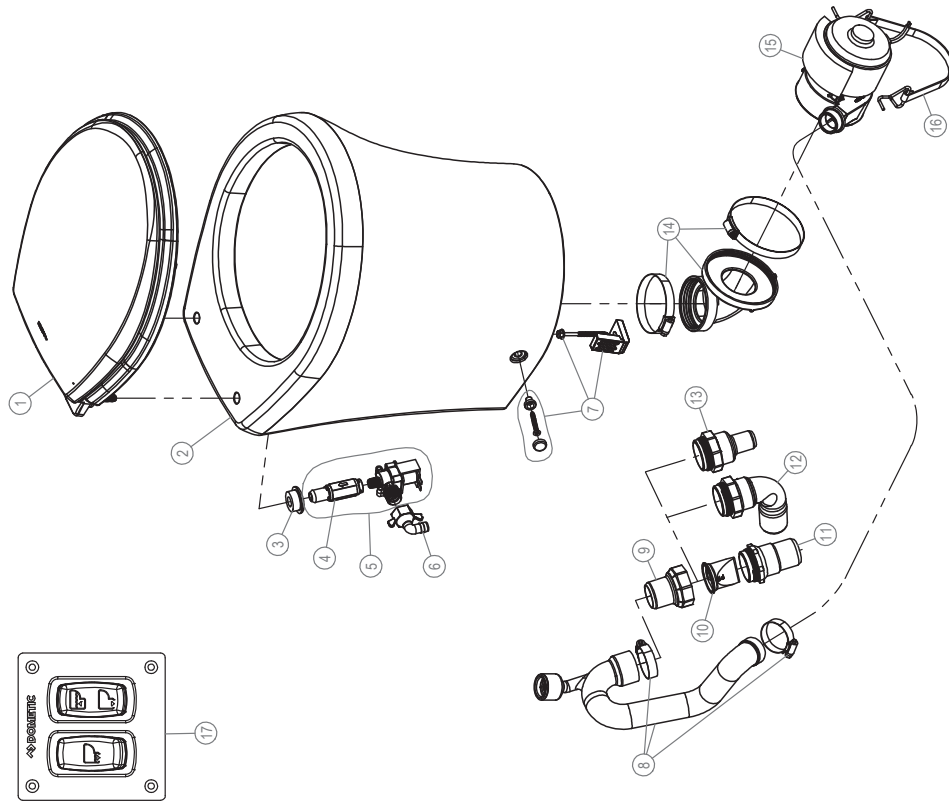


ITEM	PART NUMBER & DESCRIPTION
1	385311618 - SEAT/COVER SLOW-CLOSE WHITE
2	385880078 - 81/8900 TALL BOWL KIT - WHITE
3	385311164 - 1/2" SEALING GROMMET
4	385880073 - CHECK VALVE REPLACEMENT
5	385880074 - WATER VALVE KIT - 12VDC **INCLUDES ITEMS #3 & #4.
6	385311717 - 1/2" SWIVEL ELBOW
7	385311463 - BOWL MOUNTING HARDWARE KIT.
8	385311778 - DISCHARGE TUBE - TALL SERIES **INCLUDES ANTI-SIPHON VALVE.
9	385311315 - 1-1/2" VALVE ADAPTER
10	385880071 - 1-1/2" VALVE ADAPTER ELBOW
11	385880072 - 1" VALVE ADAPTER
12	385310620 - 1-1/2" CHECK VALVE
13	385880070 - DISCHARGE TUBE VALVE ADAPTER
14	385880067 - BOWL OUTLET ELBOW
15	385311928 - MOTORMACERATOR ASSY - 12VDC
16	385880083 - MOTORMAC MOUNTING STRAP
17	385311702 - 8100 FLUSH SWITCH PANEL
NOT SHOWN	385312031 - REPLACEMENT MOTOR CAPACITOR KIT **Includes Wire Connectors.

Dometic Corporation - Sanitation Systems
13128 State Rt. 226, P.O. Box 38
Big Prairie, OH 44611-0038 USA
Telephone: 330-439-5550
Fax: 330-496-3097
Email: sealand@dometicusa.com

P/N: 600347408
REV.: 01-09/17

PARTS LIST: 8140 TALL MASTERFLUSH TOILET

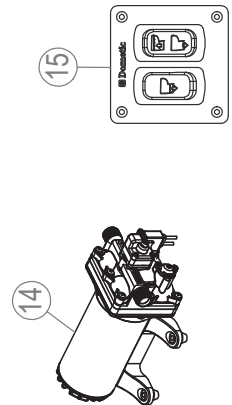
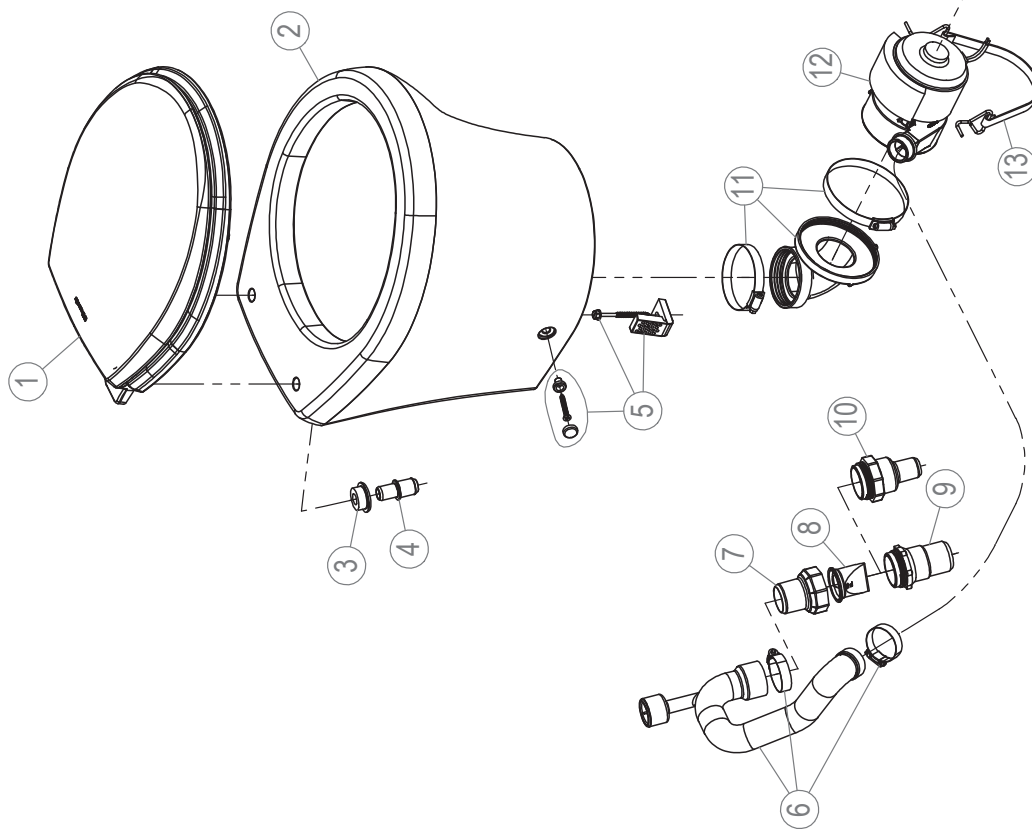


ITEM	PART NUMBER & DESCRIPTION
1	385311694 - SEAT/COVER WOOD - WHITE 385311695 - SEAT/COVER WOOD - BONE **Includes Mounting Hardware
2	385880078 - 8900/8100 TALL SERIES BOWL KIT - WHITE 385880079 - 8900/8100 TALL SERIES BOWL KIT - BONE
3	385311164 - 1/2" SEALING GROMMET
4	385880073 - CHECK/VALVE REPLACEMENT
5	385880074 - WATER VALVE KIT - 12VDC 385880075 - WATER VALVE KIT - 24VDC **Includes Items 3 & 4.
6	385311717 - KIT, 1/2" SWIVEL ELBOW
7	385311463 - BOWL MOUNTING HARDWARE KIT
8	385311778 - DISCHARGE TUBE KIT **Includes Anti-Siphon Valve
9	385880070 - DISCHARGE TUBE VALVE ADAPTER
10	385311620 - 1-1/2" CHECK VALVE
11	385311315 - 1-1/2" VALVE ADAPTER
12	385880071 - 1-1/2" VALVE ADAPTER ELBOW
13	385880072 - 1" VALVE ADAPTER
14	385880067 - BOWL OUTLET ELBOW
15	385880068 - MOTOR/MACERATOR ASSY - 12VDC 385880069 - MOTOR/MACERATOR ASSY - 24VDC
16	385880083 - MOTOR/PUMP MOUNTING STRAP
17	385311702 - DFST FLUSH SWITCH PANEL
NOT SHOWN	385311547 - WATER SUPPLY HOSE REPLACEMENT **Optional Item; Replaces Item 6.

Dometic Corporation - Sanitation Systems
13128 State Rt. 226, P. O. Box 38
Big Prairie, OH 44611-0038 USA
Telephone: 330-439-5550
Fax: 330-496-3097
Email: sealand@dometicusa.com

P/N: 600347244
REV.: 01-09/15

PARTS LIST: 8165 MODEL

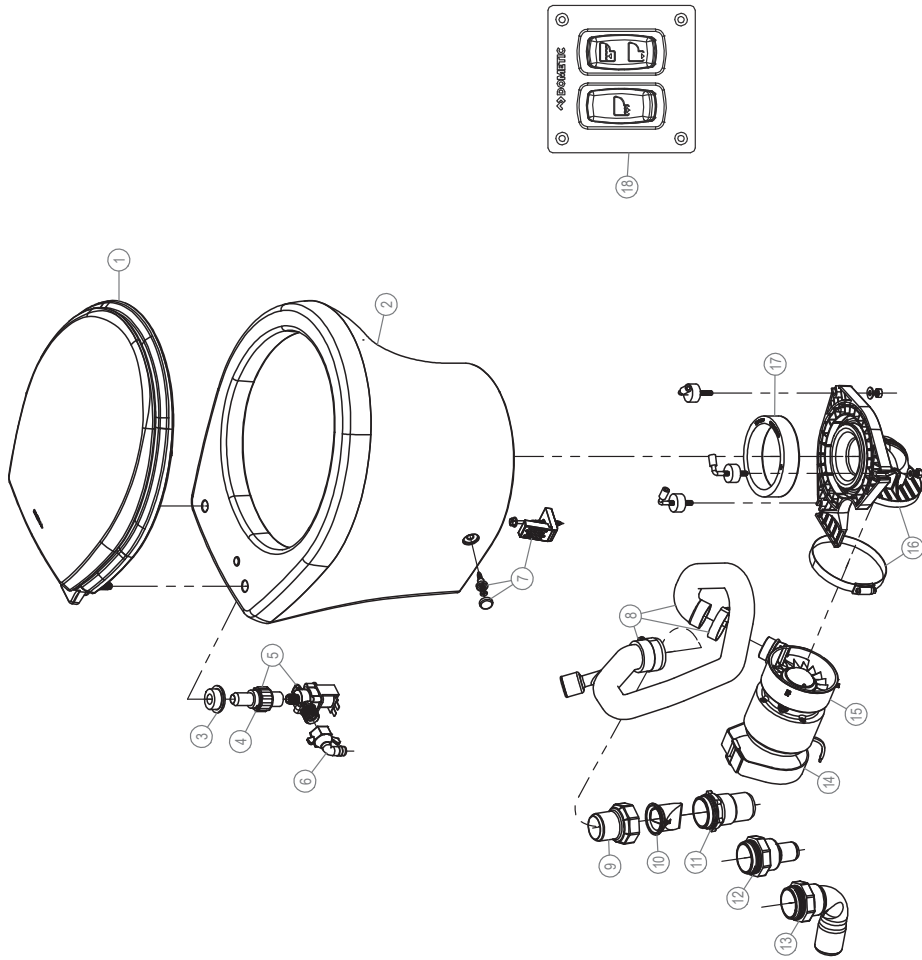


ITEM	PART NUMBER & DESCRIPTION
1	385311694 - SEAT/COVER WOOD - WHITE **Includes Mounting Hardware
2	385880076 - 8900/8100 SHORT SERIES BOWL KIT-WHITE
3	385311164 - 1/2" SEALING GROMMET
4	385312069 - 3/4" BOWL SUPPLY HOSE ADAPTER **Includes Item 3.
5	385311463 - BOWL MOUNTING HARDWARE KIT
6	385880065 - DISCHARGE TUBE REPLACEMENT KIT **Includes Clamps & Antisiphon Valve.
7	385880070 - DISCHARGE TUBE VALVE ADAPTER
8	385311620 - 1-1/2" CHECK VALVE
9	385311315 - 1-1/2" PUMP OUTLET FITTING
10	385880072 - 1" VALVE ADAPTER
11	385880067 - BOWL OUTLET ELBOW
12	385880068 - MOTOR/MACERATOR ASSY - 12VDC
13	385880083 - MOTOR/PUMP MOUNTING STRAP
14	385312071 - DOMETIC REMOTE WATER PUMP KIT - 12V **Includes Inline Strainer, & 3/4" Hose Fittings.
15	385311702 - DFST FLUSH SWITCH PANEL

Dometic Corporation - Sanitation Systems
13128 State Rt. 226, P.O. Box 38
Big Prairie, OH 44611-0038 USA
Telephone: 330-439-5550
Fax: 330-496-3097
Email: sealand@dometicusa.com

PARTS LIST: 8120 LOW-PROFILE MASTERFLUSH TOILET

ITEM	PART NUMBER & DESCRIPTION
1	385311694 - SEAT/COVER WOOD - WHITE 385311695 - SEAT/COVER WOOD - BONE **Includes Mounting Hardware.
2	385311378 - 4800/8900 LOW-PROFILE BOWL KIT-WHITE 385311379 - 4800/8900 LOW-PROFILE BOWL KIT-BONE
3	385311164 - 1/2" SEALING GROMMET
4	385880073 - CHECK/VALVE REPLACEMENT
5	385880074 - WATER VALVE KIT - 12VDC 385880075 - WATER VALVE KIT - 24VDC **Includes Items 3 & 4.
6	385311717 - KIT, 1/2" SWIVEL ELBOW
7	385311463 - BOWL MOUNTING HARDWARE KIT
8	385312149 - DISCHARGE TUBE REPLACEMENT KIT **Includes Clamps & Antisiphon Valve.
9	385880070 - DISCHARGE TUBE VALVE ADAPTER
10	385311620 - 1-1/2" CHECK VALVE
11	385311315 - 1-1/2" VALVE ADAPTER
12	385880072 - 1" VALVE ADAPTER
13	385880071 - 1-1/2" VALVE ADAPTER ELBOW
14	385880083 - MOTOR/PUMP MOUNTING STRAP
15	385880068 - MOTOR/MACERATOR ASSY - 12VDC 385880069 - MOTOR/MACERATOR ASSY - 24VDC
16	385312138 - BOWL TRANSITION ADAPTER KIT **Includes Item 17 & Mounting Hardware
17	385312137 - BOWL ADAPTER SEAL REPLACEMENT **Includes Mounting Hardware.
18	385311702 - DFST FLUSH SWITCH PANEL
NOT SHOWN	385311547 - WATER SUPPLY HOSE REPLACEMENT **Optional Item; Replaces Item 6.

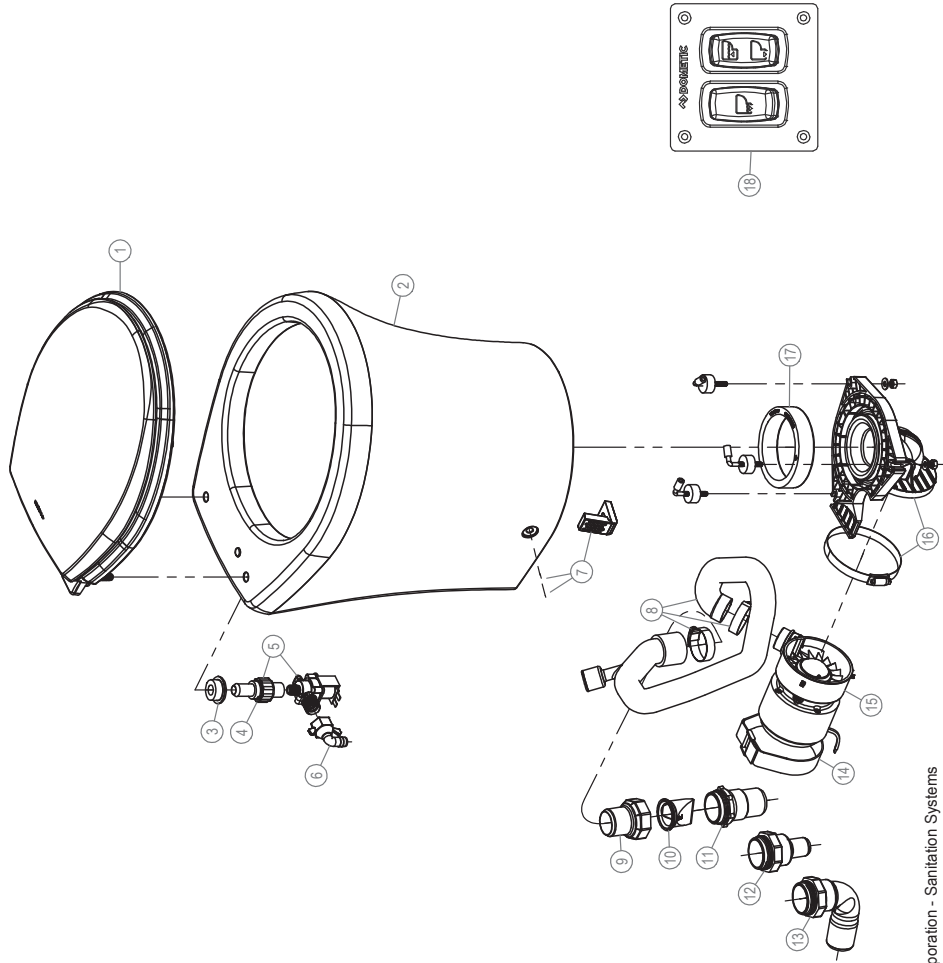


Dometic Corporation - Sanitation Systems
13128 State Rt. 226, P.O. Box 38
Big Prairie, OH 44611-0038 USA
Telephone: 330-439-5550
Fax: 330-496-3097
Email: sealand@dometicus.com

P/N: 600347485
REV.: 01-07/18

PARTS LIST: 8140 TALL MASTERFLUSH TOILET

ITEM	PART NUMBER & DESCRIPTION
1	385311694 - SEAT/COVER WOOD - WHITE 385311695 - SEAT/COVER WOOD - BONE ***Includes Mounting Hardware.
2	385311380 - 4800/8900 TALL BOWL KIT-WHITE 385311381 - 4800/8900 TALL BOWL KIT-BONE
3	385311164 - 1/2" SEALING GROMMET
4	385880073 - CHECKVALVE REPLACEMENT
5	385880074 - WATER VALVE KIT - 12VDC 385880075 - WATER VALVE KIT - 24VDC ***Includes Items 3 & 4.
6	385311717 - KIT, 1/2" SWIVEL ELBOW
7	385311463 - BOWL MOUNTING-HARDWARE KIT
8	385312149 - DISCHARGE TUBE REPLACEMENT KIT **Includes Clamps & Antisiphon Valve.
9	385880070 - DISCHARGE TUBE VALVE ADAPTER
10	385311620 - 1-1/2" CHECK VALVE
11	385311315 - 1-1/2" VALVE ADAPTER
12	385880072 - 1" VALVE ADAPTER
13	385880071 - 1-1/2" VALVE ADAPTER ELBOW
14	385880083 - MOTOR/PUMP MOUNTING STRAP
15	385880068 - MOTOR/MACERATOR ASSY - 12VDC 385880069 - MOTOR/MACERATOR ASSY - 24VDC
16	385312138 - BOWL TRANSITION ADAPTER KIT ***Includes Item 17 & Mounting Hardware
17	385312137 - BOWL ADAPTER SEAL REPLACEMENT ***Includes Mounting Hardware.
18	385311702 - DFST FLUSH SWITCH PANEL
NOT SHOWN	385311547 - WATER SUPPLY HOSE REPLACEMENT **Optional Item; Replaces Item 6.

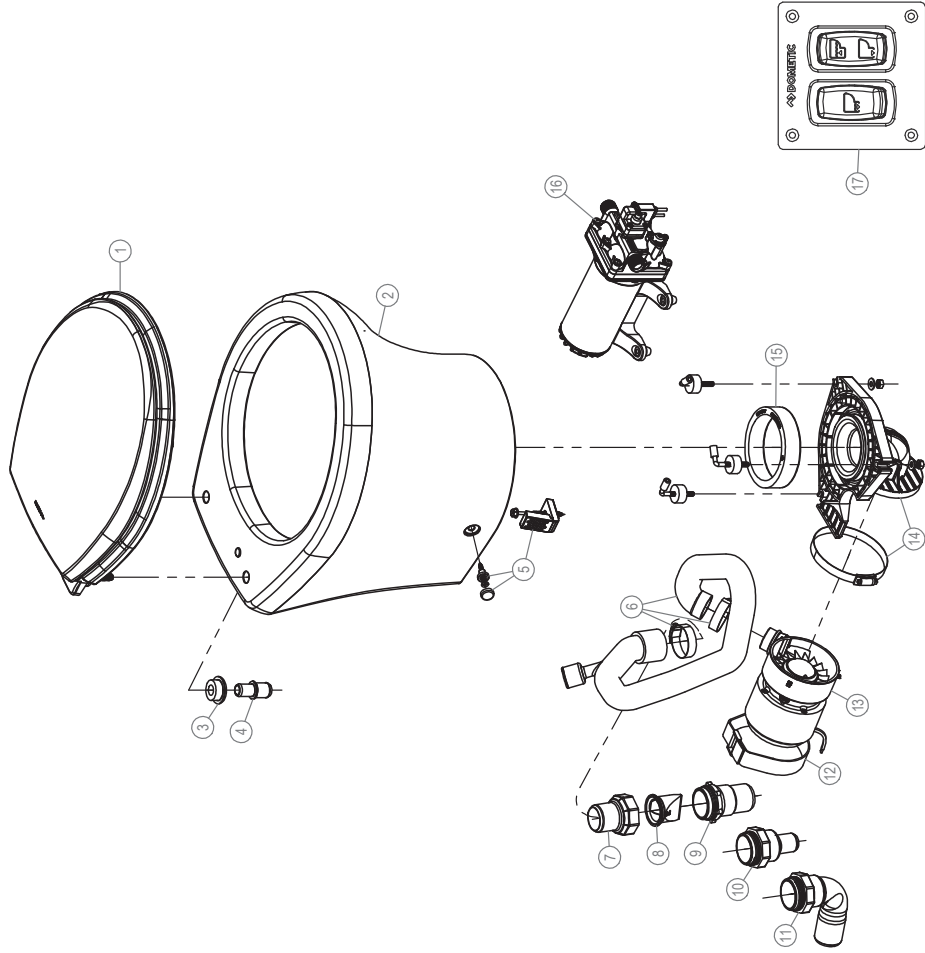


Domestic Corporation - Sanitation Systems
13128 State Rt. 226, P.O. Box 38
Big Prairie, OH 44611-0038 USA
Telephone: 330-439-5550
Fax: 330-496-3097
Email: sealand@domesticusa.com

P/N: 600347492
REV.: 01-08/18

PARTS LIST: 8165 LOW-PROFILE MASTERFLUSH TOILET / 304816510

ITEM	PART NUMBER & DESCRIPTION
1	385311694 - SEAT/COVER WOOD - WHITE **Includes Mounting Hardware.
2	385311378 - 4800/8900 LOW-PROFILE BOWL KIT-WHITE
3	385311164 - 1/2" SEALING GROMMET
5	385311463 - BOWL MOUNTING HARDWARE KIT
6	385312149 - DISCHARGE TUBE REPLACEMENT KIT **Includes Clamps & Antisiphon Valve.
7	385880070 - DISCHARGE TUBE VALVE ADAPTER
8	385311620 - 1-1/2" CHECK VALVE
9	385311315 - 1-1/2" VALVE ADAPTER
10	385880072 - 1" VALVE ADAPTER
11	385880071 - 1-1/2" VALVE ADAPTER ELBOW
12	385880083 - MOTOR/PUMP MOUNTING STRAP
13	385880068 - MOTOR/MACERATOR ASSY - 12VDC
14	385312138 - BOWL TRANSITION ADAPTER KIT **Includes Item 15 & Mounting Hardware
15	385312137 - BOWL ADAPTER SEAL REPLACEMENT **Includes Mounting Hardware.
16	385312071 - DOMETIC REMOTE WATER PUMP KIT - 12V **Includes Inline Strainer, & Hose Fittings.
17	385311702 - DFST FLUSH SWITCH PANEL.



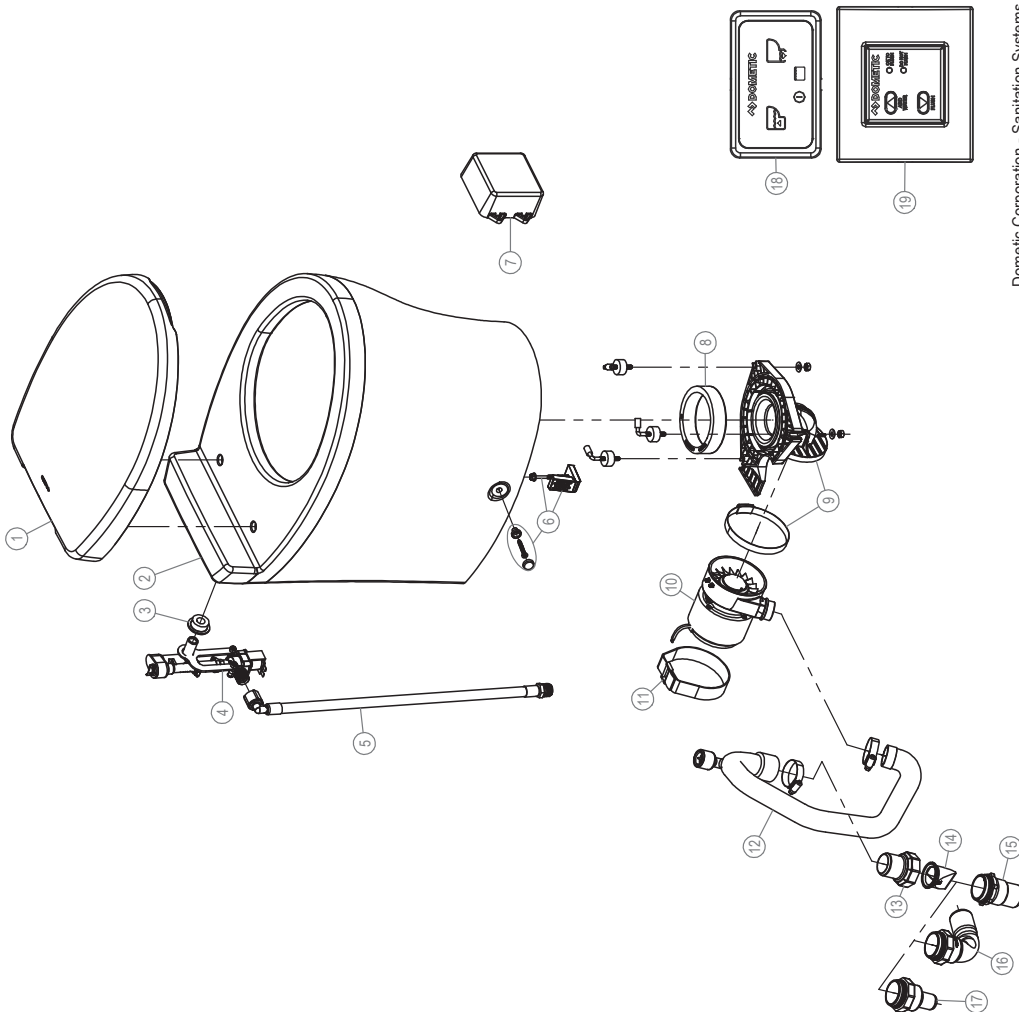
Dometic Corporation - Sanitation Systems
13128 State Rt. 226, P.O. Box 38
Big Prairie, OH 44611-0038 USA
Telephone: 330-439-5550
Fax: 330-496-3097
Email: sealand@dometicusa.com

P/N: 600347456
REV.: 01-08/18

PARTS LIST: 8540 TALL MASTERFLUSH TOILET

ITEM	PART NUMBER & DESCRIPTION
1	385312152 - MODERNO SEAT/COVER SOFT-CLOSE - WHITE **Includes Mounting Hardware.
2	385312154 - MODERNO TALL SERIES BOWL KIT - WHITE
3	385311164 - 1/2" SEALING GROMMET
4	385312135 - VACUUM BRK / WATER VALVE KIT - 12vdc 385312136 - VACUUM BRK / WATER VALVE KIT - 24vdc ** Includes Item 3.
5	385311547 - WATER SUPPLY HOSE REPLACEMENT
6	385311463 - BOWL MOUNTING HARDWARE KIT
7	385880085 - CONTROL MODULE 12/24VDC (DBL)
8	385312137 - BOWL ADAPTER SEAL REPLACEMENT **Includes Mounting Hardware.
9	385312138 - BOWL TRANSITION ADAPTER KIT **Includes Items 8 & Mounting Hardware.
10	385880068 - MOTOR/MACERATOR ASSY - 12VDC 385880069 - MOTOR/MACERATOR ASSY - 24VDC
11	385880083 - MOTOR/PUMP MOUNTING STRAP
12	385312139 - DISCHARGE TUBE REPLACEMENT KIT **Includes Clamps & Antisiphon Valve.
13	385880070 - DISCHARGE TUBE VALVE ADAPTER
14	385311620 - 1-1/2" CHECK VALVE
15	385311315 - 1-1/2" VALVE ADAPTER
16	385880071 - 1-1/2" VALVE ADAPTER ELBOW
17	385880072 - 1" VALVE ADAPTER
18	313600021 - DOMETIC TOUCHPAD FLUSH SWITCH - WHITE 313600022 - DOMETIC TOUCHPAD FLUSH SWITCH - BLACK
19**	313409010 - DOMETIC FLUSH CONTROL - STD GRAY 313409020 - DOMETIC FLUSH CONTROL - STD WHITE

**ITEMS ARE OPTIONAL ACCESSORIES SOLD SEPARATELY
& ARE NOT INCLUDED WITH EVERY MODEL.



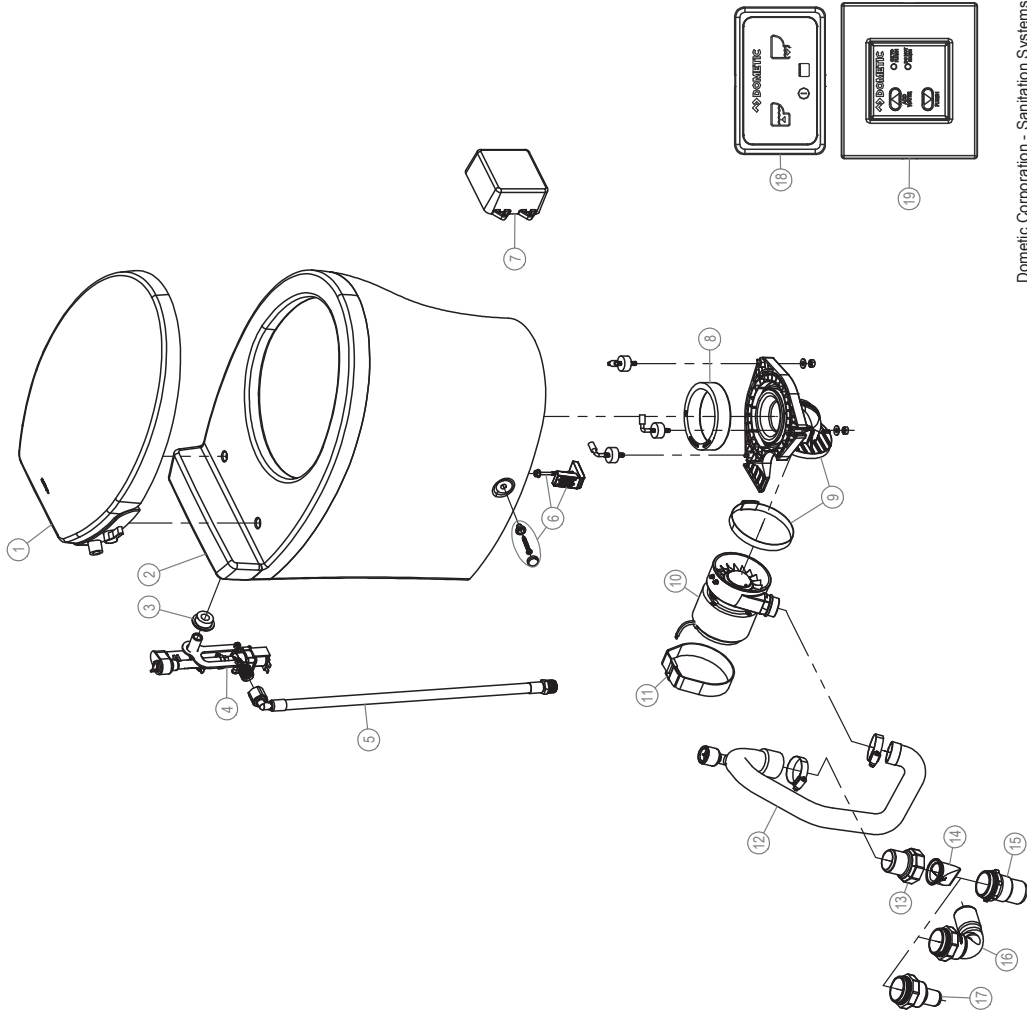
Domestic Corporation - Sanitation Systems
13128 Slate Rt. 226, P.O. Box 38
Big Prairie, OH 44611-0038 USA
Telephone: 330-439-5550
Fax: 330-496-3097
Email: sealand@domesticusa.com

P/N: 600347488
REV.: 01-08/18

PARTS LIST: 8541 TALL MASTERFLUSH TOILET w/BIDET

ITEM	PART NUMBER & DESCRIPTION
1	385312156 - MODERNO BIDET SEAT - WHT **Includes Mounting Hardware.
2	385312154 - MODERNO TALL SERIES BOWL KIT - WHITE
3	385311164 - 1/2" SEALING GROMMET
4	385312135 - VACUUM BRK / WATER VALVE KIT - 12vdc 385312136 - VACUUM BRK / WATER VALVE KIT - 24vdc ** Includes Item 3.
5	385311547 - WATER SUPPLY HOSE REPLACEMENT
6	385311463 - BOWL MOUNTING HARDWARE KIT
7	385880085 - CONTROL MODULE 12/24VDC (DBL)
8	385312137 - BOWL ADAPTER SEAL REPLACEMENT **Includes Mounting Hardware.
9	385312138 - BOWL TRANSITION ADAPTER KIT **Includes Items 8 & Mounting Hardware.
10	385880068 - MOTOR/MACERATOR ASSY - 12VDC 385880069 - MOTOR/MACERATOR ASSY - 24VDC
11	385880083 - MOTOR/PUMP MOUNTING STRAP
12	385312139 - DISCHARGE TUBE REPLACEMENT KIT **Includes Clamps & Antisiphon Valve.
13	385880070 - DISCHARGE TUBE VALVE ADAPTER
14	385311620 - 1-1/2" CHECK VALVE
15	385311315 - 1-1/2" VALVE ADAPTER
16	385880071 - 1-1/2" VALVE ADAPTER ELBOW
17	385880072 - 1" VALVE ADAPTER
18	313600021 - DOMETIC TOUCHPAD FLUSH SWITCH - WHITE 313600022 - DOMETIC TOUCHPAD FLUSH SWITCH - BLACK
19**	313409010 - DOMETIC FLUSH CONTROL - STD GRAY 313409020 - DOMETIC FLUSH CONTROL - STD WHITE

**ITEMS ARE OPTIONAL ACCESSORIES SOLD SEPARATELY
& ARE NOT INCLUDED WITH EVERY MODEL.

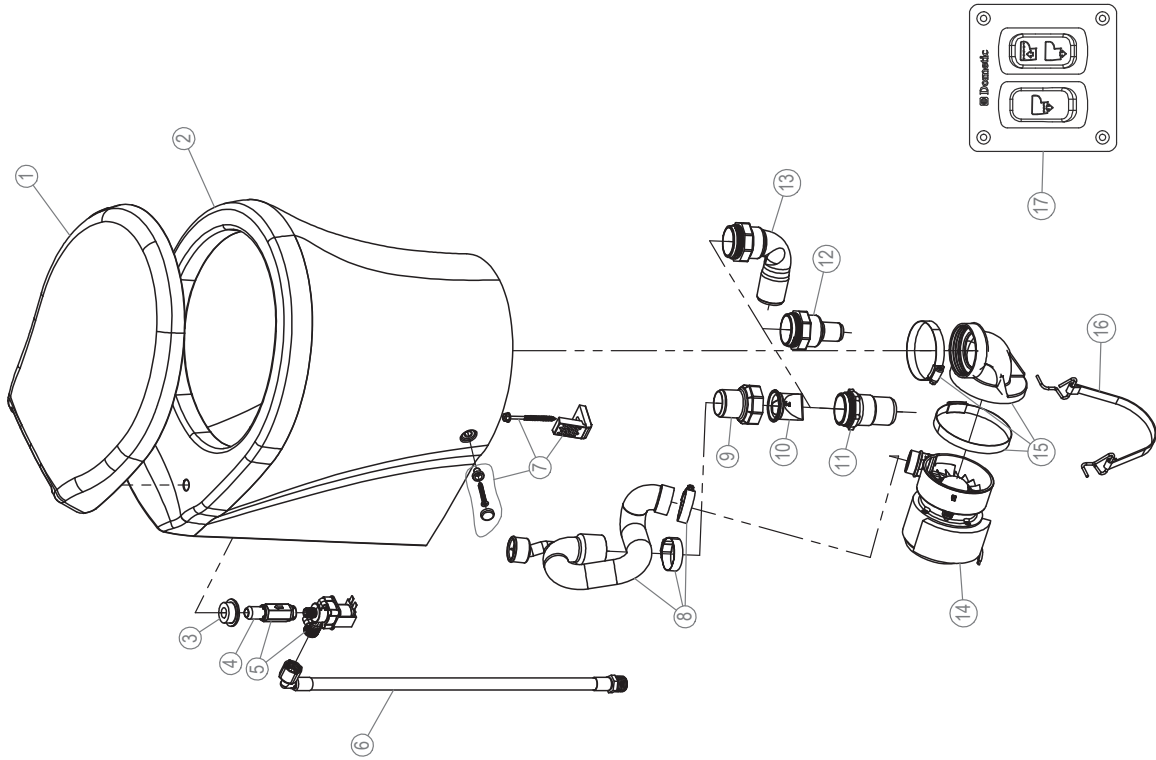


Domestic Corporation - Sanitation Systems
13128 State Rt. 226, P.O. Box. 38
Big Prairie, OH 44611-0038 USA
Telephone: 330-439-5550
Fax: 330-496-3097
Email: seatland@domesticusa.com

P/N: 600346564
REV.: 06-08/14

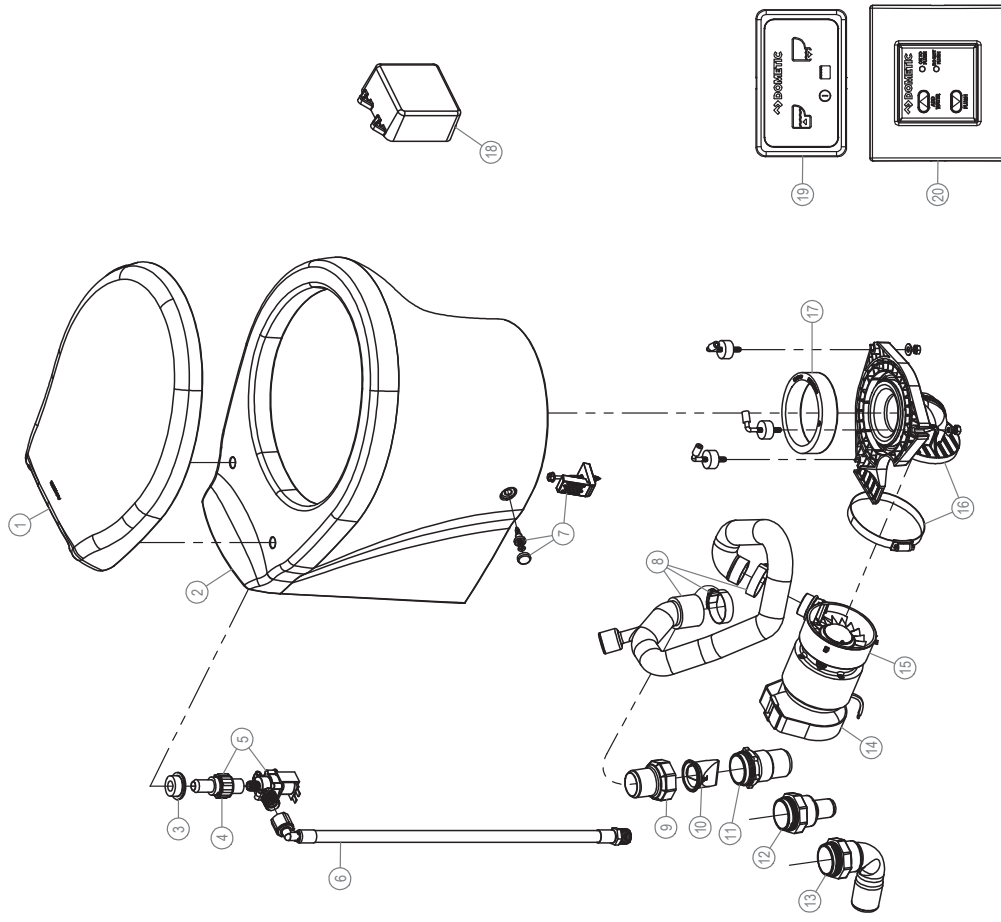
PARTS LIST: 8600 TALL MODEL - 304860901

ITEM	PART NUMBER & DESCRIPTION
1	385311618 - SEAT/COVER SLOW-CLOSE KIT - WHITE
2	385312036 - 8600 TALL BOTTOM DISCHARGE BOWL KIT - WHITE
3	385311164 - 1/2" SEALING GROMMET
4	385880073 - CHECKVALVE REPLACEMENT
5	385880074 - WATER VALVE KIT - 12VDC **Includes Items 3 & 4.
6	385311547 - WATER SUPPLY HOSE REPLACEMENT
7	385311463 - BOWL MOUNTING HARDWARE KIT
8	385312038 - DISCHARGE TUBE **Includes Anti-Siphon Valve.
9	385880070 - DISCHARGE TUBE VALVE ADAPTER
10	385311620 - 1-1/2" CHECK VALVE
11	385311315 - 1-1/2" PUMP OUTLET FITTING
12	385880072 - 1" VALVE ADAPTER
13	385880071 - 1-1/2" VALVE ADAPTER ELBOW
14	385311928 - MOTOR/MACERATOR w/CAPACITOR - 12VDC
15	385880067 - BOWL OUTLET ELBOW
16	385880083 - MOTOR/PUMP MOUNTING STRAP
17	385311702 - DFST FLUSH SWITCH PANEL
NOT SHOWN	385312031 - REPLACEMENT MOTOR CAPACITOR KIT **Includes Wire Connectors.



Domestic Corporation - Sanitation Systems
13128 Slate Rt. 226, P.O. Box 38
Big Prairie, OH 44611-0038 USA
Telephone: 330-439-5550
Fax: 330-496-3097
Email: sealand@domesticusa.com

PARTS LIST: 8620 LOW-PROFILE MASTERFLUSH TOILET

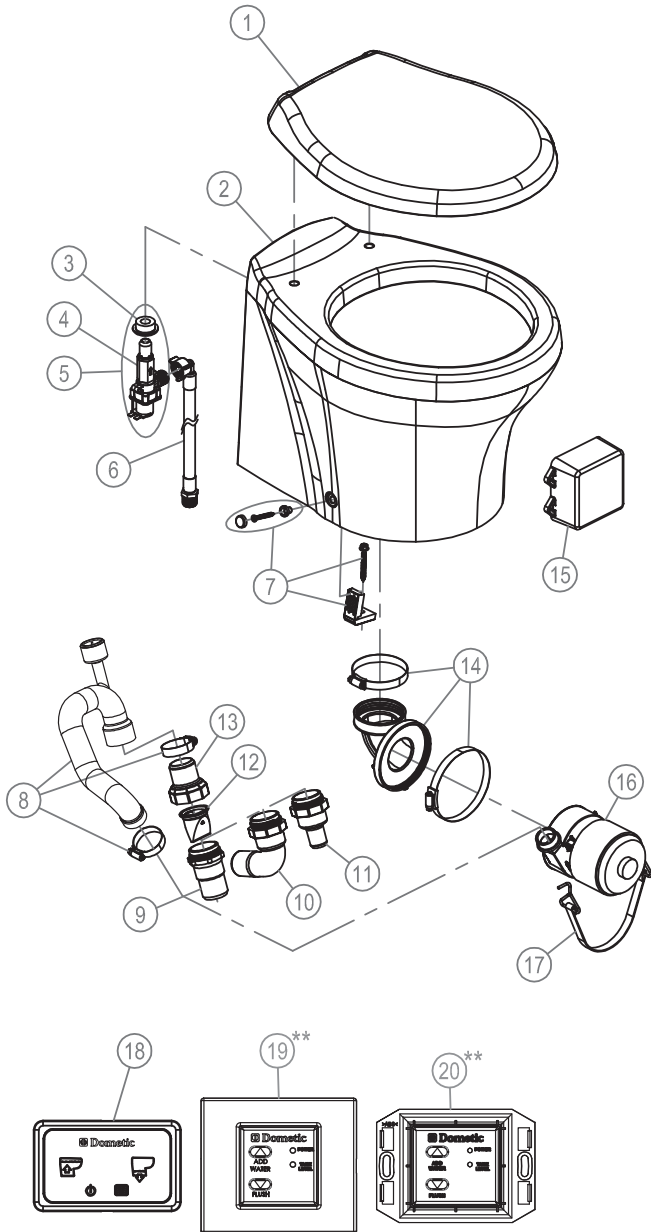


ITEM	PART NUMBER & DESCRIPTION
1	385311618 - SEAT/COVER SLOW-CLOSE KIT - WHITE
	385311619 - SEAT/COVER SLOW-CLOSE KIT - BONE **Includes Mounting Hardware.
2	385312158 - 4600/8600 LOW-PROFILE BOWL KIT-WHITE
	385312159 - 4600/8600 LOW-PROFILE BOWL KIT-BONE
3	385311164 - 1/2" SEALING GROMMET
4	385880073 - CHECK/VALVE REPLACEMENT
5	385880074 - WATER VALVE KIT - 12VDC
	385880075 - WATER VALVE KIT - 24VDC **Includes Items 3 & 4.
6	385311547 - WATER SUPPLY HOSE REPLACEMENT
7	385311463 - BOWL MOUNTING HARDWARE KIT
8	385312149 - DISCHARGE TUBE REPLACEMENT KIT
	**Includes Clamps & Antisiphon Valve.
9	385880070 - DISCHARGE TUBE VALVE ADAPTER
10	385311620 - 1-1/2" CHECK VALVE
11	385311315 - 1-1/2" VALVE ADAPTER
12	385880072 - 1" VALVE ADAPTER
13	385880071 - 1-1/2" VALVE ADAPTER ELBOW
14	385880083 - MOTOR/PUMP MOUNTING STRAP
15	385880068 - MOTOR/MACERATOR ASSY - 12VDC
	385880069 - MOTOR/MACERATOR ASSY - 24VDC
16	385312138 - BOWL TRANSITION ADAPTER KIT
	**Includes Item 17 & Mounting Hardware
17	385312137 - BOWL ADAPTER SEAL REPLACEMENT
	**Includes Mounting Hardware.
18	385880085 - CONTROL MODULE 12/24VDC (DBL)
	313600021 - DOMETIC TOUCHPAD FLUSH SWITCH - WHITE
19	313600022 - DOMETIC TOUCHPAD FLUSH SWITCH - BLACK
	**Includes Connector Cable Kit 385880082.
**20	313409010 - DOMETIC FLUSH CONTROL - GRAY
	313409020 - DOMETIC FLUSH CONTROL - WHITE **Includes Connector Cable Kit 385880082.

**ITEMS ARE OPTIONAL ACCESSORIES SOLD SEPARATELY
 & NOT INCLUDED WITH EVERY MODEL.

Dometic Corporation - Sanitation Systems
 13128 State Rt. 226, P.O. Box 38
 Big Prairie, OH 44611-0038 USA
 Telephone: 330-439-5550
 Fax: 330-496-3097
 Email: sealand@dometicus.com

PARTS LIST: 8600 LOW PROFILE SERIES



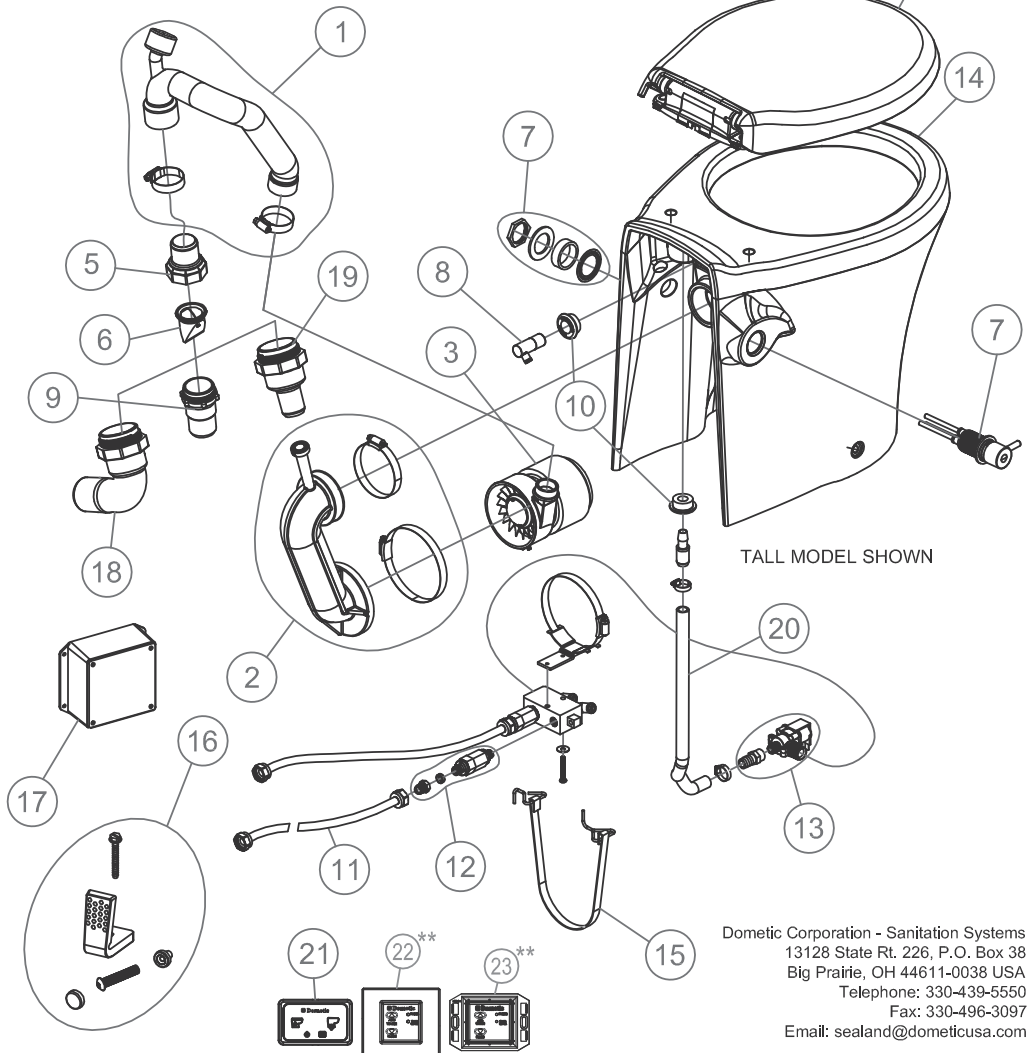
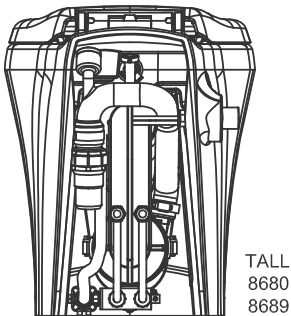
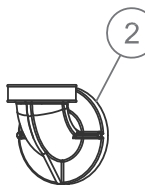
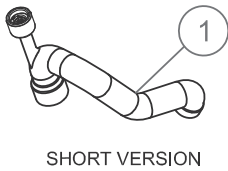
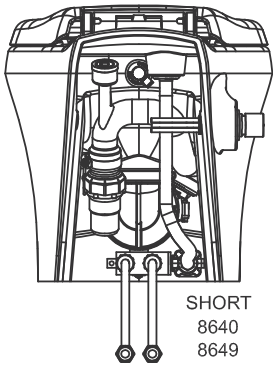
ITEM	PART NUMBER & DESCRIPTION
1	385311618 SEAT/COVER SLOW CLOSE - WHITE 385311619 SEAT/COVER SLOW CLOSE - BONE
2	385311768 8600 SHORT SERIES BOWL KIT - WHITE 385311769 8600 SHORT SERIES BOWL KIT - BONE
3	385311164 1/2" SEALING GROMMET
4	385880073 CHECKVALVE REPLACEMENT
5	385880074 WATER VALVE KIT - 12VDC 385880075 WATER VALVE KIT - 24VDC **INCLUDES ITEM 3 & 4.
6	385311547 WATER SUPPLY HOSE REPLACEMENT
7	385311463 BOWL MOUNTING HARDWARE KIT
8	385880065 DISCHARGE TUBE - SHORT SERIES **INCLUDES ANTISIPHON VALVE.
9	385311315 1-1/2" VALVE ADAPTER
10	385880071 1-1/2" VALVE ADAPTER ELBOW
11	385880072 1" VALVE ADAPTER
12	385311620 1-1/2" CHECK VALVE
13	385880070 DISCHARGE TUBE VALVE ADAPTER
14	385880067 BOWL OUTLET ELBOW
15	385880085 CONTROL MODULE 12/24VDC (DBL)
16	385880068 MOTOR/MACERATOR ASSY - 12VDC 385880069 MOTOR/MACERATOR ASSY - 24VDC
17	385880083 MOTOR/MAC MOUNTING STRAP
18	313600021 DOMETIC TOUCHPAD FLUSH SWITCH - WHITE 313600022 DOMETIC TOUCHPAD FLUSH SWITCH - BLACK
19**	313409010 DOMETIC FLUSH CONTROL-STD GRAY 313409020 DOMETIC FLUSH CONTROL- STD WHITE
20**	313409030 DOMETIC FLUSH CONTROL-PLAYBUS GRAY
NOT SHOWN	385880082 DOMETIC TOUCHPAD FLUSH SWITCH CABLE
NOT SHOWN	385880081 VIMAR/GEWISS FLUSH SWITCH WIRE HARNESS

** ITEMS 19 & 20:
ARE OPTIONAL ACCESSORIES SOLD SEPARATELY & ARE NOT
INCLUDED OR PROVIDED WITH EVERY MODEL.

PARTS LIST: 8600 SERIES WITH BIDET

ITEM	PART NO.	DESCRIPTION	ITEM	PART NO.	DESCRIPTION
1	385880065	KIT, TUBE OUTLET SHORT M'FLUSH	12	385311727	KIT, BIDET CHECKVALVE
	385311760	KIT, PUMP OUTLET TUBE-8600	13	385311851	KIT, W'VALVE 12V-8640/49/80/89
2	385880067	KIT, BOWL OUTLET M'FLUSH (SHORT MODEL)		385311852	KIT, W'VALVE 24V-8640/49/80/89
	385311761	KIT, BOWL OUTLET TUBE- (TALL MODEL)	14	385311853	KIT, BOWL SHORT 8640/86/49-WHT
3	385880068	KIT, MOTOR ASSEMBLY 12VDC M'FLUSH		385311854	KIT, BOWL TALL 8680/8689-WHT
	385880069	KIT, MOTOR ASSEMBLY 24VDC M'FLUSH	15	385880083	KIT, STRAP MOTOR M'FLUSH
4	385311618	KIT, SEAT/CVR SLOW-CLOSE/WHT		385311762	KIT, MOTOR SUPT STRAP-26"
5	385880070	KIT, ADAPTER M'FLUSH	16	385311463	KIT, 4800 CHINA MTG
6	385311620	KIT, DB VALVE 1-1/2"-BLACK (1)	17	385880085	KIT, CONTROL MOD-8600
7	385311721	KIT, BIDET FLUSH VALVE	18	385880071	KIT, 1-1/2" OUTLET EL-M'FLUSH
8	385311722	KIT, BIDET NOZEL	19	385880072	KIT, 1" OUTLET FITTING-M'FLUSH
9	385311315	KIT, NIPPLE-RH THREADS 1-1/2"	20	385345377	KIT, SUPPLY HOSE-WHITE
10	385311164	KIT, SEALING GROMMET 1/2"	21	313600021	DOMETIC TOUCHPAD FLUSH SWITCH-WHITE
11	385311018	KIT, PLUG-IN SUPPLY HOSE		313600022	DOMETIC TOUCHPAD FLUSH SWITCH-BONE
N/S	385880082	KIT, CABLE FLSH SW TOUCHPAD	22**	313409010	DOMETIC FLUSH CONTROL-STD GRAY
				313409020	DOMETIC FLUSH CONTROL-STD WHITE
			23**	313409030	DOMETIC FLUSH CONTROL-PLAYBUS GRAY
			N/S	385880081	KIT, HARNESS FLSH SW VIMAR - GEWISS

** ITEMS 22 & 23:
ARE OPTIONAL ACCESSORIES SOLD
SEPARATELY & ARE NOT INCLUDED OR
PROVIDED WITH EVERY MODEL.

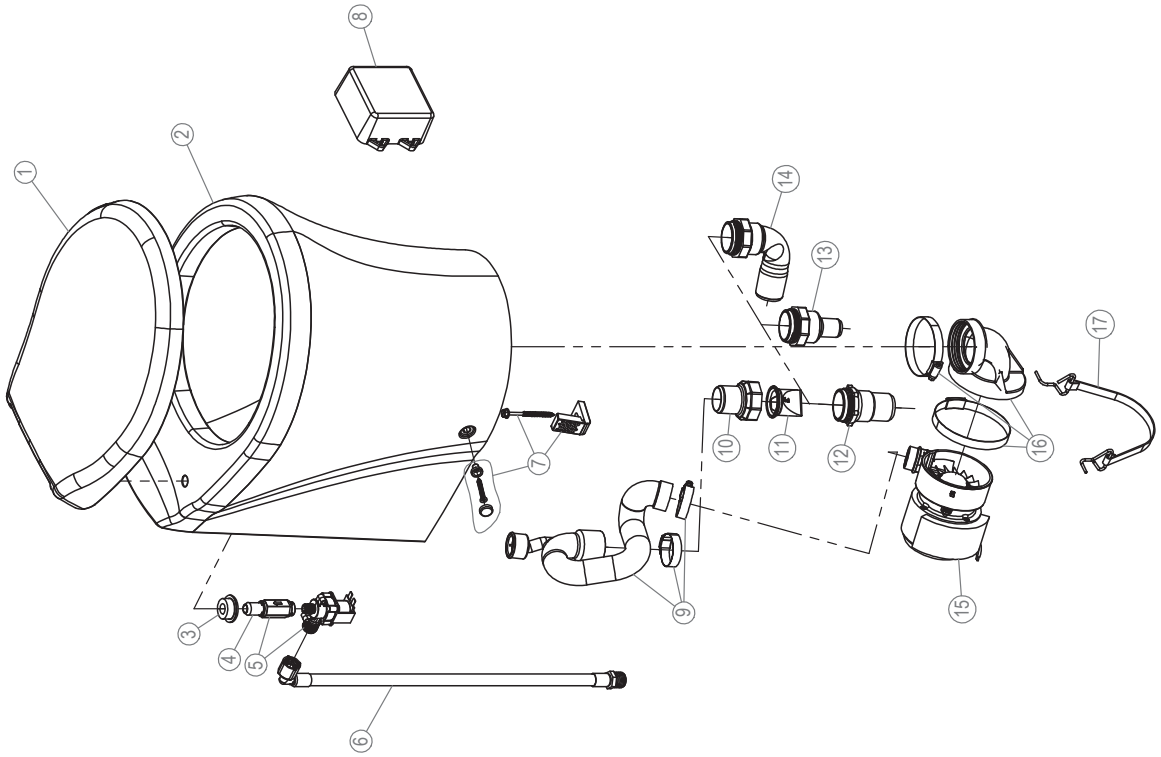


Dometic Corporation - Sanitation Systems
13128 State Rt. 226, P.O. Box 38
Big Prairie, OH 44611-0038 USA
Telephone: 330-439-5550
Fax: 330-496-3097
Email: sealand@dometicusa.com

P/N: 600347141
REV.: 02-08/14

PARTS LIST: 8600 TALL MODEL - 304864005

ITEM	PART NUMBER & DESCRIPTION
1	385311618 - SEAT/COVER SLOW-CLOSE KIT - WHITE
2	385312036 - 8600 TALL BOTTOM DISCHARGE BOWL KIT - WHITE
3	385311164 - 1/2" SEALING GROMMET
4	385880073 - CHECKVALVE REPLACEMENT
5	385880075 - WATER VALVE KIT - 24VDC **Includes Items 3 & 4.
6	385311547 - WATER SUPPLY HOSE REPLACEMENT
7	385311463 - BOWL MOUNTING HARDWARE KIT
8	385880085 - CONTROL MODULE 12/24VDC (DBL)
9	385312038 - DISCHARGE TUBE **Includes Anti-Siphon.
10	385880070 - DISCHARGE TUBE VALVE ADAPTER
11	385311620 - 1-1/2" CHECK VALVE
12	385311315 - 1-1/2" PUMP OUTLET FITTING
13	385880072 - 1" VALVE ADAPTER
14	385880071 - 1-1/2" VALVE ADAPTER ELBOW
15	385880069 - MOTOR/MACERATOR ASSY - 24VDC
16	385880067 - BOWL OUTLET ELBOW
17	385880083 - MOTOR/PUMP MOUNTING STRAP

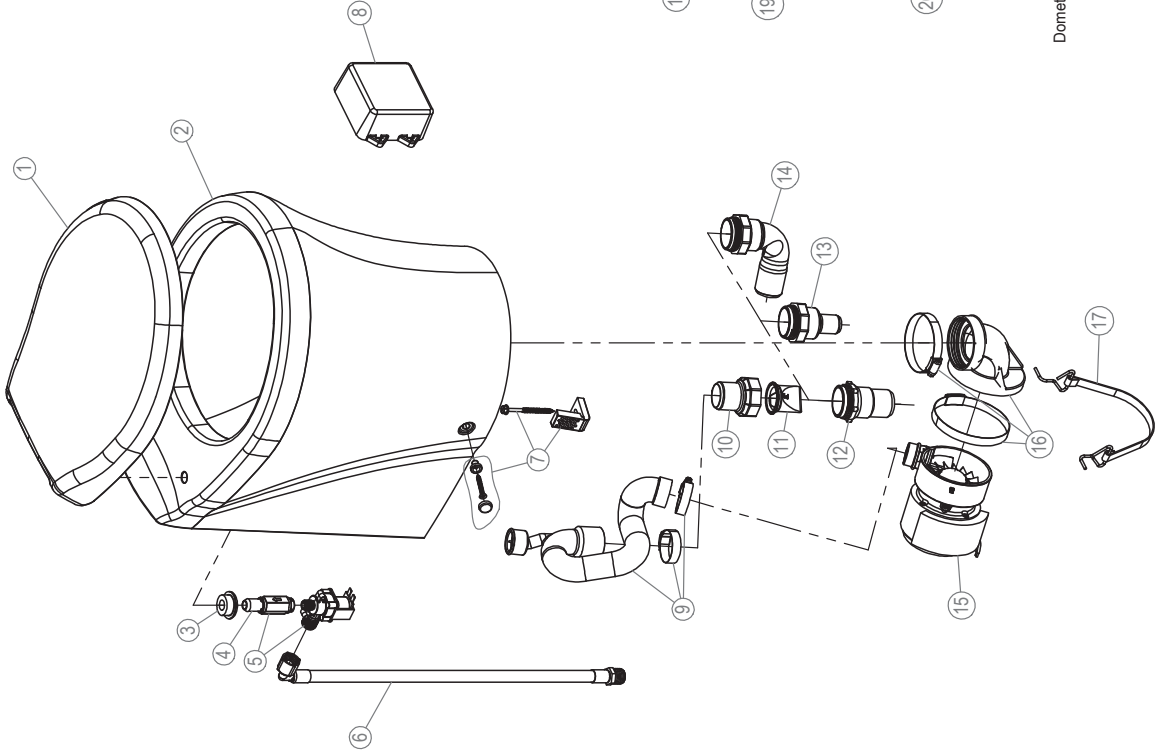


Dometic Corporation - Sanitation Systems
13128 State Rt. 226, P.O. Box 38
Big Prairie, OH 44611-0038 USA
Telephone: 330-439-5550
Fax: 330-496-3097
Email: sealand@dometicususa.com

P/N: 600347144
REV.: 02-08/14

PARTS LIST: 8600 TALL STANDARD MODELS 304864010; 304864011; 304864012 & 304864013

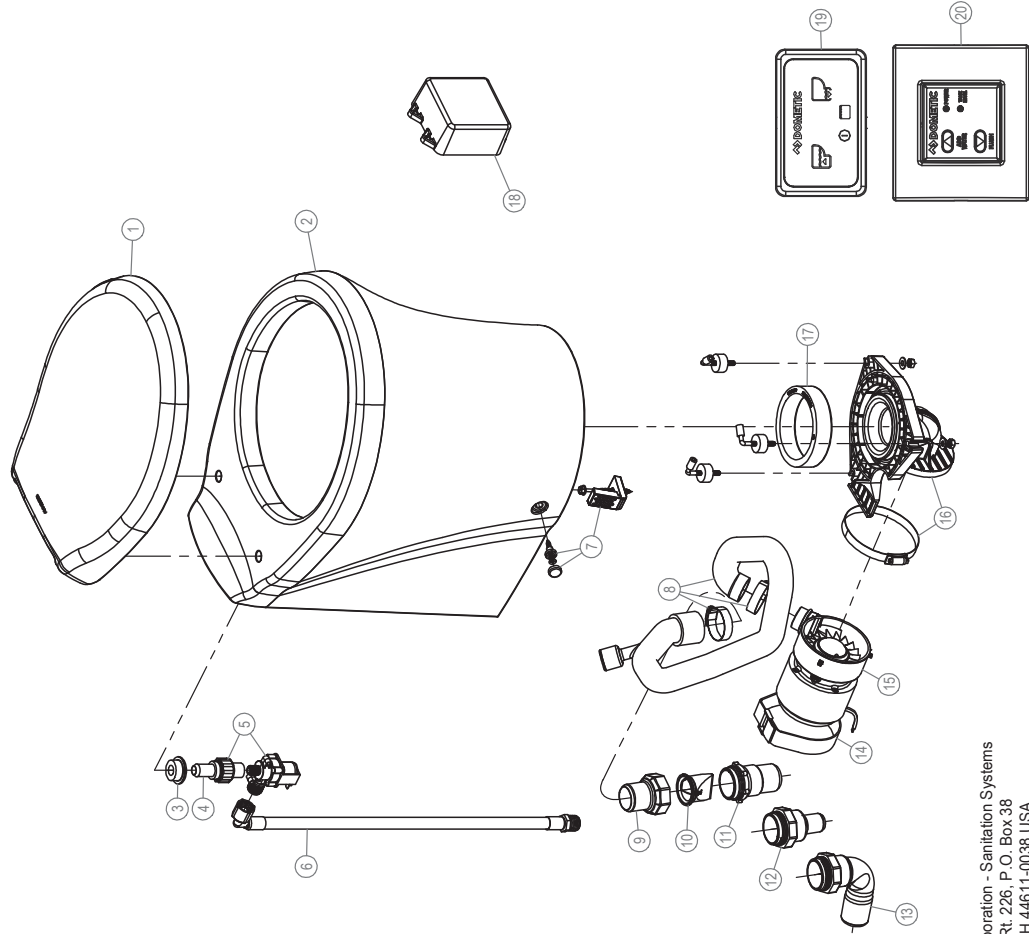
ITEM	PART NUMBER & DESCRIPTION
1	385311618 - SEAT/COVER SLOW-CLOSE KIT - WHITE 385311619 - SEAT/COVER SLOW-CLOSE KIT - BONE
2	385312036 - 8600 TALL BOTTOM DISCHARGE BOWL KIT - WHITE 385312037 - 8600 TALL BOTTOM DISCHARGE BOWL KIT - BONE
3	385311164 - 1/2" SEALING GROMMET
4	385880073 - CHECKVALVE REPLACEMENT
5	385880074 - WATER VALVE KIT - 12VDC 385880075 - WATER VALVE KIT - 24VDC **Includes Items 3 & 4.
6	385311547 - WATER SUPPLY HOSE REPLACEMENT
7	385311463 - BOWL MOUNTING HARDWARE KIT
8	385880085 - CONTROL MODULE 12/24VDC (DBL)
9	385312038 - DISCHARGE TUBE **Includes Anti-Siphon.
10	385880070 - DISCHARGE TUBE VALVE ADAPTER
11	385311620 - 1-1/2" CHECK VALVE
12	385311315 - 1-1/2" PUMP OUTLET FITTING
13	385880072 - 1" VALVE ADAPTER
14	385880071 - 1-1/2" VALVE ADAPTER ELBOW
15	385880068 - MOTOR/MACERATOR ASSY - 12VDC 385880069 - MOTOR/MACERATOR ASSY - 24VDC
16	385880067 - BOWL OUTLET ELBOW
17	385880083 - MOTOR/PUMP MOUNTING STRAP
18	313600021 - DOMETIC TOUCHPAD FLUSH SWITCH - WHITE 313600022 - DOMETIC TOUCHPAD FLUSH SWITCH - BLACK
19*	313409010 - DOMETIC FLUSH CONTROL - STD GRAY 313409020 - DOMETIC FLUSH CONTROL - STD WHITE
20*	313409030 - DOMETIC FLUSH CONTROL-PLAYBUS GRAY
NOT SHOWN	385880081 - VIMAR/GEWISS FLUSH SWITCH WIRE HARNESS 385880082 - DOMETIC TOUCHPAD FLUSH SWITCH CABLE



Dometic Corporation - Sanitation Systems
13128 State Rt. 226, P. O. Box 38
Big Prairie, OH 44611-0038 USA
Telephone: 330-439-5550
Fax: 330-496-3097
Email: sealand@dometicusa.com

*Items 19 & 20 are optional accessories sold separately & are not included or provided with every model.

PARTS LIST: 8640 TALL MASTERFLUSH TOILET



ITEM	PART NUMBER & DESCRIPTION
1	385311618 - SEAT/COVER SLOW-CLOSE KIT - WHITE 385311619 - SEAT/COVER SLOW-CLOSE KIT - BONE **Includes Mounting Hardware.
2	385311870 - 4600/8600 TALL BOWL KIT-WHITE 385311871 - 4600/8600 TALL BOWL KIT-BONE
3	385311164 - 1/2" SEALING GROMMET
4	385880073 - CHECKVALVE REPLACEMENT
5	385880074 - WATER VALVE KIT - 12VDC 385880075 - WATER VALVE KIT - 24VDC **Includes Items 3 & 4.
6	385311547 - WATER SUPPLY HOSE REPLACEMENT
7	385311463 - BOWL MOUNTING HARDWARE KIT
8	385312149 - DISCHARGE TUBE REPLACEMENT KIT **Includes Clamps & Antisiphon Valve.
9	385880070 - DISCHARGE TUBE VALVE ADAPTER
10	385311620 - 1-1/2" CHECK VALVE
11	385311315 - 1-1/2" VALVE ADAPTER
12	385880072 - 1" VALVE ADAPTER
13	385880071 - 1-1/2" VALVE ADAPTER ELBOW
14	385880083 - MOTOR/PUMP MOUNTING STRAP
15	385880068 - MOTOR/MACERATOR ASSY - 12VDC 385880069 - MOTOR/MACERATOR ASSY - 24VDC
16	385312138 - BOWL TRANSITION ADAPTER KIT **Includes Item 17 & Mounting Hardware
17	385312137 - BOWL ADAPTER SEAL REPLACEMENT **Includes Mounting Hardware.
18	385880085 - CONTROL MODULE 12/24VDC (DBL)
19	313600021 - DOMETIC TOUCHPAD FLUSH SWITCH - WHITE 313600022 - DOMETIC TOUCHPAD FLUSH SWITCH - BLACK **Includes Connector Cable Kit 385880082.
20**	313409010 - DOMETIC FLUSH CONTROL - STD GRAY 313409020 - DOMETIC FLUSH CONTROL - STD WHITE

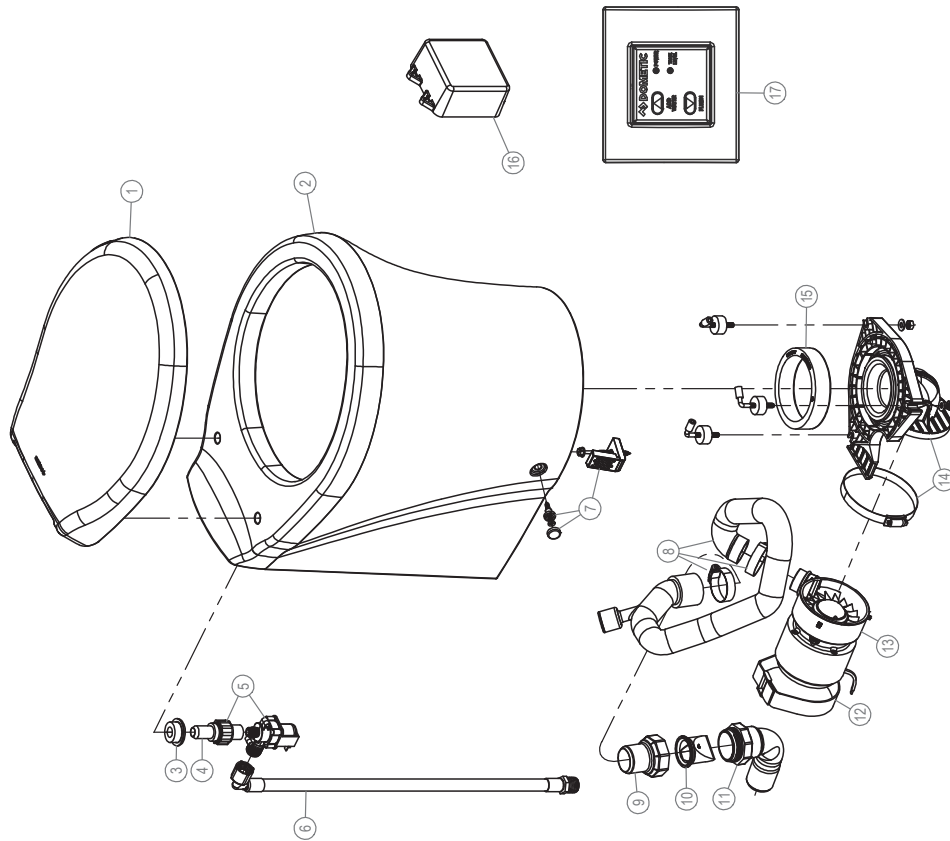
***ITEMS ARE OPTIONAL ACCESSORIES SOLD SEPARATELY & ARE NOT INCLUDED WITH EVERY MODEL.

Dometic Corporation - Sanitation Systems
13128 Stale Rt. 226, P.O. Box 38
Big Prairie, OH 44611-0038 USA
Telephone: 330-439-5550
Fax: 330-496-3097
Email: seeland@dometicusa.com

P/N: 600347499
REV.: 01-09/18

PARTS LIST: 8640 TALL MASTERFLUSH TOILET / 304864023

ITEM	PART NUMBER & DESCRIPTION
1	385311618 - SEAT/COVER SLOW-CLOSE KIT - WHITE **Includes Mounting Hardware.
2	385311870 - 4600/8600 TALL BOWL KIT-WHITE
3	385311164 - 1/2" SEALING GROMMET
4	385880073 - CHECKVALVE REPLACEMENT
5	385880075 - WATER VALVE KIT - 24VDC **Includes Items 3 & 4.
6	385311547 - WATER SUPPLY HOSE REPLACEMENT
7	385311463 - BOWL MOUNTING HARDWARE KIT
8	385312149 - DISCHARGE TUBE REPLACEMENT KIT **Includes Clamps & Antisiphon Valve.
9	385880070 - DISCHARGE TUBE VALVE ADAPTER
10	385311620 - 1-1/2" CHECK VALVE
11	385880071 - 1-1/2" VALVE ADAPTER ELBOW
12	385880083 - MOTOR/PUMP MOUNTING STRAP
13	385880069 - MOTORMACERATOR ASSY - 24VDC
14	385312138 - BOWL TRANSITION ADAPTER KIT **Includes Item 17 & Mounting Hardware
15	385312137 - BOWL ADAPTER SEAL REPLACEMENT **Includes Mounting Hardware.
16	385880085 - CONTROL MODULE 12/24VDC (DBL)
17	313409020 - DOMETIC FLUSH CONTROL - STD WHITE

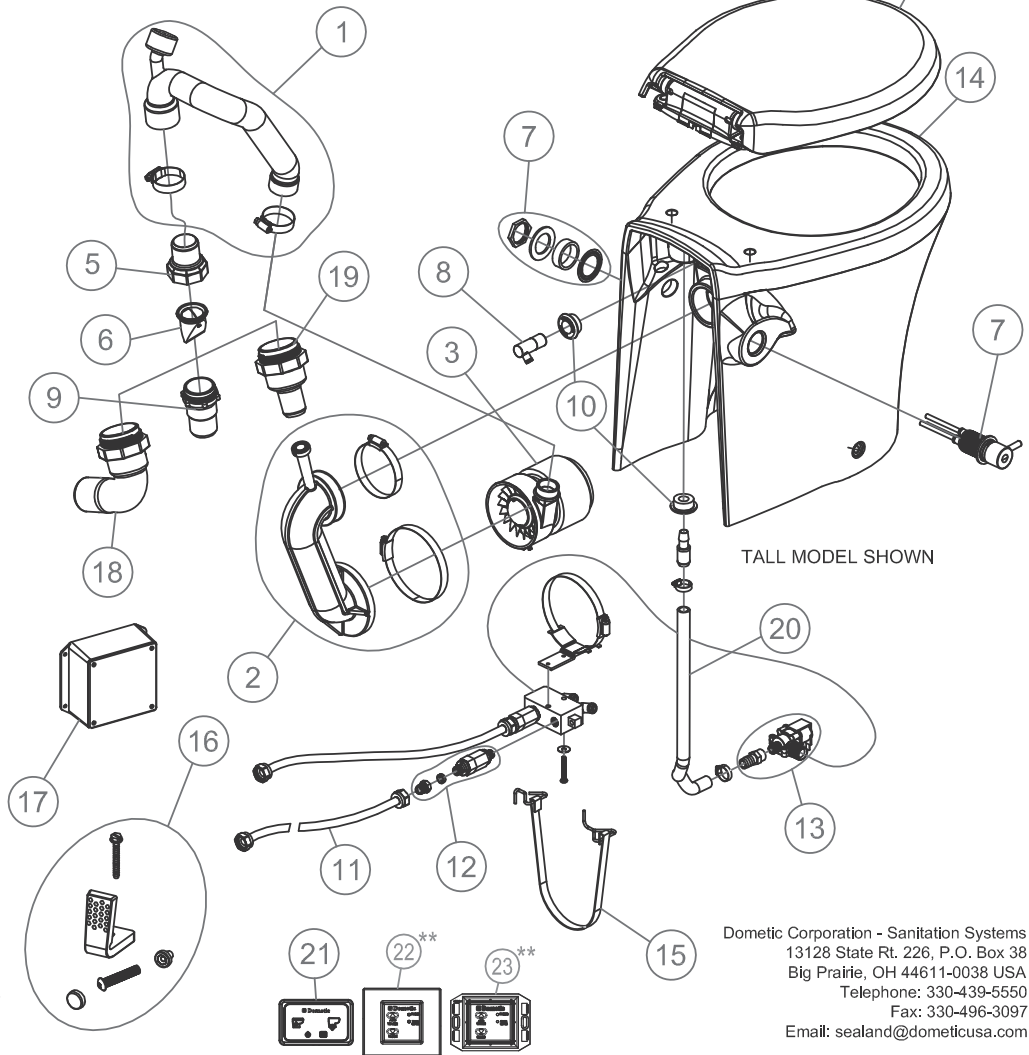
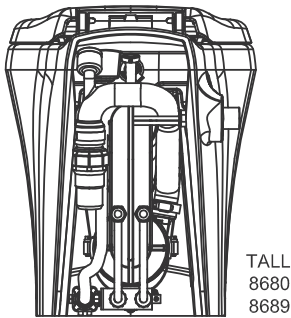
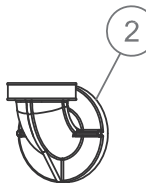
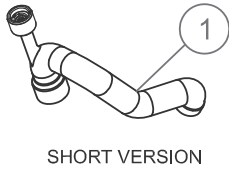
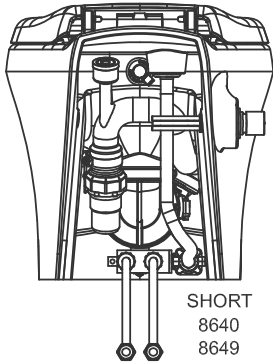


Dometic Corporation - Sanitation Systems
13128 State Rt. 226, P.O. Box 38
Big Prairie, OH 44611-0038 USA
Telephone: 330-439-5550
Fax: 330-496-3097
Email: sealand@dometicusa.com

PARTS LIST: 8600 SERIES WITH BIDET

ITEM	PART NO.	DESCRIPTION	ITEM	PART NO.	DESCRIPTION
1	385880065	KIT, TUBE OUTLET SHORT M'FLUSH	12	385311727	KIT, BIDET CHECKVALVE
	385311760	KIT, PUMP OUTLET TUBE-8600	13	385311851	KIT, W'VALVE 12V-8640/49/80/89
2	385880067	KIT, BOWL OUTLET M'FLUSH (SHORT MODEL)		385311852	KIT, W'VALVE 24V-8640/49/80/89
	385311761	KIT, BOWL OUTLET TUBE- (TALL MODEL)	14	385311853	KIT, BOWL SHORT 864086/49-WHT
3	385880068	KIT, MOTOR ASSEMBLY 12VDC M'FLUSH		385311854	KIT, BOWL TALL 8680/8689-WHT
	385880069	KIT, MOTOR ASSEMBLY 24VDC M'FLUSH	15	385880083	KIT, STRAP MOTOR M'FLUSH
4	385311618	KIT, SEAT/CVR SLOW-CLOSE/WHT		385311762	KIT, MOTOR SUPT STRAP-26"
5	385880070	KIT, ADAPTER M'FLUSH	16	385311463	KIT, 4800 CHINA MTG
6	385311620	KIT, DB VALVE 1-1/2"-BLACK (1)	17	385880085	KIT, CONTROL MOD-8600
7	385311721	KIT, BIDET FLUSH VALVE	18	385880071	KIT, 1-1/2" OUTLET EL-M'FLUSH
8	385311722	KIT, BIDET NOZEL	19	385880072	KIT, 1" OUTLET FITTING-M'FLUSH
9	385311315	KIT, NIPPLE-RH THREADS 1-1/2"	20	385345377	KIT, SUPPLY HOSE-WHITE
10	385311164	KIT, SEALING GROMMET 1/2"	21	313600021	DOMETIC TOUCHPAD FLUSH SWITCH-WHITE
11	385311018	KIT, PLUG-IN SUPPLY HOSE		313600022	DOMETIC TOUCHPAD FLUSH SWITCH-BONE
N/S	385880082	KIT, CABLE FLSH SW TOUCHPAD	22**	313409010	DOMETIC FLUSH CONTROL-STD GRAY
				313409020	DOMETIC FLUSH CONTROL-STD WHITE
			23**	313409030	DOMETIC FLUSH CONTROL-PLAYBUS GRAY
			N/S	385880081	KIT, HARNESS FLSH SW VIMAR - GEWISS

** ITEMS 22 & 23:
ARE OPTIONAL ACCESSORIES SOLD
SEPARATELY & ARE NOT INCLUDED OR
PROVIDED WITH EVERY MODEL.

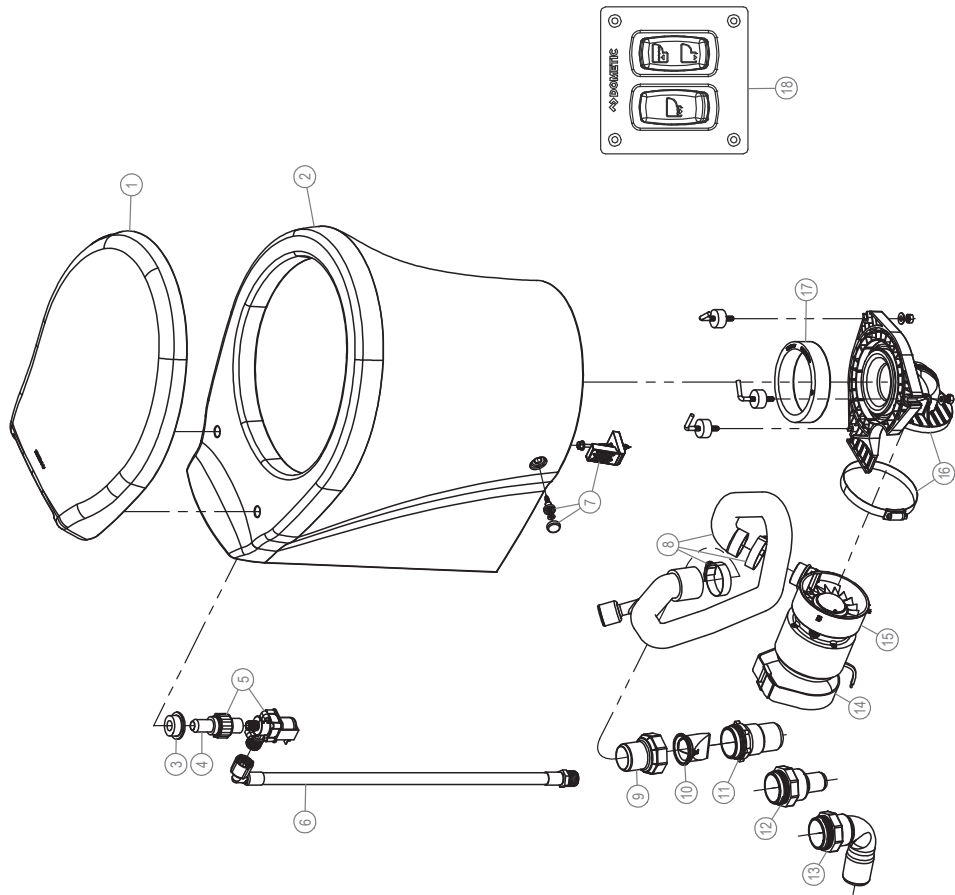


Dometic Corporation - Sanitation Systems
13128 State Rt. 226, P.O. Box 38
Big Prairie, OH 44611-0038 USA
Telephone: 330-439-5550
Fax: 330-496-3097
Email: sealand@dometicusa.com

P/N: 600347482
REV.: 01-07/18

PARTS LIST: 8649 TALL MASTERFLUSH TOILET / 304864910 & 304864911

ITEM	PART NUMBER & DESCRIPTION
1	385311618 - SEAT/COVER SLOW-CLOSE KIT - WHITE **Includes Mounting Hardware.
2	385311870 - 4600/8600 TALL BOWL KIT-WHITE
3	385311164 - 1/2" SEALING GROMMET
4	385880073 - CHECKVALVE REPLACEMENT
5	385880074 - WATER VALVE KIT - 12VDC 385880075 - WATER VALVE KIT - 24VDC **Includes Items 3 & 4.
6	385311547 - WATER SUPPLY HOSE REPLACEMENT
7	385311463 - BOWL MOUNTING HARDWARE KIT
8	385312149 - DISCHARGE TUBE REPLACEMENT KIT **Includes Clamps & Antisiphon Valve.
9	385880070 - DISCHARGE TUBE VALVE ADAPTER
10	385311620 - 1-1/2" CHECK VALVE
11	385311315 - 1-1/2" VALVE ADAPTER
12	385880072 - 1" VALVE ADAPTER
13	385880071 - 1-1/2" VALVE ADAPTER ELBOW
14	385880083 - MOTOR/PUMP MOUNTING STRAP
15	385880068 - MOTORMACERATOR ASSY - 12VDC 385880069 - MOTORMACERATOR ASSY - 24VDC
16	385312138 - BOWL TRANSITION ADAPTER KIT **Includes Item 17 & Mounting Hardware
17	385312137 - BOWL ADAPTER SEAL REPLACEMENT **Includes Mounting Hardware.
18	385311702 - DFST FLUSH SWITCH PANEL

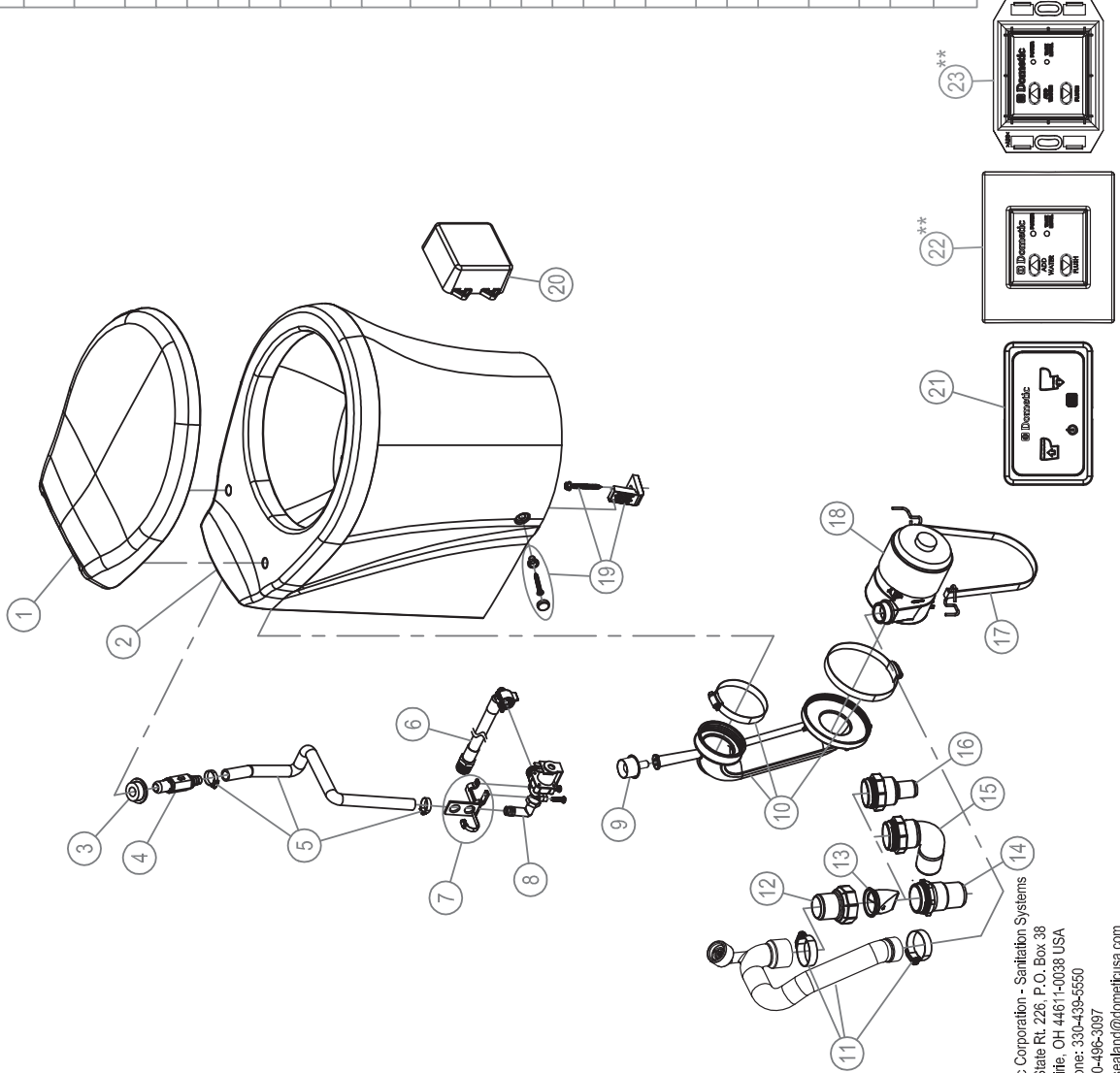


Dometic Corporation - Sanitation Systems
13128 State Rt. 226, P.O. Box 38
Big Prairie, OH 44611-0038 USA
Telephone: 330-439-5550
Fax: 330-496-3097
Email: sealano@dometicususa.com

P/N: 600346484
REV.: 04-01/15

PARTS LIST: 8600 TALL SERIES

ITEM	PART NUMBER & DESCRIPTION
1	385311618 SEAT/COVER SLOW CLOSE - WHITE 385311383 SEAT/COVER - BONE
2	385311758 8600 TALL SERIES BOWL KIT - WHITE 385311759 8600 TALL SERIES BOWL KIT - BONE
3	385311164 1/2" SEALING GROMMET
4	385311456 CHECK/VALVE REPLACEMENT
5	385345277 BOWL WATER SUPPLY HOSE
6	385311547 WATER SUPPLY HOSE REPLACEMENT
7	385311705 WATER VALVE MOUNTING BRACKET KIT
8	385311545 WATER VALVE KIT - 12VDC 385311546 WATER VALVE KIT - 24VDC
9	385312013 BOWL OUTLET TUBE FLAPPER VALVE
10	385311761 BOWL OUTLET TUBE **INCLUDES ITEM 9.
11	385311760 DISCHARGE TUBE - 8600 TALL SERIES **INCLUDES ANTISIPHON VALVE.
12	385311070 DISCHARGE TUBE VALVE ADAPTER
13	385311620 1-1/2" CHECK VALVE
14	385311315 1-1/2" VALVE ADAPTER
15	385880071 1-1/2" VALVE ADAPTER ELBOW
16	385880072 1" VALVE ADAPTER
17	385311762 MOTOR/MAC MOUNTING STRAP
18	385880068 MOTOR/MACERATOR ASSY - 12VDC 385880069 MOTOR/MACERATOR ASSY - 24VDC
19	385311463 BOWL MOUNTING HARDWARE KIT
20	385311875 CONTROL MODULE 1/2/24VDC (DBH)
21	313600021 DOMETIC TOUCHPAD FLUSH SWITCH - WHITE 313600022 DOMETIC TOUCHPAD FLUSH SWITCH - BLACK
22**	313409010 DOMETIC FLUSH CONTROL-STD GRAY 313409020 DOMETIC FLUSH CONTROL- STD WHITE
23**	313409030 DOMETIC FLUSH CONTROL-PLAYBUS GRAY
NOT SHOWN	385880082 DOMETIC TOUCHPAD FLUSH SWITCH CABLE
NOT SHOWN	385880081 VIMAR/GEMISS FLUSH SWITCH WIRE HARNESS



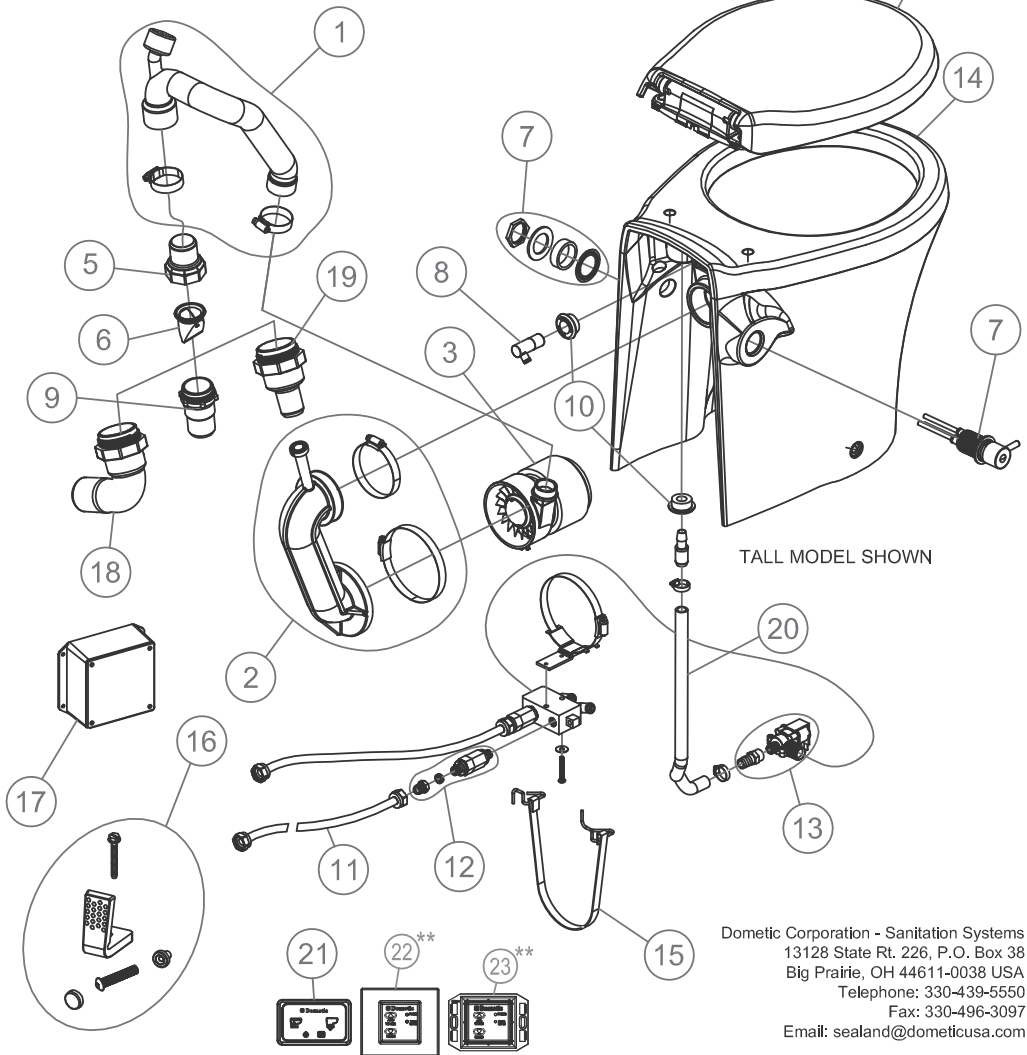
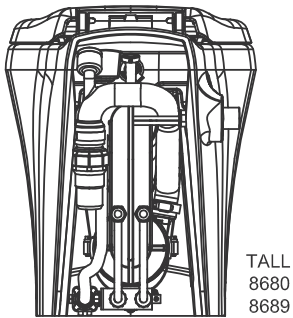
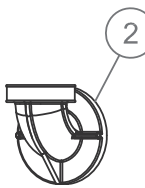
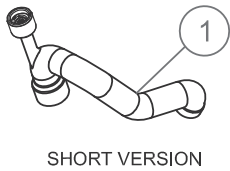
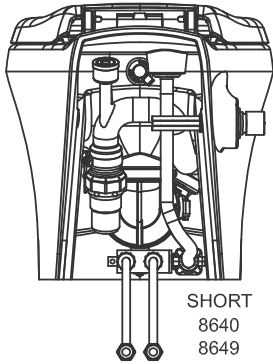
** ITEMS 22 & 23:
ARE OPTIONAL ACCESSORIES SOLD SEPARATELY & ARE NOT
INCLUDED OR PROVIDED WITH EVERY MODEL.

Domestic Corporation - Sanitation Systems
13128 State Rt. 226, P.O. Box 38
Big Prairie, OH 44611-0038 USA
Telephone: 330-496-5550
Fax: 330-496-3097
Email: sealand@domesticusa.com

PARTS LIST: 8600 SERIES WITH BIDET

ITEM	PART NO.	DESCRIPTION	ITEM	PART NO.	DESCRIPTION
1	385880065	KIT, TUBE OUTLET SHORT M'FLUSH	12	385311727	KIT, BIDET CHECKVALVE
	385311760	KIT, PUMP OUTLET TUBE-8600		385311851	KIT, W'VALVE 12V-8640/49/80/89
2	385880067	KIT, BOWL OUTLET M'FLUSH (SHORT MODEL)	13	385311852	KIT, W'VALVE 24V-8640/49/80/89
	385311761	KIT, BOWL OUTLET TUBE- (TALL MODEL)		385311853	KIT, BOWL SHORT 864086/49-WHT
3	385880068	KIT, MOTOR ASSEMBLY 12VDC M'FLUSH	14	385311854	KIT, BOWL TALL 8680/8689-WHT
	385880069	KIT, MOTOR ASSEMBLY 24VDC M'FLUSH		385880083	KIT, STRAP MOTOR M'FLUSH
4	385311618	KIT, SEAT/CVR SLOW-CLOSE/WHT	15	385311762	KIT, MOTOR SUPT STRAP-26"
5	385880070	KIT, ADAPTER M'FLUSH	16	385311463	KIT, 4800 CHINA MTG
6	385311620	KIT, DB VALVE 1-1/2"-BLACK (1)	17	385880085	KIT, CONTROL MOD-8600
7	385311721	KIT, BIDET FLUSH VALVE	18	385880071	KIT, 1-1/2" OUTLET EL-M'FLUSH
8	385311722	KIT, BIDET NOZEL	19	385880072	KIT, 1" OUTLET FITTING-M'FLUSH
9	385311315	KIT, NIPPLE-RH THREADS 1-1/2"	20	385345377	KIT, SUPPLY HOSE-WHITE
10	385311164	KIT, SEALING GROMMET 1/2"	21	313600021	DOMETIC TOUCHPAD FLUSH SWITCH-WHITE
11	385311018	KIT, PLUG-IN SUPPLY HOSE		313600022	DOMETIC TOUCHPAD FLUSH SWITCH-BONE
N/S	385880082	KIT, CABLE FLSH SW TOUCHPAD	22**	313409010	DOMETIC FLUSH CONTROL-STD GRAY
				313409020	DOMETIC FLUSH CONTROL-STD WHITE
			23**	313409030	DOMETIC FLUSH CONTROL-PLAYBUS GRAY
			N/S	385880081	KIT, HARNESS FLSH SW VIMAR - GEWISS

** ITEMS 22 & 23:
ARE OPTIONAL ACCESSORIES SOLD
SEPARATELY & ARE NOT INCLUDED OR
PROVIDED WITH EVERY MODEL.

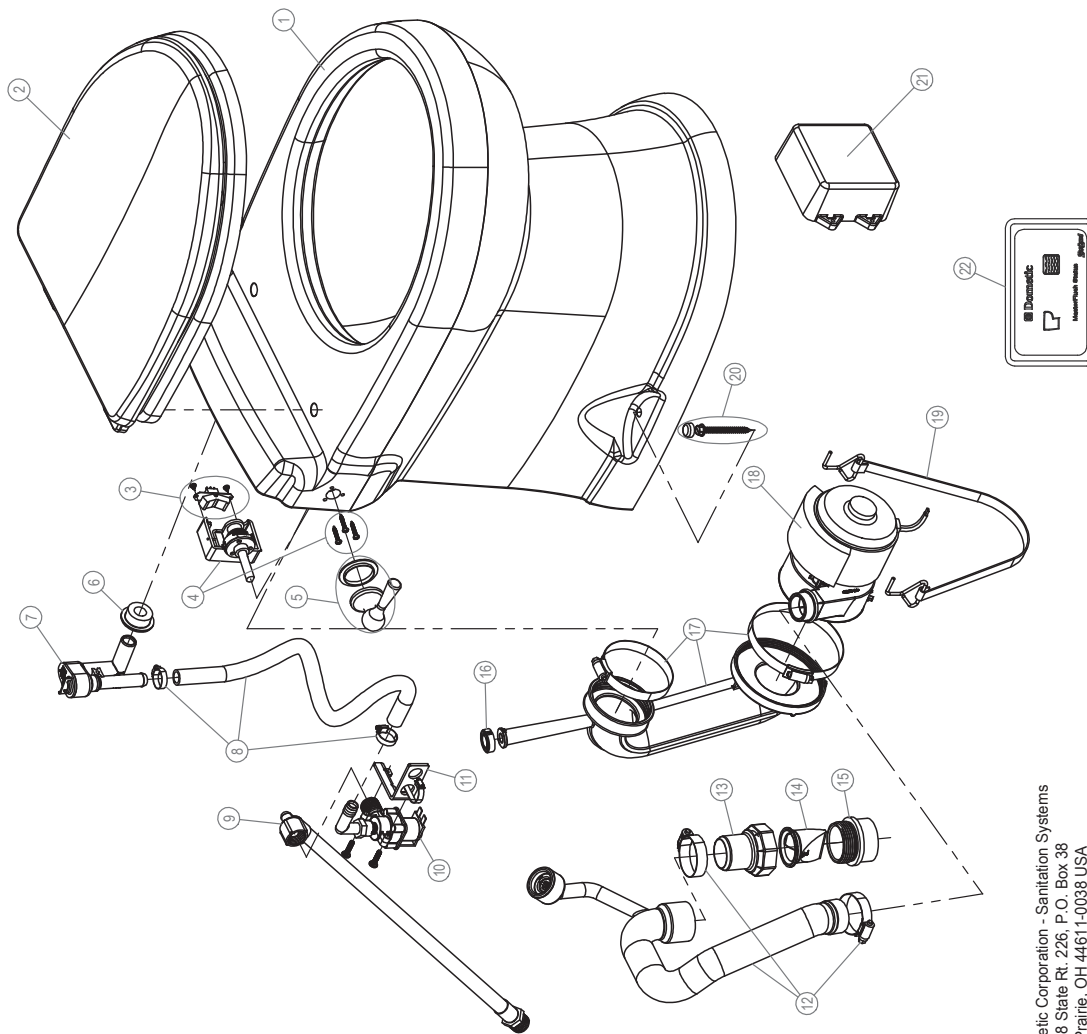


Dometic Corporation - Sanitation Systems
13128 State Rt. 226, P.O. Box 38
Big Prairie, OH 44611-0038 USA
Telephone: 330-439-5550
Fax: 330-496-3097
Email: sealand@dometicusa.com

P/N: 600346991
REV.: 01-05/13

PARTS LIST: 8700 MODEL (304874001)

ITEM	PART NUMBER & DESCRIPTION
1	385311935 - 8700 SERIES BOWL KIT - BONE
2	385311006 - SEAT/COVER WOOD - BONE
3	385311703 - FLUSH HANDLE SWITCH w/WIRING HARNESS
4	385311704 - FLUSH HANDLE ASSEMBLY **INCLUDES ITEM #3.
5	385310962 - FLUSH HANDLE (CHORME)
6	385311164 - 1/2" SEALING GROMMET
7	385311906 - VACUUM BREAKER KIT **INCLUDES ITEM #6.
8	385345377 - BOWL WATER SUPPLY HOSE
9	385311547 - WATER SUPPLY HOSE REPLACEMENT
10	385311545 - WATER VALVE KIT - 12VDC
11	385311705 - WATER VALVE MOUNTING BRACKET KIT
12	385311706 - DISCHARGE TUBE - 8700 SERIES **INCLUDES ANTI-SIPHON VALVE.
13	385880070 - DISCHARGE TUBE VALVE ADAPTER
14	385311620 - 1-1/2" CHECK VALVE
15	385311967 - 1-1/2" SPIGOT ADAPTER
16	385311707 - BOWL OUTLET TUBE FLAPPER VALVE
17	385311708 - BOWL OUTLET TUBE **INCLUDES ITEM #16
18	385880068 - MOTOR/MACERATOR ASSY - 12VDC
19	385311779 - MOTOR/MAC MOUNTING STRAP
20	385311022 - BOWL MOUNTING HARDWARE
21	385311875 - CONTROL MODULE 12/24VDC (DBH)
22	313722000 - DOMETIC MASTERFLUSH STATUS PANEL-BLK
NOT SHOWN	385311781 - FLUSH SWITCH WIRE HARNESS - 8700 SERIES

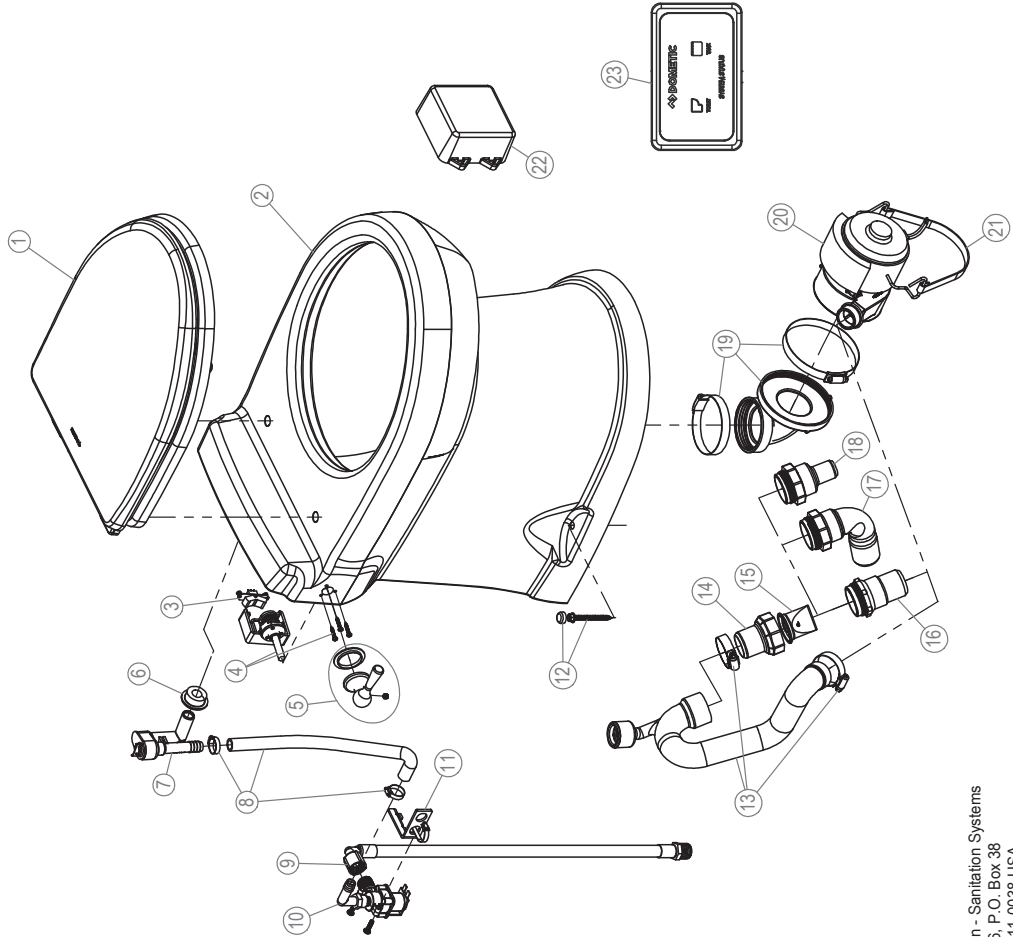


Domestic Corporation - Sanitation Systems
13128 Slate Rt. 226, P.O. Box 38
Big Prairie, OH 44611-0038 USA
Telephone: 330-439-5550
Fax: 330-496-3097
E-mail: sealand@domesticusa.com

P/N: 600347065
REV.: 03-08/17

PARTS LIST: 8700 TALL SERIES w/ FLUSH HANDLE VERSION

ITEM	PART NUMBER & DESCRIPTION
1	385311005 - SEAT/COVER WOOD - WHITE 385311006 - SEAT/COVER WOOD - BONE 385311597 - SEAT/COVER WOOD - EBONY
2	385312023 - 8700 BOTTOM DISCHARGE BOWL KIT-WHITE 385312024 - 8700 BOTTOM DISCHARGE BOWL KIT-BONE 385312025 - 8700 BOTTOM DISCHARGE BOWL KIT-EBONY
3	385311703 - FLUSH HANDLE SWITCH w/WIRING HARNESS
4	385311704 - FLUSH HANDLE ASSEMBLY **Includes Item #3.
5	385310962 - FLUSH HANDLE KIT - CHROME 385310963 - FLUSH HANDLE KIT - GOLD 385311141 - FLUSH HANDLE KIT - NICKLE
6	385311164 - 1/2" SEALING GROMMET
7	385316906 - VACUUM BREAKER KIT **Includes Item #6.
8	385345377 - BOWL WATER SUPPLY HOSE **Includes Hose Clamps.
9	385311547 - WATER SUPPLY HOSE REPLACEMENT
10	385311545 - WATER VALVE KIT - 12VDC 385311546 - WATER VALVE KIT - 24VDC
11	385311705 - WATER VALVE MOUNTING BREAKER KIT
12	385311022 - BOWL MOUNTING HARDWARE
13	385311778 - DISCHARGE TUBE KIT **Includes Anti-Siphon Valve
14	385880070 - DISCHARGE TUBE VALVE ADAPTER
15	385311620 - 1-1/2" CHECK VALVE
16	385311315 - 1-1/2" VALVE ADAPTER
17	385880071 - 1-1/2" VALVE ADAPTER ELBOW
18	385880072 - 1" VALVE ADAPTER
19	385880067 - BOWL OUTLET ELBOW
20	385880068 - MOTOR/MACERATOR ASSY - 12VDC 385880069 - MOTOR/MACERATOR ASSY - 24VDC
21	385311779 - MACERATOR PUMP MOUNTING STRAP
22	385880085 - CONTROL MODULE 12/24VDC (DBL)
23**	313722000 - DOMETIC MASTERFLUSH STATUS PNL-BLK
NOT SHOWN	385311781 - FLUSH SWITCH WIRE HARNESS-8700 SERIES



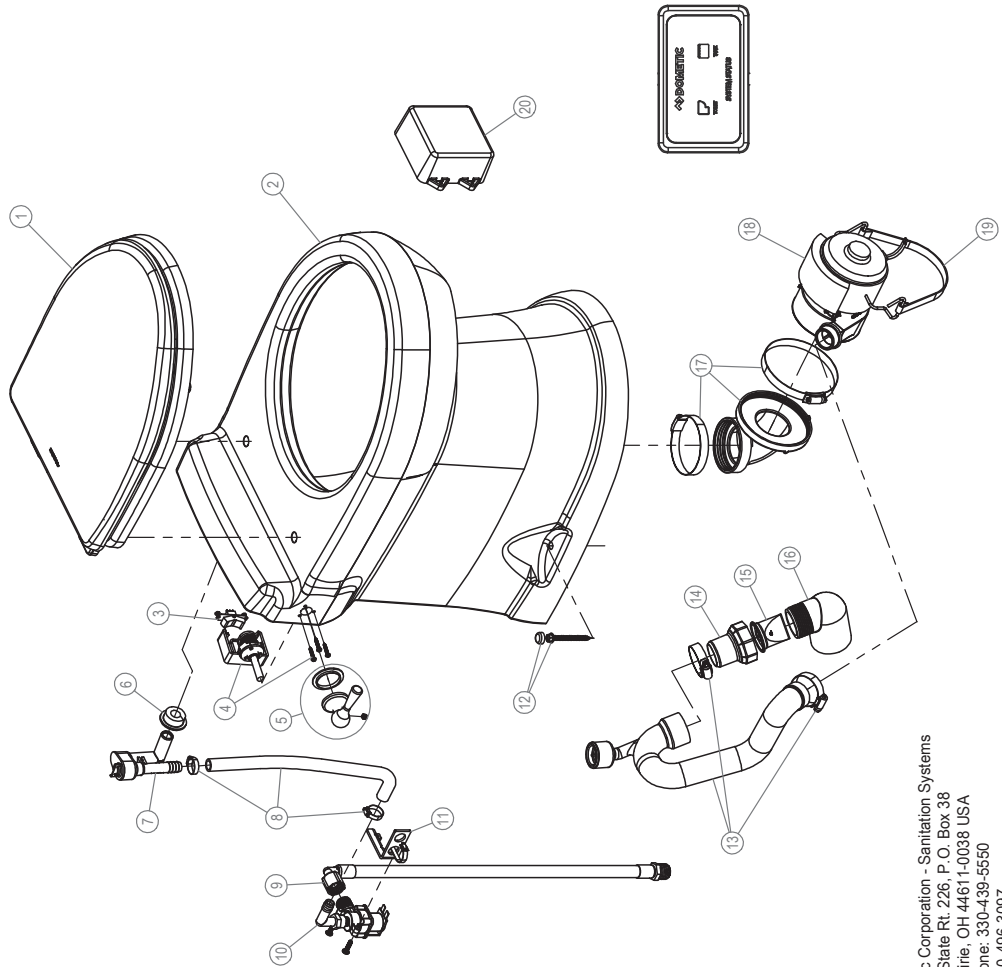
Domestic Corporation - Sanitation Systems
13128 State Rt. 226, P.O. Box 38
Big Prairie, OH 44611-0038 USA
Telephone: 330-439-5550
Fax: 330-496-3097
Email: sealand@domesticusa.com

**ITEM 23: OPTIONAL ACCESSORIES SOLD SEPARATELY &
ARE NOT INCLUDED OR PROVIDED WITH EVERY MODEL.

P/N: 600347337
REV.: 01-01/17

PARTS LIST: 8700 TALL SERIES w/ FLUSH HANDLE VERSION

ITEM	PART NUMBER & DESCRIPTION
1	385311005 - SEAT/COVER WOOD - WHITE
2	385312023 - 8700 BOTTOM DISCHARGE BOWL KIT-WHITE
3	38311703 - FLUSH HANDLE SWITCH w/WIRING HARNESS
4	385311704 - FLUSH HANDLE ASSEMBLY **Includes Item #3.
5	385311141 - FLUSH HANDLE KIT - NICKLE
6	385311164 - 1/2" SEALING GROMMET
7	385316906 - VACUUM BREAKER KIT; WITHOUT SPRAYER **Includes Item 6.
8	385345377 - BOWL WATER SUPPLY HOSE **Includes Hose Clamps.
9	385311547 - WATER SUPPLY HOSE REPLACEMENT
10	385311545 - WATER VALVE KIT - 12VDC
11	385311705 - WATER VALVE MOUNTING BREAKER KIT
12	385311022 - BOWL MOUNTING HARDWARE
13	385311778 - DISCHARGE TUBE KIT **Includes Anti-Siphon Valve
14	385880070 - DISCHARGE TUBE VALVE ADAPTER
15	385311620 - 1-1/2" CHECK VALVE
16	385311880 - 1-1/2" SLIP X MALE THREAD ELBOW
17	385880067 - BOWL OUTLET ELBOW
18	385880068 - MOTOR/MACERATOR ASSY - 12VDC
19	385311779 - MACERATOR PUMP MOUNTING STRAP
20	385880085 - CONTROL MODULE 12/24VDC (DBL)
NOT SHOWN	385311781 - FLUSH SWITCH WIRE HARNESS-8700 SERIES



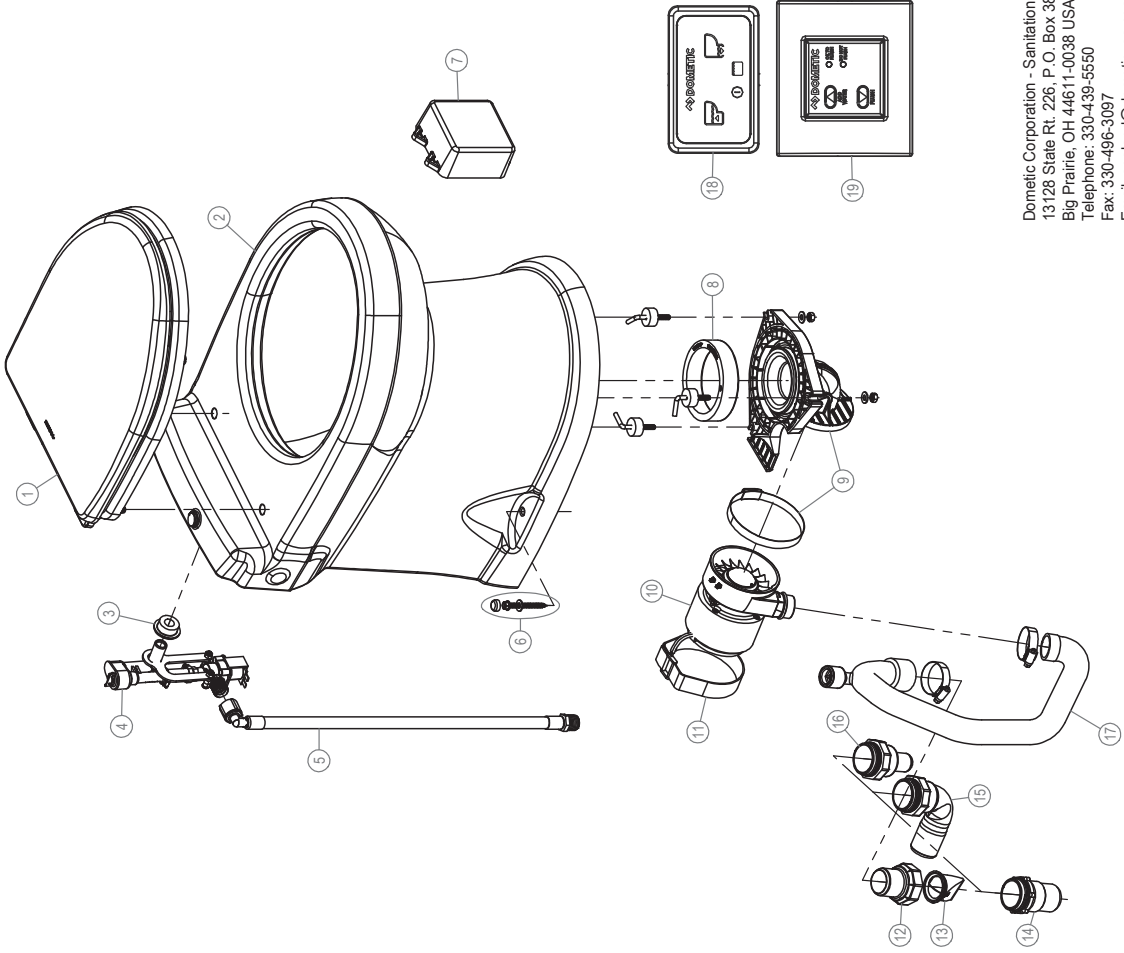
Domestic Corporation - Sanitation Systems
13128 Slate Rt. 226, P.O. Box 38
Big Prairie, OH 44611-0038 USA
Telephone: 330-439-5550
Fax: 330-496-3097
E-mail: sealand@domesticusa.com

P/N: 600347460
REV.: 01-05/18

PARTS LIST: 8740 TALL MASTER FLUSH TOILET

ITEM	PART NUMBER & DESCRIPTION
1	385311005 - SEAT/COVER WOOD - WHITE 385311006 - SEAT/COVER WOOD - BONE 385311597 - SEAT/COVER WOOD - EBONY **Includes Mounting Hardware.
2	385311730 - CONCERTO TALL SERIES BOWL KIT - WHITE 385311731 - CONCERTO TALL SERIES BOWL KIT - BONE 385311732 - CONCERTO TALL SERIES BOWL KIT - EBONY
3	385311164 - 1/2" SEALING GROMMET
4	385312135 - VACUUM BRK / WATER VALVE KIT - 12vdc 385312136 - VACUUM BRK / WATER VALVE KIT - 24vdc ** Includes Item 3.
5	385311547 - WATER SUPPLY HOSE REPLACEMENT
6	385311022 - BOWL MOUNTING HARDWARE KIT WHT/BONE
7	385680085 - CONTROL MODULE 12/24VDC (DBL)
8	385312137 - BOWL ADAPTER SEAL REPLACEMENT **Includes Mounting Hardware.
9	385312138 - BOWL TRANSITION ADAPTER KIT **Includes Item 8 & Mounting Hardware
10	385680068 - MOTOR/MACERATOR ASSY - 12VDC 385680069 - MOTOR/MACERATOR ASSY - 24VDC
11	385680083 - MOTOR/PUMP MOUNTING STRAP
12	385680070 - DISCHARGE TUBE VALVE ADAPTER
13	385311620 - 1-1/2" CHECK VALVE
14	385311315 - 1-1/2" VALVE ADAPTER
15	385680071 - 1-1/2" VALVE ADAPTER ELBOW
16	385680072 - 1" VALVE ADAPTER
17	385312139 - DISCHARGE TUBE REPLACEMENT KIT **Includes Clamps & Antisiphon Valve.
18	313600021 - DOMETIC TOUCHPAD FLUSH SWITCH - WHITE 313600022 - DOMETIC TOUCHPAD FLUSH SWITCH - BLACK
19**	313409010 - DOMETIC FLUSH CONTROL - STD GRAY 313409020 - DOMETIC FLUSH CONTROL - STD WHITE
NOT** SHOWN	385680082 - DOMETIC TOUCHPAD FLUSH SWITCH CABLE

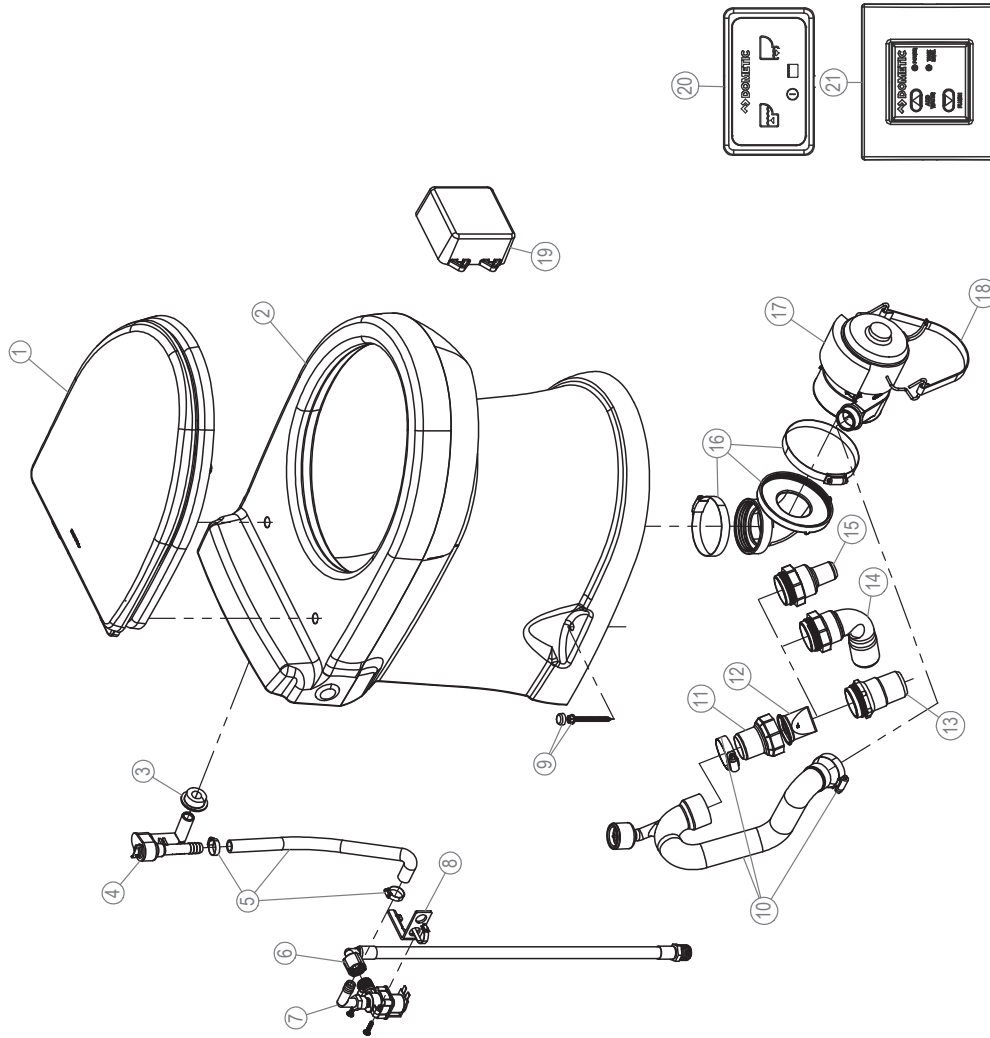
**ITEMS ARE OPTIONAL ACCESSORIES SOLD SEPARATELY & ARE NOT INCLUDED WITH EVERY MODEL.



Domestic Corporation - Sanitation Systems
13128 State Rt. 226, P.O. Box 38
Big Prairie, OH 44611-0038 USA
Telephone: 330-439-5550
Fax: 330-496-3097
Email: sealand@domesticusa.com

PARTS LIST: 8700 TALL SERIES w/ FLUSH SWITCH VERSION

ITEM	PART NUMBER & DESCRIPTION
1	385311005 - SEAT/COVER WOOD - WHITE 385311006 - SEAT/COVER WOOD - BONE 385311597 - SEAT/COVER WOOD - EBONY
2	385312023 - 8700 BOTTOM DISCHARGE BOWL KIT-WHITE 385312024 - 8700 BOTTOM DISCHARGE BOWL KIT-BONE 385312025 - 8700 BOTTOM DISCHARGE BOWL KIT-EBONY
3	385311164 - 1/2" SEALING GROMMET
4	385316906 - VACUUM BREAKER KIT **Includes Item #6.
5	385345377 - BOWL WATER SUPPLY HOSE **Includes Hose Clamps.
6	385311547 - WATER SUPPLY HOSE REPLACEMENT
7	385311545 - WATER VALVE KIT - 12VDC 385311546 - WATER VALVE KIT - 24VDC
8	385311705 - WATER VALVE MOUNTING BREAKER KIT
9	385311022 - BOWL MOUNTING HARDWARE
10	385311778 - DISCHARGE TUBE KIT **Includes Anti-Siphon Valve
11	385880070 - DISCHARGE TUBE VALVE ADAPTER
12	385311620 - 1-1/2" CHECK VALVE
13	385311315 - 1-1/2" VALVE ADAPTER
14	385880071 - 1-1/2" VALVE ADAPTER ELBOW
15	385880072 - 1" VALVE ADAPTER
16	385880067 - BOWL OUTLET ELBOW
17	385880068 - MOTOR/MACERATOR ASSY - 12VDC 385880069 - MOTOR/MACERATOR ASSY - 24VDC
18	385311779 - MACERATOR PUMP MOUNTING STRAP
19	385880085 - CONTROL MODULE 12/24VDC (DBL)
20	313600021 - DOMETIC TOUCHPAD FLUSH SWITCH - WHITE 313600022 - DOMETIC TOUCHPAD FLUSH SWITCH - BLACK
21**	313409010 - DOMETIC FLUSH CONTROL - STD GRAY 313409020 - DOMETIC FLUSH CONTROL - STD WHITE 313409030 - DOMETIC FLUSH CONTROL-PLAYBUS GRAY
NOT SHOWN	385311781 - FLUSH SWITCH WIRE HARNESS-8700 SERIES

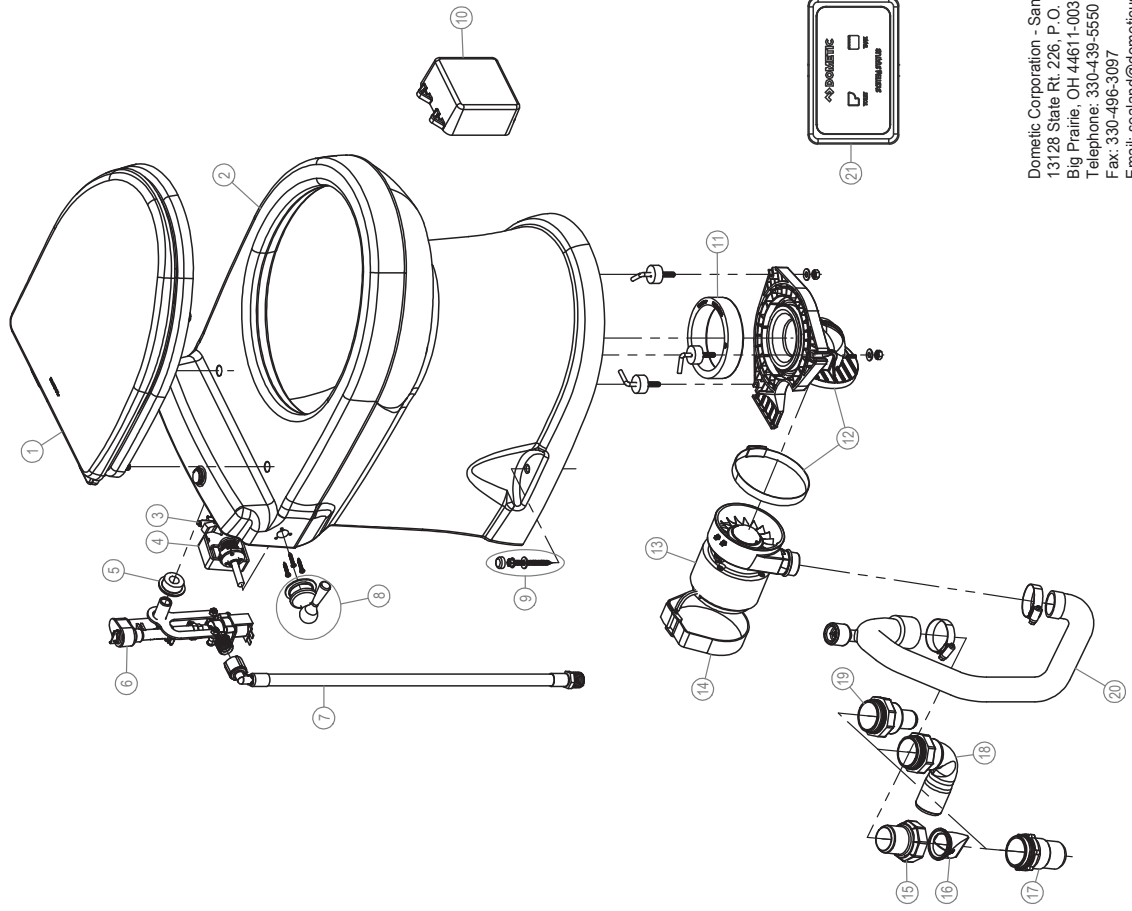


Domestic Corporation - Sanitation Systems
13128 State Rt. 226, P.O. Box 38
Big Prairie, OH 44611-0038 USA
Telephone: 330-439-5550
Fax: 330-496-3097
Email: sealand@dometicusa.com

**ITEMS 21:
ARE OPTIONAL ACCESSORIES SOLD SEPARATELY & ARE NOT
INCLUDED OR PROVIDED WITH EVERY MODEL.

PARTS LIST: 8746 TALL MASTER FLUSH TOILET

ITEM	PART NUMBER & DESCRIPTION
1	385311005 - SEAT/COVER WOOD - WHITE 385311006 - SEAT/COVER WOOD - BONE 385311597 - SEAT/COVER WOOD - EBONY ***Includes Mounting Hardware.
2	385311730 - CONCERTO TALL SERIES BOWL KIT - WHITE 385311731 - CONCERTO TALL SERIES BOWL KIT - BONE 385311732 - CONCERTO TALL SERIES BOWL KIT - EBONY
3	385311703 - FLUSH HANDLE SWITCH w/WIRING HARNESS
4	385311704 - FLUSH HANDLE ASSEMBLY **Includes Item 3 & Mounting Screws.
5	385311164 - 1/2" SEALING GROMMET
6	385312135 - VACUUM BRK / WATER VALVE KIT - 12vdc 385312136 - VACUUM BRK / WATER VALVE KIT - 24vdc ** Includes Item 5.
7	385311547 - WATER SUPPLY HOSE REPLACEMENT
8	385310962 - FLUSH HANDLE KIT - CHROME 385311141 - FLUSH HANDLE KIT - NICKLE
9	385311022 - BOWL MOUNTING HARDWARE KIT WHT/BONE
10	385880085 - CONTROL MODULE 12/24VDC (DBL)
11	385312137 - BOWL ADAPTER SEAL REPLACEMENT **Includes Mounting Hardware.
12	385312138 - BOWL TRANSITION ADAPTER KIT **Includes Item 7 & Mounting Hardware
13	385880068 - MOTOR/MACERATOR ASSY - 12VDC 385880069 - MOTOR/MACERATOR ASSY - 24VDC
14	385880083 - MOTOR/PUMP MOUNTING STRAP
15	385880070 - DISCHARGE TUBE VALVE ADAPTER
16	385311620 - 1-1/2" CHECK VALVE
17	385311315 - 1-1/2" VALVE ADAPTER
18	385880071 - 1-1/2" VALVE ADAPTER ELBOW
19	385880072 - 1" VALVE ADAPTER
20	385312139 - DISCHARGE TUBE REPLACEMENT KIT **Includes Clamps & Antisiphon Valve.
21**	313722000 - DOMETIC MASTERFLUSH STATUS PNL-BLK
NOT** SHOW	385880082 - DOMETIC STATUS PANEL CABLE



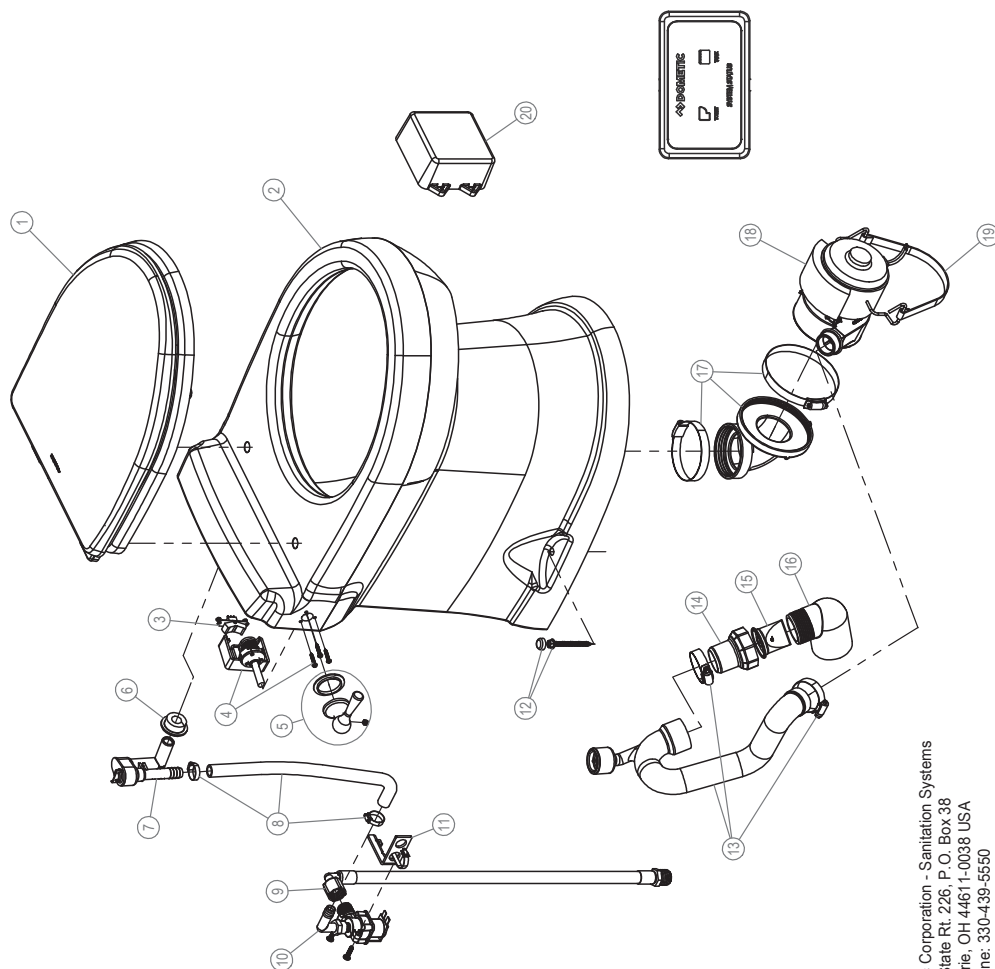
Dometic Corporation - Sanitation Systems
13128 State Rt. 226, P.O. Box 38
Big Prairie, OH 44611-0038 USA
Telephone: 330-439-5550
Fax: 330-496-3097
Email: sealand@dometicus.com

**ITEMS ARE OPTIONAL ACCESSORIES SOLD SEPARATELY
& ARE NOT INCLUDED WITH EVERY MODEL.

P/N: 600347337
REV.: 01-01/17

PARTS LIST: 8700 TALL SERIES w/ FLUSH HANDLE VERSION

ITEM	PART NUMBER & DESCRIPTION
1	385311005 - SEAT/COVER WOOD - WHITE
2	385312023 - 8700 BOTTOM DISCHARGE BOWL KIT-WHITE
3	38311703 - FLUSH HANDLE SWITCH w/WIRING HARNESS
4	385311704 - FLUSH HANDLE ASSEMBLY **Includes Item #3.
5	385311141 - FLUSH HANDLE KIT - NICKLE
6	385311164 - 1/2" SEALING GROMMET
7	385316906 - VACUUM BREAKER KIT; WITHOUT SPRAYER **Includes Item 6.
8	385345377 - BOWL WATER SUPPLY HOSE **Includes Hose Clamps.
9	385311547 - WATER SUPPLY HOSE REPLACEMENT
10	385311545 - WATER VALVE KIT - 12VDC
11	385311705 - WATER VALVE MOUNTING BREAKER KIT
12	385311022 - BOWL MOUNTING HARDWARE
13	385311778 - DISCHARGE TUBE KIT **Includes Anti-Siphon Valve
14	385880070 - DISCHARGE TUBE VALVE ADAPTER
15	385311620 - 1-1/2" CHECK VALVE
16	385311880 - 1-1/2" SLIP X MALE THREAD ELBOW
17	385880067 - BOWL OUTLET ELBOW
18	385880068 - MOTOR/MACERATOR ASSY - 12VDC
19	385311779 - MACERATOR PUMP MOUNTING STRAP
20	385880065 - CONTROL MODULE 12/24VDC (DBL)
NOT SHOWN	385311781 - FLUSH SWITCH WIRE HARNESS-8700 SERIES

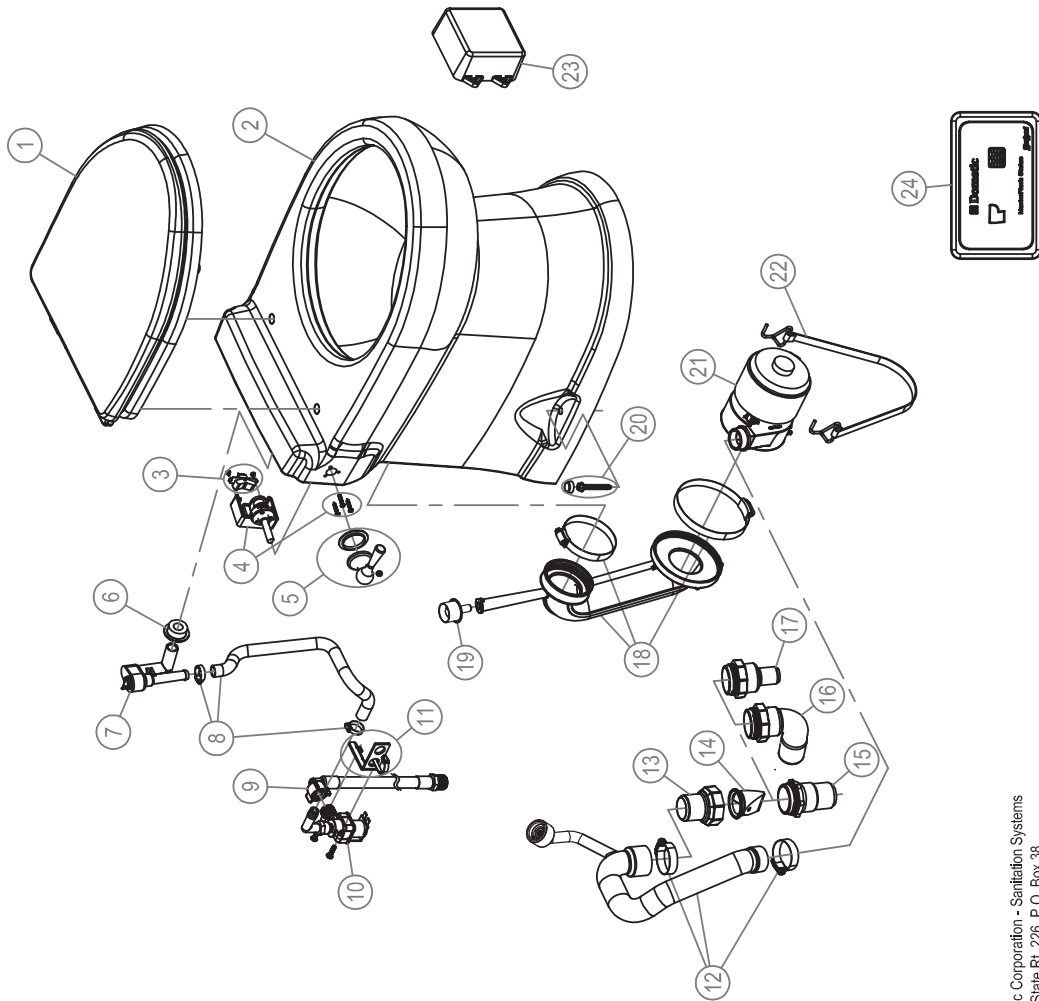


Domestic Corporation - Sanitation Systems
13128 State Rt. 226, P. O. Box 38
Big Prairie, OH 44611-0038 USA
Telephone: 330-439-5550
Fax: 330-496-3097
Email: sealand@dometicusa.com

P/N: 600346355
REV.: 08-01/15

PARTS LIST: 8700 TALL SERIES w/FLUSH HANDLE

ITEM	PART NUMBER & DESCRIPTION
1	385311005 SEAT/COVER WOOD - WHITE 385311006 SEAT/COVER WOOD - BONE 385311597 SEAT/COVER WOOD - EBONY
2	385311934 8700 SERIES BOWL KIT - WHITE 385311935 8700 SERIES BOWL KIT - BONE 385311936 8700 SERIES BOWL KIT - EBONY
3	385311703 FLUSH HANDLE SWITCH w/WIRING HARNESS
4	385311704 FLUSH HANDLE ASSEMBLY **INCLUDES ITEM 3.
5	385310962 FLUSH HANDLE KIT - CHROME 385310963 FLUSH HANDLE KIT - GOLD 385311141 FLUSH HANDLE KIT - NICKLE
6	385311164 1/2" SEALING GROMMET
7	385316906 VACUUM BREAKER KIT **INCLUDES ITEM 6.
8	385345377 BOWL WATER SUPPLY HOSE
9	385311547 WATER SUPPLY HOSE REPLACEMENT
10	385311545 WATER VALVE KIT - 12VDC 385311546 WATER VALVE KIT - 24VDC
11	385311705 WATER VALVE MOUNTING BRACKET KIT
12	385311706 DISCHARGE TUBE - 8700 SERIES **INCLUDES ANTI-SIPHON VALVE.
13	385880070 DISCHARGE TUBE VALVE ADAPTER
14	385311620 1-1/2" CHECK VALVE
15	385311315 1-1/2" VALVE ADAPTER
16	385880071 1-1/2" VALVE ADAPTER ELBOW
17	385880072 1" VALVE ADAPTER
18	385311708 BOWL OUTLET TUBE **INCLUDES ITEM 19.
19	385312013 BOWL OUTLET TUBE FLAPPER VALVE
20	385311022 BOWL MOUNTING HARDWARE
21	385880068 MOTOR/MACERATOR ASSY - 12VDC 385880069 MOTOR/MACERATOR ASSY - 24VDC
22	385311779 MOTOR/MAC MOUNTING STRAP
23	385311875 CONTROL MODULE 12/24VDC (DBH)
24	313722000 DOMETIC MASTERFLUSH STATUS PANEL-BLACK 313722001 DOMETIC MASTERFLUSH STATUS PANEL-WHITE
NOT SHOWN	385311781 FLUSH SWITCH WIRE HARNESS - 8700 SERIES

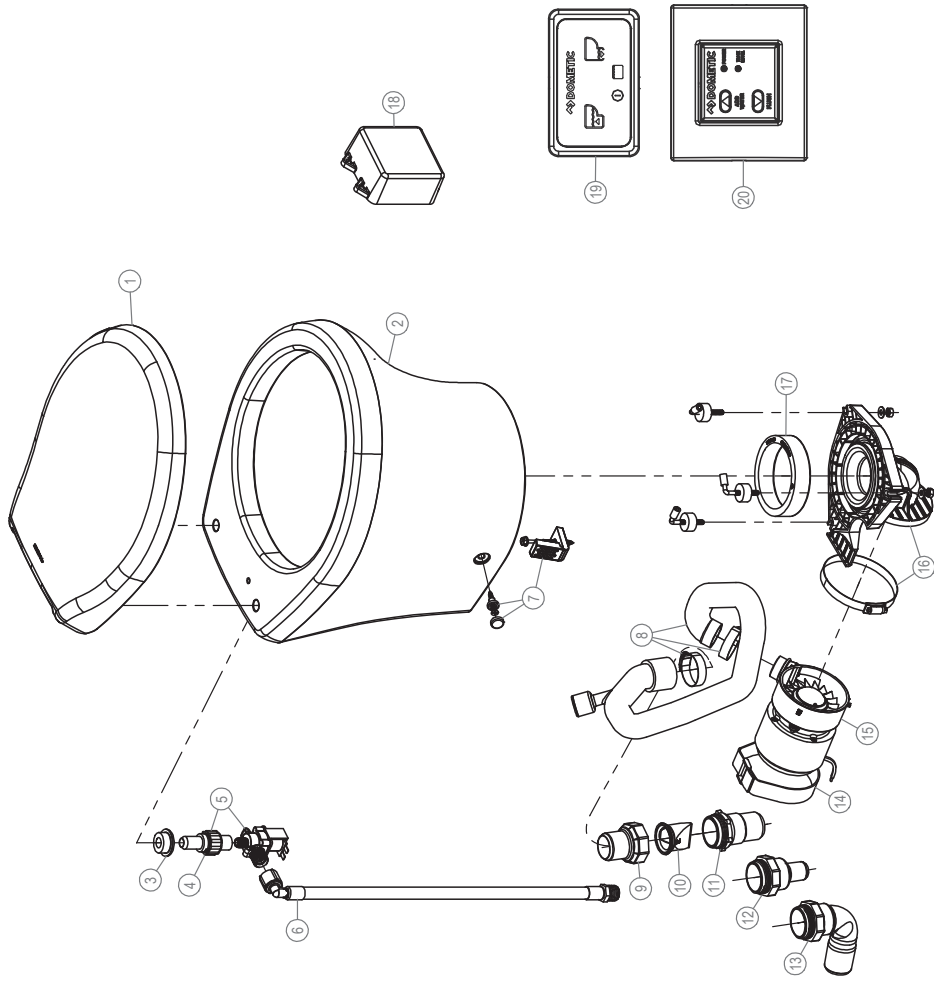


Domestic Corporation - Sanitation Systems
13128 State Rt. 226, P.O. Box 38
Big Prairie, OH 44611-0038 USA
Telephone: 330-439-5550
Fax: 330-496-3097
Email: sealand@domesticusa.com

P/N: 600347493
REV.: 01-08/18

PARTS LIST: 8920 LOW-PROFILE MASTERFLUSH TOILET

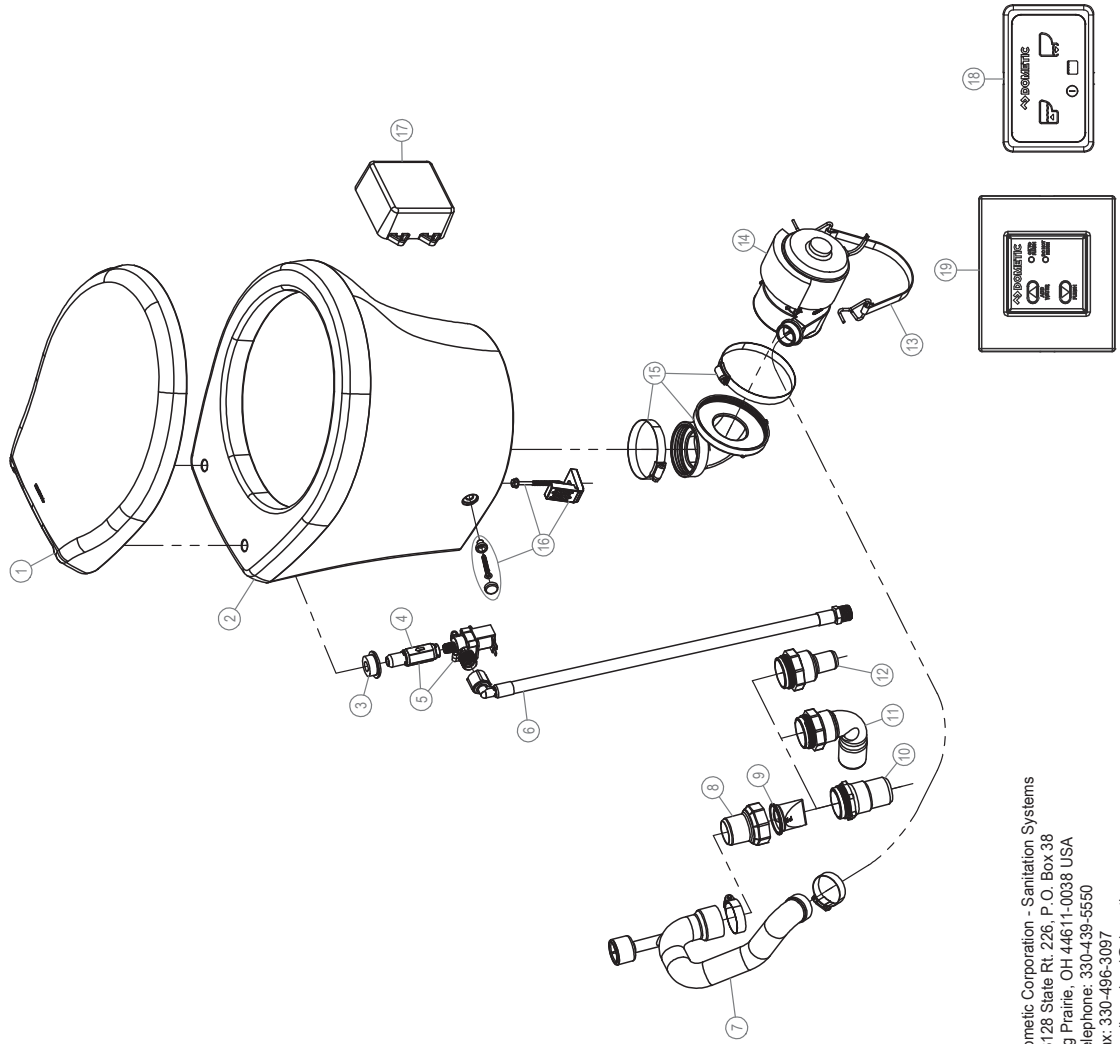
ITEM	PART NUMBER & DESCRIPTION
1	385311618 - SEAT/COVER SLOW-CLOSE KIT - WHITE 385311619 - SEAT/COVER SLOW-CLOSE KIT - BONE **Includes Mounting Hardware.
2	385311378 - 4800/8900 LOW-PROFILE BOWL KIT-WHITE 385311379 - 4800/8900 LOW-PROFILE BOWL KIT-BONE
3	385311164 - 1/2" SEALING GROMMET
4	385880073 - CHECKVALVE REPLACEMENT
5	385880074 - WATER VALVE KIT - 12VDC 385880075 - WATER VALVE KIT - 24VDC **Includes Items 3 & 4.
6	385311547 - WATER SUPPLY HOSE REPLACEMENT
7	385311463 - BOWL MOUNTING HARDWARE KIT
8	385312149 - DISCHARGE TUBE REPLACEMENT KIT **Includes Clamps & Antisiphon Valve.
9	385880070 - DISCHARGE TUBE VALVE ADAPTER
10	385311620 - 1-1/2" CHECK VALVE
11	385311315 - 1-1/2" VALVE ADAPTER
12	385880072 - 1" VALVE ADAPTER
13	385880071 - 1-1/2" VALVE ADAPTER ELBOW
14	385880083 - MOTOR/PUMP MOUNTING STRAP
15	385880068 - MOTORMACERATOR ASSY - 12VDC 385880069 - MOTORMACERATOR ASSY - 24VDC
16	385312138 - BOWL TRANSITION ADAPTER KIT **Includes Item 17 & Mounting Hardware
17	385312137 - BOWL ADAPTER SEAL REPLACEMENT **Includes Mounting Hardware.
18	385880085 - CONTROL MODULE 12/24VDC (DBL)
19	313600021 - DOMETIC TOUCHPAD FLUSH SWITCH - WHITE 313600022 - DOMETIC TOUCHPAD FLUSH SWITCH - BLACK **Includes Connector Cable Kit 385880082.
20**	313409010 - DOMETIC FLUSH CONTROL - STD GRAY 313409020 - DOMETIC FLUSH CONTROL - STD WHITE



Dometic Corporation - Sanitation Systems
13128 State Rt. 226, P.O. Box 38
Big Prairie, OH 44611-0038 USA
Telephone: 330-439-5550
Fax: 330-496-3097
Email: sealand@dometicusa.com

**ITEMS ARE OPTIONAL ACCESSORIES SOLD SEPARATELY & ARE NOT INCLUDED WITH EVERY MODEL.

PARTS LIST: 8920 LOW-PROFILE MASTERFLUSH TOILET



ITEM	PART NUMBER & DESCRIPTION
1	385311618 - SEAT/COVER SLOW-CLOSE KIT - WHITE
	385311619 - SEAT/COVER SLOW-CLOSE KIT - BONE
	385311694 - SEAT/COVER WOOD - WHITE
	385311695 - SEAT/COVER WOOD - BONE **Includes Mounting Hardware
2	385880076 - 8900/8100 SHORT SERIES BOWL KIT-WHITE
	385880077 - 8900/8100 SHORT SERIES BOWL KIT-BONE
3	385311164 - 1/2" SEALING GROMMET
4	385880073 - CHECKVALVE REPLACEMENT
5	385880074 - WATER VALVE KIT - 12VDC
	385880075 - WATER VALVE KIT - 24VDC
	**Includes Items 3 & 4.
6	385311547 - WATER SUPPLY HOSE REPLACEMENT
7	385880065 - DISCHARGE TUBE REPLACEMENT KIT
	**Includes Clamps & Antisiphon Valve.
8	385880070 - DISCHARGE TUBE VALVE ADAPTER
9	385311620 - 1-1/2" CHECK VALVE
10	385311315 - 1-1/2" VALVE ADAPTER
11	385880071 - 1-1/2" VALVE ADAPTER ELBOW
12	385880072 - 1" VALVE ADAPTER
13	385880083 - MOTOR/PUMP MOUNTING STRAP
14	385880068 - MOTOR/MACERATOR ASSY - 12VDC
	385880069 - MOTOR/MACERATOR ASSY - 24VDC
	385880067 - BOWL OUTLET ELBOW
16	385311463 - BOWL MOUNTING HARDWARE KIT
17	385880085 - CONTROL MODULE 12/24VDC (DBL)
18	313600021 - DOMETIC TOUCHPAD FLUSH SWITCH - WHITE
	313600022 - DOMETIC TOUCHPAD FLUSH SWITCH - BLACK
19**	313409010 - DOMETIC FLUSH CONTROL - STD GRAY
	313409020 - DOMETIC FLUSH CONTROL - STD WHITE
NOT** SHOWN	313409030 - DOMETIC FLUSH CONTROL-PLAYBUS GRAY
NOT SHOWN	385880081 - VIMAR/GEWISS FLUSH SWITCH WIRE HARNESS
NOT SHOWN	385880082 - DOMETIC TOUCHPAD FLUSH SWITCH CABLE

** ITEMS ARE OPTIONAL ACCESSORIES SOLD SEPARATELY & ARE NOT INCLUDED WITH EVERY MODEL.

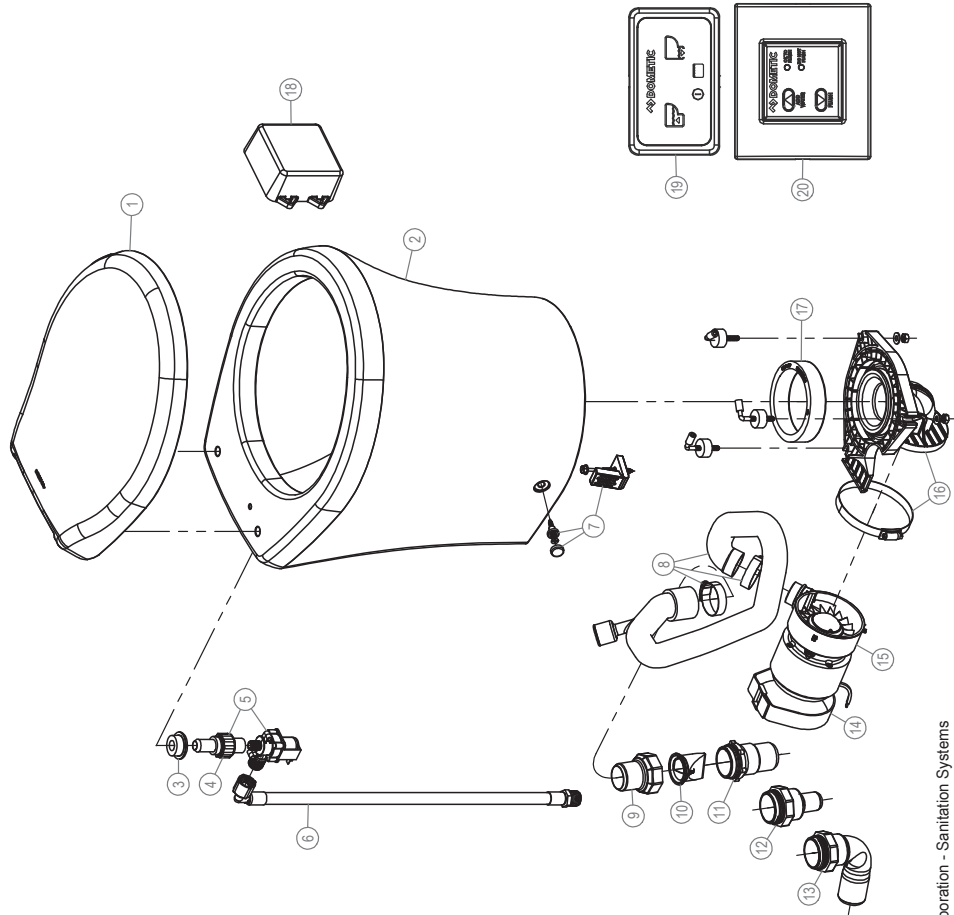
Domestic Corporation - Sanitation Systems
13128 Slate Rt. 226, P.O. Box 38
Big Prairie, OH 44611-0038 USA
Telephone: 330-439-5550
Fax: 330-496-3087
Email: sealand@dometicusa.com

P/N: 600347483
REV.: 01-07/18

PARTS LIST: 8940 TALL MASTERFLUSH TOILET

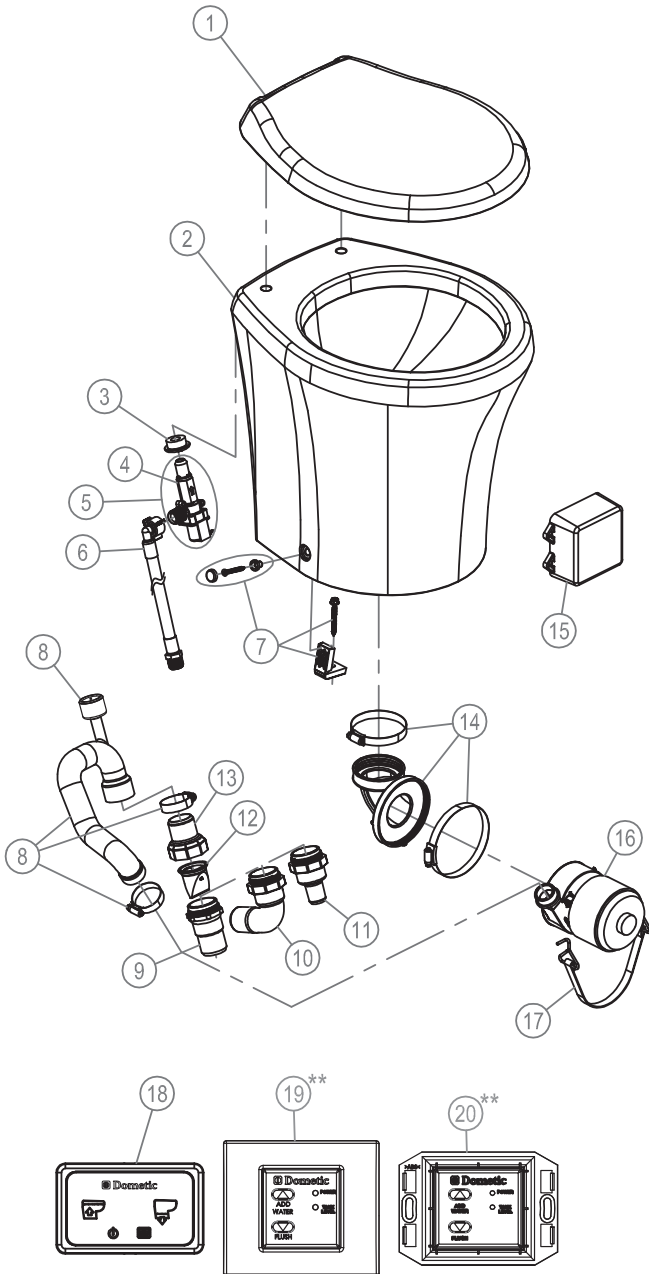
ITEM	PART NUMBER & DESCRIPTION
1	385311618 - SEAT/COVER SLOW-CLOSE KIT - WHITE 385311619 - SEAT/COVER SLOW-CLOSE KIT - BONE **Includes Mounting Hardware.
2	385311380 - 4800/8900 TALL BOWL KIT-WHITE 385311381 - 4800/8900 TALL BOWL KIT-BONE
3	385311164 - 1/2" SEALING GROMMET
4	385880073 - CHECKVALVE REPLACEMENT
5	385880074 - WATER VALVE KIT - 12VDC 385880075 - WATER VALVE KIT - 24VDC **Includes Items 3 & 4.
6	385311547 - WATER SUPPLY HOSE REPLACEMENT
7	385311463 - BOWL MOUNTING HARDWARE KIT
8	385312149 - DISCHARGE TUBE REPLACEMENT KIT **Includes Clamps & Antisiphon Valve.
9	385880070 - DISCHARGE TUBE VALVE ADAPTER
10	385311620 - 1-1/2" CHECK VALVE
11	385311315 - 1-1/2" VALVE ADAPTER
12	385880072 - 1" VALVE ADAPTER
13	385880071 - 1-1/2" VALVE ADAPTER ELBOW
14	385880083 - MOTOR/PUMP MOUNTING STRAP
15	385880068 - MOTOR/MACERATOR ASSY - 12VDC 385880069 - MOTOR/MACERATOR ASSY - 24VDC
16	385312138 - BOWL TRANSITION ADAPTER KIT **Includes Item 17 & Mounting Hardware
17	385312137 - BOWL ADAPTER SEAL REPLACEMENT **Includes Mounting Hardware.
18	385880085 - CONTROL MODULE 12/24VDC (DBL)
19	313600021 - DOMETIC TOUCHPAD FLUSH SWITCH - WHITE 313600022 - DOMETIC TOUCHPAD FLUSH SWITCH - BLACK **Includes Connector Cable Kit 385880082.
20**	313409010 - DOMETIC FLUSH CONTROL - STD GRAY 313409020 - DOMETIC FLUSH CONTROL - STD WHITE

** ITEMS ARE OPTIONAL ACCESSORIES SOLD SEPARATELY & ARE NOT INCLUDED OR PROVIDED WITH EVERY MODEL.



Dometic Corporation - Sanitation Systems
13128 State Rt. 226, P. O. Box 38
Big Prairie, OH 44611-0038 USA
Telephone: 330-439-5550
Fax: 330-496-3097
Email: sealand@dometicusa.com

PARTS LIST: 8900 TALL SERIES

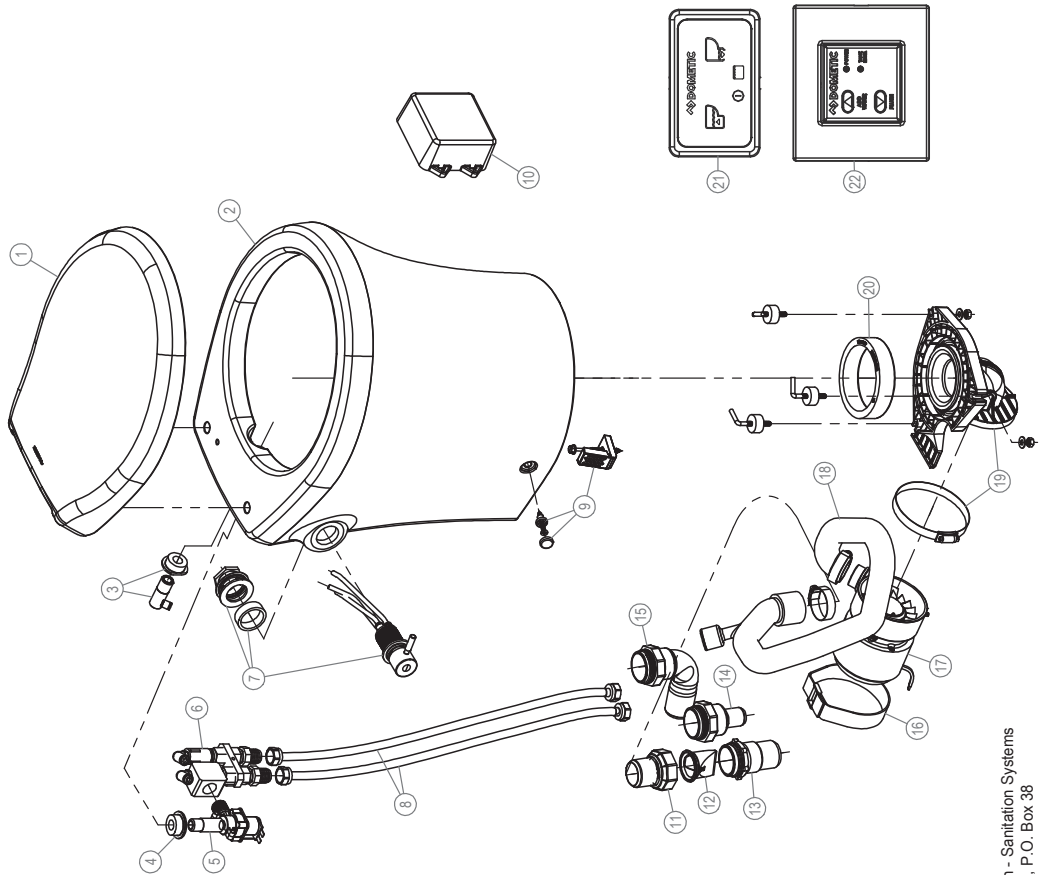


ITEM	PART NUMBER & DESCRIPTION	
1	385311618	SEAT/COVER SLOW CLOSE - WHITE
	385311619	SEAT/COVER SLOW CLOSE - BONE
	385311694	SEAT/COVER WOOD - WHITE
	385311695	SEAT/COVER WOOD - BONE
2	385880078	8900 TALL SERIES BOWL KIT - WHITE
	385880079	8900 TALL SERIES BOWL KIT - BONE
3	385311164	1/2" SEALING GROMMET
4	385880073	CHECKVALVE REPLACEMENT
5	385880074	WATER VALVE KIT - 12VDC
	385880075	WATER VALVE KIT - 24VDC **INCLUDES ITEM 3 & 4.
6	385311547	WATER SUPPLY HOSE REPLACEMENT
7	385311463	BOWL MOUNTING HARDWARE KIT
8	385311778	DISCHARGE TUBE - TALL SERIES **INCLUDES ANTI-SIPHON.
	385311315	1-1/2" VALVE ADAPTER
9	385880071	1-1/2" VALVE ADAPTER ELBOW
10	385880072	1" VALVE ADAPTER
11	385311620	1-1/2" CHECK VALVE
12	385880070	DISCHARGE TUBE VALVE ADAPTER
13	385880067	BOWL OUTLET ELBOW
14	385880085	CONTROL MODULE 12/24VDC (DBL)
15	385880068	MOTOR/MACERATOR ASSY - 12VDC
	385880069	MOTOR/MACERATOR ASSY - 24VDC
16	385880083	MOTOR/MAC MOUNTING STRAP
17	313600021	DOMETIC TOUCHPAD FLUSH SWITCH - WHITE
	313600022	DOMETIC TOUCHPAD FLUSH SWITCH - BLACK
19**	313409010	DOMETIC FLUSH CONTROL-STD GRAY
	313409020	DOMETIC FLUSH CONTROL- STD WHITE
20**	313409030	DOMETIC FLUSH CONTROL-PLAYBUS GRAY
NOT SHOWN	385880082	DOMETIC TOUCHPAD FLUSH SWITCH CABLE
NOT SHOWN	385880081	VIMAR/GEWISS FLUSH SWITCH WIRE HARNESS

** ITEMS 19 & 20:
ARE OPTIONAL ACCESSORIES SOLD SEPARATELY & ARE NOT
INCLUDED OR PROVIDED WITH EVERY MODEL.

PARTS LIST: 8941 TALL MASTER FLUSH TOILET w/BIDET

ITEM	PART NUMBER & DESCRIPTION
1	385311618 - SEAT/COVER SLOW-CLOSE KIT - WHITE **Includes Mounting Hardware.
2	385311744 - 4600/8600 TALL w/BIDET BOWL KIT-WHITE
3	385311722 - BIDET NOZZLE KIT **Includes Modified 1/2" Sealing Grommet.
4	385311164 - 1/2" SEALING GROMMET
5	385311972 - WATER VALVE ASSEMBLY - 12vdc 385311973 - WATER VALVE ASSEMBLY - 24vdc **Includes Item 4.
6	385312148 - BIDET WATER MANIFOLD
7	385311721 - BIDET MIXER VALVE KIT **Includes Mounting Hardware.
8	385311018 - WATER SUPPLY HOSE 1/2 FPT **One Hose per Kit.
9	385311463 - BOWL MOUNTING HARDWARE KIT
10	385880085 - CONTROL MODULE 12/24VDC (DBL)
11	385880070 - DISCHARGE TUBE VALVE ADAPTER
12	385311620 - 1-1/2" CHECK VALVE
13	385311315 - 1-1/2" VALVE ADAPTER
14	385880072 - 1" VALVE ADAPTER
15	385880071 - 1-1/2" VALVE ADAPTER ELBOW
16	385880083 - MOTOR/PUMP MOUNTING STRAP
17	385880068 - MOTOR/MACERATOR ASSY - 12VDC 385880069 - MOTOR/MACERATOR ASSY - 24VDC
18	385312149 - DISCHARGE TUBE REPLACEMENT KIT **Includes Clamps & Antisiphon Valve.
19	385312138 - BOWL TRANSITION ADAPTER KIT **Includes Item 20 & Mounting Hardware
20	385312137 - BOWL ADAPTER SEAL REPLACEMENT **Includes Mounting Hardware.
21	313600021 - DOMETIC TOUCHPAD FLUSH SWITCH - WHITE
22	313600022 - DOMETIC TOUCHPAD FLUSH SWITCH - BLACK
**22	313409010 - DOMETIC FLUSH CONTROL - STD GRAY 313409020 - DOMETIC FLUSH CONTROL - STD WHITE

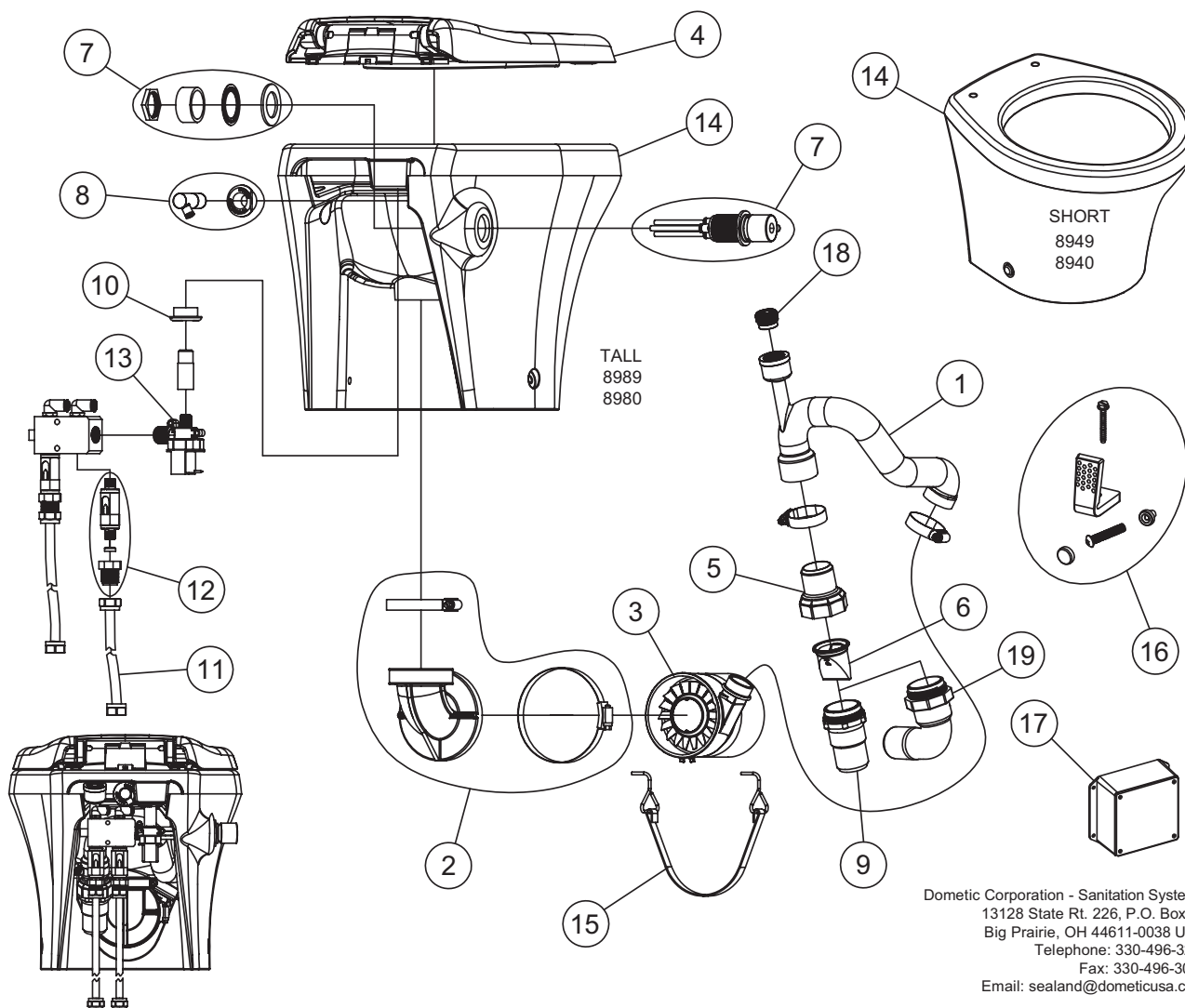


Domestic Corporation - Sanitation Systems
13128 State Rt. 226, P.O. Box 38
Big Prairie, OH 44611-0038 USA
Telephone: 330-439-5550
Fax: 330-496-3097
Email: sealand@dometicusa.com

**ITEMS ARE OPTIONAL ACCESSORIES; SOLD SEPARATELY
& ARE NOT INCLUDED WITH EVERY MODEL.

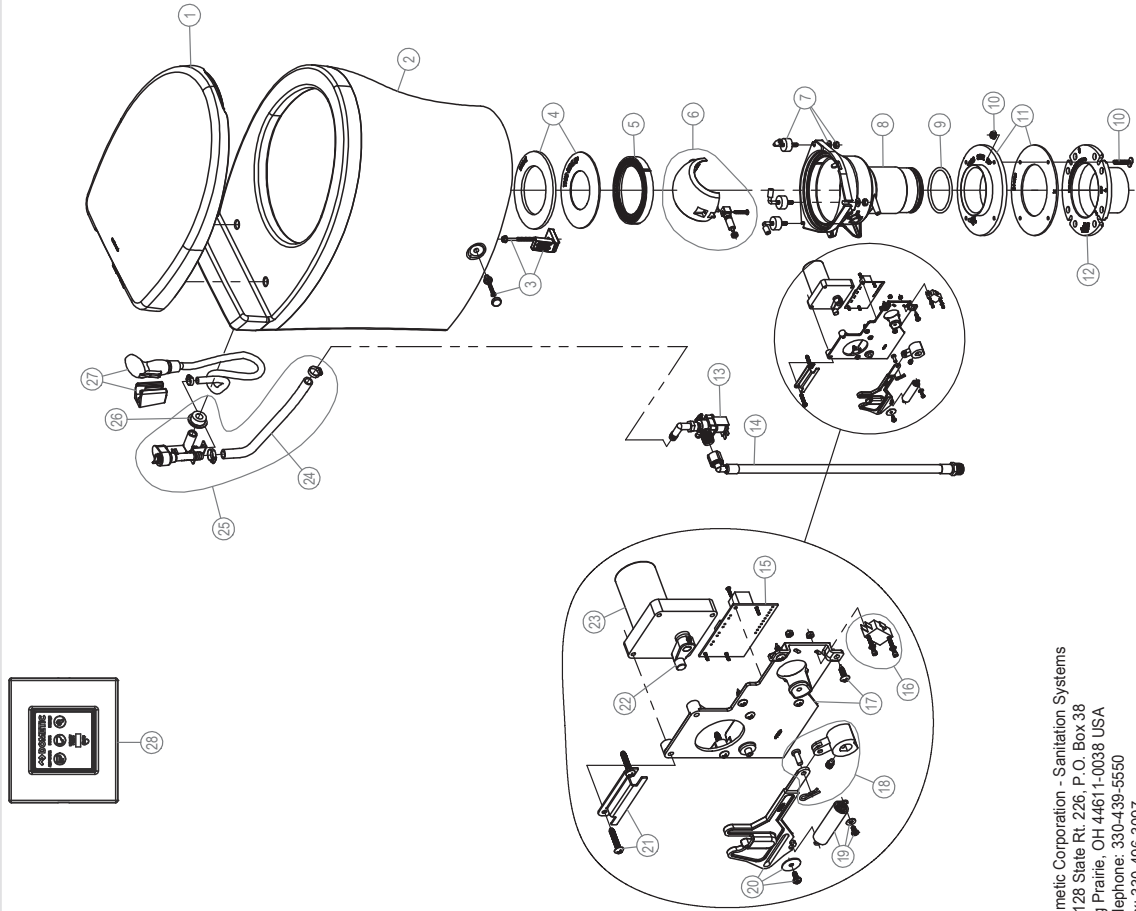
PARTS LIST: 8900 SERIES WITH BIDET

ITEM	PART NO.	DESCRIPTION	ITEM	PART NO.	DESCRIPTION
1	385880065	KIT, TUBE OUTLET SHORT MFLUSH	13	385880074	KIT, W'VALVE 12VDC MFLUSH (INC. 10,12)
2	385880067	KIT, BOWL OUTLET MFLUSH		385880075	KIT, W'VALVE 24VDC MFLUSH (INC. 10,12)
3	385880068	KIT, MOTOR ASSEMBLY 12VDC MFLUSH	14	385311723	KIT, BOWL 8900 SHORT COMBO WHITE
	385880069	KIT, MOTOR ASSEMBLY 24VDC MFLUSH		385311724	KIT, BOWL 8900 SHORT COMBO BONE
4	385311618	KIT, SEAT/CVR SLOW-CLOSE/WHT		385311725	KIT, BOWL 8900 TALL COMBO WHITE
	385311694	KIT, SEAT-CV'R 4800 WOOD-WHITE		385311726	KIT, BOWL 8900 TALL COMBO BONE
5	385880070	KIT, ADAPTER MFLUSH	15	385880083	KIT, STRAP MOTOR MFLUSH
6	385311620	KIT, DB VALVE 1-1/2"-BLACK (1)	16	385311463	KIT, 4800 CHINA MTG
7	385311721	KIT, BIDET FLUSH VALVE	17	385880085	KIT, CONTROLE MODULE 8900 12/24VDC
8	385311722	KIT, BIDET NOZEL	18	385880080	KIT, ANTISIPHON VALVE MFLUSH
9	385311315	KIT, NIPPLE-RH THREADS	19	385880071	KIT, 1-1/2" OUTLET EL-MFLUSH
10	385311164	KIT, SEALING GROMMET 1/2"	N/S	385880081	KIT, HARNESS FLSH SW VIMAR - GEWISS
11	385311018	KIT, PLUG-IN SUPPLY HOSE	N/S	385880082	KIT, CABLE FLSH SW TOUCHPAD
12	385311727	KIT, BIDET CHECKVALVE			



Dometic Corporation - Sanitation Systems
13128 State Rt. 226, P.O. Box 38
Big Prairie, OH 44611-0038 USA
Telephone: 330-496-3211
Fax: 330-496-3097
Email: sealand@dometicsusa.com

PARTS LIST: 6510 & 6510S TALL GRAVITY TOILET

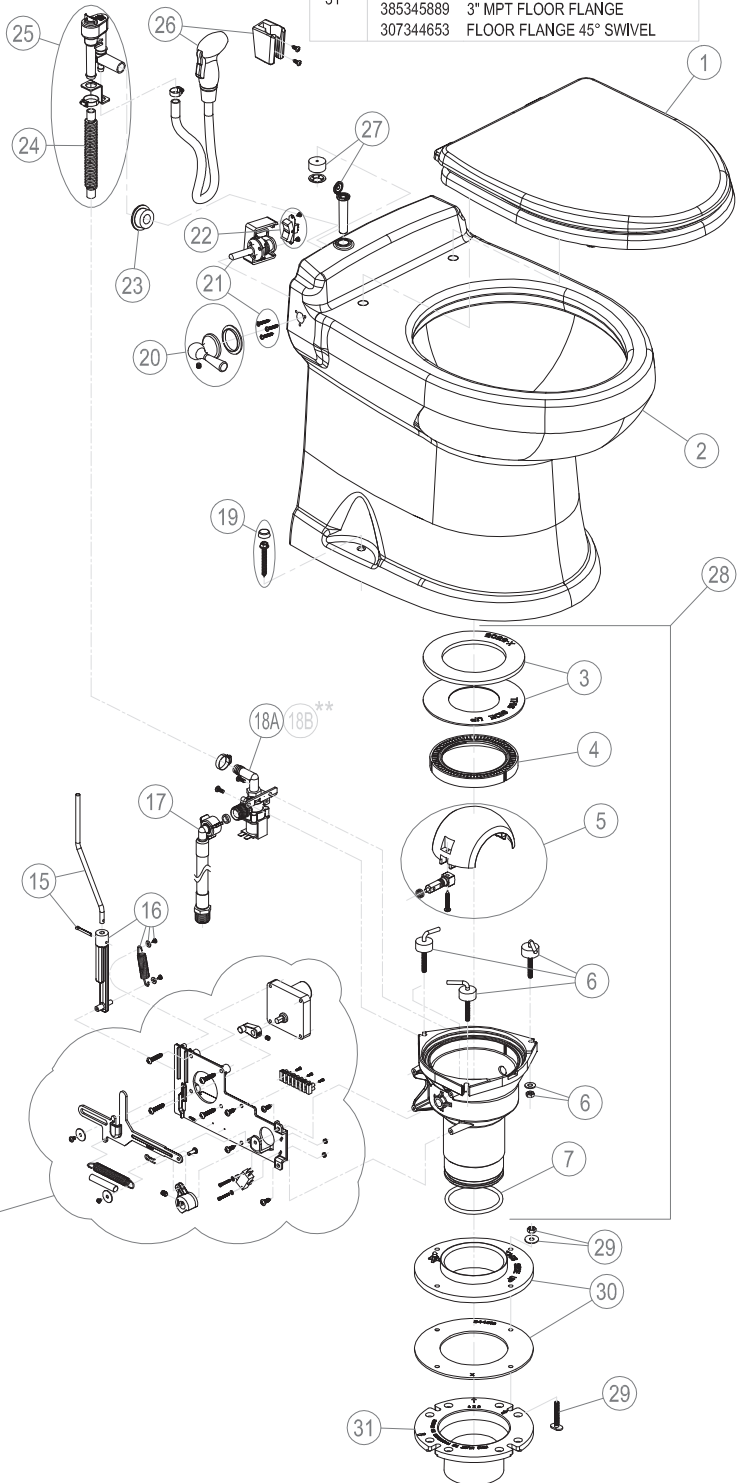


ITEM	PART NUMBER & DESCRIPTION
1	385312152 - MODERNO SEAT/COVER SOFT-CLOSE - WHITE **Includes Mounting Hardware.
2	385312154 - MODERNO TALL SERIES BOWL KIT - WHITE
3	385311463 - BOWL MOUNTING HARDWARE KIT
4	385311009 - FLUSH BALL SEAL REPL KIT **Includes Item 10.
5	385311292 - BASE FLUSH BALL RING KIT
6	385310969 - FLUSH BALL/SHAFT REPL KIT
7	385311011 - BASE TO BOWL MOUNTING HARDWARE
8	385312163 - 12vdc PLUG-IN BASE KIT (GRV) **Includes Items 5-9; 10; 13 & 15-23.
9	385311294 - BASE O'RING REPL KIT
10	385310064 - FLOOR FLANGE MOUNTING HARDWARE
11	385311013 - FLOOR FLANGE ADAPTER KIT **Includes Item 13.
12**	385345889 - 3" MPT FLOOR FLANGE 385345892 - 3" SOCKET FLOOR FLANGE 385343765 - 3" SPIGOT FLOOR FLANGE 385310961 - 45° SWIVEL FLOOR FLANGE* *Must be used with included seal.
13	385311545 - WATER VALVE KIT - 12VDC
14	385311547 - WATER SUPPLY HOSE REPLACEMENT
15	385312162 - 12vdc GRAVITY FLUSH CONTROL MODULE **Includes mounting hardware.
16	385311673 - FLUSH ACTUATION SWITCH
17	385311394 - FLUSH MECHANISM w/MTG BRACKET **Includes Items 19; 21; 22; 23; 24.
18	385311296 - FLUSH BALL CAM REPL KIT
19	385311393 - FLUSH MECHANISM RETURN SPRING
20	385311392 - FLUSH MECHANISM LINKAGE
21	385311429 - FLUSH LINKAGE GUIDE BRACKET
22	385311299 - MOTOR DRIVE ARM REPL KIT
23	385311300 - MOTOR REPLACEMENT KIT - 12VDC **Includes Item 26.
24	385311869 - BOWL SUPPLY HOSE **Includes Mounting Clamps.
25	385310807 - VACUUM BREAKER KIT 385310808 - VACUUM BREAKER KIT / HAND SPRAYER **Includes Items 26
26	385311164 - 1/2" SEALING GROMMET
27**	385310809 - HAND SPRAYER-CHROME **Includes Mounting Bracket & Screws.
28	313418010 - VFSHW CONTROL PNL STD - BLK 313418020 - VFSHW CONTROL PNL STD - WHT

**ITEM 12: IS SOLD SEPARATELY NOT INCLUDED WITH THE TOILET.
**ITEM 27: IS AN OPTIONAL ACCESSORY NOT PROVIDED WITH EVERY MODEL.

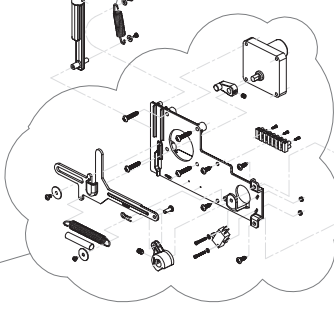
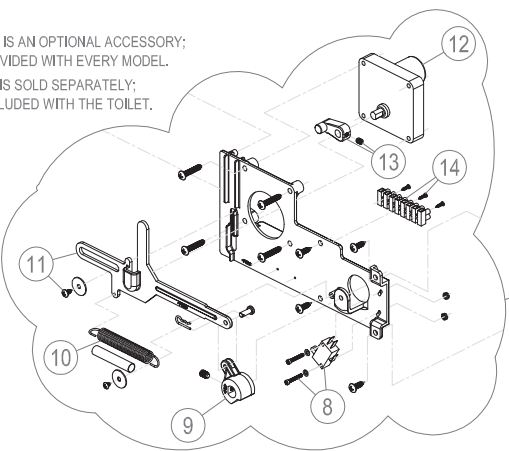
PARTS LIST: 4310 MODEL

ITEM	PART NUMBER & DESCRIPTION					
1	385311005 SEAT/COVER - WHITE	27	385311733 MANUAL OVERRIDE GUIDE - WHITE	29	385310064 FLOOR FLANGE MOUNTING HARDWARE	
	385311006 SEAT/COVER - BONE		385311734 MANUAL OVERRIDE GUIDE - BONE		30	385311013 FLOOR FLANGE ADAPTER KIT <small>**INCLUDES ITEMS 30</small>
	385311597 SEAT/COVER - EBONY		385311735 MANUAL OVERRIDE GUIDE - EBONY			31**
2	385311730 4300/4400 BOWL KIT - WHITE	28	385311729 4310/4410 PLUG-IN BASE KIT - WHITE	385345892 3" SOCKET FLOOR FLANGE		
	385311731 4300/4400 BOWL KIT - BONE		385311737 4310/4410 PLUG-IN BASE KIT - EBONY <small>**INCLUDES ITEM 3-16 & 18</small>	385345889 3" MPT FLOOR FLANGE		
	385311732 4300/4400 BOWL KIT - EBONY <small>**INCLUDES ITEM 6</small>			307344653 FLOOR FLANGE 45° SWIVEL		
3	385311009 FLUSH BALL SEAL REPL KIT <small>**INCLUDES ITEM 6</small>					
4	385311292 BASE FLUSH BALL RING KIT					
5	385310969 FLUSH BALL/SHAFT REPL KIT					
6	385311011 BASE TO BOWL MOUNTING HARDWARE					
7	385311294 BASE O'RING REPL KIT					
8	385311003 FLUSH ACTUATION SWITCH					
9	385311296 FLUSH BALL CAM REPL KIT					
10	385311297 FLUSH MECHANISM RETURN SPRING					
11	385311303 FLUSH MECHANISM LINKAGE					
12	385311300 MOTOR REPLACEMENT KIT - 12VDC					
13	385311299 MOTOR DRIVE ARM REPL KIT					
14	385311298 WIRING TERMINAL BLOCK REPL					
15	385311736 MANUAL OVERRIDE REPL ROD					
16	385311301 MANUAL O'RIDE REPL RETURN SPRING					
17	385311547 WATER SUPPLY HOSE					
18A	385311545 WATER VALVE KIT - 12VDC					
18B	385311709 RETROFIT WATER VALVE KIT - 12VDC					
	<small>**INCLUDES MOUNTING BRACKET, **FOR 2009 & OLDER MODEL TOILETS.</small>					
19	385311022 BOWL MOUNTING HARDWARE					
20	385310962 FLUSH HANDLE KIT - CHROME					
	385310963 FLUSH HANDLE KIT - GOLD					
	385311141 FLUSH HANDLE KIT - NICKLE					
21	385311291 FLUSH HANDLE ASSEMBLY <small>**INCLUDES ITEM 22</small>					
22	385311290 FLUSH HANDLE SWITCH w/WIRING					
23	385311111 1-1/2" SEALING GROMMET					
24	385311869 CORRUGATED BOWL SUPPLY HOSE					
25	385310807 VACUUM BREAKER KIT					
	385310808 VACUUM BREAKER KIT FOR HAND SPRAY <small>**INCLUDES ITEM 23</small>					
26*	385310809 HAND SPRAYER - CHROME					
	385310873 HAND SPRAYER - EBONY <small>**INCLUDES ITEM 27</small>					



* ITEMS 26 IS AN OPTIONAL ACCESSORY;
NOT PROVIDED WITH EVERY MODEL.

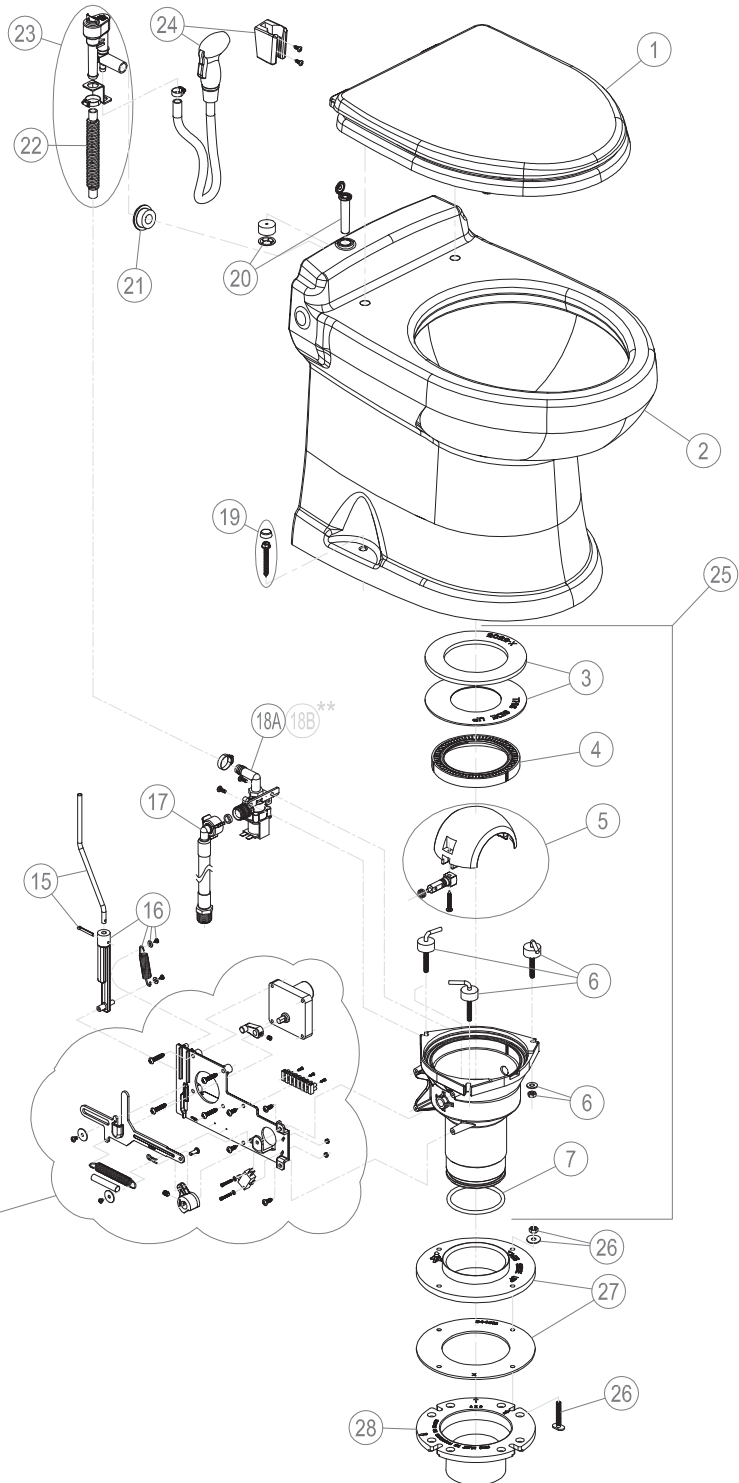
** ITEM 31 IS SOLD SEPARATELY;
NOT INCLUDED WITH THE TOILET.



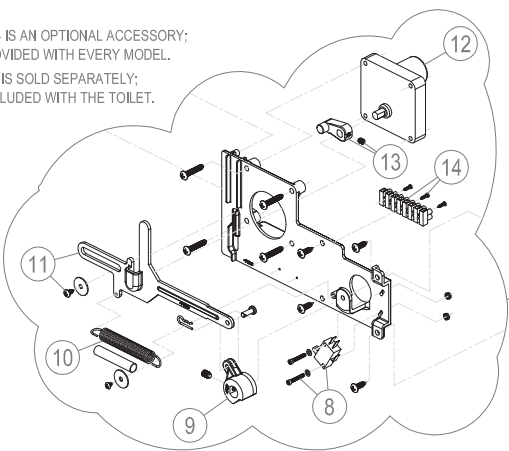
Dometic Corporation - Sanitation Systems
13128 State Rt. 226, P.O. Box 38
Big Prairie, OH 44611-0038 USA
Telephone: 330-439-5550
Fax: 330-496-3097
Email: sealand@dometicusa.com

PARTS LIST: 4410 MODEL

ITEM	PART NUMBER & DESCRIPTION	26	385310064	FLOOR FLANGE MOUNTING HARDWARE	28**	385343765	3" SPIGOT FLOOR FLANGE
1	385311005 SEAT/COVER - WHITE	27	385311013	FLOOR FLANGE ADAPTER KIT **INCLUDES ITEMS 27	28**	385345892	3" SOCKET FLOOR FLANGE
	385311006 SEAT/COVER - BONE					385345889	3" MPT FLOOR FLANGE
	385311597 SEAT/COVER - EBONY					307344653	FLOOR FLANGE 45° SWIVEL
2	385311730 4300/4400 BOWL KIT - WHITE						
	385311731 4300/4400 BOWL KIT - BONE						
	385311732 4300/4400 BOWL KIT - EBONY **INCLUDES ITEM 6						
3	385311009 FLUSH BALL SEAL REPL KIT **INCLUDES ITEM 6						
4	385311292 BASE FLUSH BALL RING KIT						
5	385310969 FLUSH BALL/SHAFT REPL KIT						
6	385311011 BASE TO BOWL MOUNTING HARDWARE						
7	385311294 BASE O'RING REPL KIT						
8	385311003 FLUSH ACTUATION SWITCH						
9	385311296 FLUSH BALL CAM REPL KIT						
10	385311297 FLUSH MECHANISM RETURN SPRING						
11	385311303 FLUSH MECHANISM LINKAGE						
12	385311300 MOTOR REPLACEMENT KIT - 12VDC						
13	385311299 MOTOR DRIVE ARM REPL KIT						
14	385311298 WIRING TERMINAL BLOCK REPL						
15	385311736 MANUAL OVERRIDE REPL ROD						
16	385311301 MANUAL O'RIDE REPL RETURN SPRING						
17	385311547 WATER SUPPLY HOSE						
18A	385311545 WATER VALVE KIT - 12VDC						
18B	385311709 RETROFIT WATER VALVE KIT - 12VDC						
	**INCLUDES MOUNTING BRACKET, **FOR 2009 & OLDER MODEL TOILETS.						
19	385311022 BOWL MOUNTING HARDWARE						
20	385311733 MANUAL OVERRIDE GUIDE - WHITE						
	385311734 MANUAL OVERRIDE GUIDE - BONE						
	385311735 MANUAL OVERRIDE GUIDE - EBONY						
21	385311111 1-1/2" SEALING GROMMET						
22	385311869 CORRUGATED BOWL SUPPLY HOSE						
23	385310807 VACUUM BREAKER KIT						
	385310808 VACUUM BREAKER KIT FOR HAND SPRAY **INCLUDES ITEM 21						
24*	385310809 HAND SPRAYER - CHROME						
	385310873 HAND SPRAYER - EBONY **INCLUDES ITEM 25						
25	385311729 4310/4410 PLUG-IN BASE KIT - WHITE						
	385311737 4310/4410 PLUG-IN BASE KIT - EBONY **INCLUDES ITEM 3-16 & 18						

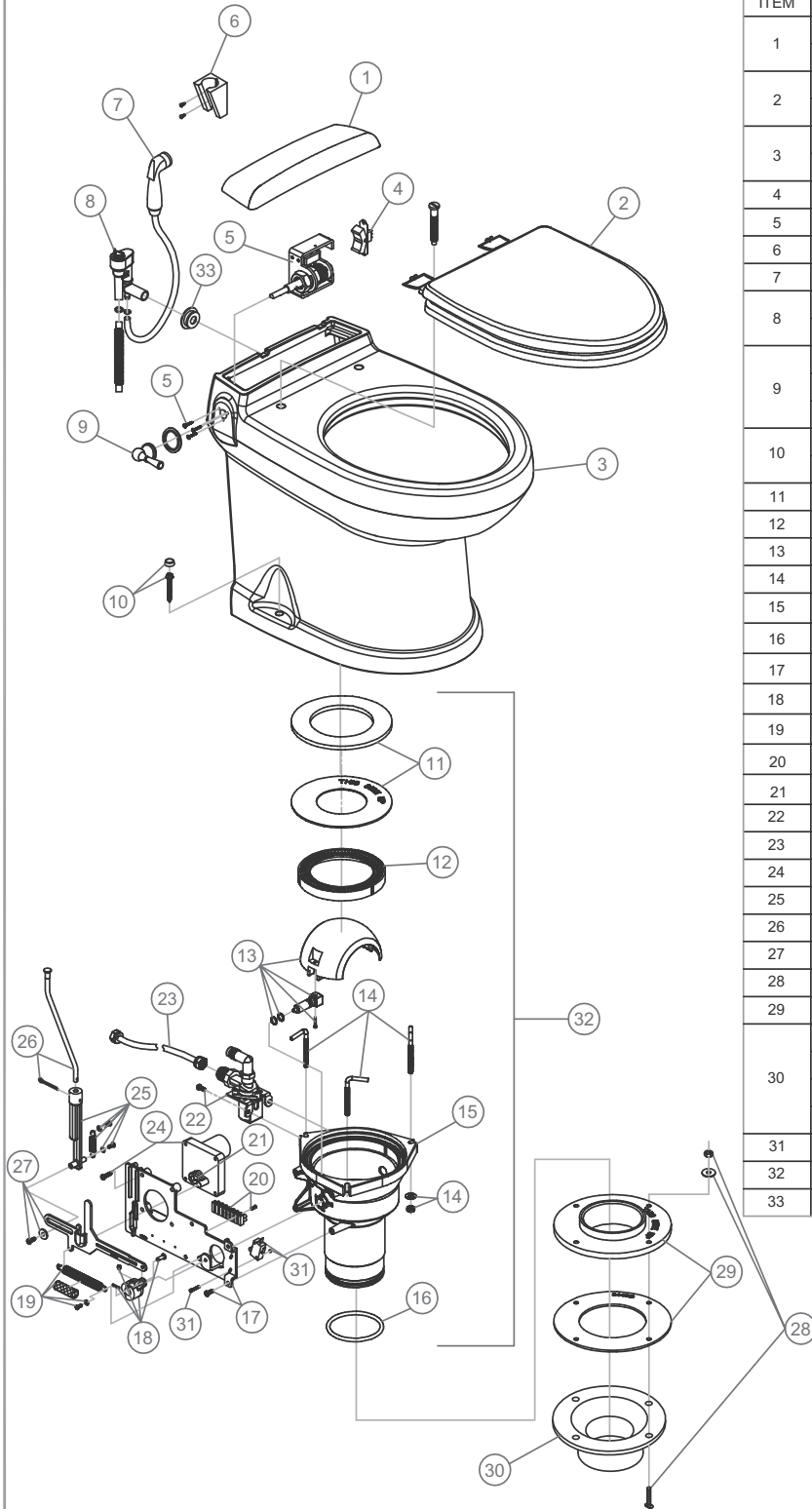


* ITEMS 24 IS AN OPTIONAL ACCESSORY;
NOT PROVIDED WITH EVERY MODEL.
** ITEM 28 IS SOLD SEPARATELY;
NOT INCLUDED WITH THE TOILET.



Dometic Corporation - Sanitation Systems
13128 State Rt. 226, P.O. Box 38
Big Prairie, OH 44611-0038 USA
Telephone: 330-439-5550
Fax: 330-496-3097
Email: sealand@dometicusa.com

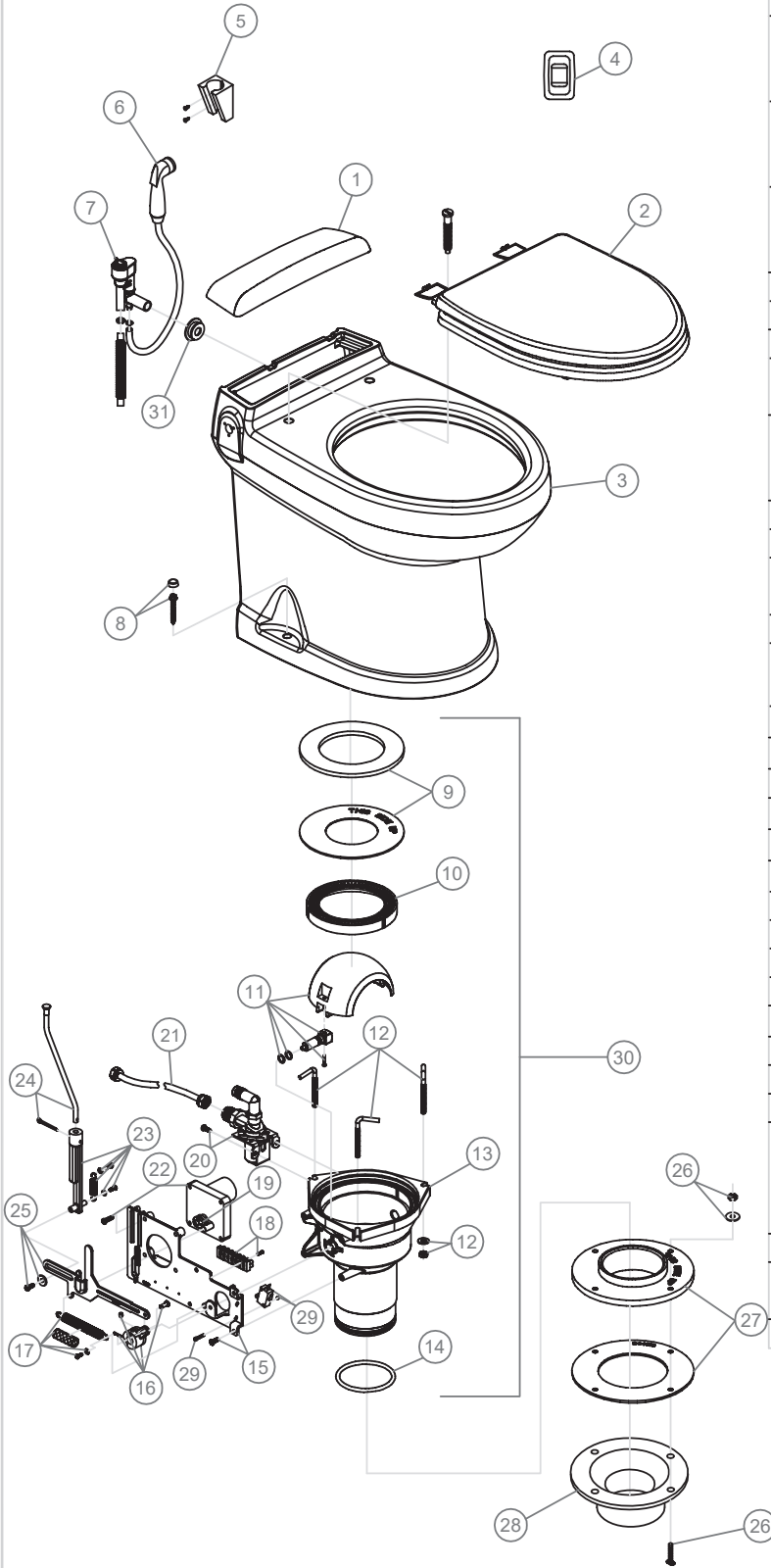
PARTS LIST: 4310 PLUG IN BASE



ITEM	PART NUMBER	DESCRIPTION
1	385311001	ACCESS COVER, WHITE
	385311002	ACCESS COVER, BONE
2	385311005	SEAT & COVER - WHITE
	385311006	SEAT & COVER - BONE
3	385311007	CHINA BOWL, WHITE
	385311008	CHINA BOWL, BONE
4	385311290	KIT, ROCKER SWITCH-4300
5	385311291	KIT, FLUSH ASSY 4310
6	385311131	SPRAY BRACKET CHROME
7	385310809	KIT, HAND SPRAY-CHROME
8	385310807	KIT, VAC BRK'R ASY/PLUGIN BASE W/O SPRAY (INC 33)
	385310808	KIT, VAC BRK'K SPRAY/PLUGIN BS (INC 33)
9	385310962	FLUSH HANDLE WITH SET SCREW, CHROME
	385310963	FLUSH HANDLE WITH SET SCREW, GOLD
	385311141	FLUSH HANDLE WITH SET SCREW, NICKEL
10	385310679	MOUNTING KIT - WHITE
	385310785	MOUNTING KIT - BONE
11	385311009	KIT, SEAL PLUG IN BASE
12	385311292	KIT, BASE RING INSERT
13	385310969	SHAFT/ HALF BALL KIT
14	385311011	L- BOLTS/NUTS /WASH/ PLUG IN BASE
15	385311293	BASE KIT (INC ITEMS 14,16-19,25-27,31)
16	385311294	KIT, O'RING PLUG-IN BASE
17	385311295	KIT, MTG BRACKET 4300/4400 (INC. ITEMS 18,19,27,31)
18	385311296	KIT, ROTOR SHAFT CAM 4300/4400
19	385311297	KIT, LINKAGE SPRING 4300/4400
20	385311298	KIT, TERM BLK/WIRING 4300/4400
21	385311299	KIT, MTR DRIVE ARM 4300/4400
22	385311709	KIT, WATER VALVE-12VDC RETRO
23	385311018	KIT, PLUG-IN SUPPLY HOSE
24	385311300	KIT, MOTOR REPL 4300/4400 (INC. ITEM 21)
25	385311301	KIT, OVERRIDE SPRING 4300/4400
26	385311302	KIT, OVERRIDE ASSY 4300/4400
27	385311303	KIT, LINKAGE DRIVE 4300/4400
28	385310064	KIT, MOUNT
29	385311013	FLOOR FLANGE ADAPTER KIT (inc. item 26)
30	385343765	FLOOR FLANGE 3" SPIGOT (sold separately)
	385345892	FLOOR FLANGE 3" HUB (sold separately)
	385345889	FLOOR FLANGE 3" MALE PIPE THREAD (sold separately)
	307344653	FLOOR FLANGE 45° SWIVEL (sold separately)
31	385311003	KIT, CON'TO FLUSH SWITCH
32	385311304	KIT, BASE 4300/4400 COMPLETE
33	385311164	KIT, SEALING GROMMET 1/2"

Dometic Corporation - Sanitation Systems
13128 State Rt. 226, P.O. Box 38
Big Prairie, OH 44611-0038 USA
Telephone: 330-496-3211
Fax: 330-496-3097
Email: sealand@dometicusa.com

PARTS LIST: 4410 PLUG IN BASE

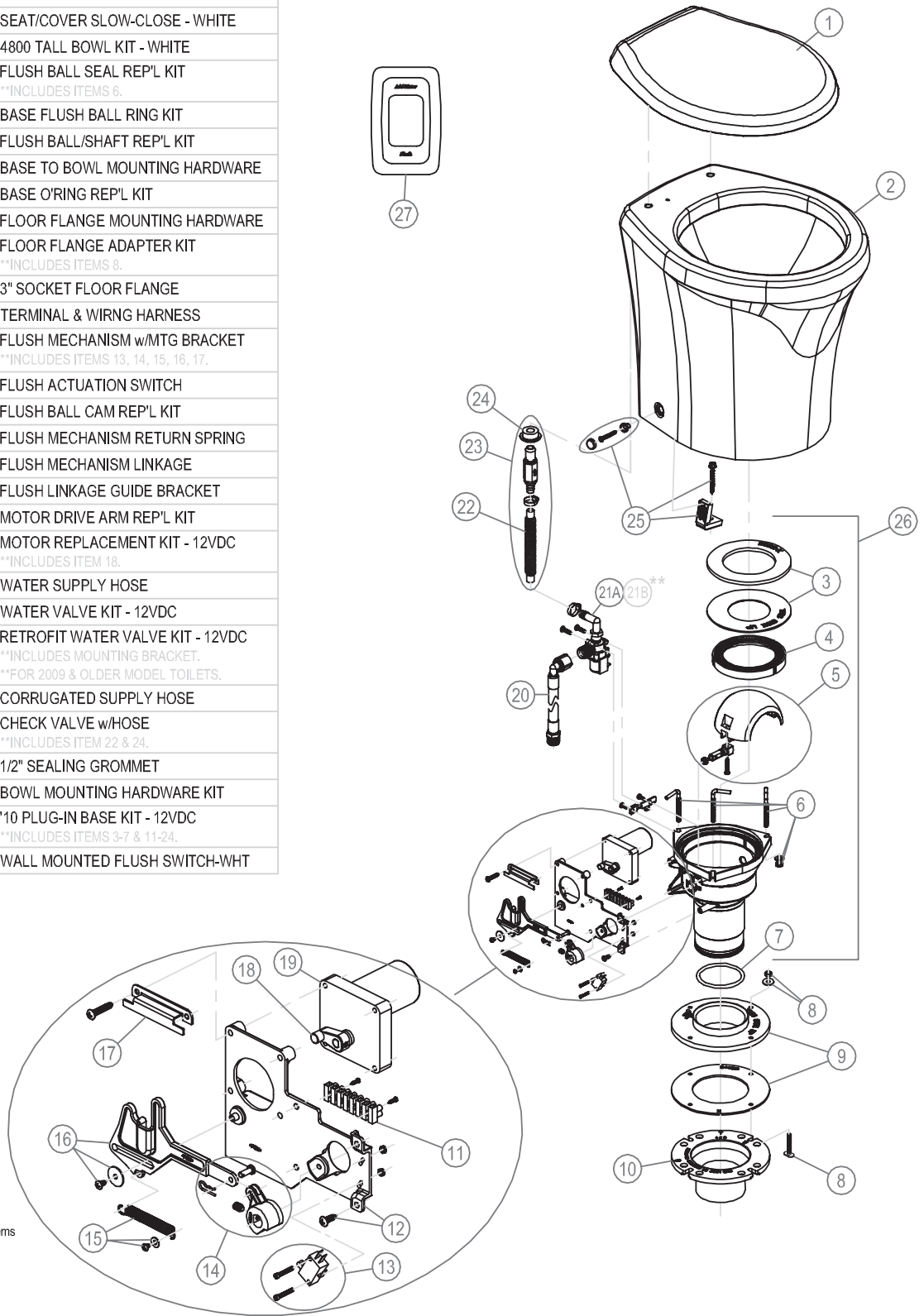


ITEM	PART NUMBER	DESCRIPTION
1	385311001	KIT, CON'TO ACCESS C'VR-WHT
	385311002	KIT, CON'TO ACCESS C'VR-BONE
	N/A	ACCESS COVER, EBONY
2	385311005	KIT, CON'TO SEAT & LID-WHT
	385311006	KIT, CON'TO SEAT & LID-BONE
	385311597	KIT, CON'TO SEAT & C'VR-EBONY
3	385311007	KIT, CON'TO BOWL-WHT
	385311008	KIT, CON'TO BOWL-BONE
	385311598	KIT, CON'TO BOWL-EBONY
4	385311139	KIT, WALL MT SWITCH-GRAVITY
5	385311131	SPRAY BRACKET CHROME
6	385310809	KIT, HAND SPRAY-CHROME
7	385310807	KIT, VAC BRK'R ASY/PLUGIN BASE W/O SPRAY (INC 31)
	385310808	KIT, VAC BRK'K SPRAY/PLUGIN BS (INC 31)
8	385310679	KIT, MOUNTING-ECO-VAC - WHITE
	385310785	KIT, MOUNTING-ECO-VAC - BONE
	385311020	KIT, CON'TO MT'G HARD-CHR
9	385311009	KIT, SEAL PLUG IN BASE
10	385311292	KIT, BASE RING INSERT
11	385310969	KIT, MO HALFBL/SHAFT AY-WHT
	385310971	KIT, MO HALFBL/SHAFT AY-EBY
12	385311011	KIT, CON'TO L-BOLT/NUTS/WSHR
13	385311293	KIT, BASE 4310/4410 ASSY (INC. 14-17,23-25,29)
	385311599	KIT, BASE 4310/4410 ASSY-EBONY(INC. 14-17,23-25,29)
14	385311294	KIT, O'RING PLUG-IN BASE
15	385311295	KIT, MTG BRACKET (INC. 16,17,25,29)
16	385311296	KIT, ROTOR SHAFT CAM 4300/4400
17	385311297	KIT, LINKAGE SPRING 4300/4400
18	385311298	KIT, TERM BLK/WIRING 4300/4400
19	385311299	KIT, MTR DRIVE ARM 4300/4400
20	385311709	KIT, WATER VALVE-12VDC RETRO
21	385311018	KIT, PLUG-IN SUPPLY HOSE
22	385311300	KIT, MOTOR REPL ⁴³⁰⁰ / ₄₄₀₀ (INC. ITEM 19)
23	385311301	KIT, OVERRIDE SPRING ⁴³⁰⁰ / ₄₄₀₀
24	385311302	KIT, OVERRIDE ASSY 4300/4400
25	385311303	KIT, LINKAGE DRIVE 4300/4400
26	385310064	KIT, MOUNT-TRAVELER-506/806
27	385311013	FLOOR FLANGE ADAPTER KIT (INC. 26)
28	385343765	FLOOR FLANGE 3" SPIGOT (sold separately)
	385345892	FLOOR FLANGE 3" HUB (sold separately)
	385345889	FLOOR FLANGE 3" MALE PIPE THREAD (sold separately)
	307344653	FLOOR FLANGE 45° SWIVEL (sold separately)
29	385311003	KIT, CON'TO FLUSH SWITCH
30	385311304	KIT, BASE 4300/4400 COMPLETE
	385311600	KIT, BASE 4300/4400 COMPT-EBY
31	385311164	KIT, SEALING GROMMET 1/2"

Dometic Corporation - Sanitation Systems
 13128 State Rt. 226, P.O. Box 38
 Big Prairie, OH 44611-0038 USA
 Telephone: 330-496-3211
 Fax: 330-496-3097
 Email: sealand@dometicusa.com

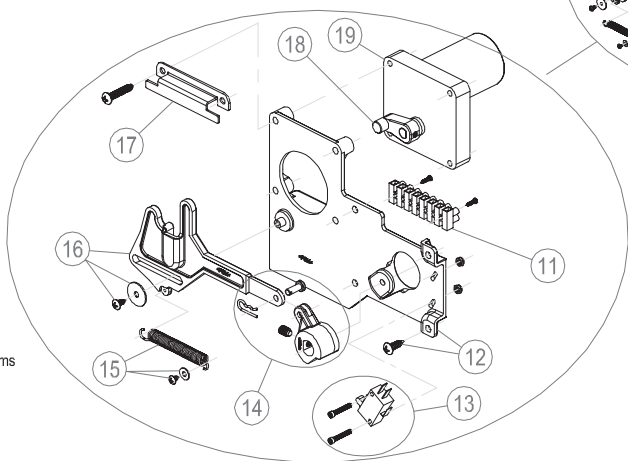
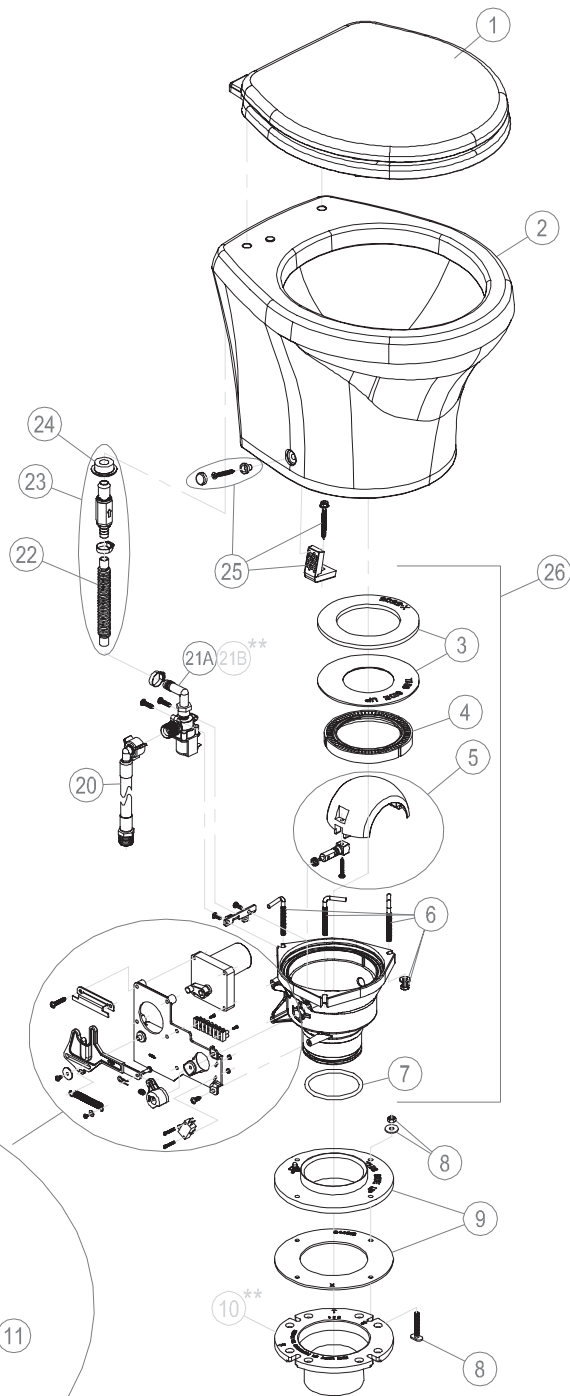
PARTS LIST: 4810 MODEL SERIES - 302481510

ITEM	PART NUMBER & DESCRIPTION
1	385311618 SEAT/COVER SLOW-CLOSE - WHITE
2	385311380 4800 TALL BOWL KIT - WHITE
3	385311009 FLUSH BALL SEAL REPL KIT **INCLUDES ITEMS 6.
4	385311292 BASE FLUSH BALL RING KIT
5	385310969 FLUSH BALL/SHAFT REPL KIT
6	385311011 BASE TO BOWL MOUNTING HARDWARE
7	385311294 BASE O'RING REP'L KIT
8	385310064 FLOOR FLANGE MOUNTING HARDWARE
9	385311013 FLOOR FLANGE ADAPTER KIT **INCLUDES ITEMS 8.
10	385345892 3" SOCKET FLOOR FLANGE
11	385311901 TERMINAL & WIRNG HARNESS
12	385311394 FLUSH MECHANISM w/MTG BRACKET **INCLUDES ITEMS 13, 14, 15, 16, 17.
13	385311673 FLUSH ACTUATION SWITCH
14	385311296 FLUSH BALL CAM REPL KIT
15	385311393 FLUSH MECHANISM RETURN SPRING
16	385311392 FLUSH MECHANISM LINKAGE
17	385311429 FLUSH LINKAGE GUIDE BRACKET
18	385311299 MOTOR DRIVE ARM REPL KIT
19	385311300 MOTOR REPLACEMENT KIT - 12VDC **INCLUDES ITEM 18.
20	385311547 WATER SUPPLY HOSE
21A	385311545 WATER VALVE KIT - 12VDC
21B**	385311709 RETROFIT WATER VALVE KIT - 12VDC **INCLUDES MOUNTING BRACKET. **FOR 2009 & OLDER MODEL TOILETS.
22	385311869 CORRUGATED SUPPLY HOSE
23	385311384 CHECK VALVE w/HOSE **INCLUDES ITEM 22 & 24.
24	385311164 1/2" SEALING GROMMET
25	385311463 BOWL MOUNTING HARDWARE KIT
26	385311902 '10 PLUG-IN BASE KIT - 12VDC **INCLUDES ITEMS 3-7 & 11-24.
27	385311139 WALL MOUNTED FLUSH SWITCH-WHT



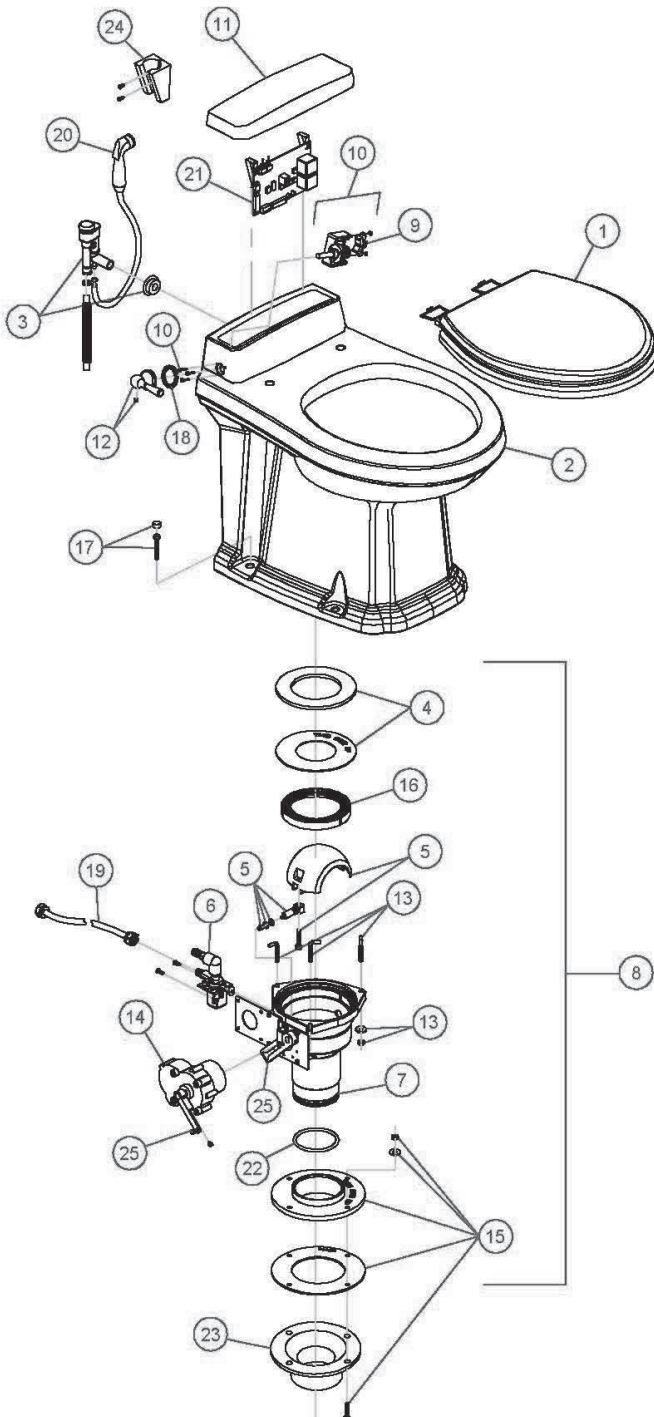
PARTS LIST: 4811 MODEL SERIES - 302481110

ITEM	PART NUMBER & DESCRIPTION
1	385311694 SEAT/COVER WOOD - WHITE
2	385311378 4800 SHORT BOWL KIT - WHITE
3	385311009 FLUSH BALL SEAL REPL KIT **INCLUDES ITEMS 6.
4	385311292 BASE FLUSH BALL RING KIT
5	385310969 FLUSH BALL/SHAFT REPL KIT
6	385311011 BASE TO BOWL MOUNTING HARDWARE
7	385311294 BASE O'RING REPL KIT
8	385310064 FLOOR FLANGE MOUNTING HARDWARE
9	385311013 FLOOR FLANGE ADAPTER KIT **INCLUDES ITEMS 8.
10**	385343765 3" SPIGOT FLOOR FLANGE 385345892 3" SOCKET FLOOR FLANGE 385345889 3" MPT FLOOR FLANGE 385344653 45° SWIVEL FLOOR FLANGE **THESE ITEMS SOLD SEPARATELY.
11	385311873 TERMINAL & WIRING HARNESS
12	385311394 FLUSH MECHANISM w/MTG BRACKET **INCLUDES ITEMS 13, 14, 15, 16, 17.
13	385311673 FLUSH ACTUATION SWITCH
14	385311296 FLUSH BALL CAM REPL KIT
15	385311393 FLUSH MECHANISM RETURN SPRING
16	385311392 FLUSH MECHANISM LINKAGE
17	385311429 FLUSH LINKAGE GUIDE BRACKET
18	385311299 MOTOR DRIVE ARM REPL KIT
19	385311300 MOTOR REPLACEMENT KIT - 12VDC **INCLUDES ITEM 18.
20	385311547 WATER SUPPLY HOSE
21A	385311545 WATER VALVE KIT - 12VDC
21B**	385311709 RETROFIT WATER VALVE KIT - 12VDC **INCLUDES MOUNTING BRACKET. **FOR 2009 & OLDER MODEL TOILETS.
22	385311869 CORRUGATED SUPPLY HOSE
23	385311384 CHECK VALVE w/HOSE **INCLUDES ITEM 22 & 24.
24	385311164 1/2" SEALING GROMMET
25	385311463 BOWL MOUNTING HARDWARE
26	385311874 *11 PLUG-IN BASE KIT - 12VDC **INCLUDES ITEMS 3-7 & 11-24.



Dometic Corporation - Sanitation Systems
13128 State Rt. 226, P.O. Box 38
Big Prairie, OH 44611-0038 USA
Telephone: 330-496-3211
Fax: 330-496-3097
Email: sealand@dometicusa.com

PARTS LIST: 3010 PLUG IN BASE

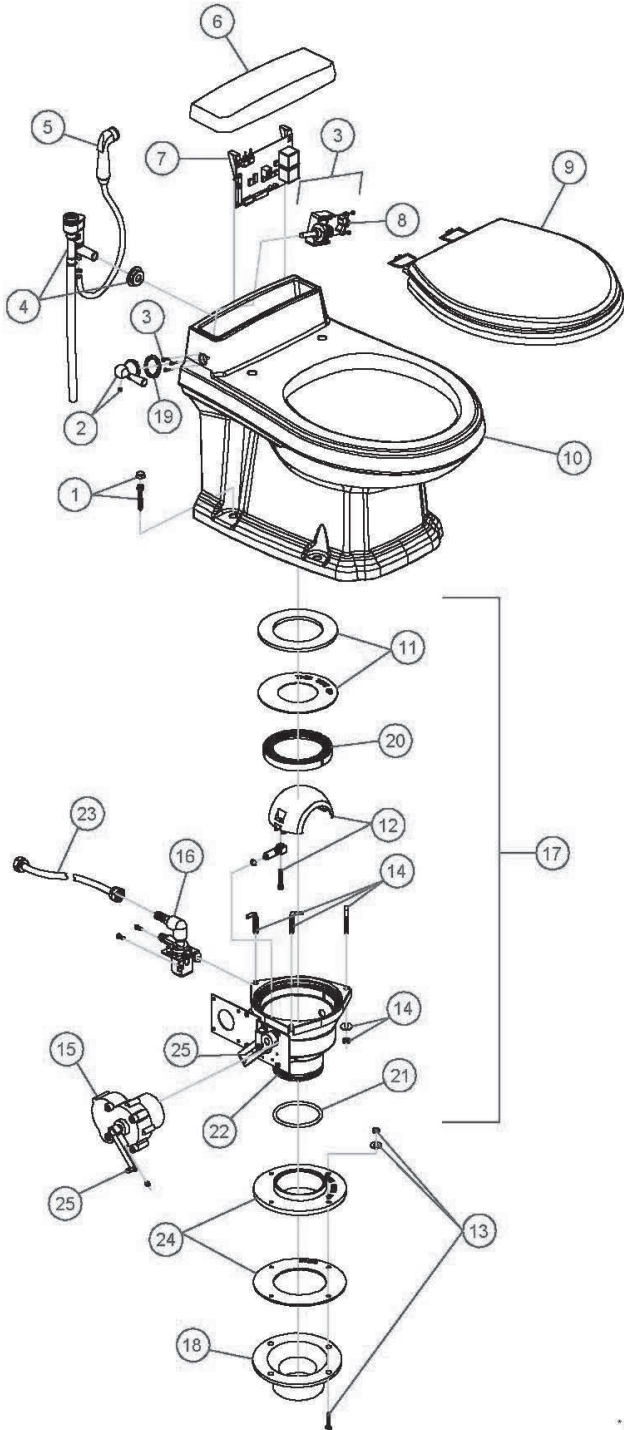


ITEM	PART NUMBER	DESCRIPTION
1	385344013	SEAT & COVER , WHITE
	385344014	SEAT & COVER , BONE
	385344018	SEAT & COVER , PLATINUM
	385344019	SEAT & COVER , EBONY
2	385310811	CHINA BOWL, WHITE
	385310812	CHINA BOWL, BONE
	385310867	CHINA BOWL, PLATINUM
	385310869	CHINA BOWL, EBONY
3	385310807	VACUUM BREAKER ASSEMBLY
	385310808	VACUUM BREAKER ASSY-HAND SPRAY MODEL
4	385311009	KIT, SEAL PLUG IN BASE
5	385310969	SHAFT/ HALF BALL KIT
	385310971	SHAFT/HALF BALL KIT EBONY
6	385310821	WATER VALVE w/MOUNTING SCREWS (12VDC)
7	385311051	BASE 3010 PLUG IN
8	385311050	COMPLETE BASE 3010 PLUG IN (INCLUDES ITEMS 4-7,13-14,16,18,22)
9	385310965	KIT, ROCKER SWMTCB W/CABLE
10	385310964	FLUSH CONTROL ASSY (INCLUDES CABLE)
11	385310851	ACCESS COVER, WHITE
	385310852	ACCESS COVER, BONE
	385310864	ACCESS COVER, PLATINUM
	385310866	ACCESS COVER, EBONY
12	385310962	FLUSH HANDLE WITH SET SCREW, CHROME
	385310963	FLUSH HANDLE WITH SET SCREW, GOLD
	385344141	KIT, FLUSH HANDLE-NICKLE
13	385311011	L- BOLTS/NUTS W/ASH/ PLUG IN BASE
14	385310822	MOTOR & MOUNTING HARDWARE (12VDC)
15	385311013	FLOOR FLANGE ADAPTER KIT
16	385311292	RING, BASE INSERT
17	385310813	CHINA BOWL MOUNTING KIT, CHROME
	385310814	CHINA BOWL MOUNTING KIT, GOLD
18	600344695	WASHER, FLUSH HANDLE
19	385311018	SUPPLY HOSE
20	385310809	HAND SPRAY, CHROME
	385310873	HAND SPRAY, EBONY
21	385310887	CONTROL MODULE KIT-12VDC
22	385311294	O'RING 3.1 X 3.5 X .21
23	385343765	FLOOR FLANGE 3" SPIGOT (sold separately)
	385345892	FLOOR FLANGE 3" HUB (sold separately)
	385345889	FLOOR FLANGE 3" MALE PIPE THREAD (sold separately)
	307344653	FLOOR FLANGE 45° SWIVEL (sold separately)
24	385311131	BRACKET CHROME (includes screws)
	385311125	BRACKET EBONY (includes screws)
25	385311417	KIT, BASE DRIVE ARMS
N/S	385310854	ACCESS COVER MOUNTING KIT

* WHENEVER THE BASE IS REMOVED, YOU MUST REPLACE THE L-BOLTS AND NUTS.

Dometic Corporation - Sanitation Systems
13128 State Rt. 226, P.O. Box 38
Big Prairie, OH 44611-0038 USA
Telephone: 330-496-3211
Fax: 330-496-3097
Email: sealand@dometicusa.com

PARTS LIST: 3011



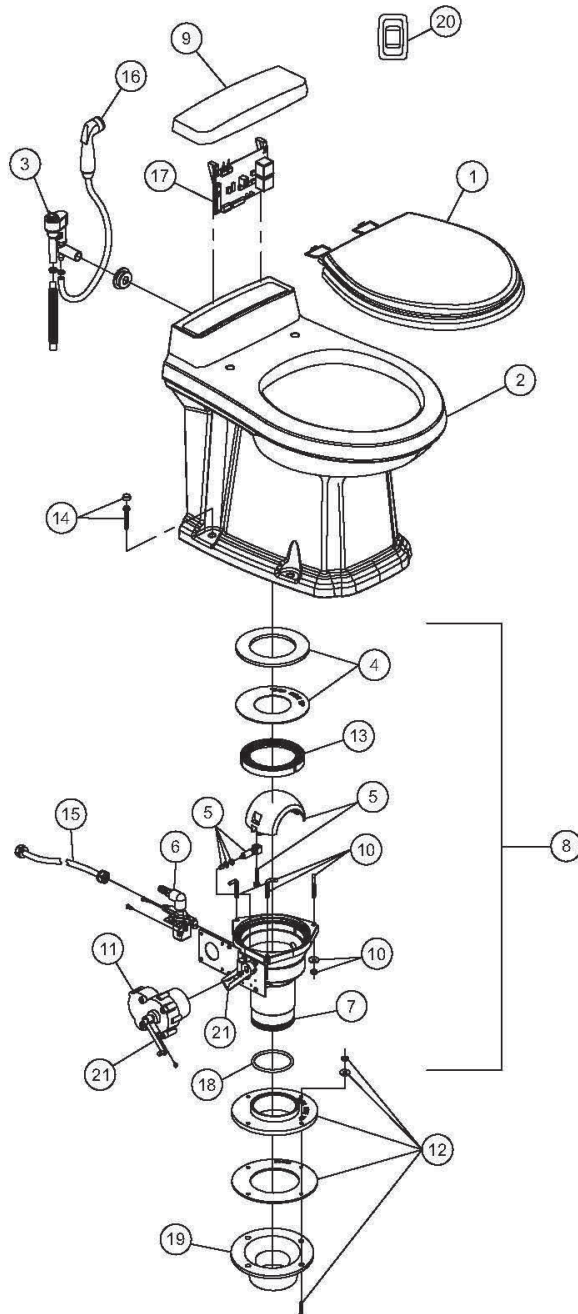
ITEM	3011	DESCRIPTION
1	385310813	CHINA BOWL MOUNTING KIT, CHROME
	385310814	CHINA BOWL MOUNTING KIT, GOLD
2	385310962	KIT, FLUSH HANDLE-CHROME (MO)
	385310963	KIT, FLUSH HANDLE-GOLD (MO)
	385311141	KIT, FLUSH HANDLE-NICKLE
3	385310964	KIT, FLUSH MECH (MO) (INCLUDES CABLE)
4	385310807	KIT, VAC BRK'R ASY/PLUGIN BASE
	385310808	KIT, VAC BRK'K SPRAY/PLUGIN BS
5	385310809	KIT, HAND SPRAY-CHROME
	385310873	KIT, SPRAY-EBONY
6	385310851	KIT, ACCESS LID/MAGNUM OPUS WHT
	385310852	KIT, ACCESS LID/MAGNUM OPUS BON
	385310864	KIT, ACCESS LID/MAGNUM OPUS BON
	385310866	KIT, ACCESS LID/MAGNUM OPUS EBY
7	385310887	KIT, MAG OPUS C BOARD-12/TRAV
8	385310965	KIT, ROCKER ST'CH/CABLE (MO)
	385344013	KIT, SEAT-CV'R MAG OP-WHITE
9	385344014	KIT, SEAT-CV'R MAG OP-BONE
	385344018	KIT, SEAT-CV'R MAG OP-PLAT
	385344019	KIT, SEAT-CV'R MAG OP-EBONY
	385310857	KIT, BOWL 3011/3006 - WHITE
10	385310858	KIT, BOWL 3011/3006 - BONE
	385310870	KIT, BOWL 3011/3006/PLAT
	385310872	KIT, BOWL 3011/3006/EBONY
	385310819	KIT, BALL SEAL/MAGNUM OPUS
12	385310969	KIT, MO HALFB'L/SHAFT AY-WHWT
	385310971	KIT, MO HALFB'L/SHAFT AY-EBY
13	385310064	KIT, MOUNT-TRAVELER-506/806
14	385311011	KIT, CON'TO L-BOLT/NUTS/MWSHR
15	385310822	MOTOR & MOUNTING HARDWARE (12VDC)
16	385310821	WATER VALVE w/MOUNTING SCREWS (12VDC)
17	385311471	KIT, BASE ASSY MO3011 (PLUGIN) (18 NOT INC)
18	385343765	FLOOR FLANGE 3" SPIGOT (sold separately)
	385345892	FLOOR FLANGE 3" HUB (sold separately)
	385345889	FLOOR FLANGE 3" MPT (sold separately)
	307344653	FLOOR FLANGE 45° SWIVEL (sold separately)
19	600344695	WASHER, FLUSH HANDLE
20	385311292	KIT, BASE RING INSERT
21	385311294	KIT, O'RING PLUG-IN BASE
22	385311053	KIT, BASE '06 PLUGIN
23	385311018	KIT, PLUG-IN SUPPLY HOSE
24	385311013	KIT, CON'TO FLOOR FLANGE ADPT (inc. 13)
25	385311417	KIT, BASE DRIVE ARMS
N/S	385310854	ACCESS COVER MOUNTING KIT

* ITEM 17 INCLUDES 11-12,14-16,20-23

* WHENEVER THE BASE IS REMOVED, YOU MUST REPLACE THE L-BOLTS AND NUTS.

Dometic Corporation - Sanitation Systems
13128 State Rt. 226, P.O. Box 38
Big Prairie, OH 44611-0038 USA
Telephone: 330-496-3211
Fax: 330-496-3097
Email: sealand@dometicusa.com

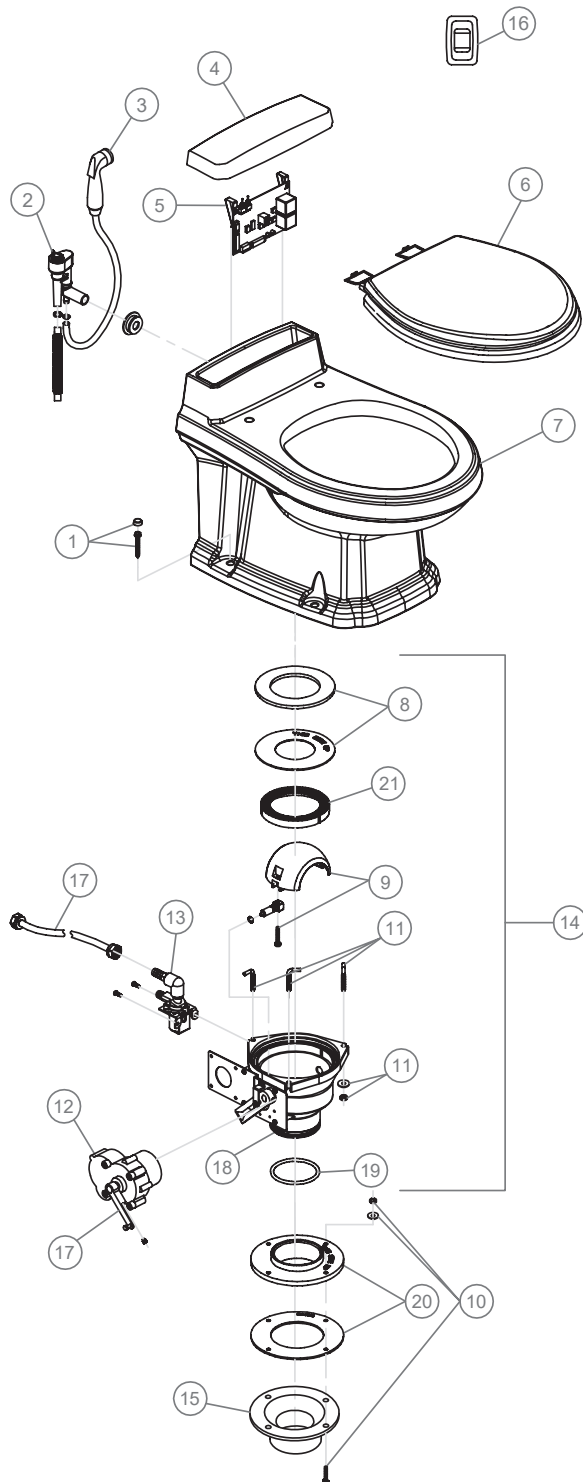
PARTS LIST: 3110 PLUG IN BASE



ITEM	PART NUMBER	DESCRIPTION
1	385344013	KIT, SEAT-CV'R MAG OP-WHITE
	385344014	KIT, SEAT-CV'R MAG OP-BONE
	385344018	KIT, SEAT-CV'R MAG OP-PLAT
	385344019	KIT, SEAT-CV'R MAG OP-EBONY
2	385310811	KIT,BOWL MAGNUM OPUS WHT TALL
	385310812	KIT,BOWL MAGNUM OPUS BONE TALL
	385310867	KIT,BOWL MAGNUM OPUS PLAT TALL
	385310869	KIT,BOWL MAGNUM OPUS EBY TALL
3	385310807	KIT, VAC BRK'R ASY/PLUGIN BASE
	385310808	KIT, VAC BRK'K SPRAY/PLUGIN BS
4	385311009	KIT, PLUG IN BASE SEALS
5	385310969	KIT, MO HALFBL/SHAFT AY-WHT
	385310971	KIT, MO HALFBL/SHAFT AY-EBY
6	385310821	KIT, WATER VALVE12/MAGNUM OPUS
7	385311051	KIT, BASE 3010 ASSY (INC. 4,5,10,13)
8	385311050	KIT, BASE 3010 PLUGIN COMPLETE
9	385310851	KIT,ACCESS LID/MAGNUM OPUS WHT
	385310852	KIT,ACCESS LID/MAGNUM OPUS BON
	385310864	KIT,ACCESS LID MAG OPUS/PLAT
	385310866	KIT,ACCESS LID/MAGNUM OPUS EBY
10	385311011	KIT, CONTO L-BOLT/NUTS/WSHR
11	385310822	KIT, 12 MOTOR/MTG HARDWARE MO
12	385311013	KIT, CONTO FLOOR FLANGE ADPT
13	385311292	KIT, BASE RING INSERT
14	385310785	KIT, MOUNTING-ECOVAC - BONE
	385310679	KIT, MOUNTING-ECOVAC - WHITE
	385310813	KIT, MOUNT/MAGNUM OPUS/CHROME
	385310814	KIT, MOUNT/MAGNUM OPUS/GOLD
15	385311018	KIT, PLUG-IN SUPPLY HOSE
16	385310809	KIT, HAND SPRAY-CHROME
	385310873	KIT,SPRAY-EBONY
17	385310887	KIT,MAG OPUS C BOARD-12/TRAV
18	385311294	KIT, O'RING PLUG-IN BASE
19	385343765	FLOOR FLANGE 3" SPIGOT (NOT INC.)
	385345892	FLOOR FLANGE 3" HUB (NOT INC.)
	385345889	FLOOR FLANGE 3" MPT (NOT INC.)
	307344653	FLOOR FLANGE 45° SWIVEL (NOT INC.)
20	385311139	KIT, WALL MT SWITCH-GRAVITY (CABLE INC. 8')
21	385311417	KIT, BASE DRIVE ARMS
N/S	385310854	KIT,ACCESS LID MT/MAGNUM OPUS

* WHENEVER THE BASE IS REMOVED, YOU MUST REPLACE THE L-BOLTS AND NUTS.

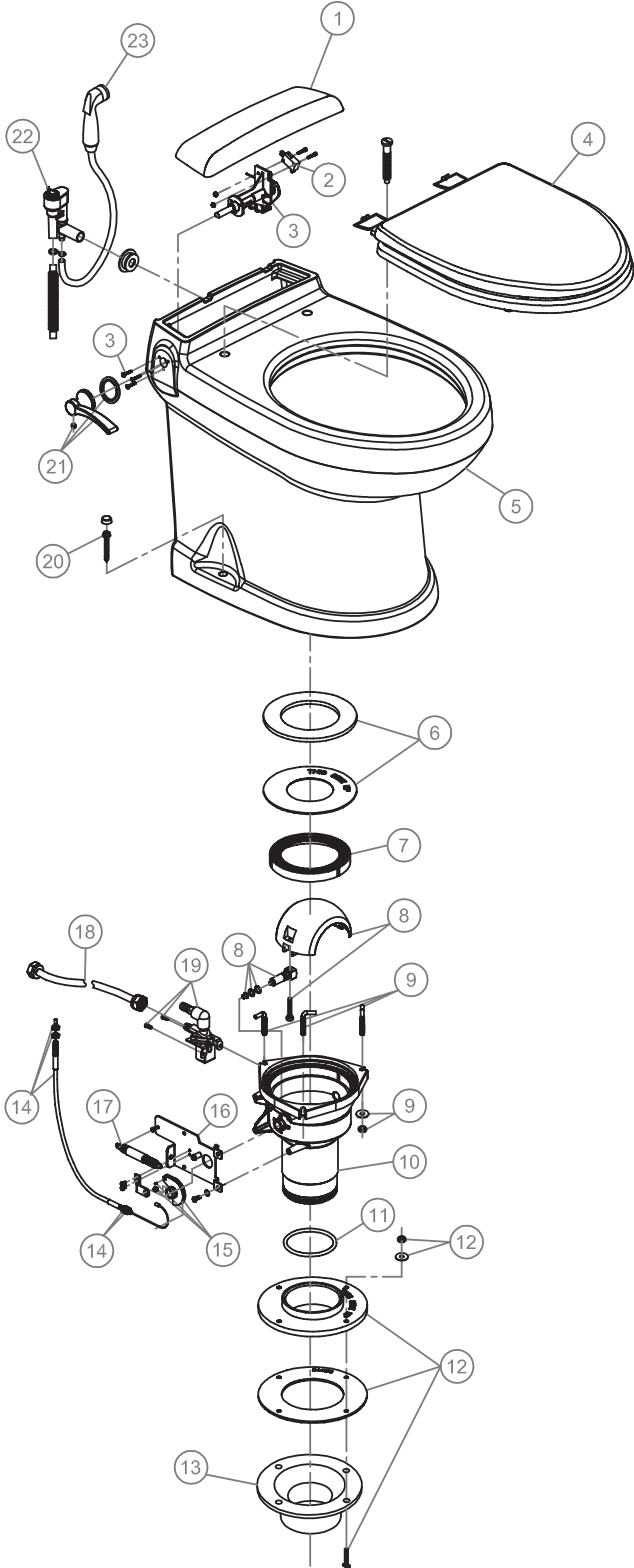
PARTS LIST: 3111



ITEM	3011	DESCRIPTION
1	385310813	KIT, MOUNT/MAGNUM OPUS/CHROME
	385310814	KIT, MOUNT/MAGNUM OPUS/GOLD
	385310785	KIT, MOUNTING-ECOVCAC - BONE
	385310679	KIT, MOUNTING-ECOVCAC - WHITE
2	385310807	KIT, VAC BRK'R ASY/PLUGIN BASE
	385310808	KIT, VAC BRK'K SPRAY/PLUGIN BS
3	385310809	KIT, HAND SPRAY-CHROME
	385310873	KIT, SPRAY-EBONY
4	385310851	KIT, ACCESS LID/MAGNUM OPUS WHT
	385310852	KIT, ACCESS LID/MAGNUM OPUS BON
	385310864	KIT, ACCESS LID MAG OPUS/PLAT
5	385310866	KIT, ACCESS LID/MAGNUM OPUS EBY
	385310887	KIT, MAG OPUS C BOARD-12/TRAV
	385344013	KIT, SEAT-CV'R MAG OP-WHITE
6	385344014	KIT, SEAT-CV'R MAG OP-BONE
	385344018	KIT, SEAT-CV'R MAG OP-PLAT
	385344019	KIT, SEAT-CV'R MAG OP-EBONY
	385310857	KIT, BOWL 3011/3006 - WHITE
7	385310858	KIT, BOWL 3011/3006 - BONE
	385310870	KIT, BOWL 3011/3006/PLAT
	385310872	KIT, BOWL 3011/3006/EBONY
	385311009	KIT, PLUG IN BASE SEALS
9	385310969	KIT, MO HALFB'L/SHAFT AY-WHT
	385310971	KIT, MO HALFB'L/SHAFT AY-EBY
10	385310064	KIT, MOUNT-TRAVELER-506/806
11	385311011	KIT, CON'TO L-BOLT/NUTS/WSHR
12	385310822	KIT, 12 MOTOR/MTG HARDWARE MO(INC. 17)
13	385310821	KIT, WATER VALVE12/MAGNUM OPUS
14	385311471	KIT, BASE ASSY MO3011(PLUGIN)
15	385343765	FLOOR FLANGE 3" SPIGOT (sold separately)
	385345892	FLOOR FLANGE 3" HUB (sold separately)
	385345889	FLOOR FLANGE 3" MPT (sold separately)
	385310961	FLOOR FLANGE 45° SWIVEL (sold separately) *MUST BE USED WITH SEAL INCLUDED*
16	385311139	KIT, WALL MT SWITCH-GRAVITY
17	385311417	KIT, BASE DRIVE ARMS
18	385311053	KIT, BASE '06 PLUGIN (INC. 8,9,11,19,21)
19	385311294	KIT, O'RING PLUG-IN BASE
20	385311013	KIT, CON'TO FLOOR FLANGE ADPT
21	385311292	KIT, BASE RING INSERT
N/S	385310854	KIT, ACCESS LID MT/MAGNUM OPUS

Dometic *Sealand*
 Dometic Corporation - Sanitation Systems
 13128 State Rt. 226, P.O. Box 38
 Big Prairie, OH 44611-0038 USA
 Telephone: 330-496-3211
 Fax: 330-496-3097
 Email: sealand@dometicus.com

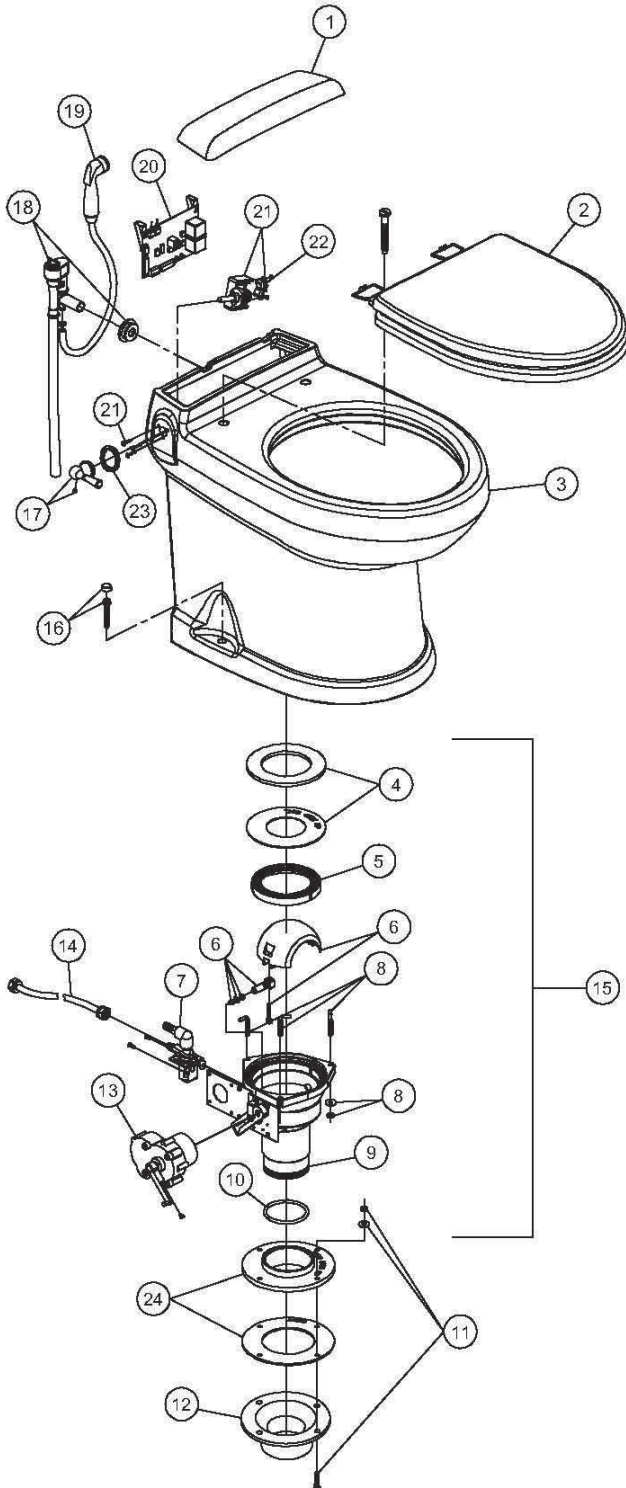
PARTS LIST: 3200 SERIES



ITEM	PART NO.	DESCRIPTION
1	385311001	ACCESS COVER, WHITE
	385311002	ACCESS COVER, BONE
2	385311003	FLUSH SWITCH ASSY
3	385311004	FLUSH SHAFT HANDLE KIT
4	385311005	SEAT & LID WHITE
	385311006	SEAT & LID BONE
5	385311007	CHINA BOWL, WHITE (inc. lid & dual lock)
	385311008	CHINA BOWL, BONE (inc. lid & dual lock)
6	385311009	BOWL SEAL KIT
7	385311292	RING BASE INSERT
8	385311010	SHAFT/HALF BALL KIT
9	385311011	J-BOLT W/NUTS, WASHER
10	385311028	CONCERTO BASE
11	385311294	O'RING 3.1 X 3.5 X .21
12	385311013	FLOOR FLANGE ADAPTER KIT
13*	385343765	FLOOR FLANGE 3" SPIGOT
	385345892	FLOOR FLANGE 3" HUB
	385345889	FLOOR FLANGE 3" MALE PIPE THREAD
	385310961	FLOOR FLANGE 45° SWIVEL *must use with seal included in kit.
14	385311014	FLUSH CABLE KIT
15	385311015	PULLEY KIT
16	385311016	BASE BRACKET
17	385311017	RETURN SPRING KIT
18	385311018	SUPPLY, HOSE
19	385310821	KIT, WATER VALVE12
20	385311020	MOUNTING HARDWARE CHROME
	385311021	MOUNTING HARDWARE GOLD
	385311022	KIT, CON'TO MT'G HARD-BONE/WHT
21	385311023	FLUSH HANDLE CHROME
	385311024	FLUSH HANDLE GOLD
	385311025	FLUSH HANDLE NICKEL
22	385310807	KIT, VAC BRK'R ASY/PLUGIN BASE
	385310808	KIT, VAC BRK'K SPRAY/PLUGIN BASE
23	385310809	HAND SPRAY, CHROME

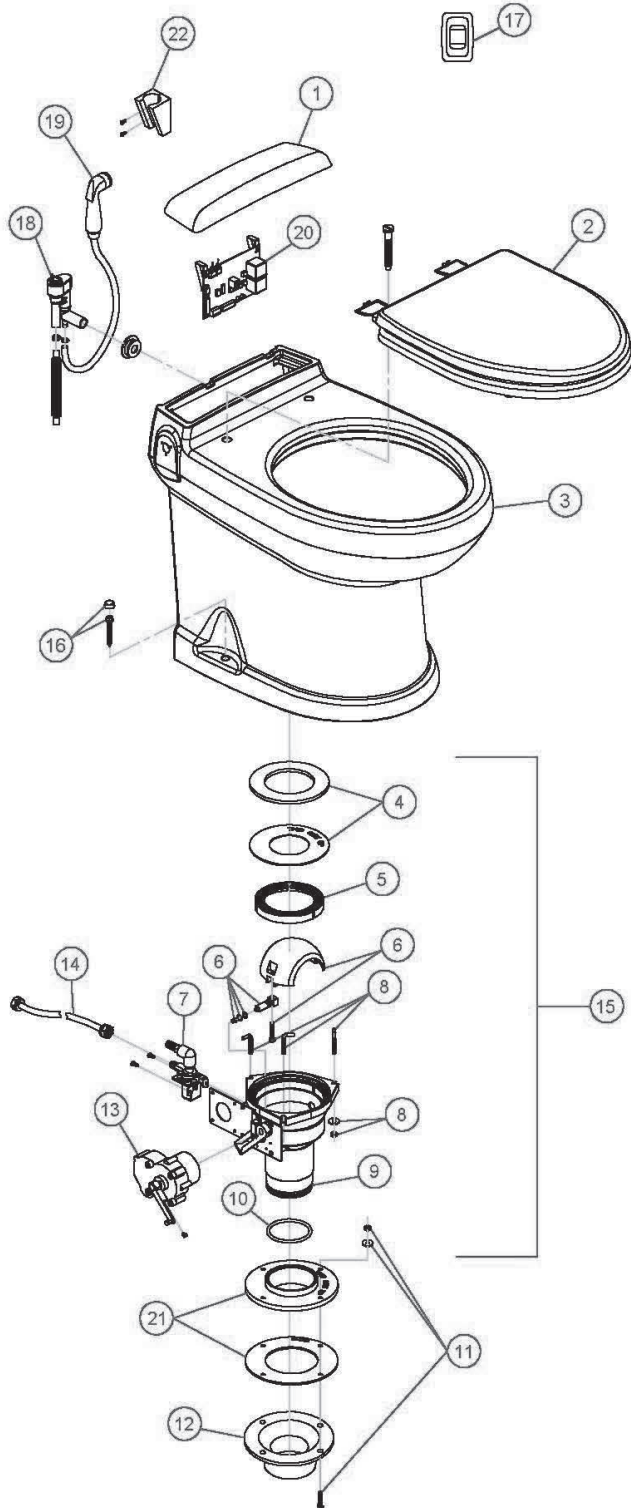
*ITEM 13 SOLD SEPARATELY

PARTS LIST: 3310 PLUG IN BASE



ITEM	PART NUMBER	DESCRIPTION
1	385311001	ACCESS COVER, WHITE
	385311002	ACCESS COVER, BONE
2	385311005	SEAT & COVER - WHITE
	385311006	SEAT & COVER - BONE
3	385311007	CHINA BOWL, WHITE
	385311008	CHINA BOWL, BONE
4	385311009	KIT, SEAL PLUG IN BASE
5	385311292	KIT, BASE RING INSERT
6	385310969	SHAFT/ HALF BALL KIT
7	385310821	WATER VALVE w/MOUNTING SCREWS (12VDC)
8	385311011	L- BOLTS/NUTS/WASHER/ PLUG IN BASE
9	385311051	BASE PLUG IN (inc. Item 8 - 10)
10	385311294	KIT, O'RING PLUG-IN BASE
11	385310064	MOUNTING KIT
12	385343765	FLOOR FLANGE 3" SPIGOT (sold separately)
	385345892	FLOOR FLANGE 3" HUB (sold separately)
	385345889	FLOOR FLANGE 3" MALE PIPE THREAD (sold separately)
	307344853	FLOOR FLANGE 45° SWIVEL (sold separately)
13	385310822	MOTOR & MOUNTING HARDWARE (12VDC)
14	385311018	SUPPLY HOSE
15	385311177	COMPLETE BASE 3310 PLUG IN (INCLUDES ITEMS 4-11 & 13)
16	385310679	MOUNTING KIT - WHITE
	385310785	MOUNTING KIT - BONE
17	385310962	FLUSH HANDLE WITH SET SCREW, CHROME
	385310963	FLUSH HANDLE WITH SET SCREW, GOLD
	385311141	FLUSH HANDLE WITH SET SCREW, NICKEL
18	385311026	VACUUM BREAKER KIT
	385311027	VACUUM BREAKER KIT - WITH SPRAY
19	385310809	HAND SPRAY
20	385311174	CONTROL MODULE 12VDC GRAVITY
21	385311175	FLUSH CONTROL ASSEMBLY w/CABLE
22	385311176	ROCKER SWITCH w/CABLE
23	600344695	WASHER, FLUSH HANDLE
24	385311013	FLOOR FLANGE ADAPTER KIT
N/S	385310854	ACCESS COVER MOUNTING KIT
N/S	385311417	KIT, BASE DRIVE ARMS

PARTS LIST: 3410 PLUG IN BASE



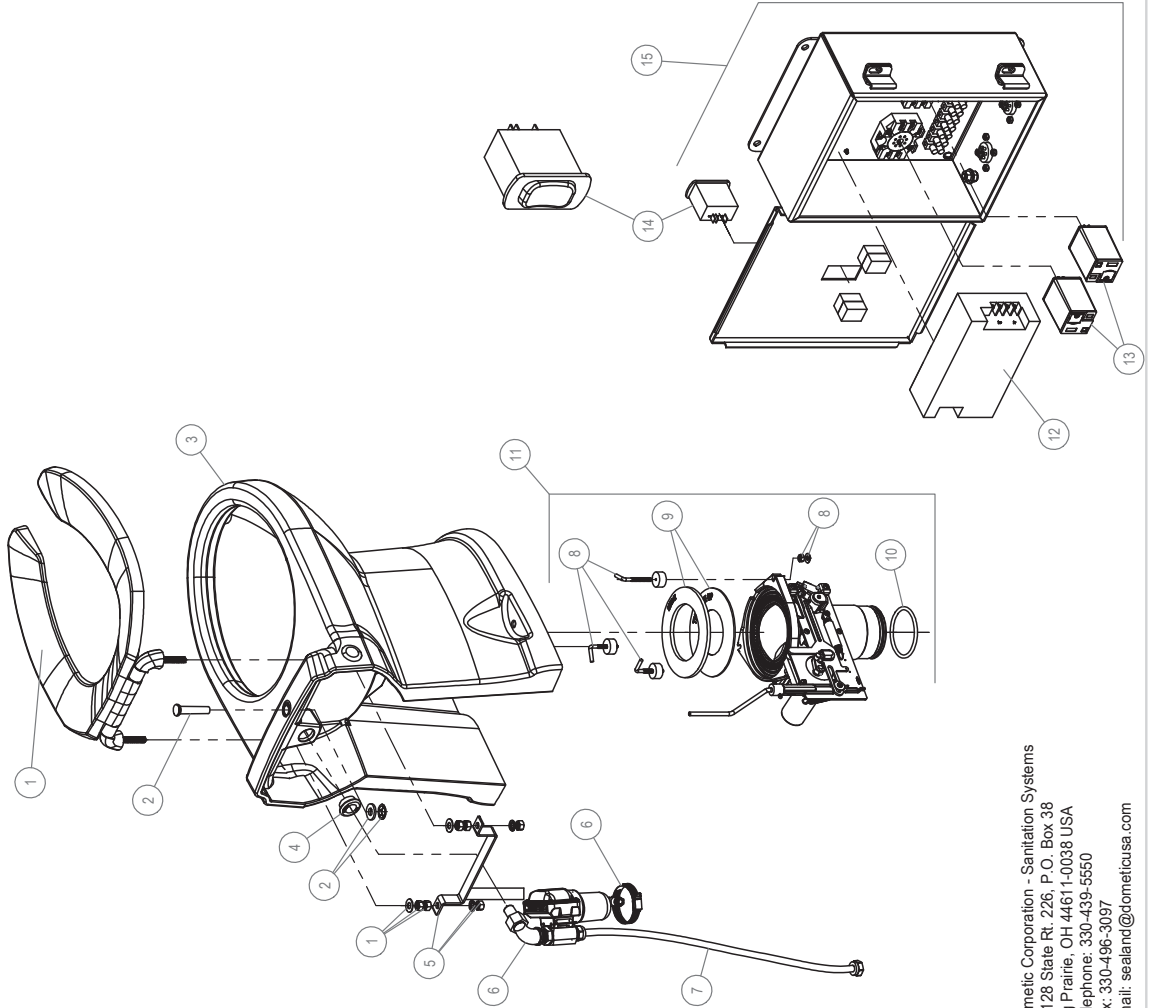
ITEM	PART NUMBER	DESCRIPTION
1	385311001	ACCESS COVER, WHITE
	385311002	ACCESS COVER, BONE
2	385311005	SEAT & COVER - WHITE
	385311006	SEAT & COVER - BONE
3	385311007	CHINA BOWL, WHITE
	385311008	CHINA BOWL, BONE
4	385311009	KIT, SEAL PLUG IN BASE
5	385311292	KIT, BASE RING INSERT
6	385310969	SHAFT/HALF BALL KIT
7	385310821	WATER VALVE w/MOUNTING SCREWS (12VDC)
8	385311011	L- BOLTS/NUTS /WASH/ PLUG IN BASE
9	385311051	BASE PLUG IN (inc. item 8 - 10)
10	385311294	KIT, O'RING PLUG-IN BASE
11	385310064	MOUNTING KIT
12	385343765	FLOOR FLANGE 3" SPIGOT (sold separately)
	385345892	FLOOR FLANGE 3" HUB (sold separately)
	385345889	FLOOR FLANGE 3" MALE PIPE THREAD (sold separately)
	307344653	FLOOR FLANGE 45° SWIVEL (sold separately)
13	385310822	MOTOR & MOUNTING HARDWARE (12VDC)
14	385311018	SUPPLY HOSE
15	385311177	COMPLETE BASE PLUG IN (INCLUDES ITEMS 4-11 & 13)
16	385310679	MOUNTING KIT - WHITE
	385310785	MOUNTING KIT - BONE
17	385311139	WALL SWITCH - CABLE INC.
18	385311026	VACUUM BREAKER KIT
	385311027	VACUUM BREAKER KIT - WITH SPRAY
19	385310809	KIT, HAND SPRAY-CHROME
20	385311174	CONTROL MODULE 12VDC GRAVITY
21	385311013	FLOOR FLANGE ADAPTER KIT (inc. item 11)
22	385311131	SPRAY BRACKET-CHROME
N/S	385310854	ACCESS COVER MOUNTING KIT
N/S	385311417	KIT, BASE DRIVE ARMS

Dometic Corporation - Sanitation Systems
 13128 State Rt. 226, P.O. Box 38
 Big Prairie, OH 44611-0038 USA
 Telephone: 330-496-3211
 Fax: 330-496-3097
 Email: sealand@dometicusa.com

P/N: 600346974
REV.: 03-03/15

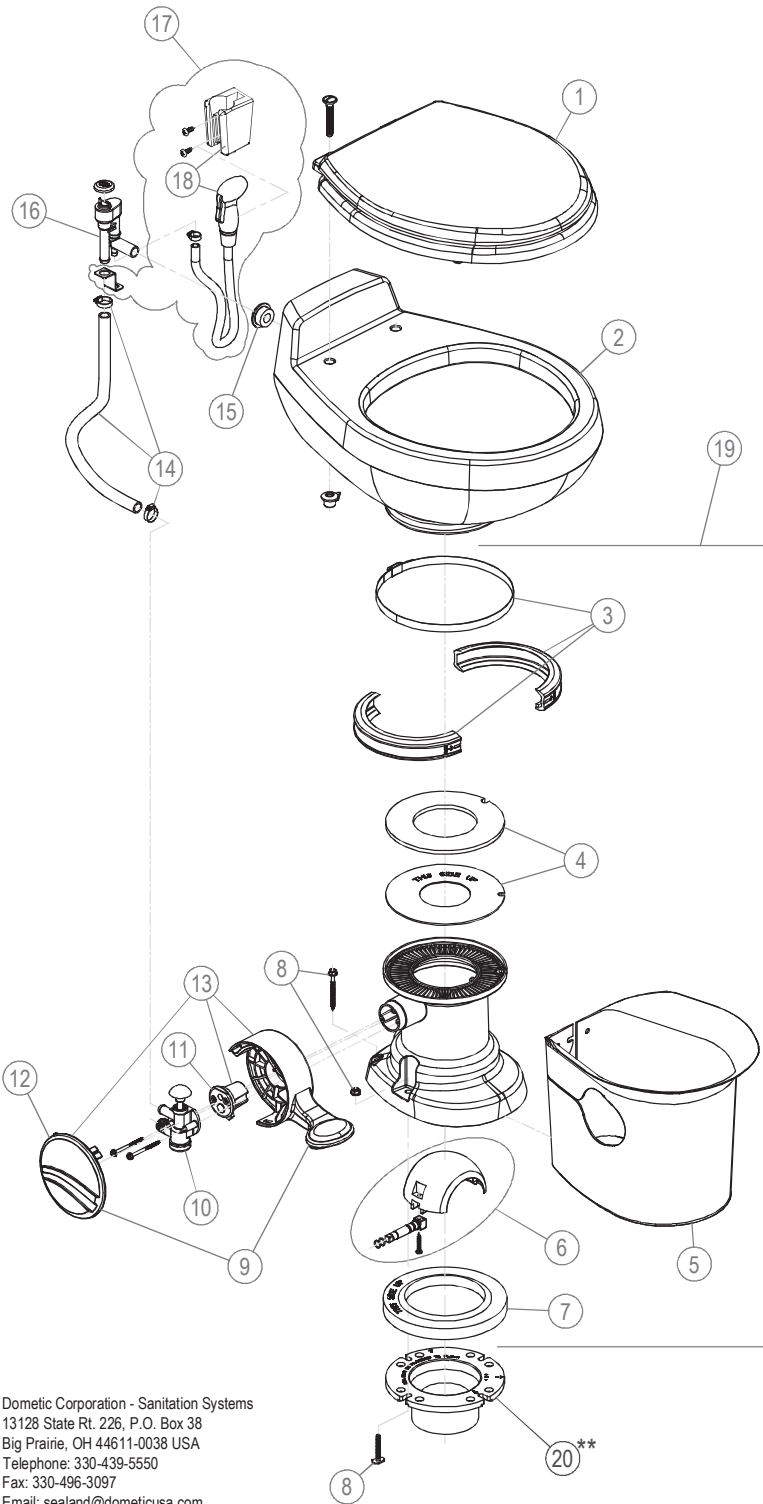
PARTS LIST: MODEL 4410N - 302449910

ITEM	PART NUMBER & DESCRIPTION
1	385311953 - SEAT (OPEN FRONT)-BLACK **Contains: 1x Seat; 2x Seat Hinge Spacers; 2x 5/16" Washers; 2x 5/16" Nuts
2	385311733 - MANUAL OVERRIDE GUIDE-WHITE **Contains: 1x Guide; 1x Spacer; 1x Lock Ring
3	385311730 - 4300/4400 REPLACEMENT BOWL - WHITE
4	385311164 - 1/2" SEAL GROMMET
5	385311955 - WATER VALVE MTG.BRACKET w/HARDWARE **Contains: 1x Bracket; 2x 5/16" Washers; 2x 5/16" Nuts
6	385311954 - WATER VALVE ASSY w/ MTG CLAMP
7	385311956 - WATER SUPPLY HOSE
8	385311011 - BASE TO BOWL MOUNTING HARDWARE **Contains: 3x L-bolts; 3x 1/4" Washers; 3x 1/4" Nuts; 3x Foam Retainers
9	385311009 - FLUSH BALL SEAL REPLACEMENT KIT **Includes Item 8. **Contains: 1x Flush Ball Seat; 1x Rubber Spacer
10	385311294 - BASE ORING REPLACEMENT
11	385311957 - 4410N PLUG-IN BASE KIT **Includes Items 8; 9; & 10
12	385311958 - POWER SUPPLY REPLACEMENT KIT (CONTROL MODULE) **Includes Mounting Hardware.
13	385311959 - REPLACEMENT RELAY 24V COIL (CONTROL MODULE)
14	385311961 - 4410N FLUSH SWITCH (CONTROL MODULE)
15	385311960 - 4410N CONTROL MODULE (COMPLETE) **Contains: 1x Rocker Switch; 4x Foam Cushioning; 4x m3-.5 Screw; 1x Mounting Plate; 1x Power Supply; 2x Relay Sockets; 4x #8-32 x 1/2" Screw; 2x 24v Relay; 3x #8-32 x 1" Screw; 1x Terminal Block; 7x #8 Lock Washer; 7x #6-32 Nut; 4x 1/4-20 Nut; 4x 5/8" Washer; 2x 1/4" Lock Washer; 1x 1/4-20 x 1-3/4" Screw Stud; 8x #4-40 x 3/8" Allen Screw; 1x Socket Connector; 1x Plug Connector; 8x #4-40 Lock Nut



Dometic Corporation - Sanitation Systems
13128 State Rt. 226, P.O. Box 38
Big Prairie, OH 44611-0038 USA
Telephone: 330-439-5550
Fax: 330-496-3097
Email: sealand@dometicusa.com

PARTS LIST: 510H

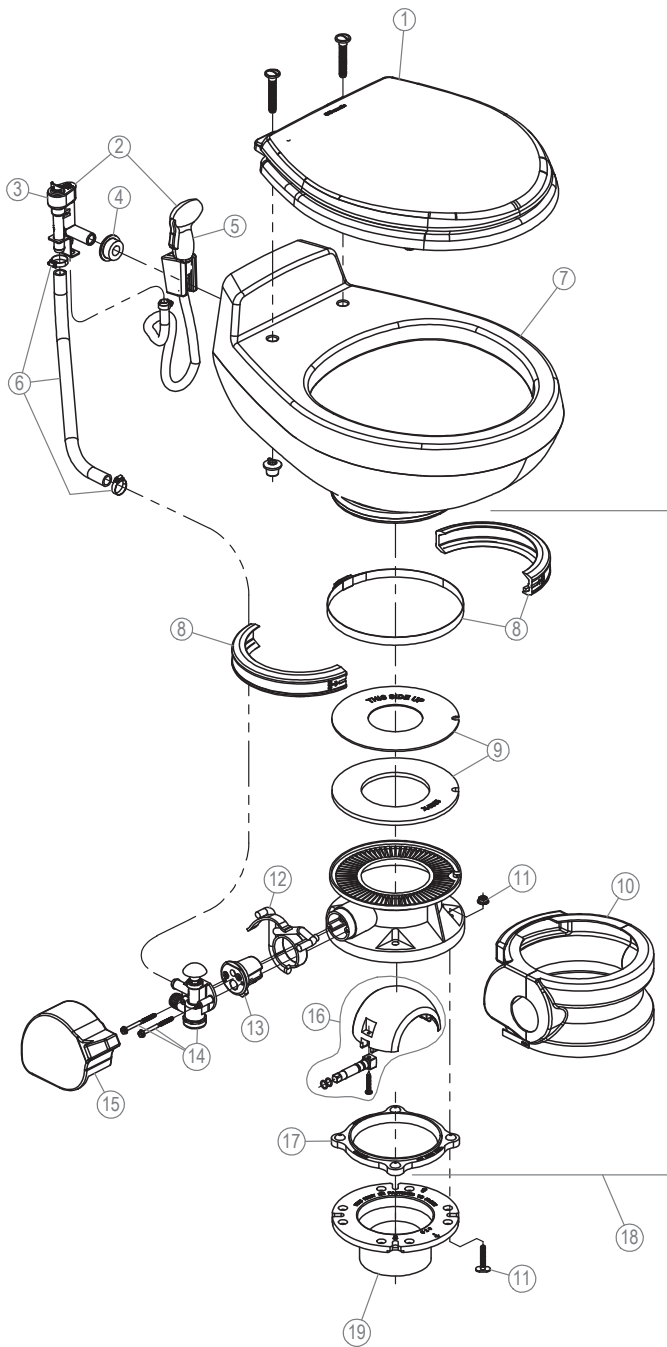


ITEM	PART NUMBER & DESCRIPTION
1	385343829 SEAT/COVER - WHITE 385343831 SEAT/COVER - BONE
2	385310739 CHINA BOWL KIT - WHITE 385310740 CHINA BOWL KIT - BONE
3	385310025 BOWL/BASE CLAMP KIT - WHITE 385310048 BOWL/BASE CLAMP KIT - BONE
4	385311462 FLUSH BALL SEAL REPL KIT
5	385311540 BASE SHROUD 500H - WHITE 385311541 BASE SHROUD 500H - BONE
6	385310681 FLUSH BALL, SHAFT, CARTRIDGE KIT **INCLUDES ITEM 11
7	385311267 FLOOR FLANGE SEAL
8	385311117 MOUNTING HARDWARE
9	385311119 PEDAL & COVER - WHITE 385311120 PEDAL & COVER - BONE
10	385314349 WATER VALVE KIT
11	385310683 SPRING CARTRIDGE KIT
12	385311179 PEDAL COVER - WHITE 385311180 PEDAL COVER - BONE
13	385311121 PEDAL/CARTRIDGE KIT - WHITE 385311122 PEDAL/CARTRIDGE KIT - BONE **INCLUDES ITEM 11 & 12
14	385340177 BOWL WATER SUPPLY HOSE - WHITE 385345377 BOWL WATER SUPPLY HOSE - BONE
15	385311164 1/2" SEALING GROMMET
16	385230335 VACUUM BREAKER KIT w/HAND SPRAY 385316906 VACUUM BREAKER KIT **INCLUDES ITEM 15
17*	385319056 HAND SPRAY KIT w/VAC BREAKER - CHR **INCLUDES ITEM 15, 16, 18
18*	385310809 HAND SPRAYER - CHROME **INCLUDES MOUNTING BRACKET
19	385311128 500H BASE KIT - WHITE 385311129 500H BASE KIT - BONE **INCLUDES ITEM 3-13
20**	385345889 3" MPT FLOOR FLANGE 385345892 3" SOCKET FLOOR FLANGE 385343765 3" SPIGOT FLOOR FLANGE 385310961 45° SWIVEL FLOOR FLANGE* *MUST BE USED WITH SEAL INCLUDED IN KIT.

* ITEMS 17 & 18 ARE OPTIONAL ACCESSORIES;
NOT PROVIDED WITH EVERY MODEL.

** ITEM 20 IS SOLD SEPARATELY; NOT INCLUDED WITH THE TOILET.

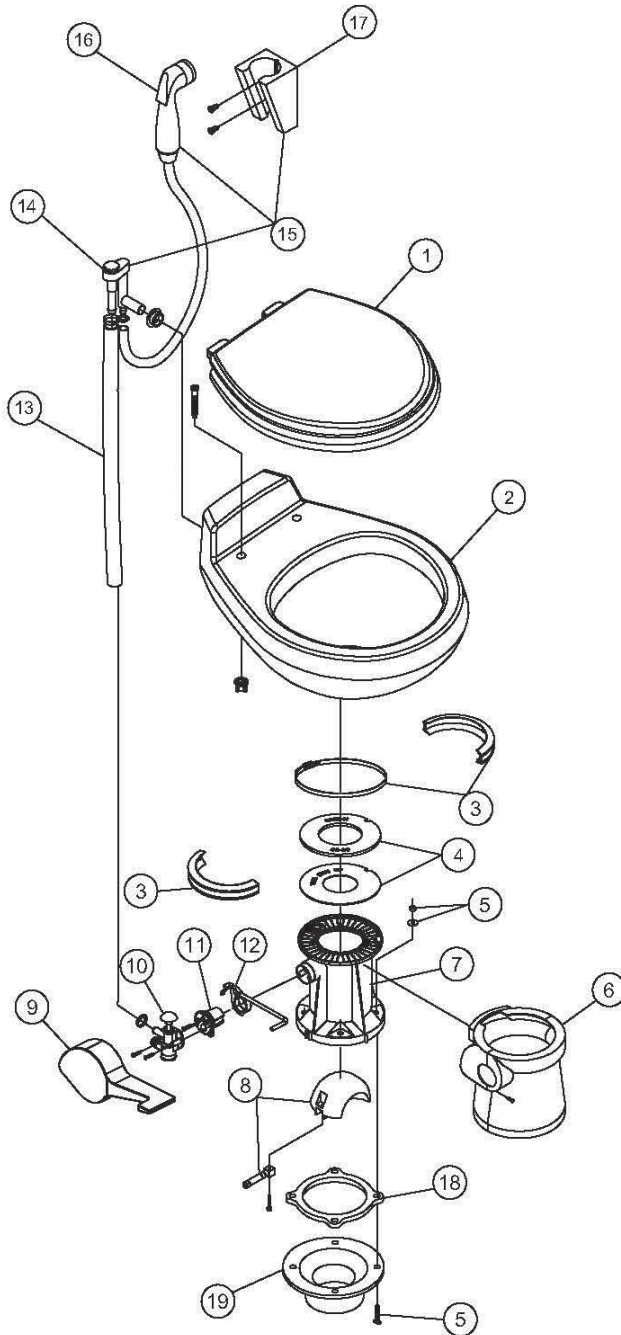
PARTS LIST: 511H SERIES



ITEM	PART NUMBER & DESCRIPTION
1	385343829 - SEAT/COVER - WHITE 385343831 - SEAT/COVER - BONE 385343901 - SEAT/COVER - EBONY **Includes Mounting Hardware.
2	385319056 - HAND SPRAY-CHROME (w/VACUUM BREAKER) 385319057 - HAND SPRAY-EBONY (w/VACUUM BREAKER) **Includes Items 3; 4; & 5.
3	385316906 - VACUUM BREAKER KIT; WITHOUT SPRAYER 385230335 - VACUUM BREAKER KIT; WITH SPRAYER **Includes Item #4.
4	385311164 - 1/2" SEALING GROMMET
5	385310809 - HAND SPRAYER-CHROME 385310873 - HAND SPRAYER-EBONY **Includes Mounting Bracket & Screws.
6	385345377 - BOWL WATER SUPPLY HOSE **Includes Hose Clamps.
7	385310739 - CHINA BOWL KIT - WHITE 385310740 - CHINA BOWL KIT - BONE 385310742 - CHINA BOWL KIT - EBONY
8	385310048 - BOWL/BASE CLAMP KIT
9	385311462 - FLUSH BALL SEAL REPLACEMENT KIT
10	385310108 - PEDESTAL COVER KIT - WHITE 385310109 - PEDESTAL COVER KIT - BONE 385310600 - PEDESTAL COVER KIT - EBONY
11	385310064 - FLOOR FLANGE MOUNTING HARDWARE
12	385311553 - PEDAL/LEVER & CARTRIDGE KIT **Includes Item 13.
13	385236096 - SPRING CARTRIDGE KIT
14	385314349 - WATER VALVE KIT **Includes Mounting Screws.
15	385311551 - PEDAL COVER - WHITE 385311552 - PEDAL COVER - BONE 385311555 - PEDAL COVER - EBONY
16	385318162 - FLUSH BALL, SHAFT, & CARTRIDGE KIT-WHT 385310177 - FLUSH BALL, SHAFT, & CARTRIDGE KIT-EBY ** Includes Item 11.
17	385310063 - FLOOR / BASE SEAL
18	385312004 - 511H/PS BASE KIT - WHITE 385312005 - 511H/PS BASE KIT - BONE 385312055 - 511H BASE KIT - EBONY **Includes Items 8-17.
19	**Below Floor Flange Kits Sold Separately. 385345889 - 3" MPT FLOOR FLANGE 385345892 - 3" SOCKET FLOOR FLANGE 385343765 - 3" SPIGOT FLOOR FLANGE 385310961 - 45° SWIVEL FLOOR FLANGE* *Must be used with included seal.

Dometic Corporation - Sanitation Systems
13128 State Rt. 226, P.O. Box 38
Big Prairie, OH 44611-0038 USA
Telephone: 330-439-5550
Fax: 330-496-3097
Email: sealand@dometicusa.com

PARTS LIST: 510+

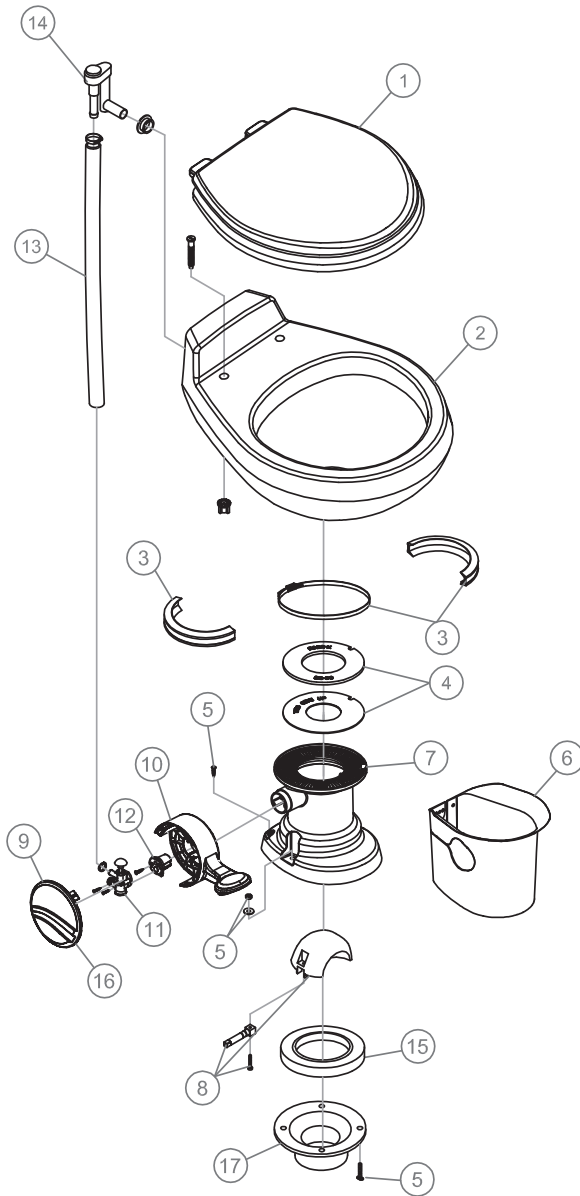


ITEM	PART NO.	DESCRIPTION
1	385343829	SEAT ASSEMBLY, WHITE
	385343831	SEAT ASSEMBLY, BONE
	385343897	SEAT ASSEMBLY, PLATINUM
	385343901	SEAT ASSEMBLY, EBONY
	385343899	SEAT ASSEMBLY, TEAL
2	385310739	CHINA BOWL KIT, WHITE
	385310740	CHINA BOWL KIT, BONE
	385310741	CHINA BOWL KIT, PLATINUM
	385310742	CHINA BOWL KIT, EBONY
	385310743	CHINA BOWL KIT, TEAL
3	385310025	BAND AND HALF CLAMP, KIT WHITE
	385310048	BAND AND HALF CLAMP, KIT BONE
4	385311462	SEAL REPLACEMENT , KIT
5	385310064	MOUNTING HARDWARE
6	385310111	PEDESTAL COVER KIT , WHITE
	385310112	PEDESTAL COVER KIT , BONE
	385310113	PEDESTAL COVER KIT , PLATINUM
	385310173	PEDESTAL COVER KIT , EBONY
	385310203	PEDESTAL COVER KIT , TEAL
7	385310120	BASE KIT, WHITE (inc items 3-12)
	385310121	BASE KIT, BONE (inc items 3-12)
	385310122	BASE KIT, PLATINUM (inc items 3-12)
	385310169	BASE KIT, EBONY (inc items 3-12)
	385310198	BASE KIT, TEAL (inc items 3-12)
8	385318162	KIT,BALL,SHAFT & CART, WHITE(inc. item 11)
	385310177	KIT,BALL,SHAFT & CART, EBONY(inc. item 11)
	385310188	KIT,BALL,SHAFT & CART, TEAL(inc. item 11)
9	385310114	PEDAL COVER, WHITE
	385310115	PEDAL COVER, BONE
	385310116	PEDAL COVER, PLATINUM
	385310175	PEDAL COVER, EBONY
	385310193	PEDAL COVER, TEAL
10	385314349	WATER VALVE, KIT
11	385236096	SPRING CARTRIDGE, KIT
12	385310578	PEDAL, CARTRIDGE, KIT (inc. item 11)
13	385340177	HOSE, SUPPLY - BONE, EBONY, PLAT ,TEAL
	385345377	HOSE, SUPPLY - WHITE
14	385316906	VACUUM BREAKER, KIT - WITHOUT SPRAY
	385230335	VACUUM BREAKER, KIT - WITH SPRAY
15	385319054	VACUUM BREAKER, COMPLETE - WHITE
	385319056	VACUUM BREAKER, COMPLETE - CHROME
	385319057	VACUUM BREAKER, COMPLETE - EBONY
16	385310809	HAND SPRAY, CHROME
	385310873	HAND SPRAY, EBONY
17	385311131	BRACKET,HAND SPRAY-CHROME
	385311125	BRACKET,HAND SPRAY-EBONY
18	385310063	FLOOR FLANGE, KIT (inc item 5)
	385345889	FLOOR FLANGE, 3" MPT
	385345892	FLOOR FLANGE, 3" SOCKET
	385343765	FLOOR FLANGE, 3" SPIGOT
19	385310961	FLOOR FLANGE ADAPTER, 45° SWIVEL (MUST BE USED WITH SEAL,INC.)

(ITEM 19 SOLD SEPARATELY)

Dometic Corporation - Sanitation Systems
13128 State Rt. 226, P.O. Box 38
Big Prairie, OH 44611-0038 USA
Telephone: 330-496-3211
Fax: 330-496-3097
Email: sealand@dometicusa.com

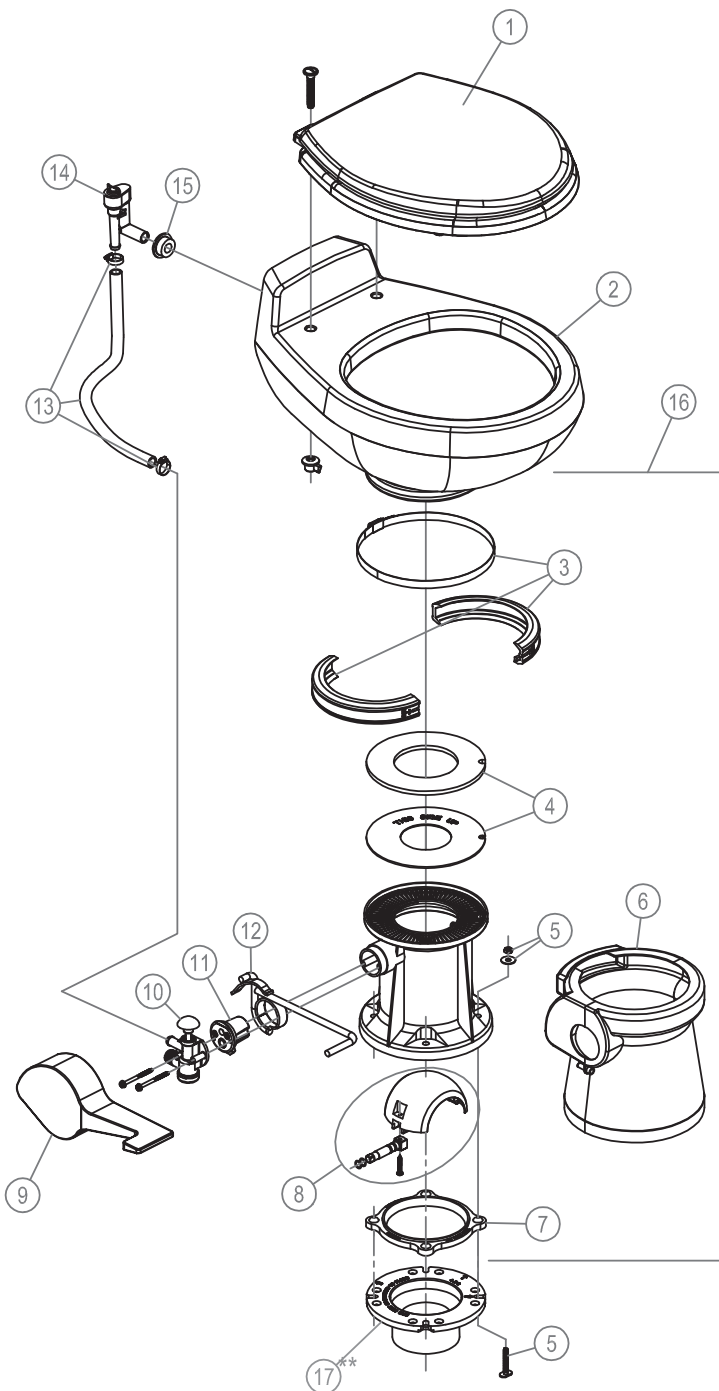
PARTS LIST: 510H PS



ITEM	PART NO.	DESCRIPTION
1	385343829	KIT, SEAT-CV'R 500+ - WHITE
	385343831	KIT, SEAT-CV'R 500+ - BONE
2	385310739	KIT,BOWL - 500+ WHITE
	385310740	KIT,BOWL - 500+ BONE
3	385310025	KIT, HALF CLAMP-WHITE
	385310048	KIT, HALF CLAMP-BONE
4	385311462	KIT, REPLACEMENT SEAL
5	385311117	KIT, MOUNTING HARDWARE-210
6	385311540	KIT, PEDESTAL COVER-500H/WHT
	385311541	KIT, PEDESTAL COVER-500H/BONE
7	385311128	KIT, BASE 210-WHITE (INC 3-5,7-12,15)
	385311129	KIT, BASE 210-BONE (INC 3-5,7-12,15)
8	385310954	KIT, BALL/BRASS SHAFT/P CART (INC. 12)
9	385311119	KIT, PR PEDAL & COVER-WHT (INC.10)
	385311120	KIT, PR PEDAL & COVER-BONE (INC.10)
10	385311121	KIT, PR PEDAL & CART-WHT (INC 9 & 12)
	385311122	KIT, PR PEDAL & CART-BONE (INC 9 & 12)
11	385314349	KIT, WATER VALVE
12	385310683	KIT, SPRING CARTRIDGE-ECOVAC
13	385340177	KIT, SUPPLY HOSE-BONE
	385345377	KIT, SUPPLY HOSE-WHITE
14	385316906	KIT, VACUUM BREAKER
15	385311267	KIT, FLOOR FLANGE SEAL-5059
16	385311179	KIT, PEDAL CV'R REPL 210 WHT
	385311180	KIT, PEDAL CV'R REPL 210 BONE
(ITEM 17 SOLD SEPARATELY)		
17	385345889	FLOOR FLANGE, 3" MPT
	385345892	FLOOR FLANGE, 3" SOCKET
	385343765	FLOOR FLANGE, 3" SPIGOT
	385310961	FLOOR FLANGE ADAPTER, 45° SWIVEL (MUST BE USED WITH SEAL INC.)

Dometic Corporation - Sanitation Systems
 13128 State Rt. 226, P.O. Box 38
 Big Prairie, OH 44611-0038 USA
 Telephone: 330-496-3211
 Fax: 330-496-3097
 Email: sealand@dometicusa.com

PARTS LIST: 510 PS MODEL SERIES

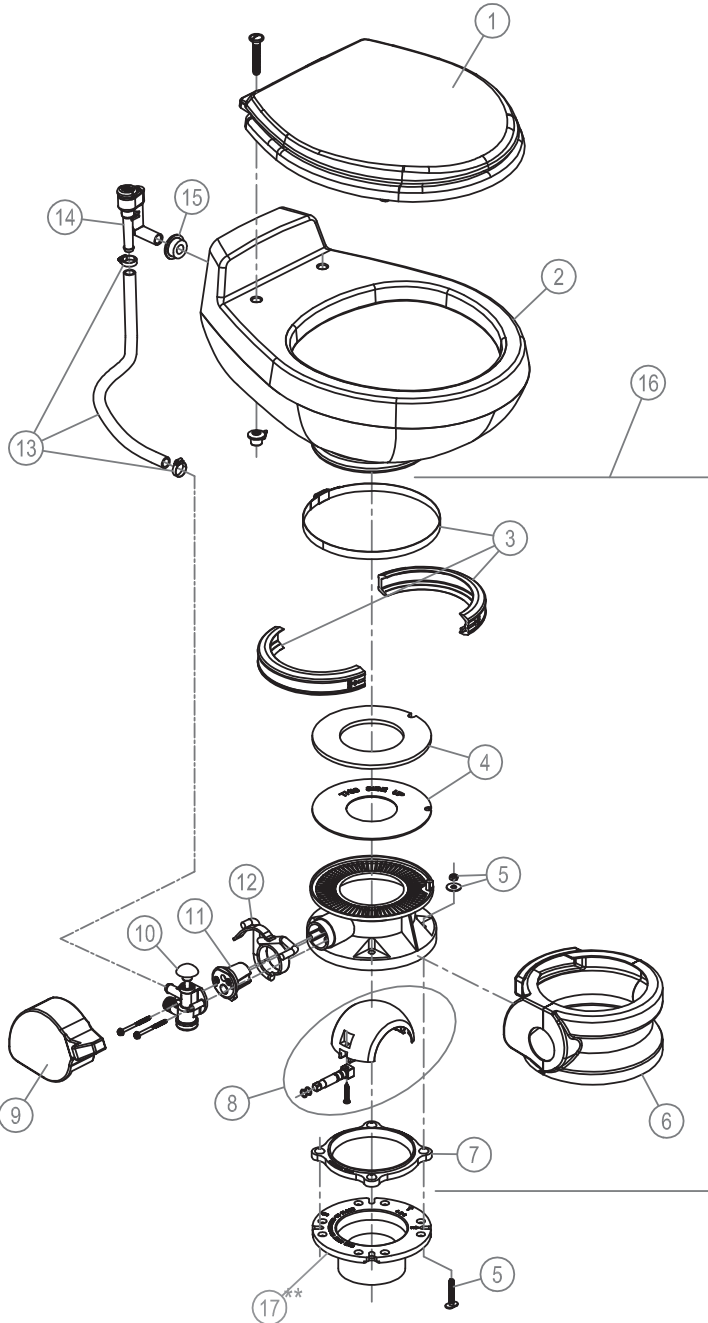


ITEM	PART NUMBER & DESCRIPTION
1	385343829 SEAT/COVER - WHITE
	385343831 SEAT/COVER - BONE
	385343901 SEAT/COVER - EBONY
2	385310739 CHINA BOWL - WHITE
	385310740 CHINA BOWL - BONE
	385310742 CHINA BOWL - EBONY
3	385310048 BOWL/BASE CLAMP KIT
4	385311462 FLUSH BALL SEAL REPL KIT
5	385310064 MOUNTING HARDWARE
6	385310111 PEDESTAL COVER - WHITE
	385310112 PEDESTAL COVER - BONE
	385310173 PEDESTAL COVER - EBONY
7	385310063 FLOOR FLANGE SEAL **INCLUDES ITEM 5.
8	385318162 FLUSH BALL, SHAFT, CARTRIDGE KIT-WHT
	385310177 FLUSH BALL, SHAFT, CARTRIDGE KIT-EBY **INCLUDES ITEM 11.
9	385310114 PEDAL COVER - WHITE
	385310115 PEDAL COVER - BONE
	385310175 PEDAL COVER - EBONY
10	385314349 WATER VALVE KIT
11	385236096 SPRING CARTRIDGE KIT
12	385310578 PEDAL/LEVER & CARTRIDGE KIT **INCLUDES ITEM 11.
13	385340177 BOWL WATER SUPPLY HOSE - WHITE
	385345377 BOWL WATER SUPPLY HOSE - BONE
14	385316906 VACUUM BREAKER KIT **INCLUDES ITEM 15.
15	385311164 1/2" SEALING GROMMET KIT
16	385312000 510PS BASE KIT - WHITE
	385312001 510PS BASE KIT - BONE
	385312003 510PS BASE KIT - EBONY **INCLUDES ITEMS 3-12.
17**	385345889 3" MPT FLOOR FLANGE
	385345892 3" SOCKET FLOOR FLANGE
	385343765 3" SPIGOT FLOOR FLANGE
	385310961 45° SWIVEL FLOOR FLANGE* *MUST BE USED WITH SEAL INCLUDED IN KIT.

** ITEM 17 IS SOLD SEPARATELY; NOT INCLUDED WITH THE TOILET.

Dometic Corporation - Sanitation Systems
13128 State Rt. 226, P.O. Box 38
Big Prairie, OH 44611-0038 USA
Telephone: 330-496-3211
Fax: 330-496-3097
Email: sealand@dometicusa.com

PARTS LIST: 511 PS MODEL SERIES



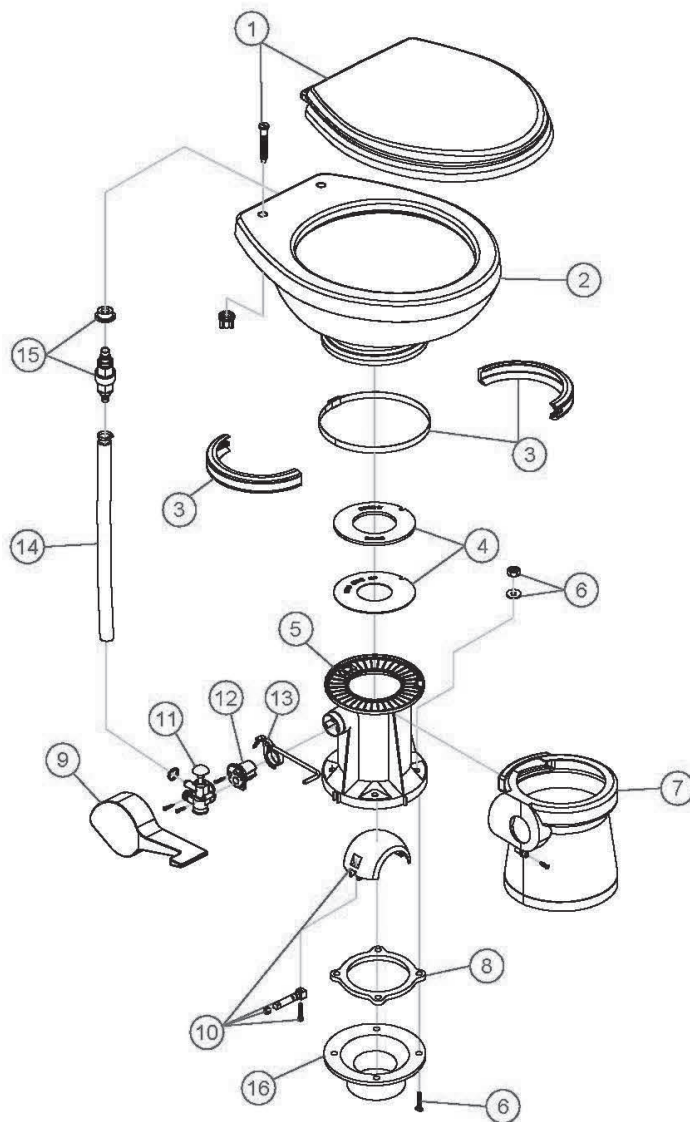
ITEM	PART NUMBER & DESCRIPTION
1	385343829 SEAT/COVER - WHITE
	385343831 SEAT/COVER - BONE
2	385310739 CHINA BOWL - WHITE
	385310740 CHINA BOWL - BONE
3	385310048 BOWL/BASE CLAMP KIT
4	385311462 FLUSH BALL SEAL REPL KIT
5	385310064 MOUNTING HARDWARE
6	385310108 PEDESTAL COVER - WHITE
	385310109 PEDESTAL COVER - BONE
7	385310063 FLOOR FLANGE SEAL **INCLUDES ITEM 5.
8	385318162 FLUSH BALL, SHAFT, CARTRIDGE KIT **INCLUDES ITEM 11.
9	385311551 PEDAL COVER - WHITE
	385311552 PEDAL COVER - BONE
10	385314349 WATER VALVE KIT
11	385236096 SPRING CARTRIDGE KIT
12	385311553 PEDAL/LEVER & CARTRIDGE KIT **INCLUDES ITEM 11.
13	385340177 BOWL WATER SUPPLY HOSE - WHITE
	385345377 BOWL WATER SUPPLY HOSE - BONE
14	385316906 VACUUM BREAKER KIT **INCLUDES ITEM 15.
15	385311164 1/2" SEALING GROMMET KIT
16	385312004 511PS BASE KIT - WHITE
	385312005 511PS BASE KIT - BONE **INCLUDES ITEMS 3-12.
17**	385345889 3" MPT FLOOR FLANGE
	385345892 3" SOCKET FLOOR FLANGE
	385343765 3" SPIGOT FLOOR FLANGE
	385310961 45° SWIVEL FLOOR FLANGE* *MUST BE USED WITH SEAL INCLUDED IN KIT.

** ITEM 17 IS SOLD SEPARATELY; NOT INCLUDED WITH THE TOILET.

PARTS LIST: GRAVITY 5010-WHITE

ITEM	PART NO.	DESCRIPTION	ITEM	PART NO.	DESCRIPTION
1	385343829	KIT, SEAT-CV'R 500+ - WHITE	10	385318162	KIT, BALL/SHAFT/CART-WHITE (INC 12)
2	385311079	KIT, BOWL 5000 SER-WHITE	11	385314349	KIT, WATER VALVE
3	385310048	KIT, HALF CLAMP-BONE	12	385236096	KIT, SPRING CARTRIDGE
4	385311462	KIT, BASE SEAL REPLACEMENT	13	385310578	KIT, LEVER/CART-TALL BASE (INC 12)
5	385310120	KIT, 510/910/2010 BASE-WHITE (INC 3-13)	14	385345377	SUPPLY HOSE, WHITE
6	385310064	KIT, MOUNT-TRAVELER-506/806	15	385311456	KIT, CHECK VALVE
7	385310111	KIT, TALL BASE COVER-WHITE	16	385345889	3" MPT FLOOR FLANGE
8	385310063	KIT, FLOOR FLANGE SEAL		385345892	3" SOCKET FLOOR FLANGE
9	385311110	KIT, TALL PEDAL COVER WHT		385343765	3" SPIGOT FLOOR FLANGE
				385310961	KIT,TL FL'G SEAL/45°SW'L FL'G (MUST BE USED WITH SEAL INC.)

(ITEM 16 SOLD SEPARATELY)

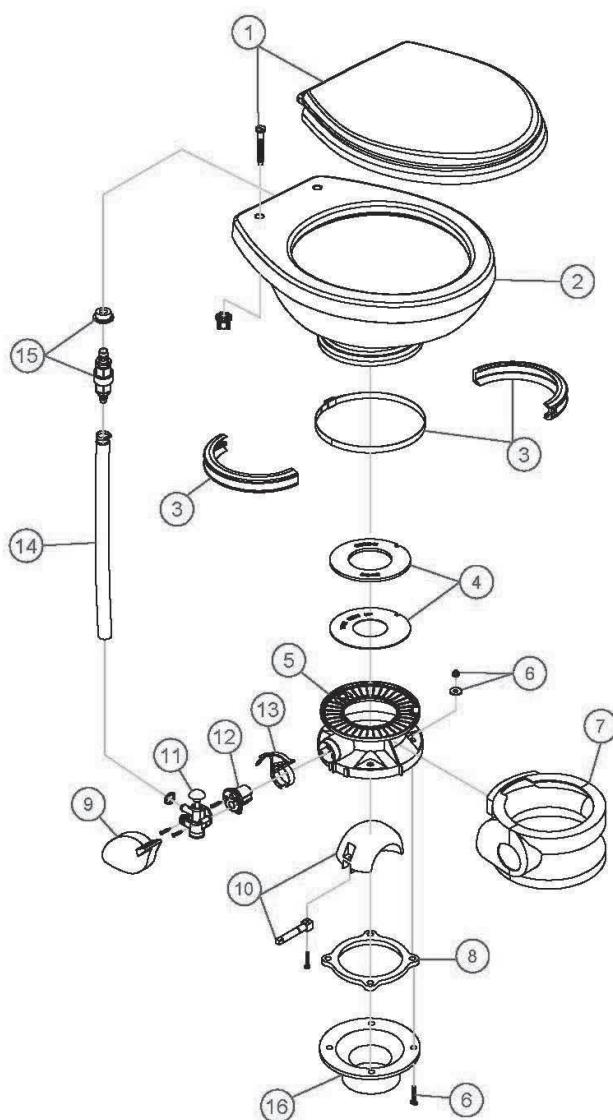


Dometic Corporation - Sanitation Systems
13128 State Rt. 226, P.O. Box 38
Big Prairie, OH 44611-0038 USA
Telephone: 330-496-3211
Fax: 330-496-3097
Email: sealand@dometicusa.com

PARTS LIST: GRAVITY 5011-WHITE

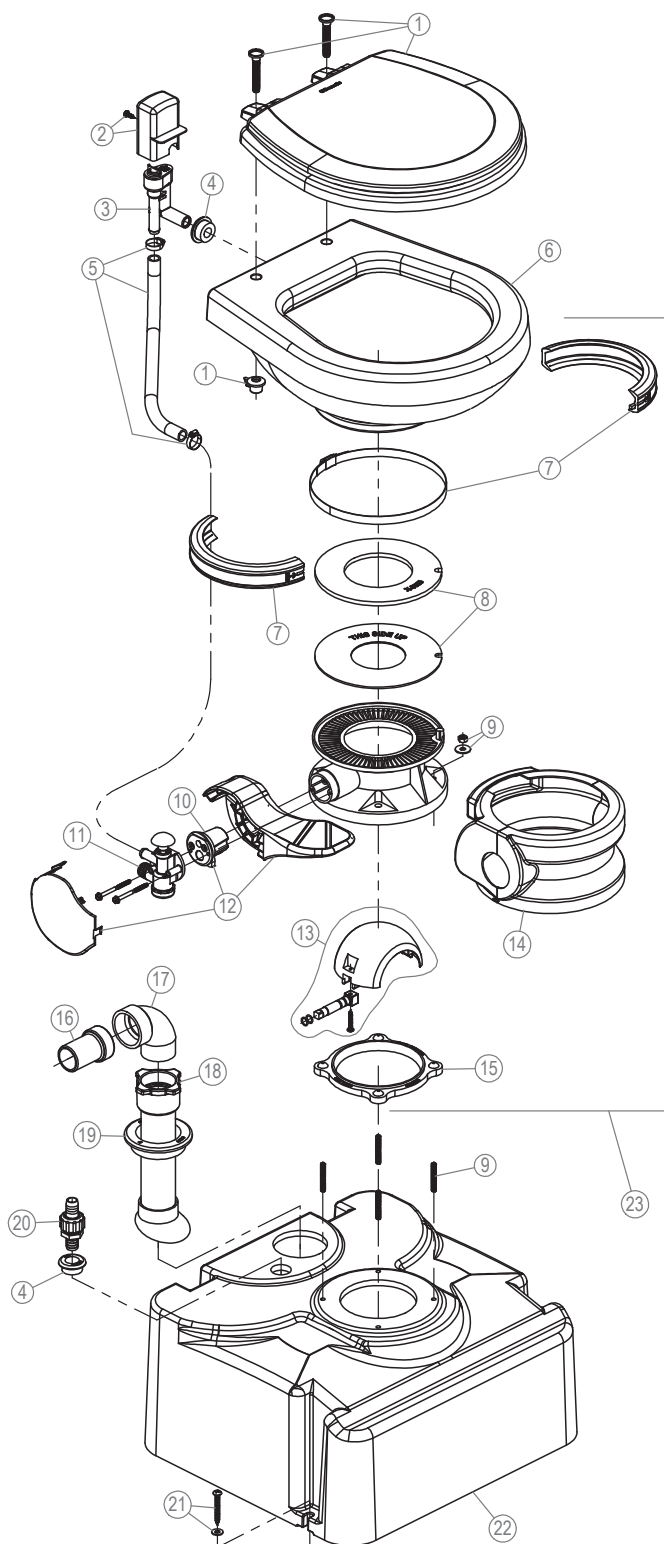
ITEM	PART NO.	DESCRIPTION	ITEM	PART NO.	DESCRIPTION
1	385343829	KIT, SEAT-CV'R 500+ - WHITE	10	385318162	KIT, BALL/SHAFT/CART-WHITE (INC 12)
2	385311079	KIT, BOWL 5000 SER-WHITE	11	385314349	KIT, WATER VALVE
3	385310048	KIT, HALF CLAMP-BONE	12	385236096	KIT, SPRING CARTRIDGE
4	385311462	KIT, BASE SEAL REPLACEMENT	13	385310578	KIT, LEVER/CART-TALL BASE (INC 12)
5	385310123	KIT, 511/911/2011 BASE-WHITE (INC 3-13)	14	385345377	SUPPLY HOSE, WHITE
6	385310064	KIT, MOUNT-TRAVELER-506/806	15	385311456	KIT, CHECK VALVE
7	385310111	KIT, SHORT BASE COVER-WHITE	16	385345889	3" MPT FLOOR FLANGE
8	385310063	KIT, FLOOR FLANGE SEAL		385345892	3" SOCKET FLOOR FLANGE
9	385310117	KIT, SHORT PEDAL COVER-WHT		385343765	3" SPIGOT FLOOR FLANGE
				385310961	KIT, TL FL'G SEAL/45°SWL FL'G (MUST BE USED WITH SEAL INC.)

(ITEM 16 SOLD SEPARATELY)



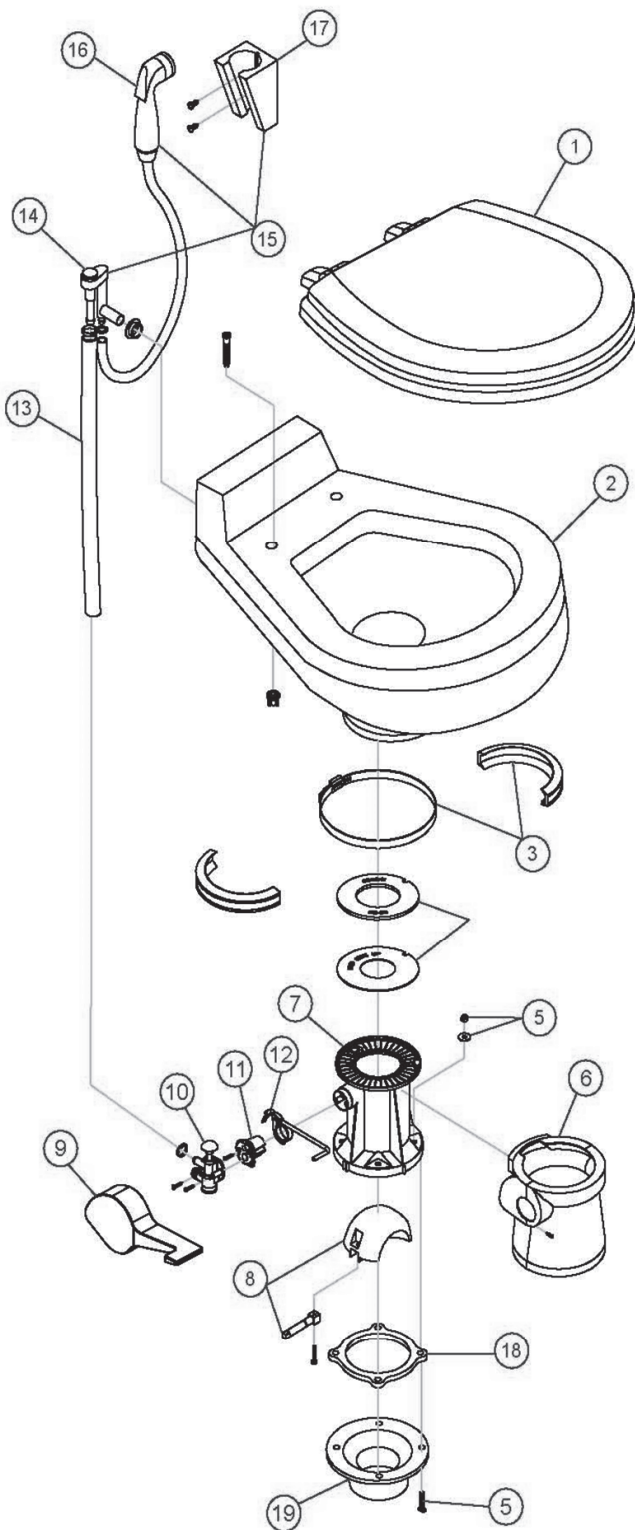
Dometic Corporation - Sanitation Systems
13128 State Rt. 226, P.O. Box 38
Big Prairie, OH 44611-0038 USA
Telephone: 330-496-3211
Fax: 330-496-3097
Email: sealand@dometicusa.com

PARTS LIST: 711-M28 MODEL



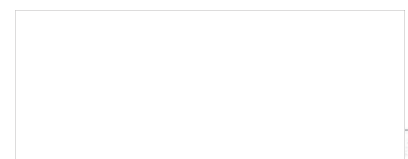
ITEM	PART NUMBER & DESCRIPTION
1	385344436 - SEAT/COVER - WHITE 385344437 - SEAT/COVER - BONE **Includes Mounting Hardware.
2	385310696 - VACUUM BREAKER COVER - WHITE 385310782 - VACUUM BREAKER COVER - BONE **Includes Mounting Hardware.
3	385316906 - VACUUM BREAKER KIT **Includes Item #4.
4	385311164 - 1/2" SEALING GROMMET
5	385345377 - BOWL WATER SUPPLY HOSE **Includes Hose Clamps.
6	385310676 - BOWL KIT - WHITE 385310781 - BOWL KIT - BONE
7	385310025 - BOWL/BASE CLAMP KIT - WHITE 385310048 - BOWL/BASE CLAMP KIT - BONE
8	385311462 - FLUSH BALL SEAL REPLACEMENT KIT
9	385310534 - MOUNTING HARDWARE KIT - M28
10	385310683 - SPRING CARTRIDGE KIT
11	385314349 - WATER VALVE KIT **Includes Mounting Screws.
12	385310682 - FLUSH PEDAL KIT - WHITE 385310762 - FLUSH PEDAL KIT - BONE **Includes Item 10.
13	385310681 - FLUSH BALL, SHAFT & CARTRIDGE KIT **Includes Item 10.
14	385310108 - PEDESTAL COVER KIT - WHITE 385310109 - PEDESTAL COVER KIT - BONE
15	385310063 - FLOOR / BASE SEAL
16	385341513 - 1-1/2" HOSE ADAPTER FITTING
17	385311886 - 1-1/2" QUARTER-BEND STREET ELBOW
18	385310532 - M28 TANK DISCHARGE DIPTUBE KIT **Includes Item 19.
19	385311110 - 2" SEALING GROMMET
20	385314362 - M28 TANK VENT FITTING ASSY **Includes Item 4.
21	385310533 - M28 TANK MOUNTING HARDWARE
22	385311287 - M28 TANK ASSEMBLY - WHITE 385310085 - M28 TANK ASSEMBLY - BONE **Includes Items 4; 15-21.
23	385311286 - 711 BASE KIT - WHITE 385310891 - 711 BASE KIT - BONE **Includes Items 7-15.

PARTS LIST: 2010



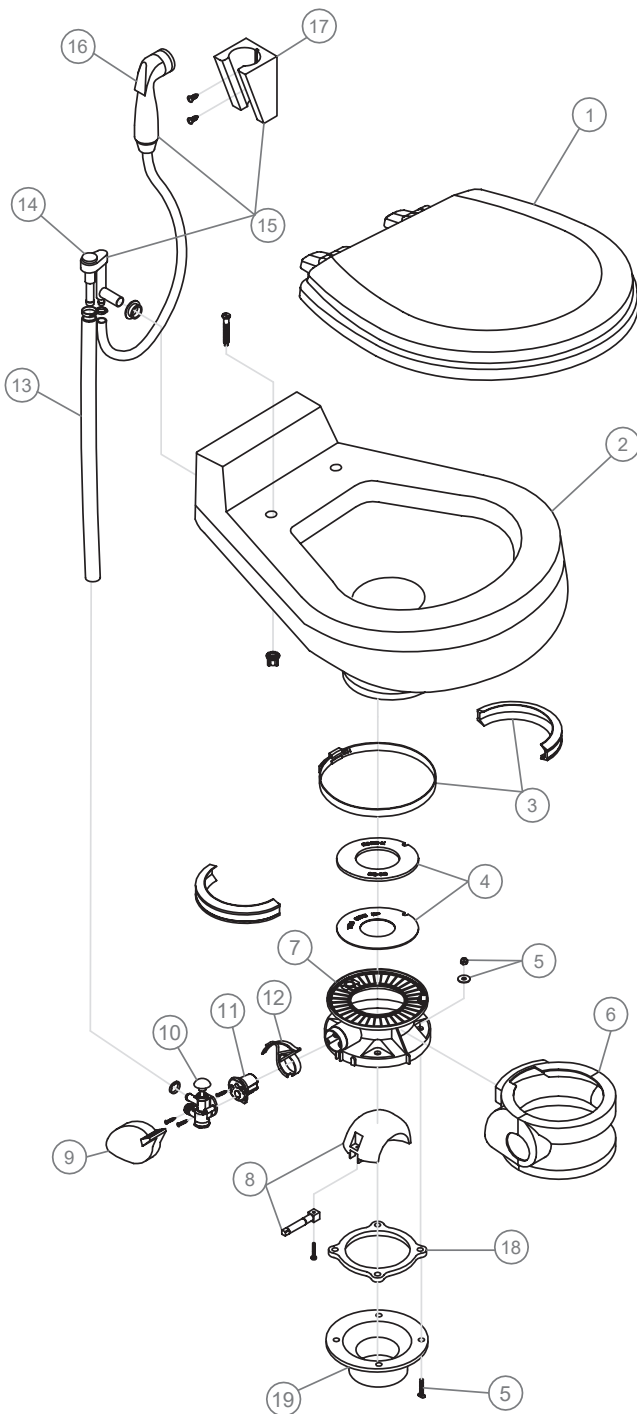
ITEM	PART NO.	DESCRIPTION
1	385344436	SEAT ASSEMBLY, WHITE
	385344437	SEAT ASSEMBLY, BONE
	385344438	SEAT ASSEMBLY, EBONY
2	385310615	CHINA BOWL KIT, WHITE
	385310616	CHINA BOWL KIT, BONE
	385310585	CHINA BOWL KIT, EBONY
3	385310048	BAND & HALF CLAMP KIT BONE
	385310025	BAND & HALF CLAMP KIT WHITE
4	385311462	SEAL REPLACEMENT KIT
5	385310064	MOUNTING HARDWARE
6	385310111	PEDESTAL COVER KIT - WHITE
	385310112	PEDESTAL COVER KIT - BONE
	385310173	PEDESTAL COVER KIT - EBONY
7	385310120	BASE KIT- WHITE (inc items 3-12)
	385310121	BASE KIT- BONE (inc items 3-12)
	385310169	BASE KIT- EBONY (inc items 3-12)
8	385318162	KIT,BALL,SHAFT & CART- WHITE(inc. item 11)
	385310177	KIT,BALL,SHAFT & CART- EBONY(inc. item 11)
9	385310114	PEDAL COVER - WHITE
	385310115	PEDAL COVER - BONE
	385310175	PEDAL COVER - EBONY
10	385314349	WATER VALVE - KIT
11	385236096	SPRING CARTRIDGE - KIT
12	385310578	PEDAL, CARTRIDGE, KIT (inc. item 11)
13	385340177	HOSE, SUPPLY - BONE & EBONY.
	385345377	HOSE, SUPPLY - WHITE
14	385316906	VACUUM BREAKER, KIT - USED WITHOUT SPRAY
	385230335	VACUUM BREAKER, KIT - USED WITH SPRAY
15	385319056	VACUUM BREAKER, COMPLETE - CHROME
	385319057	VACUUM BREAKER, COMPLETE - EBONY
16	385310873	HAND SPRAY - EBONY.
	385310809	HAND SPRAY - CHROME
17	385311131	BRACKET,HAND SPRAY-CHROME
	385311125	BRACKET,HAND SPRAY-EBONY
18	385310063	FLOOR FLANGE, (inc item 5)
19	385345889	FLOOR FLANGE, 3" MPT
	385345892	FLOOR FLANGE, 3" SOCKET
	385343765	FLOOR FLANGE, 3" SPIGOT
	385310961	FLOOR FLANGE ADAPTER, 45° SWIVEL (MUST BE USED WITH SEAL INC.)

(ITEM 19 SOLD SEPARATELY)



Dometic Corporation - Sanitation Systems
13128 State Rt. 226, P.O. Box 38
Big Prairie, OH 44611-0038 USA
Telephone: 330-496-3211
Fax: 330-496-3097
Email: sealand@dometicusa.com

PARTS LIST: 2011



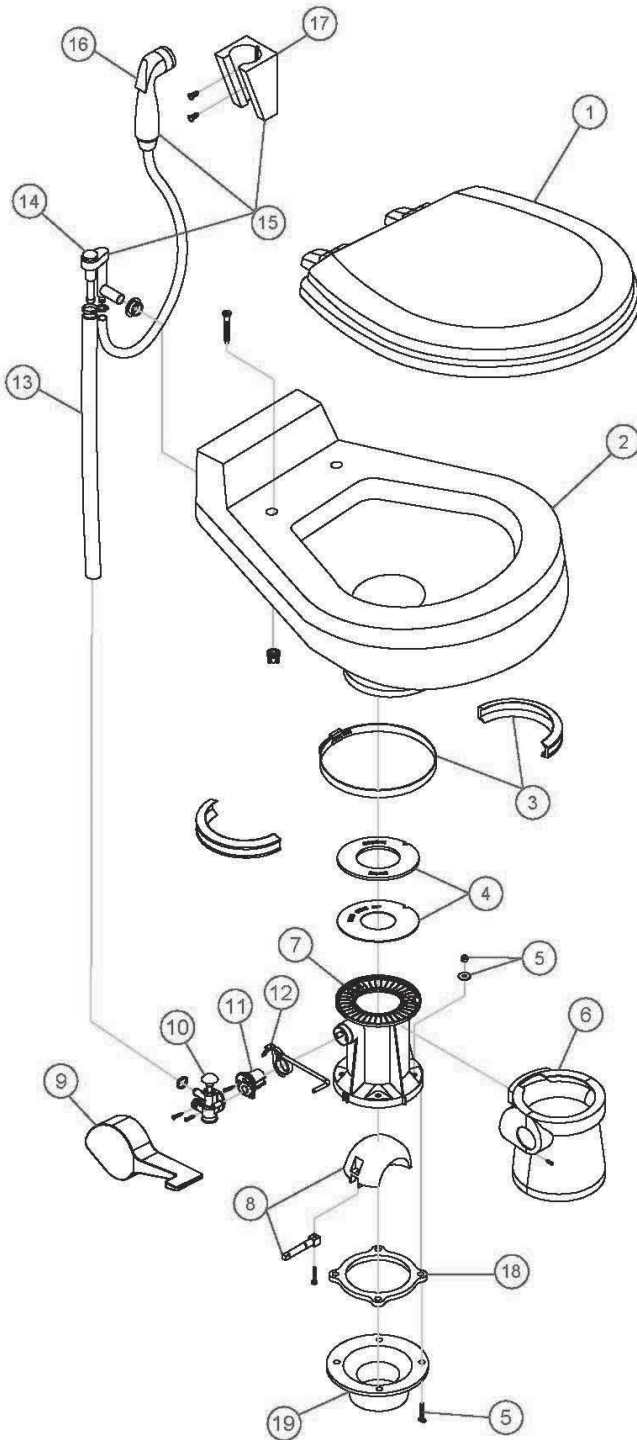
ITEM	PART NO.	DESCRIPTION
1	385344436	SEAT ASSEMBLY, WHITE
	385344437	SEAT ASSEMBLY, BONE
	385344438	SEAT ASSEMBLY, EBONY
2	385310615	CHINA BOWL KIT, WHITE
	385310616	CHINA BOWL KIT, BONE
	385310585	CHINA BOWL KIT, EBONY
3	385310048	BAND AND HALF CLAMP, KIT BONE
	385310025	BAND AND HALF CLAMP, KIT WHITE
4	385311462	SEAL REPLACEMENT , KIT
5	385310064	MOUNTING HARDWARE
6	385310108	PEDESTAL COVER KIT , WHITE
	385310109	PEDESTAL COVER KIT , BONE
	385310600	PEDESTAL COVER KIT , EBONY
7	385310123	BASE KIT, WHITE (inc items 3-12)
	385310124	BASE KIT, BONE (inc items 3-12)
	385310588	BASE KIT, EBONY (inc items 3-12)
8	385318162	KIT,BALL,SHAFT & CART, WHITE(inc. item 11)
	385310177	KIT,BALL,SHAFT & CART, EBONY(inc. item 11)
9	385310117	PEDAL COVER, WHITE
	385310118	PEDAL COVER, BONE
	385310593	PEDAL COVER, EBONY
10	385314349	WATER VALVE, KIT
11	385236096	SPRING CARTRIDGE, KIT
12	385310579	PEDAL, CARTRIDGE, KIT (inc. item 11)
13	385340177	HOSE, SUPPLY - BONE & EBONY.
	385345377	HOSE, SUPPLY - WHITE
14	385316906	VACUUM BREAKER, KIT - WITHOUT SPRAY
	385230335	VACUUM BREAKER, KIT - WITH SPRAY
15	385319056	VACUUM BREAKER, SPRAY & BRACKET, KIT
16	385310809	HAND SPRAY, CHROME
	385310873	HAND SPRAY, EBONY.
17	385311131	BRACKET,HAND SPRAY-CHROME
	385311125	BRACKET,HAND SPRAY-EBONY
18	385310063	FLOOR FLANGE, KIT (inc item 5)
19	385345889	FLOOR FLANGE, 3" MPT
	385345892	FLOOR FLANGE, 3" SOCKET
	385343765	FLOOR FLANGE, 3" SPIGOT
	385310961	FLOOR FLANGE ADAPTER, 45° SWIVEL <small>*MUST BE USED WITH SEAL PROVIDED.</small>

(ITEM 19 SOLD SEPARATELY)



Dometic Corporation - Sanitation Systems
13128 State Rt. 226, P.O. Box 38
Big Prairie, OH 44611-0038 USA
Telephone: 330-496-3211
Fax: 330-496-3097
Email: sealand@dometicus.com

PARTS LIST: 910

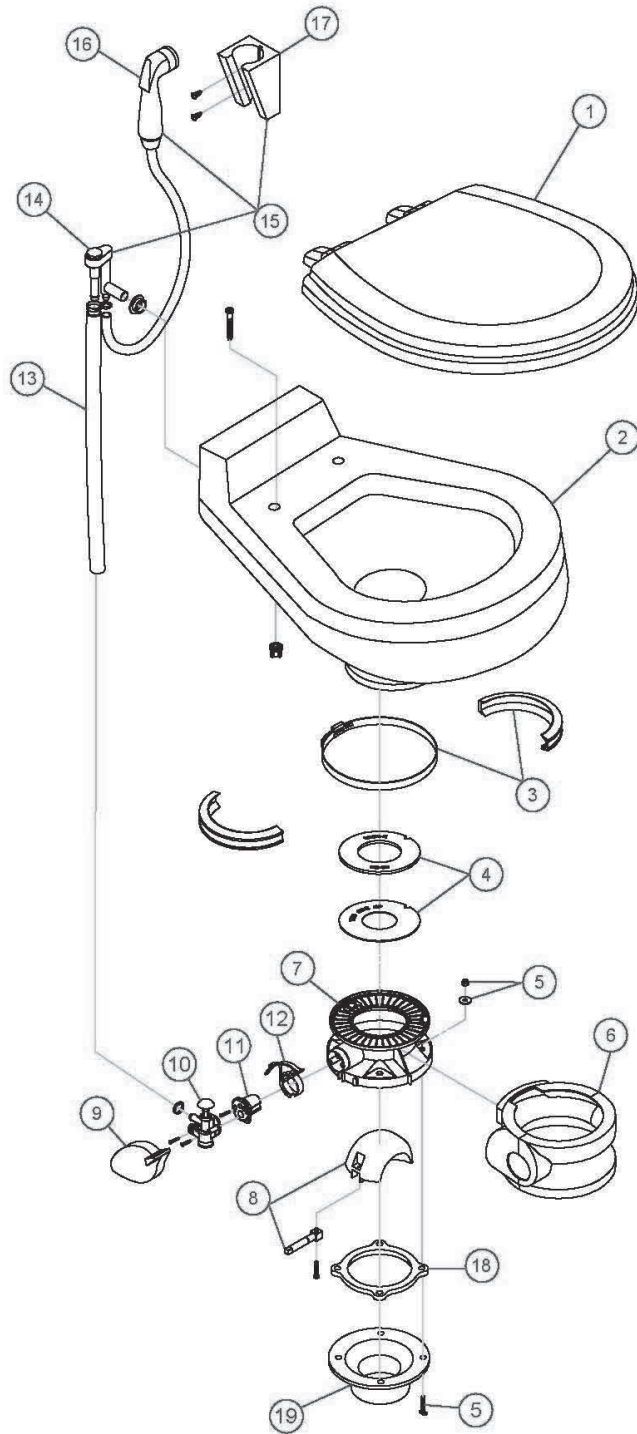


ITEM	PART NO.	DESCRIPTION
1	385344436	SEAT ASSEMBLY, WHITE
	385344437	SEAT ASSEMBLY, BONE
2	385310032	CHINA BOWL KIT, WHITE
	385310033	CHINA BOWL KIT, BONE
3	385310048	BAND & HALF CLAMP KIT - BONE
	385310025	BAND & HALF CLAMP KIT - WHITE
4	385311462	SEAL REPLACEMENT KIT
5	385310064	MOUNTING HARDWARE
6	385310111	PEDESTAL COVER KIT - WHITE
	385310112	PEDESTAL COVER KIT - BONE
7	385310120	BASE KIT - WHITE (inc items 3-12)
	385310121	BASE KIT - BONE (inc items 3-12)
8	385318162	KIT, BALL SHAFT & CART - WHITE (inc. item 11)
9	385310114	PEDAL COVER - WHITE
	385310115	PEDAL COVER - BONE
10	385314349	WATER VALVE - KIT
11	385236096	SPRING CARTRIDGE - KIT
12	385310578	PEDAL, CARTRIDGE, KIT (inc. item 11)
13	385340177	HOSE, SUPPLY - BONE
	385345377	HOSE, SUPPLY - WHITE
14	385316906	VACUUM BREAKER, KIT - USED WITHOUT SPRAY
	385230335	VACUUM BREAKER, KIT - USED WITH SPRAY
15	385319056	VACUUM BREAKER, SPRAY & BRACKET, KIT
16	385310809	HAND SPRAY - WHITE & BONE
	385311131	BRACKET, HAND SPRAY - WHITE & BONE
18	385310063	FLOOR FLANGE, (inc item 5)
	385345889	FLOOR FLANGE, 3" MPT
	385345892	FLOOR FLANGE, 3" SOCKET
19	385343765	FLOOR FLANGE, 3" SPIGOT
	385344653	FLOOR FLANGE ADAPTER, 45° SWIVEL. *MUST BE USED WITH SEAL PROVIDED.

(ITEM 19 SOLD SEPARATELY)

Dometic Corporation - Sanitation Systems
13128 State Rt. 226, P.O. Box 38
Big Prairie, OH 44611-0038 USA
Telephone: 330-496-3211
Fax: 330-496-3097
Email: sealand@dometicusa.com

PARTS LIST: 911

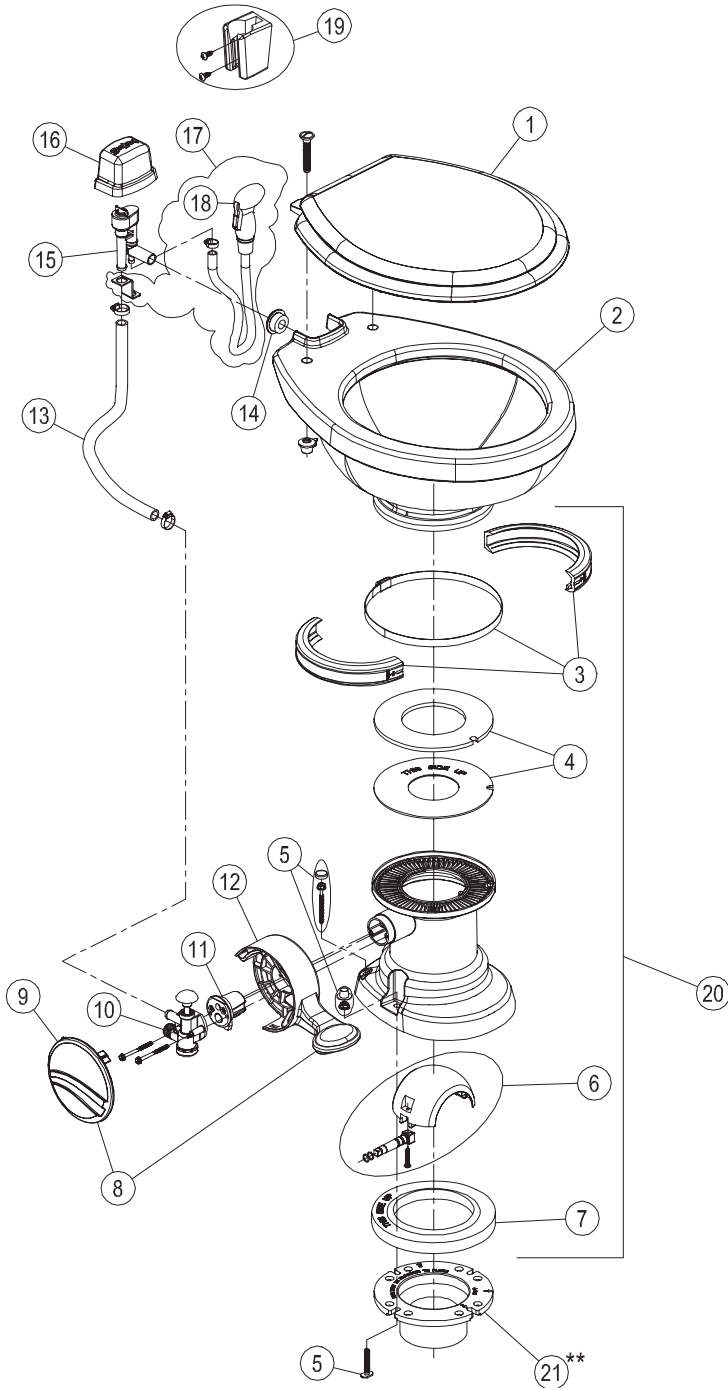


ITEM	PART NO.	DESCRIPTION
1	385344436	SEAT ASSEMBLY, WHITE
	385344437	SEAT ASSEMBLY, BONE
2	385310032	CHINA BOWL KIT, WHITE
	385310033	CHINA BOWL KIT, BONE
3	385310048	BAND & HALF CLAMP KIT - BONE
	385310025	BAND & HALF CLAMP KIT - WHITE
4	385311462	SEAL REPLACEMENT KIT
5	385310064	MOUNTING HARDWARE
6	385310108	PEDESTAL COVER KIT - WHITE
	385310109	PEDESTAL COVER KIT - BONE
7	385310123	BASE KIT-WHITE (inc items 3-12)
	385310124	BASE KIT-BONE (inc items 3-12)
8	385318162	KIT,BALL,SHAFT & CART-(inc. item 11)
9	385310117	PEDAL COVER - WHITE
	385310118	PEDAL COVER - BONE
10	385314349	WATER VALVE - KIT
11	385236096	SPRING CARTRIDGE - KIT
12	385310579	PEDAL, CARTRIDGE, KIT (inc. item 11)
13	385340177	HOSE, SUPPLY - BONE
	385345377	HOSE, SUPPLY - WHITE
14	385316906	VACUUM BREAKER, KIT - USED WITHOUT SPRAY
	385230335	VACUUM BREAKER, KIT - USED WITH SPRAY
15	385319056	VACUUM BREAKER, SPRAY & BRACKET, KIT
16	385310809	HAND SPRAY - WHITE & BONE
17	385311131	BRACKET,HAND SPRAY-WHITE & BONE
19	385310063	FLOOR FLANGE, (inc item 5)
	385345889	FLOOR FLANGE, 3" MPT
	385345892	FLOOR FLANGE, 3" SOCKET
	385343765	FLOOR FLANGE, 3" SPIGOT
	385344653	FLOOR FLANGE ADAPTER, 45° SWIVEL *MUST BE USED WITH SEAL PROVIDED.

(ITEM 19 SOLD SEPARATELY)

Dometic Corporation - Sanitation Systems
13128 State Rt. 226, P.O. Box 38
Big Prairie, OH 44611-0038 USA
Telephone: 330-496-3211
Fax: 330-496-3097
Email: sealand@dometicusa.com

PARTS LIST: 110 MODEL

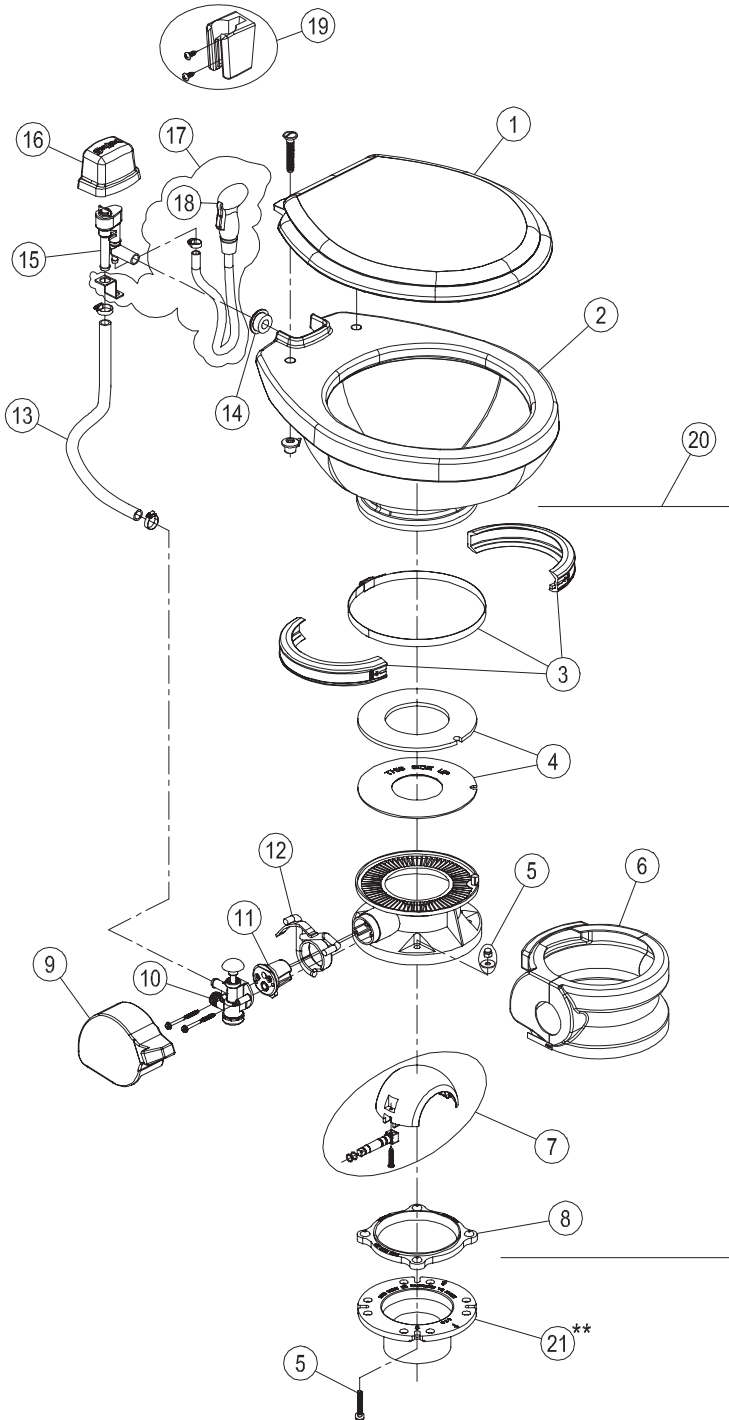


ITEM	PART NUMBER & DESCRIPTION
1	385344088 SEAT/COVER - WHITE
	385344089 SEAT/COVER - BONE
2	385310790 CHINA BOWL KIT - WHITE
	385310791 CHINA BOWL KIT - BONE
3	385310025 BOWL/BASE CLAMP KIT - WHITE
	385310048 BOWL/BASE CLAMP KIT - BONE
4	385311462 FLUSH BALL SEAL REPL KIT
5	385310794 MOUNTING HARDWARE - WHITE
	385310803 MOUNTING HARDWARE - BONE
6	385310681 FLUSH BALL, SHAFT, CARTRIDGE KIT **INCLUDES ITEM 11.
7	385311267 FLOOR FLANGE SEAL
8	385311119 PEDAL & COVER - WHITE
	385311120 PEDAL & COVER - BONE
9	385311179 PEDAL COVER - WHITE
	385311180 PEDAL COVER - BONE
10	385314349 WATER VALVE KIT
11	385310683 SPRING CARTRIDGE KIT
12	385311121 PEDAL/CARTRIDGE KIT - WHITE
	385311122 PEDAL/CARTRIDGE KIT - BONE **INCLUDES ITEM 9 & 11.
13	385340177 BOWL WATER SUPPLY HOSE - WHITE
	385345377 BOWL WATER SUPPLY HOSE - BONE
14	385311164 1/2" SEALING GROMMET
15	385230335 VACUUM BREAKER KIT w/HAND SPRAY
	385316906 VACUUM BREAKER KIT **INCLUDES ITEM 14.
16	385310795 VACUUM BREAKER COVER - WHITE
	385310796 VACUUM BREAKER COVER - BONE
17*	385319054 HAND SPRAY KIT w/VAC BREAKER - WHT **INCLUDES ITEM 14, 15, 18
18*	385311124 HAND SPRAYER - WHITE **INCLUDES ITEM 19.
19*	385230319 HAND SPRAY BRACKET w/SCREW-WHT
20	385310792 110 BASE KIT - WHITE
	385310793 110 BASE KIT - BONE **INCLUDES ITEM 3-12.
21**	385345889 3" MPT FLOOR FLANGE
	385345892 3" SOCKET FLOOR FLANGE
	385343765 3" SPIGOT FLOOR FLANGE
	385310961 45° SWIVEL FLOOR FLANGE* *MUST BE USED WITH SEAL INCLUDED IN KIT.

* ITEMS 17, 18, & 19 ARE OPTIONAL ACCESSORIES;
NOT PROVIDED WITH EVERY MODEL.

** ITEM 21 IS SOLD SEPARATELY; NOT INCLUDED WITH THE TOILET.

PARTS LIST: 111 MODEL

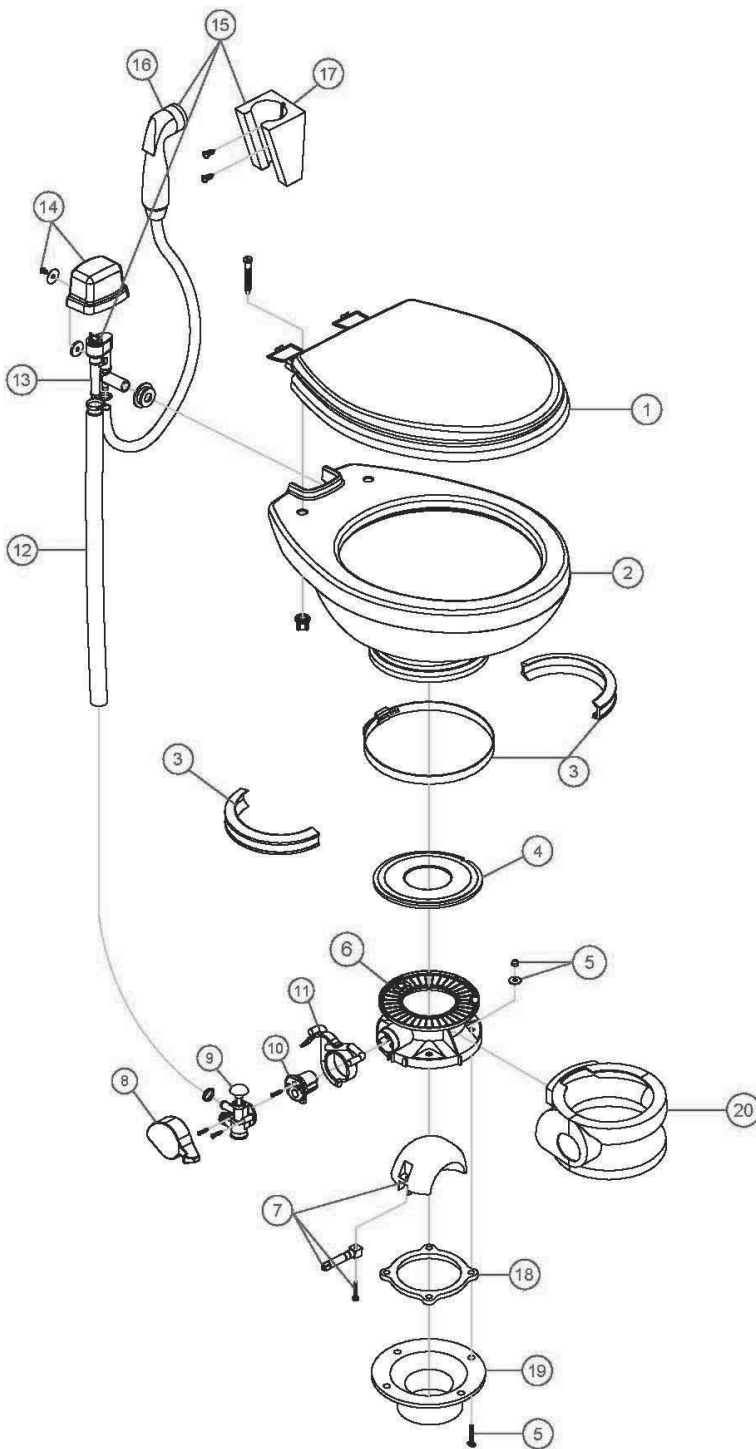


ITEM	PART NUMBER & DESCRIPTION
1	385344088 SEAT/COVER - WHITE
	385344089 SEAT/COVER - BONE
2	385310790 CHINA BOWL KIT - WHITE
	385310791 CHINA BOWL KIT - BONE
3	385310048 BOWL/BASE CLAMP KIT - BONE
4	385311462 FLUSH BALL SEAL REPL KIT
5	385310064 MOUNTING HARDWARE
6	385310108 PEDESTAL COVER - WHITE
	385310109 PEDESTAL COVER - BONE
7	385318162 FLUSH BALL, SHAFT, CARTRIDGE KIT **INCLUDES ITEM 11.
8	385310063 FLOOR FLANGE SEAL
9	385311551 PEDAL COVER - WHITE
	385311552 PEDAL COVER - BONE
10	385314349 WATER VALVE KIT
11	385236096 SPRING CARTRIDGE KIT
12	385311553 PEDAL/LEVER & CARTRIDGE KIT **INCLUDES ITEM 11.
13	385340177 BOWL WATER SUPPLY HOSE - WHITE
	385345377 BOWL WATER SUPPLY HOSE - BONE
14	385311164 1/2" SEALING GROMMET
15	385230335 VACUUM BREAKER KIT w/HAND SPRAY
	385316906 VACUUM BREAKER KIT **INCLUDES ITEM 14.
16	385310795 VACUUM BREAKER COVER - WHITE
	385310796 VACUUM BREAKER COVER - BONE
17*	385319054 HAND SPRAY KIT wVAC BREAKER - WHT **INCLUDES ITEM 14, 15, 18.
18*	385311124 HAND SPRAYER - WHITE **INCLUDES ITEM 19.
19*	385230319 HAND SPRAY BRACKET w/SCREW-WHT
20	385311559 111 BASE KIT - WHITE
	385311560 111 BASE KIT - BONE **INCLUDES ITEM 3-12.
21**	385345889 3" MPT FLOOR FLANGE
	385345892 3" SOCKET FLOOR FLANGE
	385343765 3" SPIGOT FLOOR FLANGE
	385310961 45° SWIVEL FLOOR FLANGE* *MUST BE USED WITH SEAL INCLUDED IN KIT.

* ITEMS 17, 18, & 19 ARE OPTIONAL ACCESSORIES;
NOT PROVIDED WITH EVERY MODEL.

** ITEM 21 IS SOLD SEPARATELY; NOT INCLUDED WITH THE TOILET.

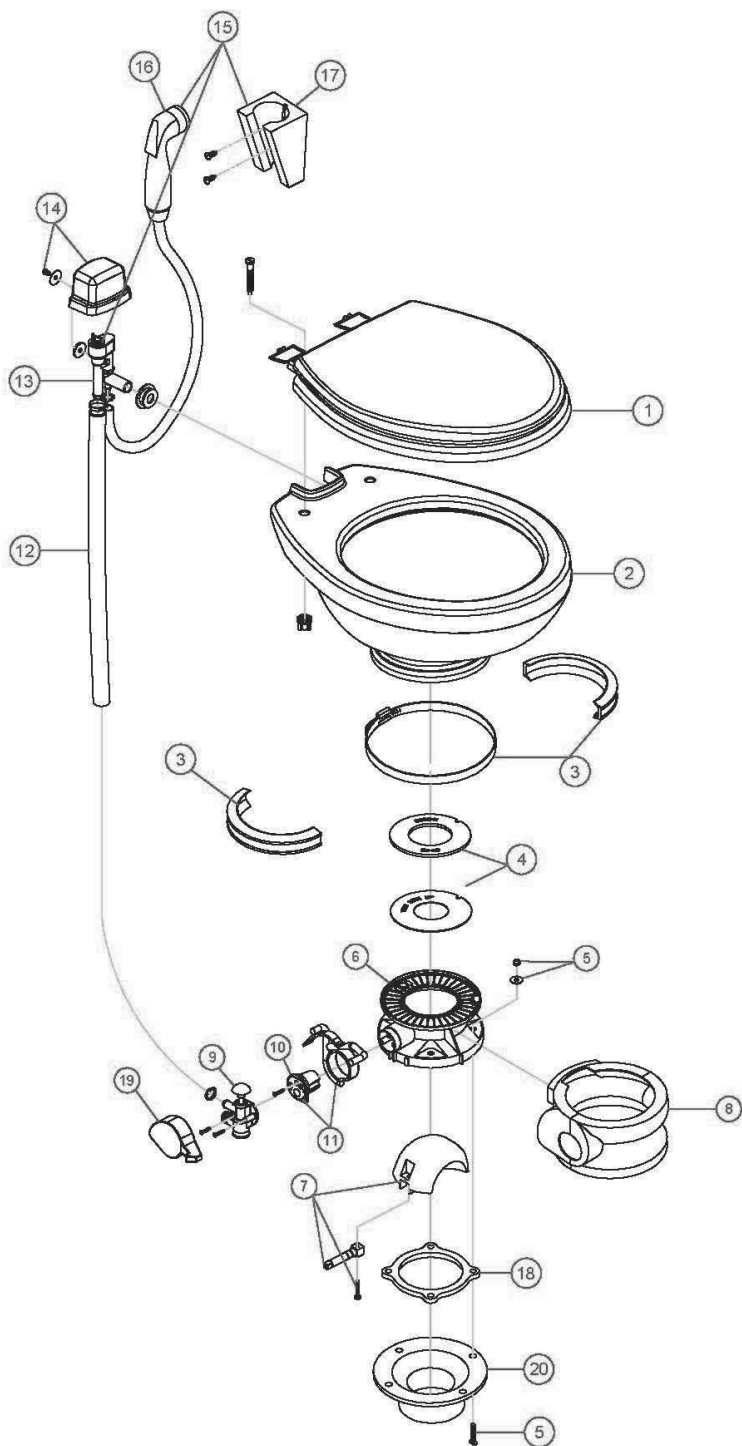
PARTS LIST: 111 TRAVELER LITE (wood seat)



ITEM	PART NO.	DESCRIPTION
1	385343829	KIT, SEAT-CV'R 500+ - WHITE
	385343831	KIT, SEAT-CV'R 500+ - BONE
2	385310790	KIT, BOWL TRAVELER LITE/WHITE
	385310791	KIT, BOWL TRAVELER LITE/BONE
3	385310048	KIT, HALF CLAMP-BONE
	385310025	KIT, HALF CLAMP-WHITE
4	385310677	SEAL REPLACEMENT ,KIT
5	385310064	KIT, MOUNT-TRAVELER-506/806
BASE KIT INCLUDES THE FOLLOWING ITEMS 3-11 & 18 & 20		
6	385311560	KIT, BASE SH'T GR S.PED-BON
	385311559	KIT, BASE SH'T GR S.PED-WHT
7	385310681	KIT,BALL,SHAFT & CART, WHITE (INC. 10)
8	385311551	KIT, SHORT PAD/PEDAL COVER-WHT
	385311552	KIT, SHORT PAD/PEDAL COVER-BNE
9	385314349	KIT, WATER VALVE
10	385236096	KIT, SPRING CARTRIDGE
11	385311553	KIT, SHORT PAD LEVER/CART (INC.10)
12	385340177	KIT, SUPPLY HOSE-BONE
	385345377	KIT, SUPPLY HOSE-WHITE
13	385316906	VACUUM BREAKER, KIT - WITHOUT SPRAY
	385230335	VACUUM BREAKER, KIT - WITH SPRAY
14	385310795	VACUUM BREAKER COVER, KIT- WHITE
	385310796	VACUUM BREAKER COVER, KIT- BONE
15	385319054	VACUUM BREAKER, KIT (INC. 13,16,17)
16	385311124	KIT, HAND SPRAY-WHITE
17	385230319	KIT, BRACKET-HAND SPRAY(screws inc.)
18	385310063	KIT, FLOOR FLANGE SEAL
ITEM 19 SOLD SEPARATELY		
19	385345889	FLOOR FLANGE, 3" MPT
	385345892	FLOOR FLANGE, 3" SOCKET
	385343765	FLOOR FLANGE, 3" SPIGOT
	385310961	FLOOR FLANGE ADAPTER, 45° SWIVEL *must be used with seal included in kit.
20	385310108	KIT, SHORT BASE COVER-WHITE
	385310109	KIT, SHORT BASE COVER-BONE

Dometic Corporation - Sanitation Systems
13128 State Rt. 226, P. O. Box 38
Big Prairie, OH 44611-0038 USA
Telephone: 330-496-3211
Fax: 330-496-3097
Email: sealand@dometicusa.com

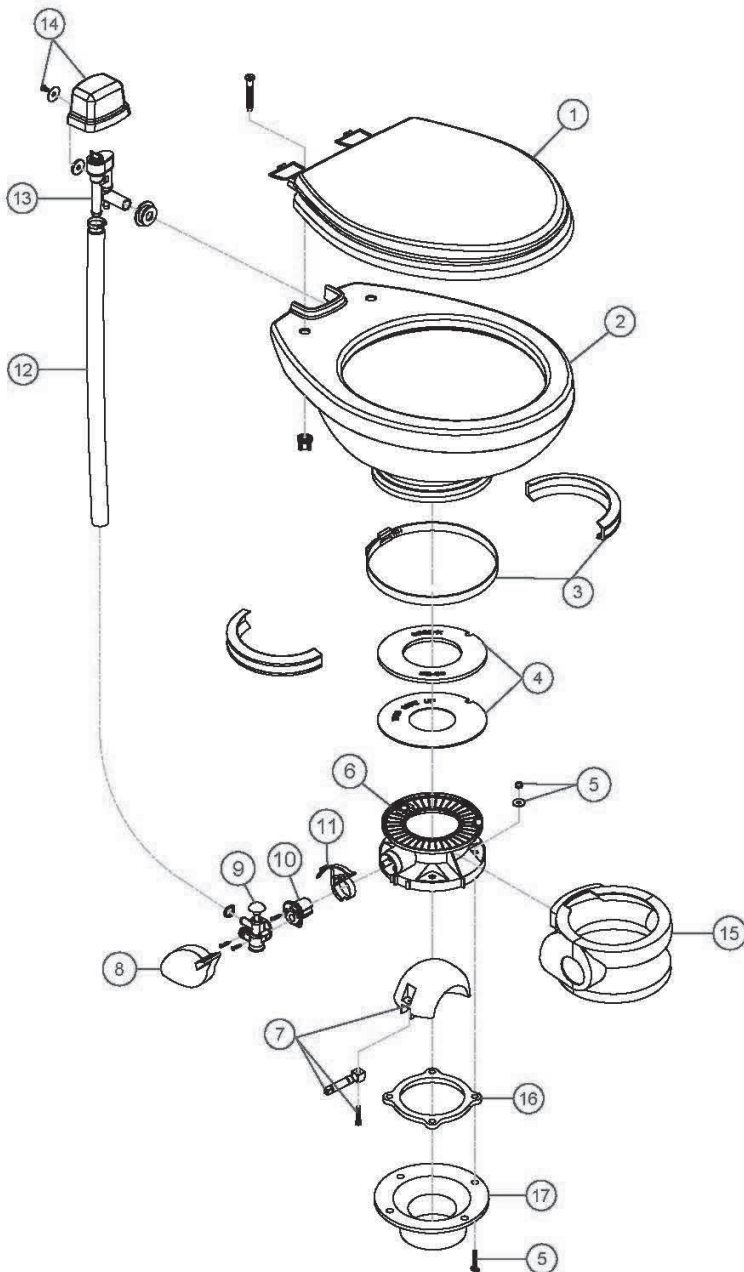
PARTS LIST: TRAVELER LITE 111WS/ECP-303011101 - 302011191



ITEM	PART NO.	DESCRIPTION
1	385311401	KIT, SEAT-CV'R 500+ - WHITE
2	385310790	KIT, BOWL TRAVELER LITE/WHITE
3	385310048	KIT, HALF CLAMP-BONE
4	385311462	SEAL REPLACEMENT ,KIT
5	385310064	KIT, MOUNT-TRAVELER-506/806
6	385311559	KIT, BASE SH'T GRAV S.PED-WHT(INC. 3-11)
7	385310681	KIT,BALL,SHAFT & CART, WHITE (INC. 10)
8	385310108	KIT, SHORT BASE COVER-WHITE
9	385314349	KIT, WATER VALVE
10	385236096	KIT, SPRING CARTRIDGE
11	385311553	KIT, SHORT PAD LEVER/CART(INC. 10)
12	385345377	KIT, SUPPLY HOSE-WHITE
13	385230335	KIT, HAND SPRAY VB
14	385310795	VACUUM BREAKER COVER, KIT-WHITE
15	385319054	VACUUM BREAKER, KIT (INC. 13,16,17,20)
16	385311124	KIT, HAND SPRAY-WHITE
17	385230319	KIT, BRACKET-HAND SPRAY (screws inc.)
18	385310063	KIT, FLOOR FLANGE SEAL
19	385311551	KIT, SHORT PAD/PEDAL COVER-WHT
ITEM 19 SOLD SEPARATELY		
20	385345889	FLOOR FLANGE, 3" MPT
	385345892	FLOOR FLANGE, 3" SOCKET
	385343765	FLOOR FLANGE, 3" SPIGOT
	385310961	FLOOR FLANGE ADAPTER, 45° SWIVEL *must be used with seal included in kit.

Dometic Corporation - Sanitation Systems
13128 State Rt. 226, P.O. Box 38
Big Prairie, OH 44611-0038 USA
Telephone: 330-496-3211
Fax: 330-496-3097
Email: sealand@dometicusa.com

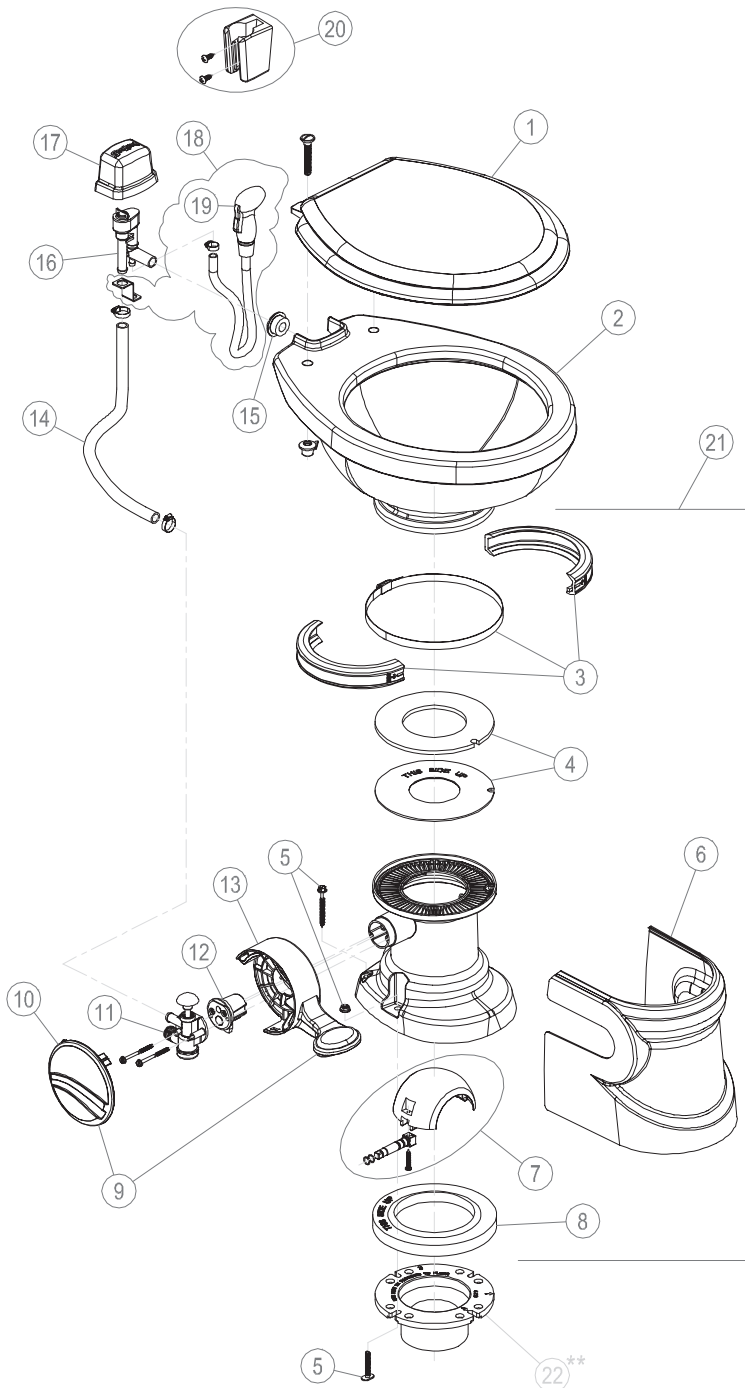
PARTS LIST: 131 TRAVELER LITE



ITEM	PART NO.	DESCRIPTION
1	385343897	SEAT ASSEMBLY, PLATINUM
2	385310973	CHINA BOWL KIT, PLATINUM
3	385310025	BAND AND HALF CLAMP, KIT - WHITE
4	385311462	SEAL REPLACEMENT , KIT
5	385310064	MOUNTING HARDWARE
6	385310125	BASE KIT, PLATINUM (inc items 3-11)
7	385318162	KIT,BALL,SHAFT & CART, WHITE (inc. item 10)
8	385310119	PEDAL COVER, PLATINUM
9	385314349	WATER VALVE, KIT
10	385236096	SPRING CARTRIDGE, KIT
11	385310579	PEDAL / CARTRIDGE KIT
12	385345377	HOSE, SUPPLY - WHITE.
13	385316906	VACUUM BREAKER, KIT
14	385310974	VACUUM BREAKER COVER, KIT
15	385310110	PEDESTAL COVER PLATINUM
16	385310063	FLOOR FLANGE, KIT
17	385345889	FLOOR FLANGE, 3" MPT
	385345892	FLOOR FLANGE, 3" SOCKET
	385343765	FLOOR FLANGE, 3" SPIGOT
	385310961	FLOOR FLANGE ADAPTER, 45° SWIVEL

*ITEM 17 SOLD SEPARATELY

PARTS LIST: 210 MODEL

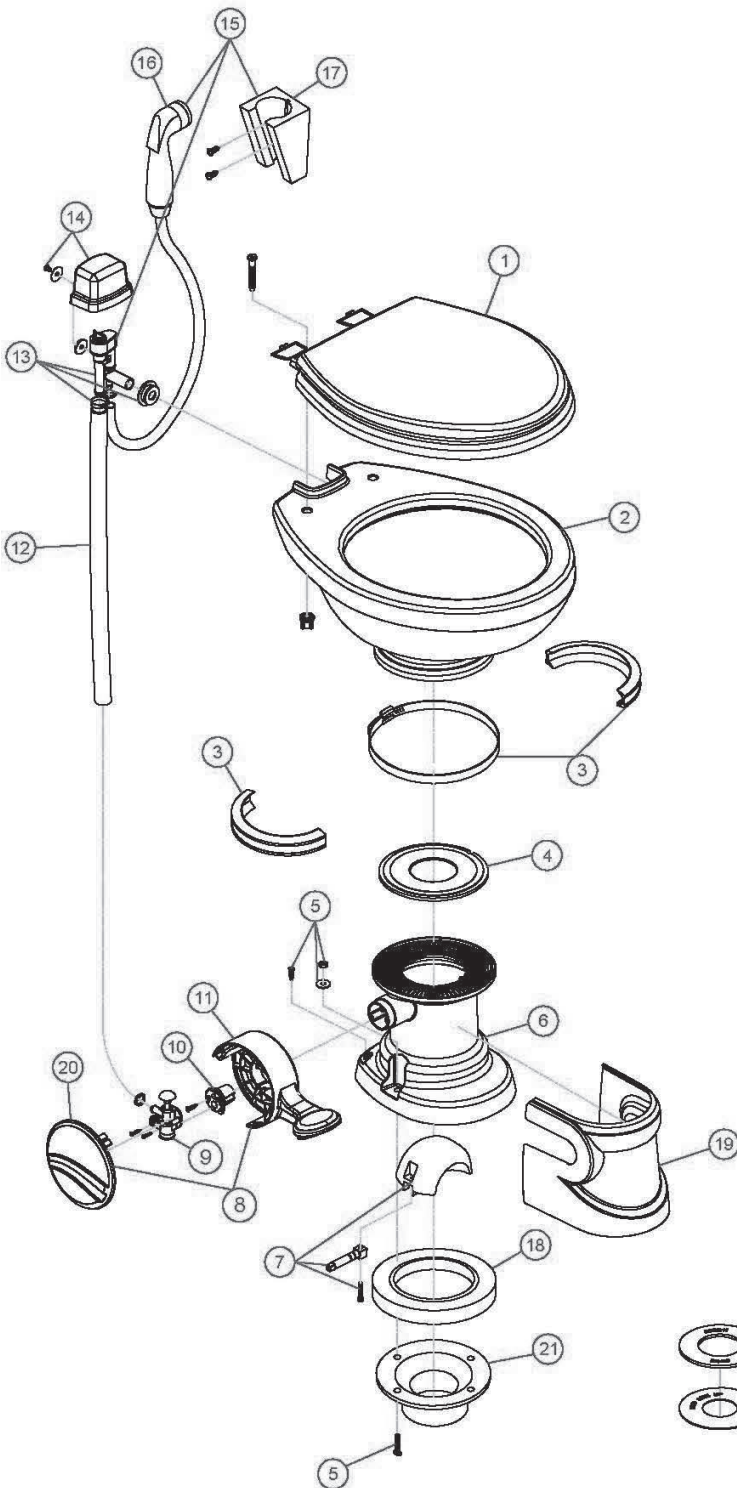


ITEM	PART NUMBER & DESCRIPTION
1	385344088 SEAT/COVER - WHITE 385344089 SEAT/COVER - BONE
2	385310790 CHINA BOWL KIT - WHITE 385310791 CHINA BOWL KIT - BONE
3	385310048 BOWL/BASE CLAMP KIT - BONE
4	385311462 FLUSH BALL SEAL REPL KIT
5	385311117 MOUNTING HARDWARE
6	385311126 BASE SHROUD - WHITE 385311127 BASE SHROUD - BONE
7	385310681 FLUSH BALL, SHAFT, CARTRIDGE KIT **INCLUDES ITEM 12.
8	385311267 FLOOR FLANGE SEAL
9	385311119 PEDAL & COVER - WHITE 385311120 PEDAL & COVER - BONE
10	385311179 PEDAL COVER - WHITE 385311180 PEDAL COVER - BONE
11	385314349 WATER VALVE KIT
12	385310683 SPRING CARTRIDGE KIT
13	385311121 PEDAL/CARTRIDGE KIT - WHITE 385311122 PEDAL/CARTRIDGE KIT - BONE **INCLUDES ITEM 10 & 12.
14	385340177 BOWL WATER SUPPLY HOSE - WHITE 385345377 BOWL WATER SUPPLY HOSE - BONE
15	385311164 1/2" SEALING GROMMET
16	385230335 VACUUM BREAKER KIT w/HAND SPRAY 385316906 VACUUM BREAKER KIT **INCLUDES ITEM 15.
17	385310795 VACUUM BREAKER COVER - WHITE 385310796 VACUUM BREAKER COVER - BONE
18*	385319054 HAND SPRAY KIT w/VAC BREAKER - WHT **INCLUDES ITEM 15, 16, 19.
19*	385311124 HAND SPRAYER - WHITE **INCLUDES ITEM 20.
20*	385230319 HAND SPRAY BRACKET w/SCREW-WHT
21	385311128 210 BASE KIT - WHITE 385311129 210 BASE KIT - BONE **INCLUDES ITEM 3-13.
22**	385345889 3" MPT FLOOR FLANGE 385345892 3" SOCKET FLOOR FLANGE 385343765 3" SPIGOT FLOOR FLANGE 385310961 45° SWIVEL FLOOR FLANGE* *MUST BE USED WITH SEAL INCLUDED IN KIT.

* ITEMS 18, 19, & 20 ARE OPTIONAL ACCESSORIES;
NOT PROVIDED WITH EVERY MODEL.

** ITEM 22 IS SOLD SEPARATELY; NOT INCLUDED WITH THE TOILET.

PARTS LIST: 210 TRAVELER LITE (wood seat)



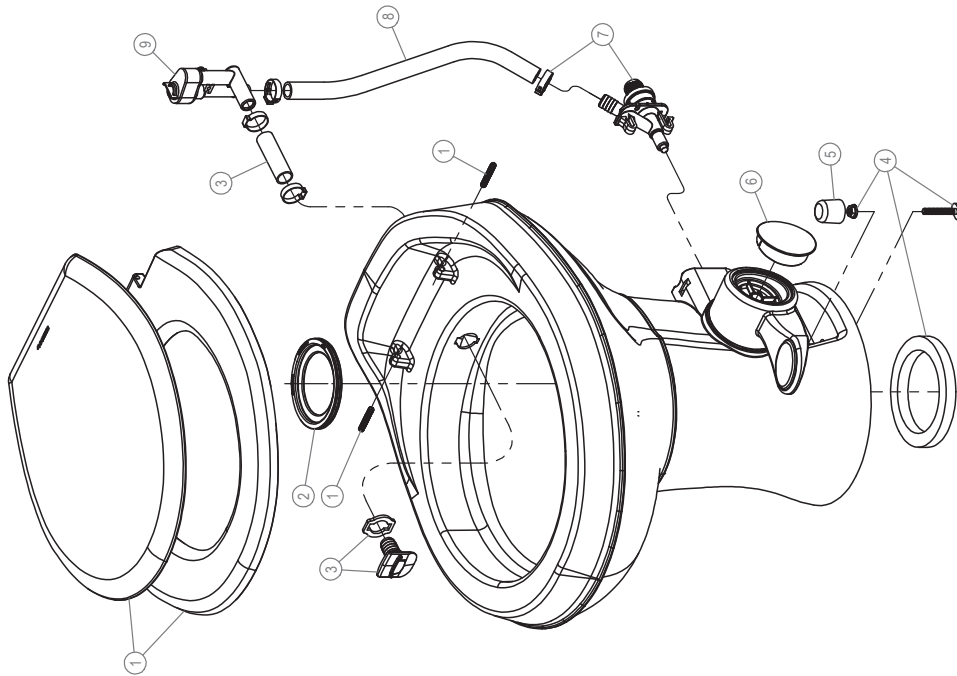
ITEM	PART NO.	DESCRIPTION
1	385343829	KIT, SEAT-CV'R 500+ - WHITE
	385343831	KIT, SEAT-CV'R 500+ - BONE
2	385310790	KIT,BOWL TRAVELER LITE/WHITE
	385310791	KIT,BOWL TRAVELER LITE/BONE
3	385310048	KIT, HALF CLAMP-BONE
	385310025	KIT, HALF CLAMP-WHITE
4	385310677	SEAL REPLACEMENT , KIT
5	385311117	KIT, MOUNTING HARDWARE-210
BASE KIT INCLUDES THE FOLLOWING ITEMS 3-11 & 18,20		
6	385311128	BASE KIT, WHITE (210 model)
	385311129	BASE KIT, BONE (210 model)
7	385310681	KIT,BALL,SHAFT & CART, WHITE (inc. item 10)
8	385311119	KIT, PR PEDAL & COVER-WHT
	385311120	KIT, PR PEDAL & COVER-BONE
9	385314349	KIT, WATER VALVE
10	385310683	KIT, SPRING CARTRIDGE-ECOVAC
11	385311121	KIT, PR PEDAL & CART-WHT (inc. item 10 & 20)
	385311122	KIT, PR PEDAL & CART-BONE(inc. item 10 & 20)
12	385340177	KIT, SUPPLY HOSE-BONE
	385345377	KIT, SUPPLY HOSE-WHITE
13	385316906	VACUUM BREAKER, KIT - WITHOUT SPRAY
	385230335	VACUUM BREAKER, KIT - WITH SPRAY
14	385310795	VACUUM BREAKER COVER, KIT - WHITE
	385310796	VACUUM BREAKER COVER, KIT - BONE
15	385319054	VACUUM BREAKER KIT (inc. items 13,16,17)
16	385311124	KIT, HAND SPRAY-WHITE
17	385230319	KIT, BRACKET-HAND SPRAY(screws inc.)
18	385311267	KIT, FLOOR FLANGE SEAL-5059
19	385311126	KIT, BASE SHROUD-WHITE (210 ONLY)
	385311127	KIT, BASE SHROUD-BONE (210 ONLY)
20	385311179	KIT, PEDAL CV'R REPL' 210 WHT
	385311180	KIT, PEDAL CV'R REPL' 210 BONE
ITEM 21 SOLD SEPARATELY		
21	385345889	FLOOR FLANGE, 3" MPT
	385345892	FLOOR FLANGE, 3" SOCKET
	385343765	FLOOR FLANGE, 3" SPIGOT
	385310961	FLOOR FLANGE ADAPTER, 45° SWIVEL <small>*must be used with seal included in kit.</small>

Dometic Corporation - Sanitation Systems
13128 State Rt. 226, P.O. Box 38
Big Prairie, OH 44611-0038 USA
Telephone: 330-496-3211
Fax: 330-496-3097
Email: sealand@dometicusa.com

P/N: 600346816
REV.: 05-08/17

PARTS LIST: 300 TALL GRAVITY FLUSH TOILET

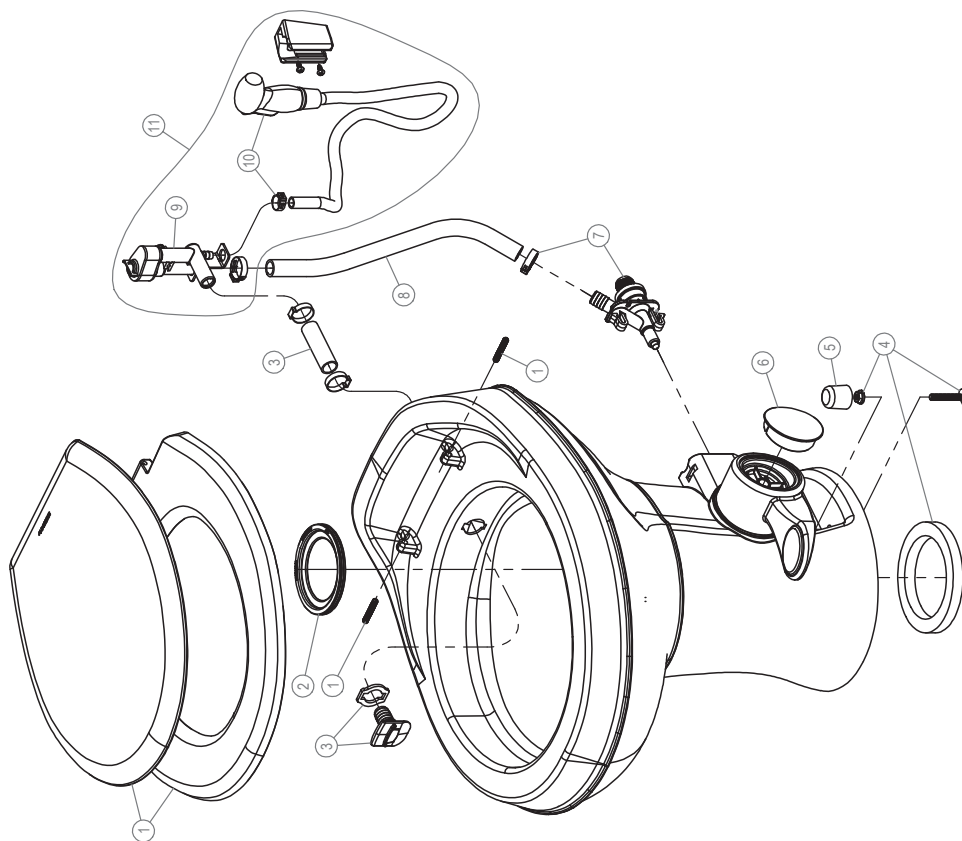
ITEM	PART NUMBER & DESCRIPTION
1	385311930 - SEAT/COVER REPLACEMENT - WHITE 385311931 - SEAT/COVER REPLACEMENT - BONE **Includes Mounting Hardware.
2	385311658 - FLUSH BALL SEAL
3	385311932 - BOWL WASH SPRAY NOZZLE KIT - WHITE 385311933 - BOWL WASH SPRAY NOZZLE KIT - BONE
4	385311652 - MTG HARDWARE & FLOOR SEAL - WHITE 385311653 - MTG HARDWARE & FLOOR SEAL - BONE **Includes Item 5.
5	385311654 - FLOOR BOLT CAP - WHITE 385311655 - FLOOR BOLT CAP - BONE
6	385311656 - PEDAL COVER - WHITE 385311657 - PEDAL COVER - BONE
7	385311641 - WATER VALVE KIT
8	385311937 - BOWL SUPPLY HOSE **Includes Mounting Clamps.
9	385316906 - VACUUM BREAKER KIT, WITHOUT SPRAYER



Dometic Corporation - Sanitation Systems
13128 State Rt. 226, P.O. Box 38
Big Prairie, OH 44611-0038 USA
Telephone: 330-439-5550
Fax: 330-496-3097
Email: sealand@dometicusa.com

P/N: 600346816
REV.: 05-08/17

PARTS LIST: 300 TALL GRAVITY FLUSH TOILET



ITEM	PART NUMBER & DESCRIPTION
1	385311930 - SEAT/COVER REPLACEMENT - WHITE 385311931 - SEAT/COVER REPLACEMENT - BONE **Includes Mounting Hardware.
2	385311658 - FLUSH BALL SEAL
3	385311932 - BOWL WASH SPRAY NOZZLE KIT - WHITE 385311933 - BOWL WASH SPRAY NOZZLE KIT - BONE
4	385311652 - MTG HARDWARE & FLOOR SEAL - WHITE 385311653 - MTG HARDWARE & FLOOR SEAL - BONE **Includes Item 5.
5	385311654 - FLOOR BOLT CAP - WHITE 385311655 - FLOOR BOLT CAP - BONE
6	385311656 - PEDAL COVER - WHITE 385311657 - PEDAL COVER - BONE
7	385311641 - WATER VALVE KIT
8	385311937 - BOWL SUPPLY HOSE **Includes Mounting Clamps.
9	385230335 - VACUUM BREAKER KIT (for sprayer option)
10**	385311124 - HAND SPRAYER - WHITE **Includes Mounting Bracket.
11**	385319054 - HAND SPRAY KIT w/VAC BREAKER - WHITE **Includes Items 9 & 10.

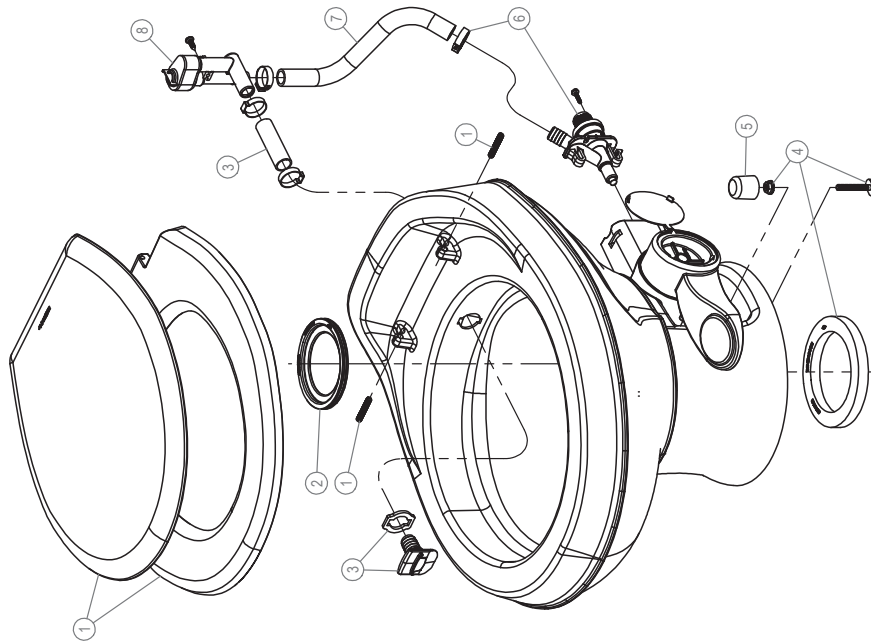
** Items 10 & 11 are optional accessories; not provided with every model.

Dometic Corporation - Sanitation Systems
13128 Slate Rt. 226, P. O. Box 38
Big Prairie, OH 44611-0038 USA
Telephone: 330-439-5550
Fax: 330-496-3097
Email: sealand@dometicusa.com

P/N: 600347283
REV.: 03-08/17

PARTS LIST: 301 & 301S LOW-PROFILE GRAVITY TOILET

ITEM	PART NUMBER & DESCRIPTION
1	385311930 - SEAT/COVER REPLACEMENT - WHITE 385311931 - SEAT/COVER REPLACEMENT - BONE **Includes Mounting Hardware.
2	385311658 - FLUSH BALL SEAL
3	385311932 - BOWL WASH SPRAY NOZZLE KIT - WHITE 385311933 - BOWL WASH SPRAY NOZZLE KIT - BONE
4	385311652 - MTG HARDWARE & FLOOR SEAL - WHITE 385311653 - MTG HARDWARE & FLOOR SEAL - BONE **Includes Item 5.
5	385311654 - FLOOR BOLT CAP - WHITE 385311655 - FLOOR BOLT CAP - BONE
6	385311641 - WATER VALVE KIT
7	385311937 - BOWL SUPPLY HOSE **Includes Mounting Clamps.
8	385316906 - VACUUM BREAKER KIT

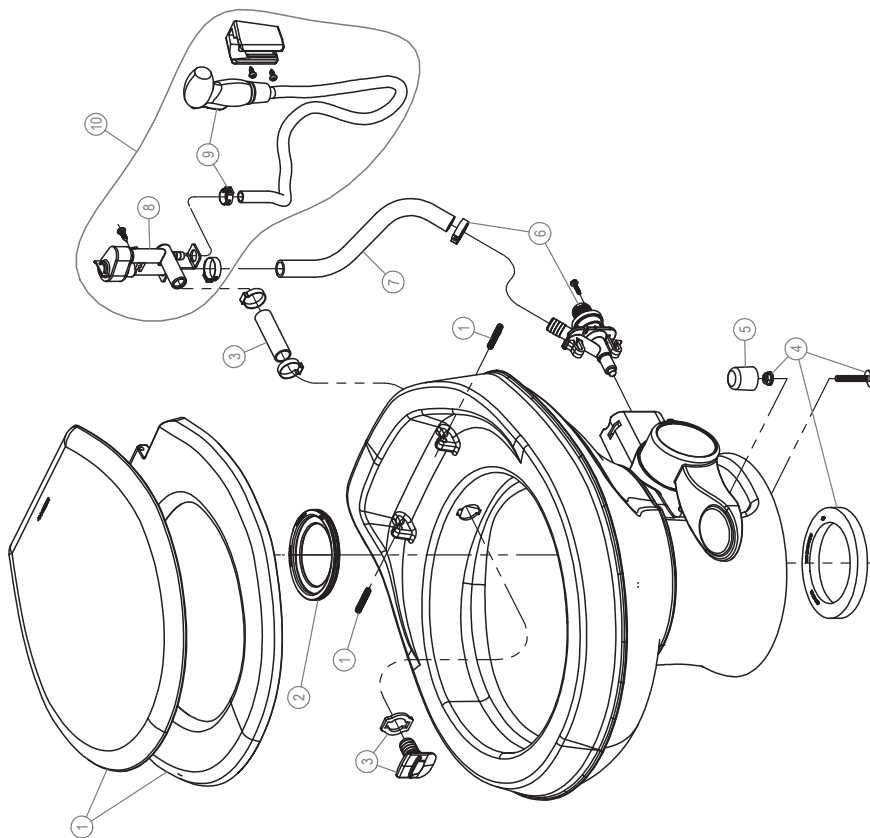


Domestic Corporation - Sanitation Systems
13128 State Rt. 226, P.O. Box 38
Big Prairie, OH 44611-0038 USA
Telephone: 330-439-5550
Fax: 330-496-3097
Email: sealand@domesticusa.com

P/N: 600347283
REV.: 03-08/17

PARTS LIST: 301 & 301S LOW-PROFILE GRAVITY TOILET

ITEM	PART NUMBER & DESCRIPTION
1	385311930 - SEAT/COVER REPLACEMENT - WHITE 385311931 - SEAT/COVER REPLACEMENT - BONE **Includes Mounting Hardware.
2	385311658 - FLUSH BALL SEAL
3	385311932 - BOWL WASH SPRAY NOZZLE KIT - WHITE 385311933 - BOWL WASH SPRAY NOZZLE KIT - BONE
4	385311652 - MTG HARDWARE & FLOOR SEAL - WHITE 385311653 - MTG HARDWARE & FLOOR SEAL - BONE **Includes Item 5.
5	385311654 - FLOOR BOLT CAP - WHITE 385311655 - FLOOR BOLT CAP - BONE
6	385311641 - WATER VALVE KIT
7	385311937 - BOWL SUPPLY HOSE **Includes Mounting Clamps.
8	385230335 - VACUUM BREAKER KIT (for sprayer option)
9**	385311124 - HAND SPRAYER - WHITE **Includes Mounting Bracket.
10**	385319054 - HAND SPRAY KIT w/VAC BREAKER - WHITE **Includes Items 8, & 9.

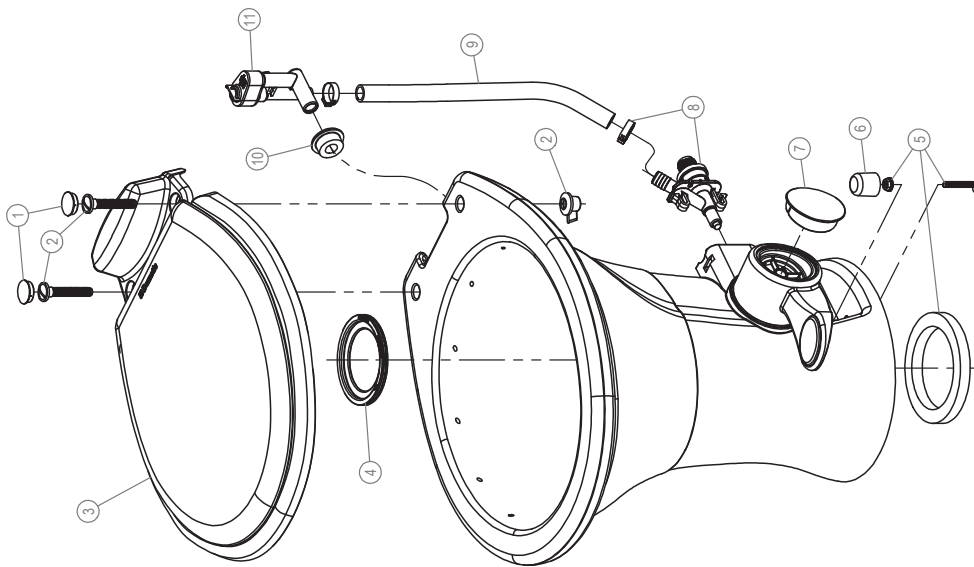


**Items 9 & 10 are optional accessories;
not provided with every model.

Dometic Corporation - Sanitation Systems
13128 State Rt. 226, P. O. Box 38
Big Prairie, OH 44611-0038 USA
Telephone: 330-439-5550
Fax: 330-496-3097
E-mail: sealand@dometicusa.com

P/N: 600346224
REV.: 04-01/16

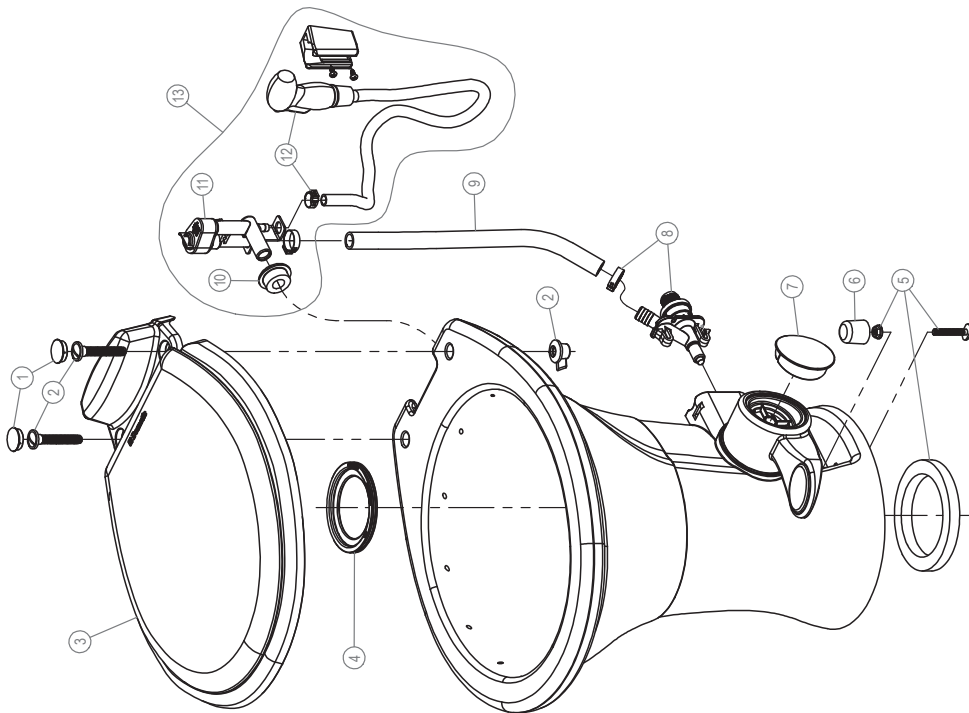
PARTS LIST: 310/310S GRAVITY FLUSH TOILET



ITEM	PART NUMBER & DESCRIPTION
1	385311648 - SEAT MOUNTING COVER - WHITE 385311649 - SEAT MOUNTING COVER - BONE
2	385311650 - SEAT MOUNTING HARDWARE - WHITE 385311651 - SEAT MOUNTING HARDWARE - BONE **Includes Item 1.
3	385311646 - SEAT/COVER REPLACEMENT - WHITE 385311647 - SEAT/COVER REPLACEMENT - BONE **Includes Items 1 & 2.
4	385311658 - FLUSH BALL SEAL
5	385311652 - MTG HARDWARE & FLOOR SEAL - WHITE 385311653 - MTG HARDWARE & FLOOR SEAL - BONE **Includes Item 6.
6	385311654 - FLOOR BOLT CAP - WHITE 385311655 - FLOOR BOLT CAP - BONE
7	385311656 - PEDAL COVER - WHITE 385311657 - PEDAL COVER - BONE
8	385311641 - WATER VALVE KIT
9	385311937 - BOWL SUPPLY HOSE **Includes Mounting Clamps.
10	385311164 - 1/2" SEALING GROMMET
11	385316906 - VACUUM BREAKER KIT **Includes Item 10.

P/N: 600346224
REV.: 04-01/16

PARTS LIST: 310/310S GRAVITY FLUSH TOILET

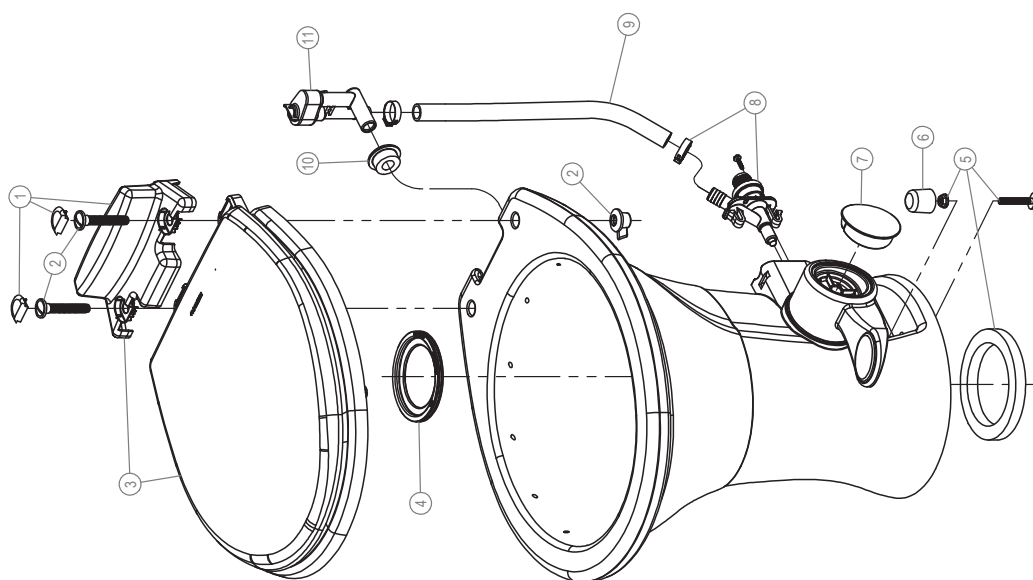


ITEM	PART NUMBER & DESCRIPTION
1	385311648 - SEAT MOUNTING COVER - WHITE 385311649 - SEAT MOUNTING COVER - BONE
2	385311650 - SEAT MOUNTING HARDWARE - WHITE 385311651 - SEAT MOUNTING HARDWARE - BONE **Includes Item 1.
3	385311646 - SEAT/COVER REPLACEMENT - WHITE 385311647 - SEAT/COVER REPLACEMENT - BONE **Includes Items 1 & 2.
4	385311658 - FLUSH BALL SEAL
5	385311652 - MTG HARDWARE & FLOOR SEAL - WHITE 385311653 - MTG HARDWARE & FLOOR SEAL - BONE **Includes Item 6.
6	385311654 - FLOOR BOLT CAP - WHITE 385311655 - FLOOR BOLT CAP - BONE
7	385311656 - PEDAL COVER - WHITE 385311657 - PEDAL COVER - BONE
8	385311641 - WATER VALVE KIT
9	385311937 - BOWL SUPPLY HOSE **Includes Mounting Clamps.
10	385311164 - 1/2" SEALING GROMMET
11	385230335 - VACUUM BREAKER KIT (for sprayer option) **Includes Item 10.
12**	385311124 - HAND SPRAYER - WHITE **Includes Mounting Bracket.
13**	385319054 - HAND SPRAY KIT w/VAC BREAKER - WHITE **Includes Items 10, 11, & 12.

Domestic Corporation - Sanitation Systems
13128 State Rt. 226, P.O. Box 38
Big Prairie, OH 44611-0038 USA
Telephone: 330-439-5550
Fax: 330-496-3097
Email: sealand@domtelcusa.com

P/N: 600347346
REV.: 01-03/17

PARTS LIST: 310 SLOW CLOSE SEAT TALL GRAVITY FLUSH TOILET



ITEM	PART NUMBER & DESCRIPTION
1	385312110 - VACUUM BREAKER REPL COVER - WHITE 385312111 - VACUUM BREAKER REPL COVER - BONE **Includes Bolt Caps & Item 2.
2	385311861 - SEAT/COVER MOUNTING HARDWARE
3	385312075 - SLOW-CLOSE SEAT/CVR REPL - WHITE 385312076 - SLOW-CLOSE SEAT/CVR REPL - BONE -Includes Items 1 & 2.
4	385311658 - FLUSH BALL SEAL
5	385311652 - MTG HARDWARE & FLOOR SEAL - WHITE 385311653 - MTG HARDWARE & FLOOR SEAL - BONE **Includes Item 7.
6	385311654 - FLOOR BOLT CAP - WHITE 385311655 - FLOOR BOLT CAP - BONE C7
7	385311656 - PEDAL COVER - WHITE 385311657 - PEDAL COVER - BONE
8	385311641 - WATER VALVE KIT
9	385311937 - BOWL SUPPLY HOSE **Includes Mounting Clamps.
10	385311164 - 1/2" SEALING GROMMET
11	385316906 - VACUUM BREAKER KIT; WITHOUT SPRAYER **Includes Item 11.

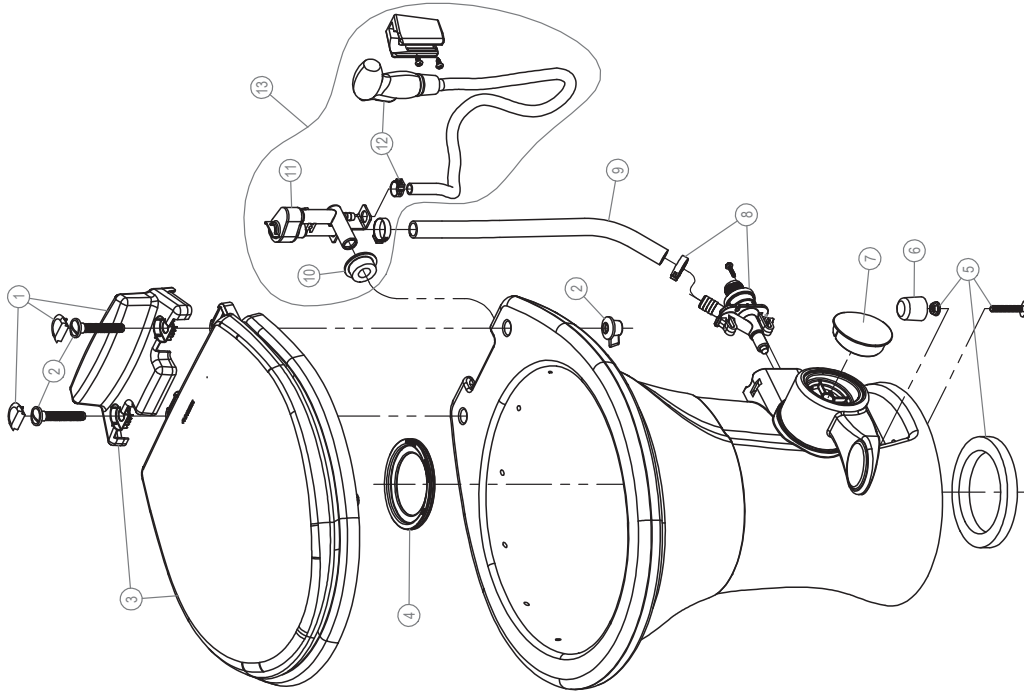
Dometic Corporation - Sanitation Systems
13128 State Rt. 226, P.O. Box 38
Big Prairie, OH 44611-0038 USA
Telephone: 330-439-5550
Fax: 330-496-3097
Email: sealand@dometicusa.com

P/N: 600347346
REV.: 01-03/17

PARTS LIST: 310 SLOW CLOSE SEAT TALL GRAVITY FLUSH TOILET

ITEM	PART NUMBER & DESCRIPTION
1	385312110 - VACUUM BREAKER REPL COVER - WHITE 385312111 - VACUUM BREAKER REPL COVER - BONE **Includes Bolt Caps & Item 2.
2	385311861 - SEAT/COVER MOUNTING HARDWARE
3	385312075 - SLOW-CLOSE SEAT/CVR REPL - WHITE 385312076 - SLOW-CLOSE SEAT/CVR REPL - BONE -Includes Items 1 & 2.
4	385311658 - FLUSH BALL SEAL
5	385311652 - MTG HARDWARE & FLOOR SEAL - WHITE 385311653 - MTG HARDWARE & FLOOR SEAL - BONE **Includes Item 7.
6	385311654 - FLOOR BOLT CAP - WHITE 385311655 - FLOOR BOLT CAP - BONE
7	385311656 - PEDAL COVER - WHITE 385311657 - PEDAL COVER - BONE
8	385311641 - WATER VALVE KIT
9	385311937 - BOWL SUPPLY HOSE **Includes Mounting Clamps.
10	385311164 - 1/2" SEALING GROMMET
11	385230335 - VACUUM BREAKER KIT **Includes Item 11.
12**	385311124 - HAND SPRAYER - WHITE **Includes Mounting Bracket.
13**	385319054 - HAND SPRAY KIT w/VAC BREAKER - WHITE **Includes Items 11, 12, & 13.

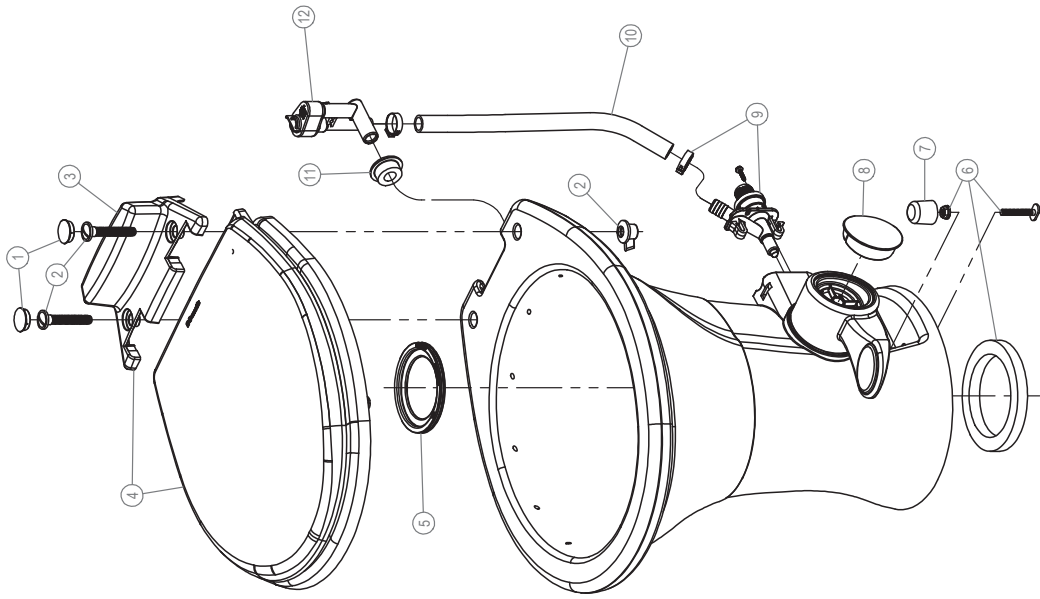
**Items 12 & 13 are Optional Accessories;
Not Provided with Every Model.



Dometic Corporation - Sanitation Systems
13128 State Rt. 226, P.O. Box 38
Big Prairie, OH 44611-0038 USA
Telephone: 330-439-5550
Fax: 330-496-3097
Email: sealand@dometicusa.com

P/N: 600346868
REV.: 05-02/16

PARTS LIST: 310 / 310S TALL GRAVITY FLUSH TOILET w/WOOD SEAT

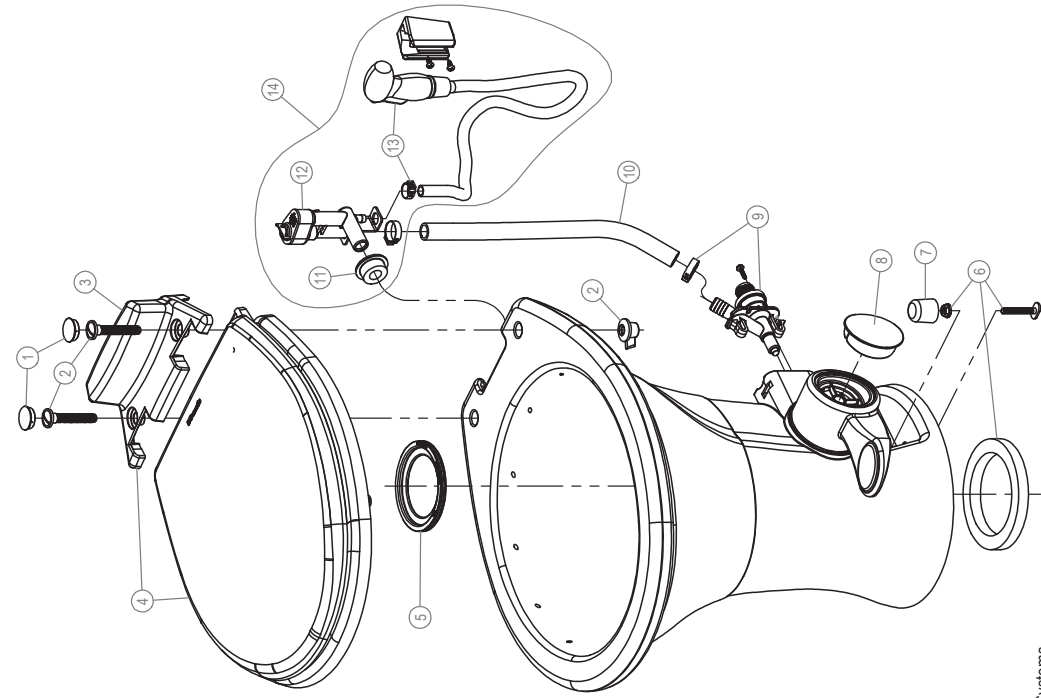


ITEM	PART NUMBER & DESCRIPTION
1	385311648 - SEAT MOUNTING COVER - WHITE 385311649 - SEAT MOUNTING COVER - BONE
2	385311650 - SEAT MOUNTING HARDWARE - WHITE 385311651 - SEAT MOUNTING HARDWARE - BONE **Includes Item 1.
3	385311944 - VACUUM BREAKER REPL COVER - WHITE 385311945 - VACUUM BREAKER REPL COVER - BONE **Includes Items 1 & 2.
4	385311949 - SEAT/COVER REPLACEMENT - WHITE 385311950 - SEAT/COVER REPLACEMENT - BONE **Includes Items 1, 2, & 3.
5	385311658 - FLUSH BALL SEAL
6	385311652 - MTG HARDWARE & FLOOR SEAL - WHITE 385311653 - MTG HARDWARE & FLOOR SEAL - BONE **Includes Item 7.
7	385311654 - FLOOR BOLT CAP - WHITE 385311655 - FLOOR BOLT CAP - BONE C7
8	385311656 - PEDAL COVER - WHITE 385311657 - PEDAL COVER - BONE
9	385311641 - WATER VALVE KIT
10	385311937 - BOWL SUPPLY HOSE **Includes Mounting Clamps.
11	385311164 - 1/2" SEALING GROMMET
12	385316906 - VACUUM BREAKER KIT; WITHOUT SPRAYER **Includes Item 11.

Dometic Corporation - Sanitation Systems
13128 State Rt. 226, P.O. Box 38
Big Prairie, OH 44611-0038 USA
Telephone: 330-439-5550
Fax: 330-496-3097
Email: seelano@dometicusa.com

P/N: 600346868
REV.: 05-02/16

PARTS LIST: 310 / 310S TALL GRAVITY FLUSH TOILET w/WOOD SEAT



ITEM	PART NUMBER & DESCRIPTION
1	385311648 - SEAT MOUNTING COVER - WHITE 385311649 - SEAT MOUNTING COVER - BONE
2	385311650 - SEAT MOUNTING HARDWARE - WHITE 385311651 - SEAT MOUNTING HARDWARE - BONE **Includes Item 1.
3	385311944 - VACUUM BREAKER REPL COVER - WHITE 385311945 - VACUUM BREAKER REPL COVER - BONE **Includes Items 1 & 2.
4	385311949 - SEAT/COVER REPLACEMENT - WHITE 385311950 - SEAT/COVER REPLACEMENT - BONE **Includes Items 1, 2, & 3.
5	385311658 - FLUSH BALL SEAL
6	385311652 - MTG HARDWARE & FLOOR SEAL - WHITE 385311653 - MTG HARDWARE & FLOOR SEAL - BONE **Includes Item 7.
7	385311654 - FLOOR BOLT CAP - WHITE 385311655 - FLOOR BOLT CAP - BONE C7
8	385311656 - PEDAL COVER - WHITE 385311657 - PEDAL COVER - BONE
9	385311641 - WATER VALVE KIT
10	385311937 - BOWL SUPPLY HOSE **Includes Mounting Clamps.
11	385311164 - 1/2" SEALING GROMMET
12	385230335 - VACUUM BREAKER KIT **Includes Item 11.
13**	385311124 - HAND SPRAYER - WHITE **Includes Mounting Bracket.
14**	385319054 - HAND SPRAY KIT w/VAC BREAKER - WHITE **Includes Items 11, 12, & 13.

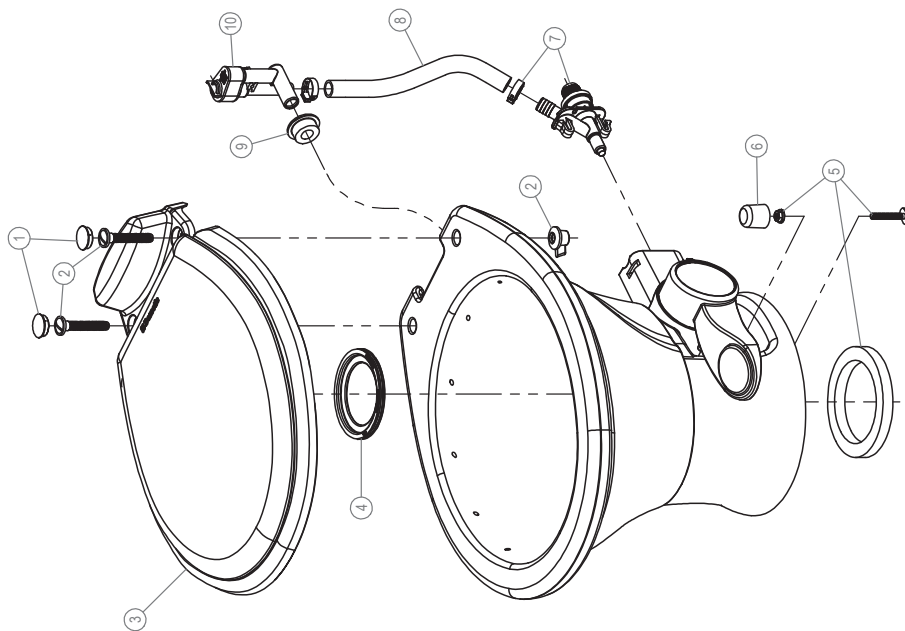
****Items 13 & 14 are Optional Accessories;
Not Provided with Every Model.**

Dometic Corporation - Sanitation Systems
13128 State Rt. 226, P.O. Box 38
Big Prairie, OH 44611-0038 USA
Telephone: 330-439-5550
Fax: 330-496-3097
Email: sealand@dometicusa.com

P/N: 600347271
REV.: 01-01/16

PARTS LIST: 311/311S LOW-PROFILE GRAVIFY FLUSH TOILET

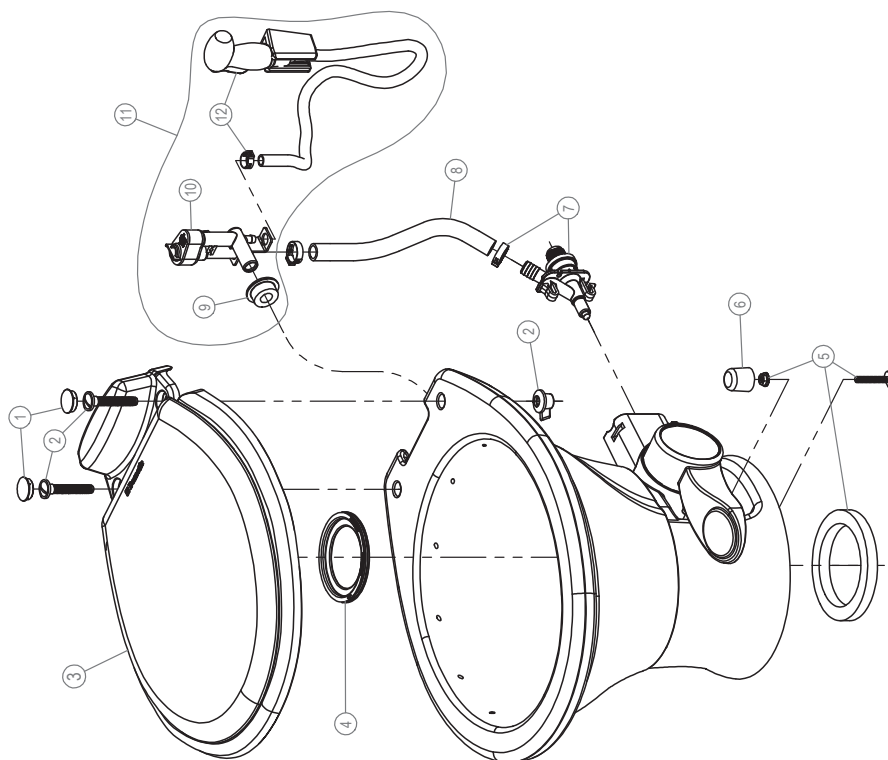
ITEM	PART NUMBER & DESCRIPTION
1	385311648 - SEAT MOUNTING COVER - WHITE 385311649 - SEAT MOUNTING COVER - BONE
2	385311650 - SEAT MOUNTING HARDWARE - WHITE 385311651 - SEAT MOUNTING HARDWARE - BONE **Includes Item 1.
3	385311646 - SEAT/COVER REPLACEMENT - WHITE 385311647 - SEAT/COVER REPLACEMENT - BONE **Includes Items 1 & 2.
4	385311658 - FLUSH BALL SEAL
5	385311652 - MTG HARDWARE & FLOOR SEAL - WHITE 385311653 - MTG HARDWARE & FLOOR SEAL - BONE **Includes Item 6.
6	385311654 - FLOOR BOLT CAP - WHITE 385311655 - FLOOR BOLT CAP - BONE
7	385311641 - WATER VALVE KIT
8	385311937 - BOWL SUPPLY HOSE **Includes Mounting Clamps.
9	385311164 - 1/2" SEALING GROMMET
10	385316906 - VACUUM BREAKER KIT **Includes Item 9.



Dometic Corporation - Sanitation Systems
13128 State Rt. 226, P.O. Box 38
Big Prairie, OH 44611-0038 USA
Telephone: 330-439-5550
Fax: 330-496-3097
Email: sealand@dometicus.com

P/N: 600347271
REV.: 01-01/16

PARTS LIST: 311/311S LOW-PROFILE GRAVIFY FLUSH TOILET



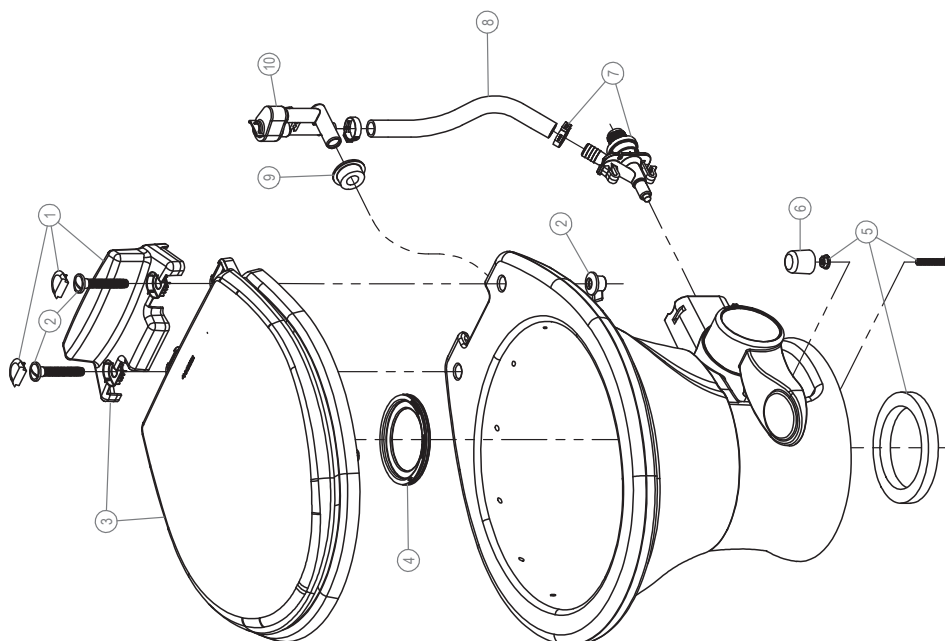
ITEM	PART NUMBER & DESCRIPTION
1	385311648 - SEAT MOUNTING COVER - WHITE 385311649 - SEAT MOUNTING COVER - BONE
2	385311650 - SEAT MOUNTING HARDWARE - WHITE 385311651 - SEAT MOUNTING HARDWARE - BONE **Includes Item 1.
3	385311646 - SEAT/COVER REPLACEMENT - WHITE 385311647 - SEAT/COVER REPLACEMENT - BONE **Includes Items 1 & 2.
4	385311658 - FLUSH BALL SEAL
5	385311652 - MTG HARDWARE & FLOOR SEAL - WHITE 385311653 - MTG HARDWARE & FLOOR SEAL - BONE **Includes Item 6.
6	385311654 - FLOOR BOLT CAP - WHITE 385311655 - FLOOR BOLT CAP - BONE
7	385311641 - WATER VALVE KIT
8	385311937 - BOWL SUPPLY HOSE **Includes Mounting Clamps.
9	385311164 - 1/2" SEALING GROMMET
10	385230335 - VACUUM BREAKER KIT; WITH SPRAYER **Includes Item 9.
11**	385319054 - HAND SPRAY KIT w/VAC BREAKER - WHITE **Includes Items 9, 10, & 12.
12**	385311124 - HAND SPRAYER - WHITE **Includes Mounting Bracket.

**ITEMS 11 & 12 ARE OPTIONAL ACCESSORIES;
NOT PROVIDED WITH EVERY MODEL.

Domestic Corporation - Sanitation Systems
13128 State Rt. 226, P.O. Box 38
Big Prairie, OH 44611-0038 USA
Telephone: 330-439-5550
Fax: 330-496-3097
Email: sealand@domesticusa.com

P/N: 600347347
REV.: 01-03/17

PARTS LIST: 311 SLOW CLOSE SEAT TALL GRAVITY FLUSH TOILET

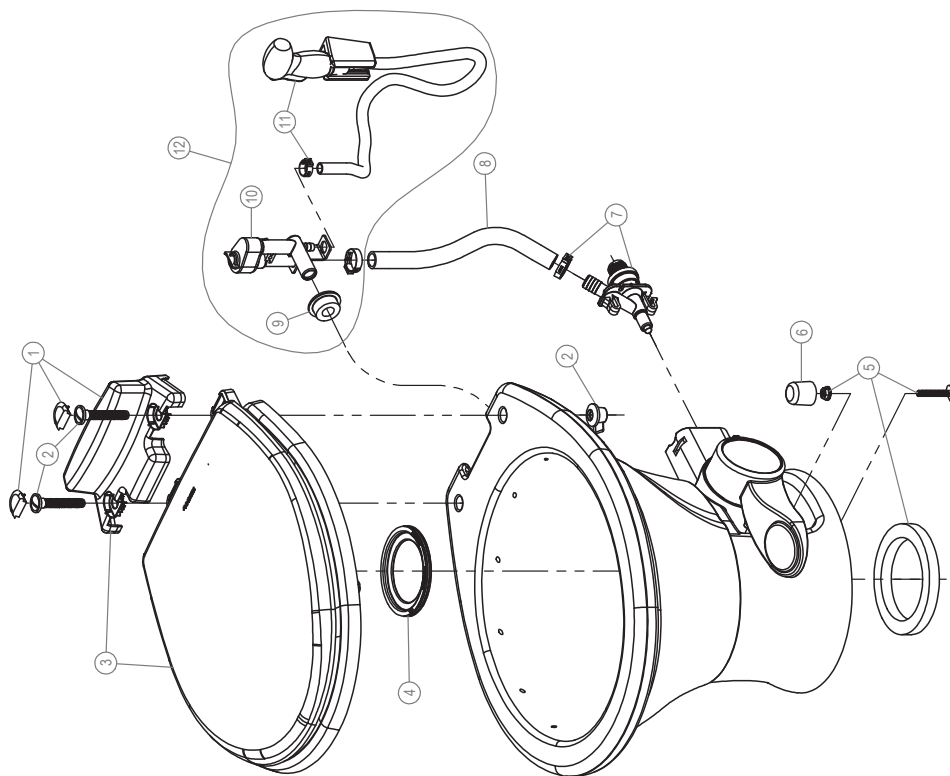


ITEM	PART NUMBER & DESCRIPTION
1	385312110 - VACUUM BREAKER REPL COVER - WHITE 385312111 - VACUUM BREAKER REPL COVER - BONE **Includes Bolt Caps & Item 2.
2	385311861 - SEAT/COVER MOUNTING HARDWARE
3	385312075 - SLOW-CLOSE SEAT/CVR REPL - WHITE 385312076 - SLOW-CLOSE SEAT/CVR REPL - BONE -Includes Items 1 & 2.
4	385311658 - FLUSH BALL SEAL
5	385311652 - MTG HARDWARE & FLOOR SEAL - WHITE 385311653 - MTG HARDWARE & FLOOR SEAL - BONE **Includes Item 7.
6	385311654 - FLOOR BOLT CAP - WHITE 385311655 - FLOOR BOLT CAP - BONE
7	385311641 - WATER VALVE KIT
8	385311937 - BOWL SUPPLY HOSE **Includes Mounting Clamps.
9	385311164 - 1/2" SEALING GROMMET
10	385316906 - VACUUM BREAKER KIT **Includes Item 10.

Domestic Corporation - Sanitation Systems
13128 State Rt. 226, P.O. Box 38
Big Prairie, OH 44611-0038 USA
Telephone: 330-439-5550
Fax: 330-496-3097
Email: sealand@domesticusa.com

P/N: 600347347
REV.: 01-03/17

PARTS LIST: 311 SLOW CLOSE SEAT TALL GRAVITY FLUSH TOILET



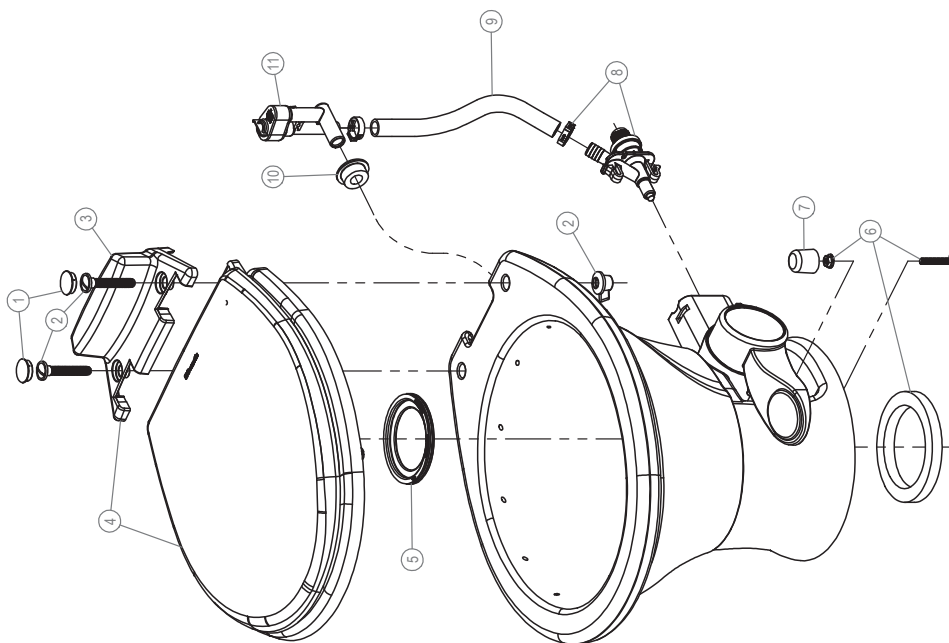
ITEM	PART NUMBER & DESCRIPTION
1	385312110 - VACUUM BREAKER REPL COVER - WHITE 385312111 - VACUUM BREAKER REPL COVER - BONE **Includes Bolt Caps & Item 2.
2	385311861 - SEAT/COVER MOUNTING HARDWARE
3	385312075 - SLOW-CLOSE SEAT/CVR REPL - WHITE 385312076 - SLOW-CLOSE SEAT/CVR REPL - BONE -Includes Items 1 & 2.
4	385311658 - FLUSH BALL SEAL
5	385311652 - MTG HARDWARE & FLOOR SEAL - WHITE 385311653 - MTG HARDWARE & FLOOR SEAL - BONE **Includes Item 7.
6	385311654 - FLOOR BOLT CAP - WHITE 385311655 - FLOOR BOLT CAP - BONE
7	385311641 - WATER VALVE KIT
8	385311937 - BOWL SUPPLY HOSE **Includes Mounting Clamps.
9	385311164 - 1/2" SEALING GROMMET
10	385230335 - VACUUM BREAKER KIT (for sprayer option) **Includes Item 10.
11**	385311124 - HAND SPRAYER - WHITE **Includes Mounting Bracket.
12**	385319054 - HAND SPRAY KIT w/VAC BREAKER - WHITE **Includes Items 10, 11, & 12.

**Items 12 & 13 are Optional Accessories;
Not Provided with Every Model.

Dometic Corporation - Sanitation Systems
13128 Slate Rt, 226, P.O. Box 38
Big Prairie, OH 44611-0038 USA
Telephone: 330-439-5550
Fax: 330-496-3097
Email: sealand@dometicusa.com

P/N: 600347272
REV.: 01-02/16

PARTS LIST: 311/311S LOW-PROFILE GRAVIFY FLUSH TOILET w/WOOD SEAT

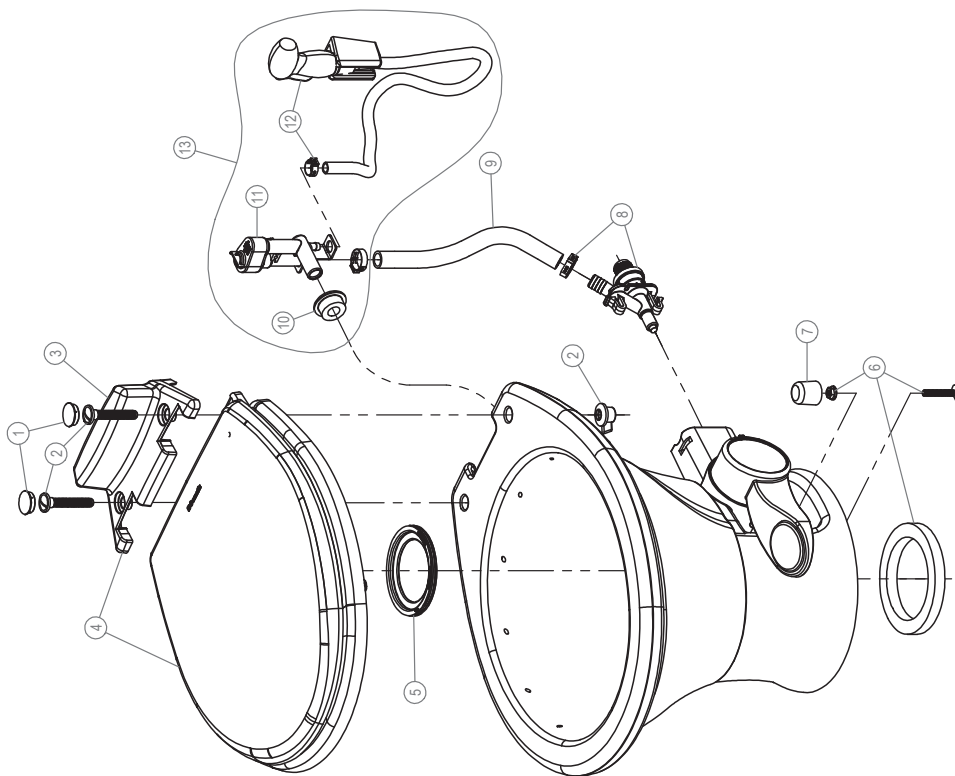


ITEM	PART NUMBER & DESCRIPTION
1	385311648 - SEAT MOUNTING COVER - WHITE 385311649 - SEAT MOUNTING COVER - BONE
2	385311650 - SEAT MOUNTING HARDWARE - WHITE 385311651 - SEAT MOUNTING HARDWARE - BONE **Includes Item 1.
3	385311944 - VACUUM BREAKER REPL COVER - WHITE 385311945 - VACUUM BREAKER REPL COVER - BONE **Includes Items 1 & 3.
4	385311949 - SEAT/COVER REPLACEMENT - WHITE 385311950 - SEAT/COVER REPLACEMENT - BONE **Includes Items 1, 2, & 3.
5	385311658 - FLUSH BALL SEAL
6	385311652 - MTG HARDWARE & FLOOR SEAL - WHITE 385311653 - MTG HARDWARE & FLOOR SEAL - BONE **Includes Item 7.
7	385311654 - FLOOR BOLT CAP - WHITE 385311655 - FLOOR BOLT CAP - BONE
8	385311641 - WATER VALVE KIT
9	385311937 - BOWL SUPPLY HOSE **Includes Mounting Clamps.
10	38531164 - 1/2" SEALING GROMMET
11	385316906 - VACUUM BREAKER KIT **Includes Item 10.

Domestic Corporation - Sanitation Systems
13128 State Rt. 226, P. O. Box 38
Big Prairie, OH 44611-0038 USA
Telephone: 330-439-5550
Fax: 330-496-3097
Email: sealand@domesticusa.com

P/N: 600347272
REV.: 01-02/16

PARTS LIST: 311/311S LOW-PROFILE GRAVIFY FLUSH TOILET w/WOOD SEAT



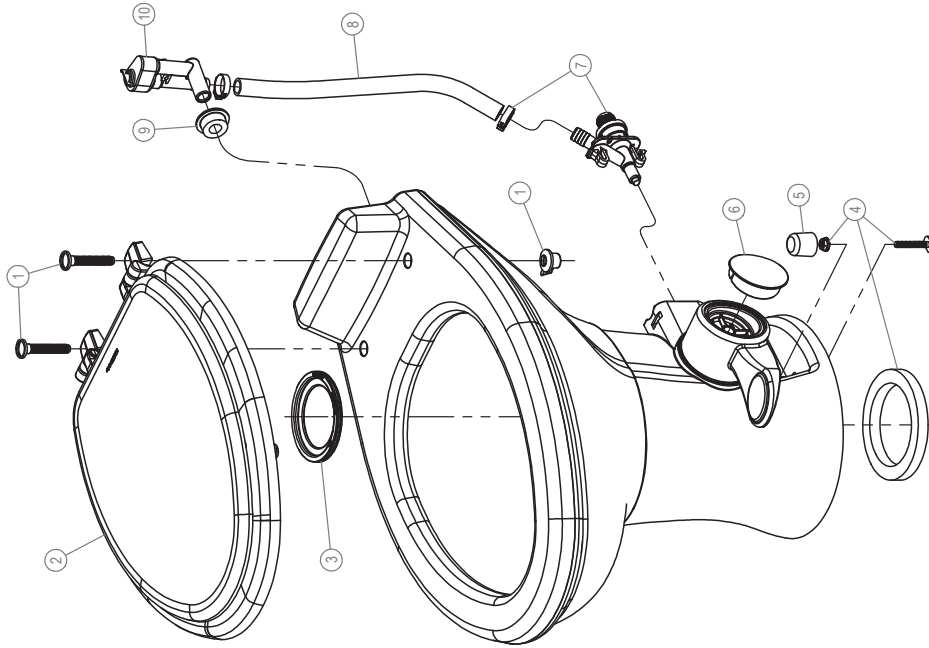
ITEM	PART NUMBER & DESCRIPTION
1	385311648 - SEAT MOUNTING COVER - WHITE 385311649 - SEAT MOUNTING COVER - BONE
2	385311650 - SEAT MOUNTING HARDWARE - WHITE 385311651 - SEAT MOUNTING HARDWARE - BONE **Includes Item 1.
3	385311944 - VACUUM BREAKER REPL COVER - WHITE 385311945 - VACUUM BREAKER REPL COVER - BONE **Includes Items 1 & 3.
4	385311949 - SEAT/COVER REPLACEMENT - WHITE 385311950 - SEAT/COVER REPLACEMENT - BONE **Includes Items 1, 2, & 3.
5	385311658 - FLUSH BALL SEAL
6	385311652 - MTG HARDWARE & FLOOR SEAL - WHITE 385311653 - MTG HARDWARE & FLOOR SEAL - BONE **Includes Item 7.
7	385311654 - FLOOR BOLT CAP - WHITE 385311655 - FLOOR BOLT CAP - BONE
8	385311641 - WATER VALVE KIT
9	385311937 - BOWL SUPPLY HOSE **Includes Mounting Clamps.
10	385311164 - 1/2" SEALING GROMMET
11	385230335 - VACUUM BREAKER KIT(for sprayer option) **Includes Item 10.
12**	385311124 - HAND SPRAYER - WHITE **Includes Mounting Bracket.
13**	385319054 - HAND SPRAY KIT w/VAC BREAKER - WHITE **Includes Items 10, 11, & 12C3 .

**Items 12 & 13 are Optional Accessories;
Not Provided with Every Model.

Domestic Corporation - Sanitation Systems
13128 State Rt. 226, P.O. Box 38
Big Prairie, OH 44611-0038 USA
Telephone: 330-439-5550
Fax: 330-496-3097
Email: sealand@domesticusa.com

P/N: 600347276
REV.: 02-10/17

PARTS LIST: 320 TALL GRAVITY FLUSH TOILET



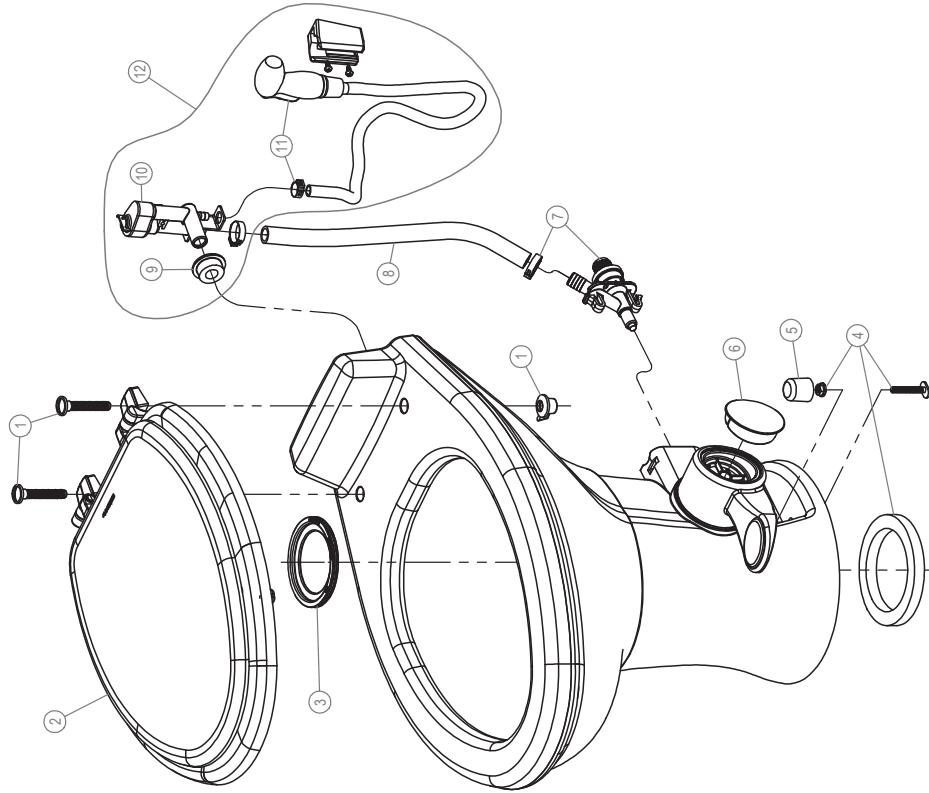
ITEM	PART NUMBER & DESCRIPTION
1	385311650 - SEAT MOUNTING HARDWARE - WHITE 385311651 - SEAT MOUNTING HARDWARE - BONE
2	385311863 - 320 SEAT/COVER REPLACEMENT - WHITE 385311864 - 320 SEAT/COVER REPLACEMENT - BONE **Includes Item 1.
3	385311658 - FLUSH BALL SEAL
4	385311652 - MTG HARDWARE & FLOOR SEAL - WHITE 385311653 - MTG HARDWARE & FLOOR SEAL - BONE **Includes Item 5.
5	385311654 - FLOOR BOLT CAP - WHITE 385311655 - FLOOR BOLT CAP - BONE
6	385311656 - PEDAL COVER - WHITE 385311657 - PEDAL COVER - BONE
7	385311641 - WATER VALVE KIT
8	385311937 - BOWL SUPPLY HOSE **Includes Mounting Clamps.
9	385311164 - 1/2" SEALING GROMMET
10	385316906 - VACUUM BREAKER KIT; WITHOUT SPRAYER **Includes Item 9.

Domestic Corporation - Sanitation Systems
13128 State Rt. 226, P.O. Box 38
Big Prairie, OH 44611-0038 USA
Telephone: 330-439-5550
Fax: 330-496-3087
Email: sealand@domesticusa.com

PARTS LIST: 320 TALL GRAVITY FLUSH TOILET

ITEM	PART NUMBER & DESCRIPTION
1	385311650 - SEAT MOUNTING HARDWARE - WHITE 385311651 - SEAT MOUNTING HARDWARE - BONE
2	385311863 - 320 SEAT/COVER REPLACEMENT - WHITE 385311864 - 320 SEAT/COVER REPLACEMENT - BONE **Includes Item 1.
3	385311658 - FLUSH BALL SEAL
4	385311652 - MTG HARDWARE & FLOOR SEAL - WHITE 385311653 - MTG HARDWARE & FLOOR SEAL - BONE **Includes Item 5.
5	385311654 - FLOOR BOLT CAP - WHITE 385311655 - FLOOR BOLT CAP - BONE
6	385311656 - PEDAL COVER - WHITE 385311657 - PEDAL COVER - BONE
7	385311641 - WATER VALVE KIT
8	385311937 - BOWL SUPPLY HOSE **Includes Mounting Clamps.
9	385311164 - 1/2" SEALING GROMMET
10	385230335 - VACUUM BREAKER KIT (for sprayer option) **Includes Item 9C3.
11**	385311124 - HAND SPRAYER - WHITE **Includes Mounting Bracket.
12**	385319054 - HAND SPRAY KIT w/VAC BREAKER - WHITE **Includes Items 9, 10, & 11.

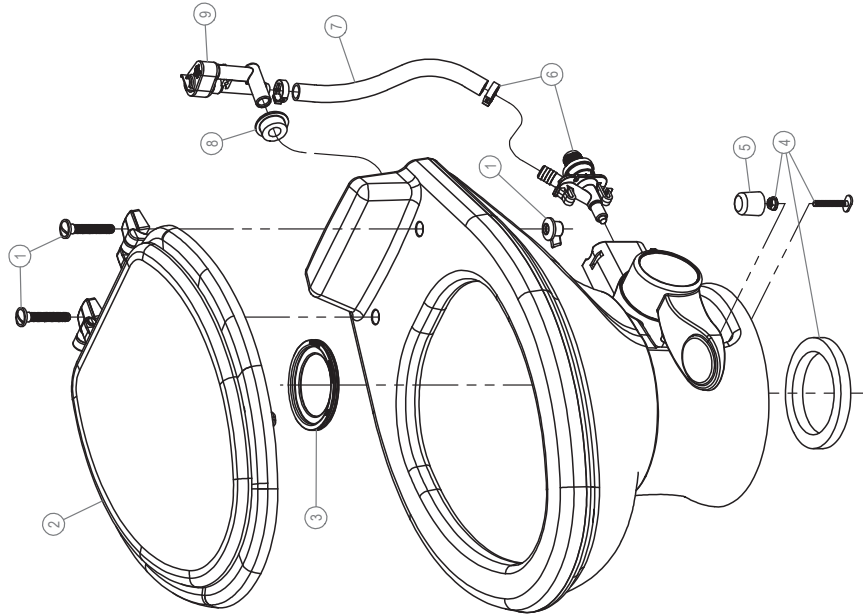
**Items 11 & 12 are optional accessories;
not provided with every model.



P/N: 600346657
REV.: 03-03/16

PARTS LIST: 321 & 321S LOW-PROFILE GRAVITY TOILET

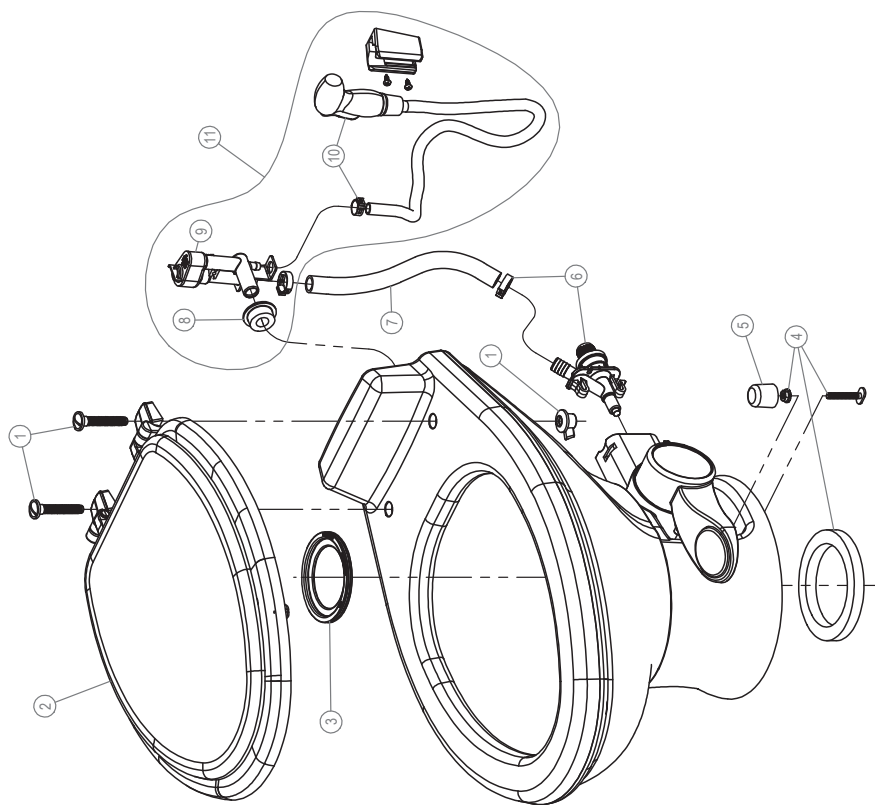
ITEM	PART NUMBER & DESCRIPTION
1	385311650 - SEAT MOUNTING HARDWARE - WHITE 385311651 - SEAT MOUNTING HARDWARE - BONE
2	385311863 - 320 SEAT/COVER REPLACEMENT - WHITE 385311864 - 320 SEAT/COVER REPLACEMENT - BONE **Includes Item 1.
3	385311658 - FLUSH BALL SEAL
4	385311652 - MTG HARDWARE & FLOOR SEAL - WHITE 385311653 - MTG HARDWARE & FLOOR SEAL - BONE **Includes Item 5.
5	385311654 - FLOOR BOLT CAP - WHITE 385311655 - FLOOR BOLT CAP - BONE
6	385311641 - WATER VALVE KIT
7	385311937 - BOWL SUPPLY HOSE **Includes Mounting Clamps.
8	385311164 - 1/2" SEALING GROMMET
9	385316906 - VACUUM BREAKER KIT; WITHOUT SPRAYER **Includes Item #8.



Domestic Corporation - Sanitation Systems
13128 State Rt. 226, P.O. Box 38
Big Prairie, OH 44611-0038 USA
Telephone: 330-439-5550
Fax: 330-496-3097
Email: sealand@domesticusa.com

P/N: 600346657
REV.: 03-03/16

PARTS LIST: 321 & 321S LOW-PROFILE GRAVITY TOILET



ITEM	PART NUMBER & DESCRIPTION
1	385311650 - SEAT MOUNTING HARDWARE - WHITE 385311651 - SEAT MOUNTING HARDWARE - BONE
2	385311863 - 320 SEAT/COVER REPLACEMENT - WHITE 385311864 - 320 SEAT/COVER REPLACEMENT - BONE **Includes Item 1.
3	385311658 - FLUSH BALL SEAL
4	385311652 - MTG HARDWARE & FLOOR SEAL - WHITE 385311653 - MTG HARDWARE & FLOOR SEAL - BONE **Includes Item 5.
5	385311654 - FLOOR BOLT CAP - WHITE 385311655 - FLOOR BOLT CAP - BONE
6	385311641 - WATER VALVE KIT
7	385311937 - BOWL SUPPLY HOSE **Includes Mounting Clamps.
8	385311164 - 1/2" SEALING GROMMET
9	385230335 - VACUUM BREAKER KIT (for sprayer option) **Includes Item 8.
10**	385311124 - HAND SPRAYER - WHITE **Includes Mounting Bracket.
11**	385319054 - HAND SPRAY KIT w/VAC BREAKER - WHITE **Includes Items 8, 9, & 10.

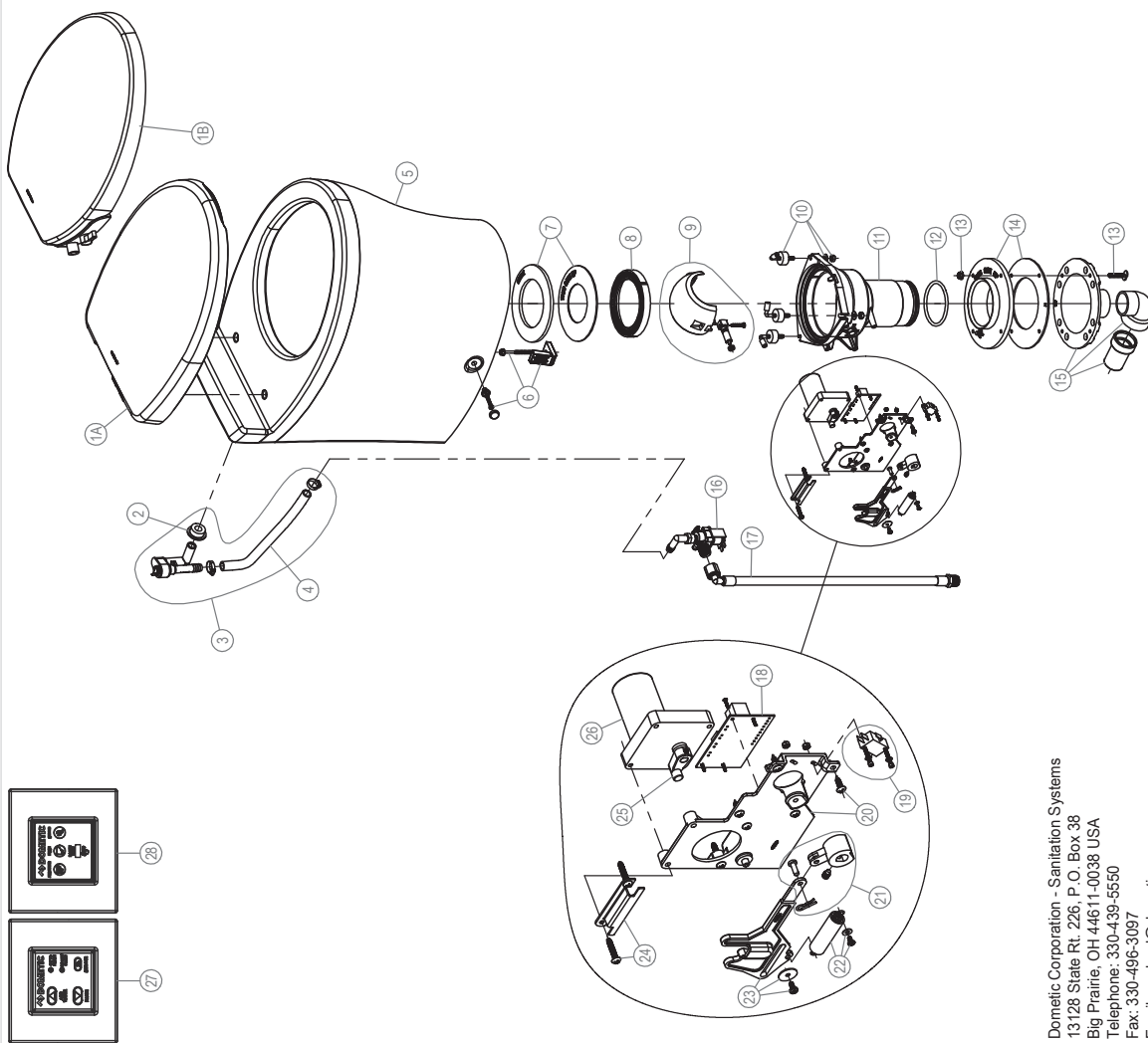
**Item 11 & 12 are optional accessories; not provided with every model.

Dometic Corporation - Sanitation Systems
13128 State Rt. 226, P.O. Box 38
Big Prairie, OH 44611-0038 USA
Telephone: 330-439-5550
Fax: 330-496-3097
Email: seatland@dometicus.com

P/N: 600347520
REV.: 01-01/19

PARTS LIST: 4509 TALL VACUFLUSH TOILET

ITEM	PART NUMBER & DESCRIPTION
1A	385312152 - MODERNO SEAT/COVER SOFT-CLOSE - WHITE **Includes Mounting Hardware.
1B	385312156 - MODERNO BIDET SEAT - WHT **Includes Mounting Hardware.
2	385311164 - 1/2" SEALING GROMMET
3	385310807 - VACUUM BREAKER KIT **Includes Items 2 & 4.
4	385311869 - BOWL SUPPLY HOSE **Includes Mounting Clamps.
5	385312154 - MODERNO TALL SERIES BOWL KIT - WHITE
6	385311463 - BOWL MOUNTING HARDWARE KIT
7	385311009 - FLUSH BALL SEAL REPL KIT **Includes Item 10.
8	385311292 - BASE FLUSH BALL RING KIT
9	385310969 - FLUSH BALL/SHAFT REPL KIT
10	385311011 - BASE TO BOWL MOUNTING HARDWARE
11	385311397 - '09 PLUG-IN BASE KIT w/VAC BRKR-12v 385311398 - '09 PLUG-IN BASE KIT w/VAC BRKR-24v **Includes 3; 7-11 & 16-26
12	385311294 - BASE O'RING REPL KIT
13	385310064 - FLOOR FLANGE MOUNTING HARDWARE
14	385311013 - FLOOR FLANGE ADAPTER KIT **Includes Item 13.
15	385318864 - VACUFLUSH FUNNEL KIT **Includes Items 8.
16	385311545 - WATER VALVE KIT - 12VDC 385311546 - WATER VALVE KIT - 24VDC
17	385311547 - WATER SUPPLY HOSE REPLACEMENT
18	385311690 - 12VDC & 24VDC CONTROL MODULE
19	385311673 - FLUSH ACTUATION SWITCH
20	385311394 - FLUSH MECHANISM w/MTG BRACKET **Includes Items 19; 21; 22; 23; 24.
21	385311296 - FLUSH BALL CAM REPL KIT
22	385311393 - FLUSH MECHANISM RETURN SPRING
23	385311392 - FLUSH MECHANISM LINKAGE
24	385311429 - FLUSH LINKAGE GUIDE BRACKET
25	385311299 - MOTOR DRIVE ARM REPL KIT
26	385311300 - MOTOR REPLACEMENT KIT - 12VDC 385311390 - MOTOR REPLACEMENT KIT - 24VDC **Includes Item 26.
27	313408010 - VF CONTROL PNL STD - GRAY 313408020 - VF CONTROL PNL STD - WHITE
28	313418010 - VF SHW CONTROL PNL STD - BLK 313418020 - VF SHW CONTROL PNL STD - WHT

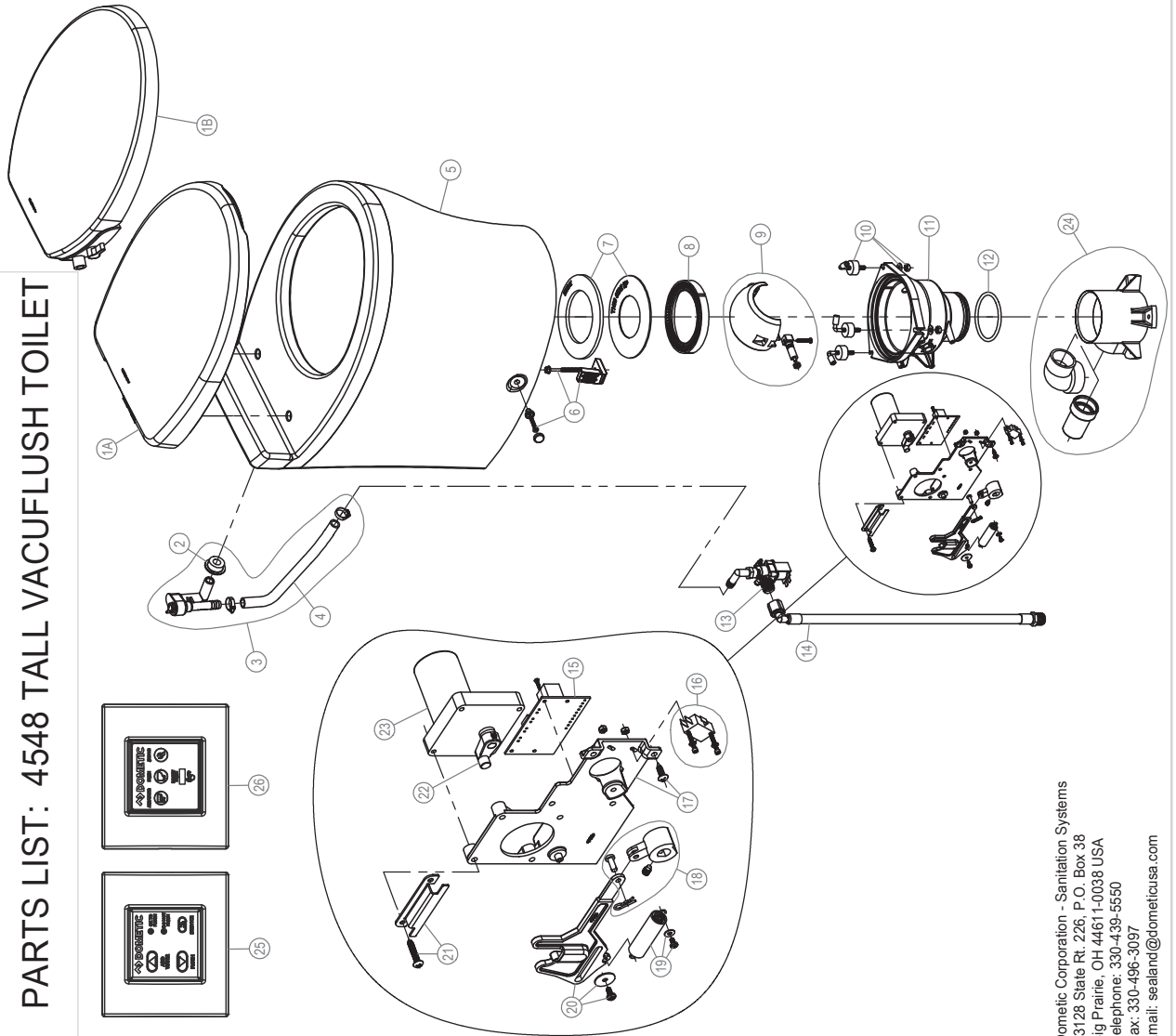


Dometic Corporation - Sanitation Systems
13128 State Rt. 226, P.O. Box 38
Big Prairie, OH 44611-0038 USA
Telephone: 330-439-5550
Fax: 330-496-3097
Email: sealand@dometicusa.com

P/N: 600347516
REV.: 02-01/19

PARTS LIST: 4548 TALL VACUFLUSH TOILET

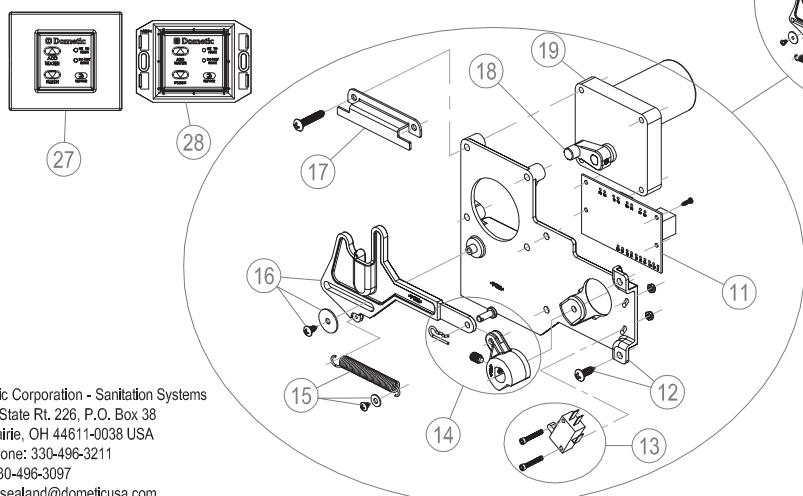
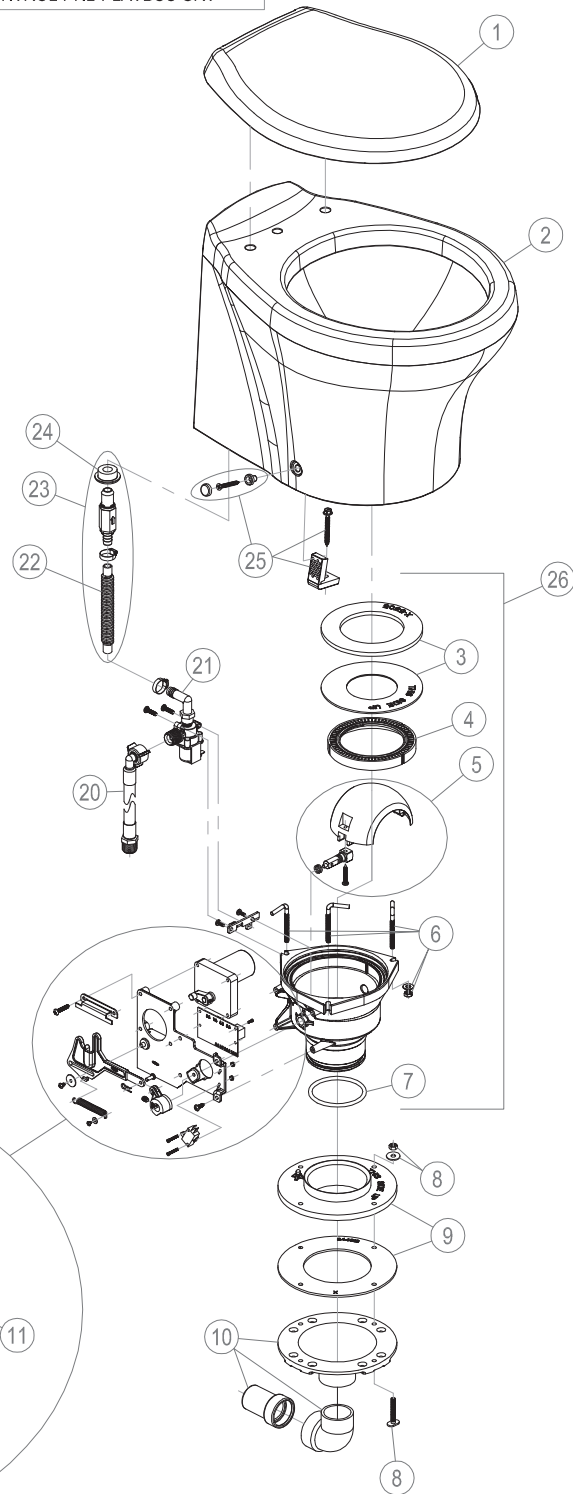
ITEM	PART NUMBER & DESCRIPTION
1A	385312152 - MODERNO SEAT/COVER SOFT-CLOSE - WHITE **Includes Mounting Hardware
1B	385312156 - MODERNO BIDET SEAT - WHT **Includes Mounting Hardware (Model 4548 w/ Bidet).
2	385311164 - 1/2" SEALING GROMMET
3	385310807 - VACUUM BREAKER KIT **Includes Items 2 & 4.
4	385311869 - BOWL SUPPLY HOSE **Includes Mounting Clamps.
5	385312154 - MODERNO TALL SERIES BOWL KIT - WHITE
6	385311463 - BOWL MOUNTING HARDWARE KIT
7	385311009 - FLUSH BALL SEAL REPL KIT **Includes Item 10.
8	385311292 - BASE FLUSH BALL RING KIT
9	385310969 - FLUSH BALL/SHAFT REPL KIT
10	385311011 - BASE TO BOWL MOUNTING HARDWARE
11	385311754 - 48 PLUG-IN BASE KIT w/VAC BRKR-R-12v 385311755 - 48 PLUG-IN BASE KIT w/VAC BRKR-R-24v **Includes 3 & 7-23.
12	385311294 - BASE O'RING REPL KIT
13	385311545 - WATER VALVE KIT - 12VDC 385311546 - WATER VALVE KIT - 24VDC
14	385311547 - WATER SUPPLY HOSE REPLACEMENT
15	385311690 - 12VDC & 24VDC CONTROL MODULE
16	385311673 - FLUSH ACTUATION SWITCH
17	385311394 - FLUSH MECHANISM w/MTG BRACKET **Includes Items 16, 18, 19, 20, 21.
18	385311296 - FLUSH BALL CAM REPL KIT
19	385311393 - FLUSH MECHANISM RETURN SPRING
20	385311392 - FLUSH MECHANISM LINKAGE
21	385311429 - FLUSH LINKAGE GUIDE BRACKET
22	385311299 - MOTOR DRIVE ARM REPL KIT
23	385311300 - MOTOR REPLACEMENT KIT - 12VDC 385311390 - MOTOR REPLACEMENT KIT - 24VDC **Includes Item 21.
24	385311056 - DISCHARGE ADAPTER KIT (ABOVE FLOOR) **Includes Mounting Hardware.
25	313408010 - VF CONTROL PNL STD - GRAY 313408020 - VF CONTROL PNL STD - WHITE
26	313418010 - VF SHW CONTROL PNL STD - BLK 313418020 - VF SHW CONTROL PNL STD - WHT



Dometic Corporation - Sanitation Systems
13128 State Rt. 226, P.O. Box 38
Big Prairie, OH 44611-0038 USA
Telephone: 330-439-5550
Fax: 330-496-3097
Email: sealano@dometicus.com

PARTS LIST: 4606 MODEL SERIES

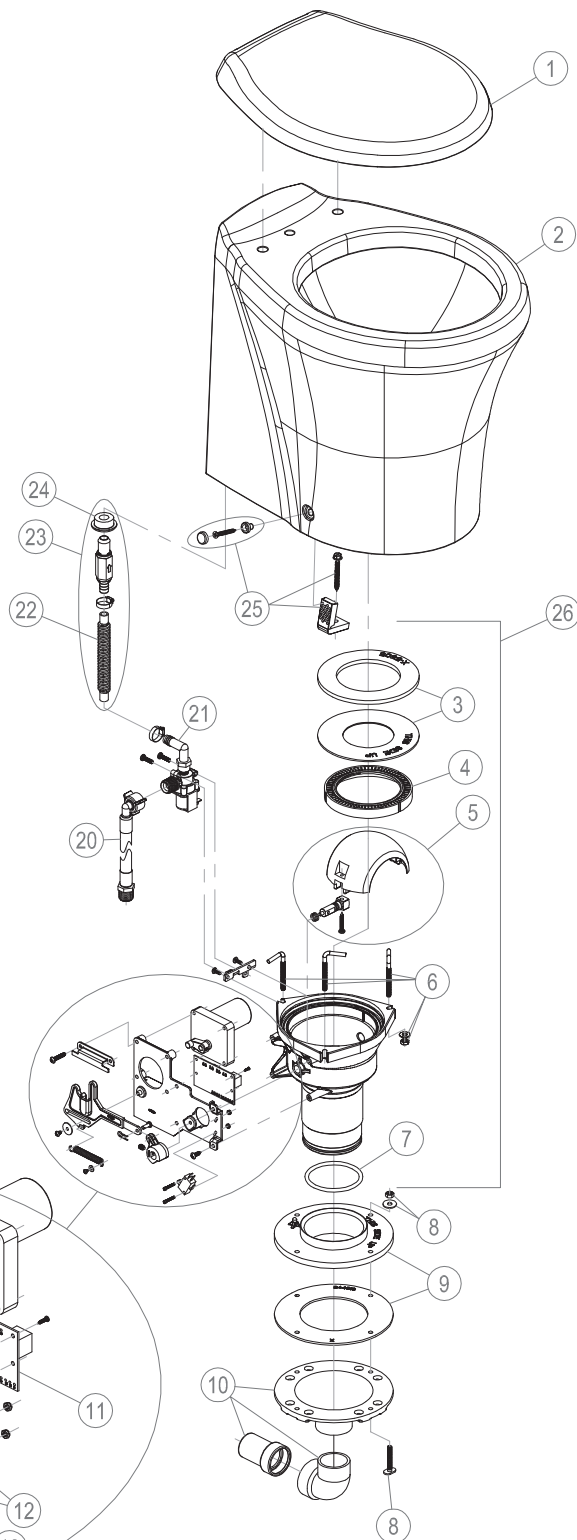
ITEM	PART NUMBER & DESCRIPTION		
		27	313408010 VF CONTROL PNL-STD GRAY 313408020 VF CONTROL PNL-STD WHT
1	385311618 SEAT/COVER SLOW-CLOSE - WHITE 385311619 SEAT/COVER SLOW-CLOSE - BONE	28	313408030 VF CONTROL PNL-PLAYBUS GRAY
2	385311867 4600 SHORT BOWL KIT - WHITE 385311868 4600 SHORT BOWL KIT - BONE		
3	385311009 FLUSH BALL SEAL REPL KIT **INCLUDES ITEMS 6.		
4	385311292 BASE FLUSH BALL RING KIT		
5	385310969 FLUSH BALL/SHAFT REPL KIT		
6	385311011 BASE TO BOWL MOUNTING HARDWARE		
7	385311294 BASE O'RING REPL KIT		
8	385310064 FLOOR FLANGE MOUNTING HARDWARE		
9	385311013 FLOOR FLANGE ADAPTER KIT **INCLUDES ITEMS 8.		
10	385318864 VF FUNNEL KIT **INCLUDES ITEMS 8.		
11	385311690 CONTROL MODULE		
12	385311394 FLUSH MECHANISM w/MTG BRACKET **INCLUDES ITEMS 13, 14, 15, 16, 17.		
13	385311673 FLUSH ACTUATION SWITCH		
14	385311296 FLUSH BALL CAM REPL KIT		
15	385311393 FLUSH MECHANISM RETURN SPRING		
16	385311392 FLUSH MECHANISM LINKAGE		
17	385311429 FLUSH LINKAGE GUIDE BRACKET		
18	385311299 MOTOR DRIVE ARM REPL KIT		
19	385311300 MOTOR REPLACEMENT KIT - 12VDC 385311390 MOTOR REPLACEMENT KIT - 24VDC **INCLUDES ITEM 18.		
20	385311547 WATER SUPPLY HOSE		
21	385311545 WATER VALVE KIT - 12VDC 385311546 WATER VALVE KIT - 24VDC		
22	385311869 CORRUGATED SUPPLY HOSE		
23	385311384 CHECK VALVE w/HOSE **INCLUDES ITEM 22 & 24.		
24	385311164 1/2" SEALING GROMMET		
25	385311463 BOWL MOUNTING HARDWARE KIT		
26	385311395 '06 PLUG-IN BASE KIT - 12VDC 385311396 '06 PLUG-IN BASE KIT - 24VDC **INCLUDES ITEMS 3-7 & 11-23.		



Dometic Corporation - Sanitation Systems
13128 State Rt. 226, P.O. Box 38
Big Prairie, OH 44611-0038 USA
Telephone: 330-496-3211
Fax: 330-496-3097
Email: sealand@dometicusa.com

PARTS LIST: 4609 MODEL SERIES

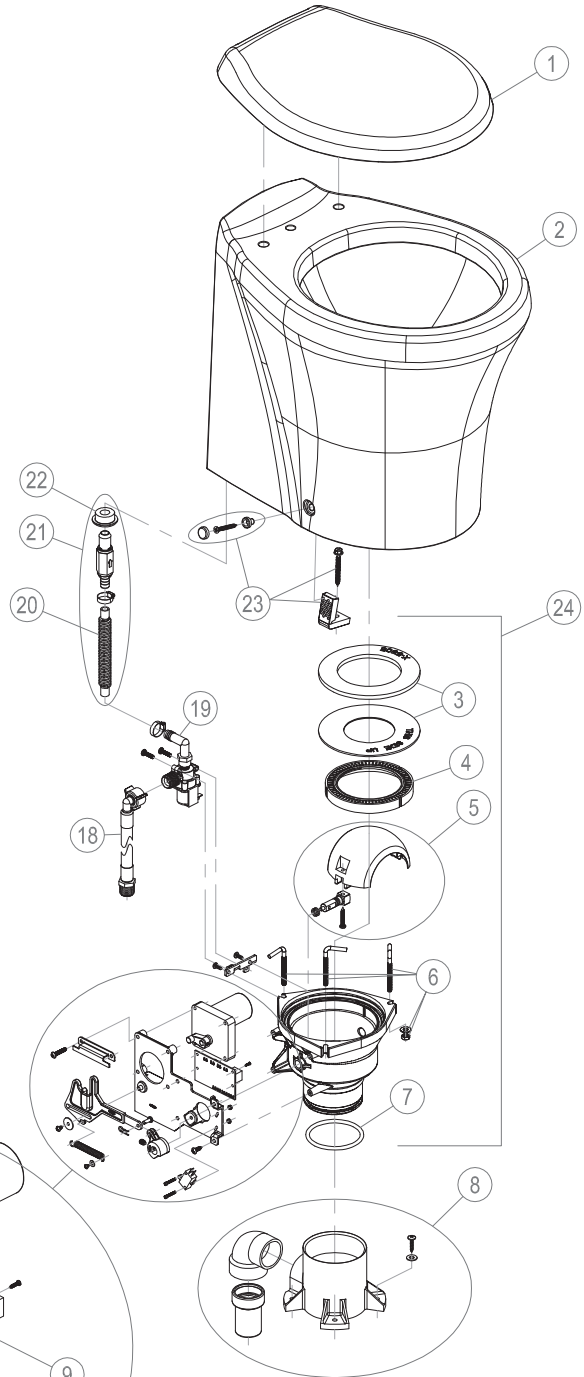
ITEM	PART NUMBER & DESCRIPTION
1	385311618 SEAT/COVER SLOW-CLOSE - WHITE 385311619 SEAT/COVER SLOW-CLOSE - BONE
2	385311870 4600 TALL BOWL KIT - WHITE 385311871 4600 TALL BOWL KIT - BONE
3	385311009 FLUSH BALL SEAL REPL KIT **INCLUDES ITEMS 6.
4	385311292 BASE FLUSH BALL RING KIT
5	385310969 FLUSH BALL/SHAFT REPL KIT
6	385311011 BASE TO BOWL MOUNTING HARDWARE
7	385311294 BASE O'RING REPL KIT
8	385310064 FLOOR FLANGE MOUNTING HARDWARE
9	385311013 FLOOR FLANGE ADAPTER KIT **INCLUDES ITEMS 8.
10	385318864 VF FUNNEL KIT **INCLUDES ITEMS 8.
11	385311690 CONTROL MODULE
12	385311394 FLUSH MECHANISM w/MTG BRACKET **INCLUDES ITEMS 13, 14, 15, 16, 17.
13	385311673 FLUSH ACTUATION SWITCH
14	385311296 FLUSH BALL CAM REPL KIT
15	385311393 FLUSH MECHANISM RETURN SPRING
16	385311392 FLUSH MECHANISM LINKAGE
17	385311429 FLUSH LINKAGE GUIDE BRACKET
18	385311299 MOTOR DRIVE ARM REPL KIT
19	385311300 MOTOR REPLACEMENT KIT - 12VDC 385311390 MOTOR REPLACEMENT KIT - 24VDC **INCLUDES ITEM 18.
20	385311547 WATER SUPPLY HOSE
21	385311545 WATER VALVE KIT - 12VDC 385311546 WATER VALVE KIT - 24VDC
22	385311869 CORRUGATED SUPPLY HOSE
23	385311384 CHECK VALVE w/HOSE **INCLUDES ITEM 22 & 24.
24	385311164 1/2" SEALING GROMMET
25	385311463 BOWL MOUNTING HARDWARE KIT
26	385311397 '09 PLUG-IN BASE KIT - 12VDC 385311398 '09 PLUG-IN BASE KIT - 24VDC **INCLUDES ITEMS 3-7 & 11-23.
27	313408010 VF CONTROL PNL-STD GRAY 313408020 VF CONTROL PNL-STD WHT
28	313408030 VF CONTROL PNL-PLAYBUS GRY



Dometic Corporation - Sanitation Systems
13128 State Rt. 226, P.O. Box 38
Big Prairie, OH 44611-0038 USA
Telephone: 330-496-3211
Fax: 330-496-3097
Email: sealand@dometicusa.com

PARTS LIST: 4648 MODEL SERIES

ITEM	PART NUMBER & DESCRIPTION
1	385311618 SEAT/COVER SLOW-CLOSE - WHITE 385311619 SEAT/COVER SLOW-CLOSE - BONE
2	385311870 4600 TALL BOWL KIT - WHITE 385311871 4600 TALL BOWL KIT - BONE
3	385311009 FLUSH BALL SEAL REPL KIT **INCLUDES ITEMS 6.
4	385311292 BASE FLUSH BALL RING KIT
5	385310969 FLUSH BALL/SHAFT REPL KIT
6	385311011 BASE TO BOWL MOUNTING HARDWARE
7	385311294 BASE O'RING REPL KIT
8	385311056 ABOVE FLOOR DISCHARGE ADAPT KIT
9	385311690 CONTROL MODULE
10	385311394 FLUSH MECHANISM w/MTG BRACKET **INCLUDES ITEMS 11, 12, 13, 14, 15.
11	385311673 FLUSH ACTUATION SWITCH
12	385311296 FLUSH BALL CAM REPL KIT
13	385311393 FLUSH MECHANISM RETURN SPRING
14	385311392 FLUSH MECHANISM LINKAGE
15	385311429 FLUSH LINKAGE GUIDE BRACKET
16	385311299 MOTOR DRIVE ARM REPL KIT
17	385311300 MOTOR REPLACEMENT KIT - 12VDC 385311390 MOTOR REPLACEMENT KIT - 24VDC **INCLUDES ITEM 16.
18	385311547 WATER SUPPLY HOSE
19	385311545 WATER VALVE KIT - 12VDC 385311546 WATER VALVE KIT - 24VDC
20	385311869 CORRUGATED SUPPLY HOSE
21	385311384 CHECK VALVE w/HOSE **INCLUDES ITEM 20 & 22.
22	385311164 1/2" SEALING GROMMET
23	385311463 BOWL MOUNTING HARDWARE KIT
24	385311399 '48 PLUG-IN BASE KIT - 12VDC 385311400 '48 PLUG-IN BASE KIT - 24VDC **INCLUDES ITEMS 3-7 & 9-21.
25	313408010 VF CONTROL PNL-STD GRAY 313408020 VF CONTROL PNL-STD WHT
26	313408030 VF CONTROL PNL-PLAYBUS GRY

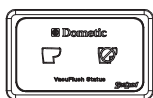
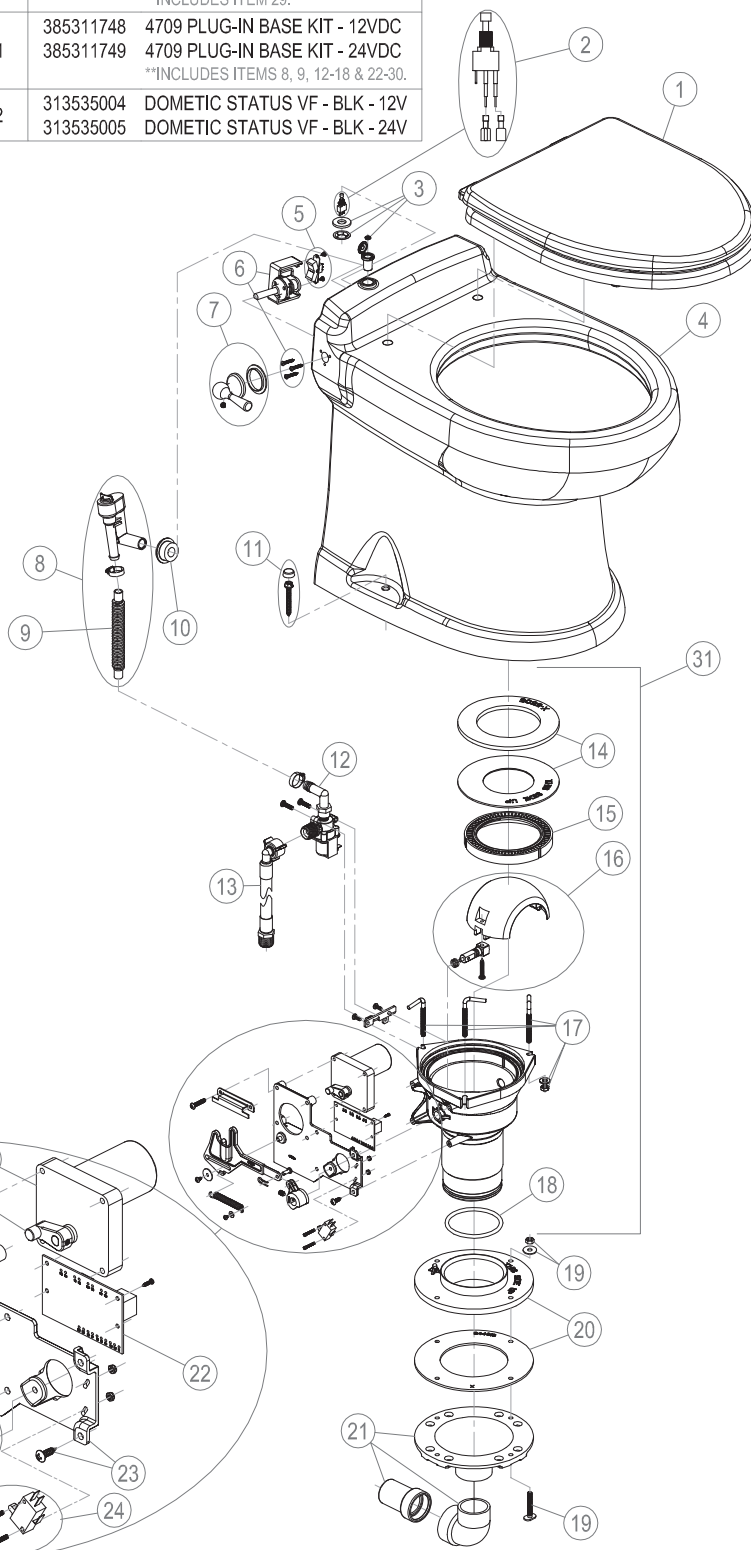


Dometic Corporation - Sanitation Systems
13128 State Rt. 226, P.O. Box 38
Big Prairie, OH 44611-0038 USA
Telephone: 330-496-3211
Fax: 330-496-3097
Email: sealand@dometicusa.com

PARTS LIST: 4709 MODEL SERIES w/FLUSH HANDLE

ITEM	PART NUMBER & DESCRIPTION
1	385311005 SEAT/COVER - WHITE 385311006 SEAT/COVER - BONE
2	385311752 SERVICE SWITCH REPLACEMENT
3	385311750 SERVICE SWITCH HOUSING - WHITE 385311751 SERVICE SWITCH HOUSING - BONE
4	385311730 4700 BOWL KIT - WHITE 385311731 4700 BOWL KIT - BONE
5	385311703 FLUSH HANDLE SWITCH w/WIRING
6	385311704 FLUSH HANDLE ASSEMBLY **INCLUDES ITEM 5.
7	385310962 FLUSH HANDLE KIT - CHROME 385310963 FLUSH HANDLE KIT - GOLD 385311141 FLUSH HANDLE KIT - NICKLE
8	385310807 VACUUM BREAKER KIT **INCLUDES ITEMS 9 & 10.
9	385311869 CORRUGATED SUPPLY HOSE
10	385311164 1/2" SEALING GROMMET
11	385311022 BOWL MOUNTING HARDWARE
12	385311545 WATER VALVE KIT - 12VDC 385311546 WATER VALVE KIT - 24VDC
13	385311547 WATER SUPPLY HOSE
14	385311009 FLUSH BALL SEAL REP'L KIT **INCLUDES ITEMS 17.
15	385311292 BASE FLUSH BALL RING KIT
16	385310969 FLUSH BALL/SHAFT REP'L KIT
17	385311011 BASE TO BOWL MOUNTING HARDWARE
18	385311294 BASE O'RING REP'L KIT
19	385310064 FLOOR FLANGE MOUNTING HARDWARE
20	385311013 FLOOR FLANGE ADAPTER KIT **INCLUDES ITEMS 19.
21	385318864 VF FUNNEL KIT **INCLUDES ITEMS 19.
22	385311690 CONTROL MODULE
23	385311394 FLUSH MECHANISM w/MTG BRACKET **INCLUDES ITEMS 24, 25, 26, 27, 28.
24	385311673 FLUSH ACTUATION SWITCH
25	385311296 FLUSH BALL CAM REP'L KIT
26	385311393 FLUSH MECHANISM RETURN SPRING
27	385311392 FLUSH MECHANISM LINKAGE
28	385311429 FLUSH LINKAGE GUIDE BRACKET
29	385311299 MOTOR DRIVE ARM REP'L KIT

30	385311300 MOTOR REP'L KIT - 12VDC 385311390 MOTOR REP'L KIT - 24VDC **INCLUDES ITEM 29.
31	385311748 4709 PLUG-IN BASE KIT - 12VDC 385311749 4709 PLUG-IN BASE KIT - 24VDC **INCLUDES ITEMS 8, 9, 12-18 & 22-30.
32	313535004 DOMETIC STATUS VF - BLK - 12V 313535005 DOMETIC STATUS VF - BLK - 24V

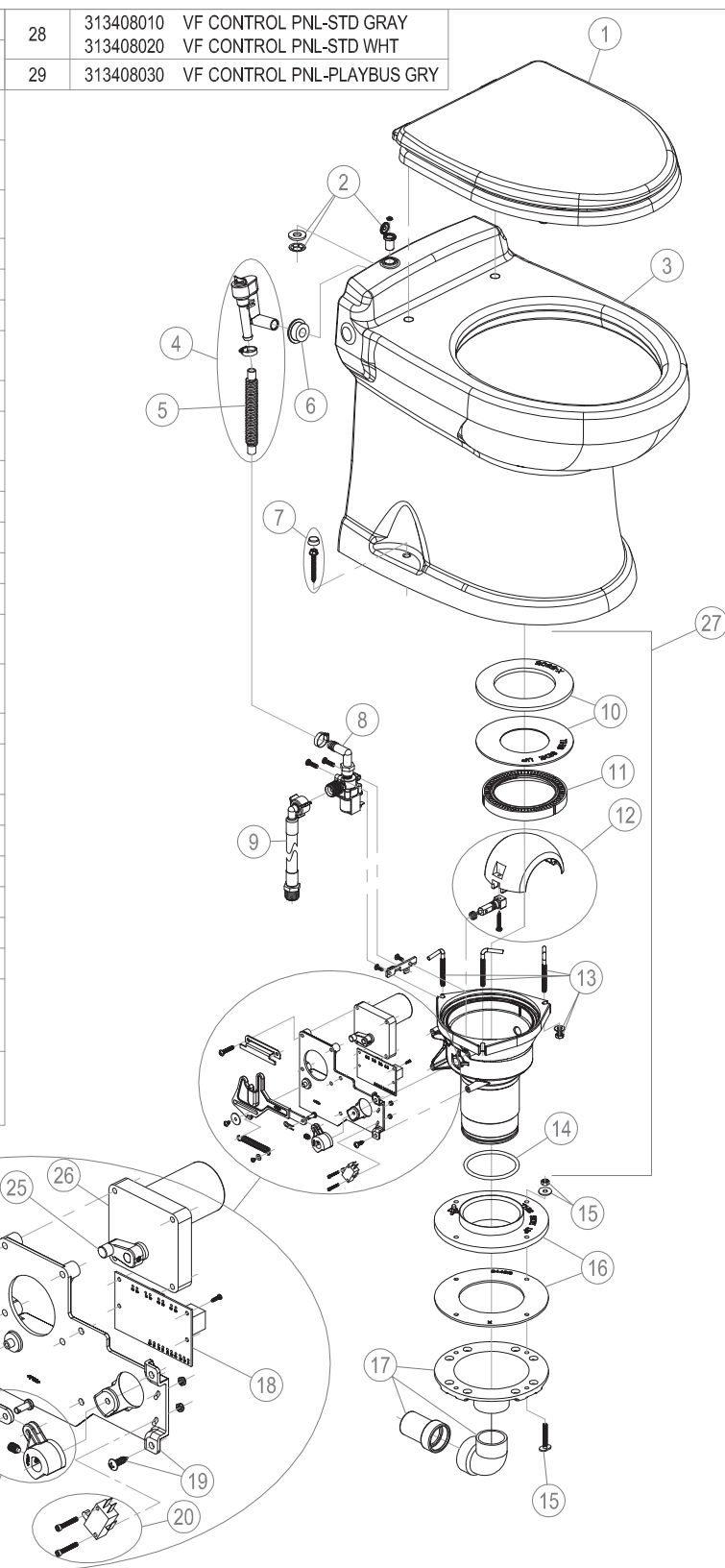


32

Dometic Corporation -
Sanitation Systems
13128 State Rt. 226, P.O. Box 38
Big Prairie, OH 44611-0038 USA
Telephone: 330-496-3211
Fax: 330-496-3097
Email: sealand@dometicusa.com

PARTS LIST: 4709 MODEL SERIES w/FLUSH SWITCH

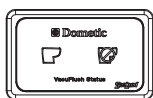
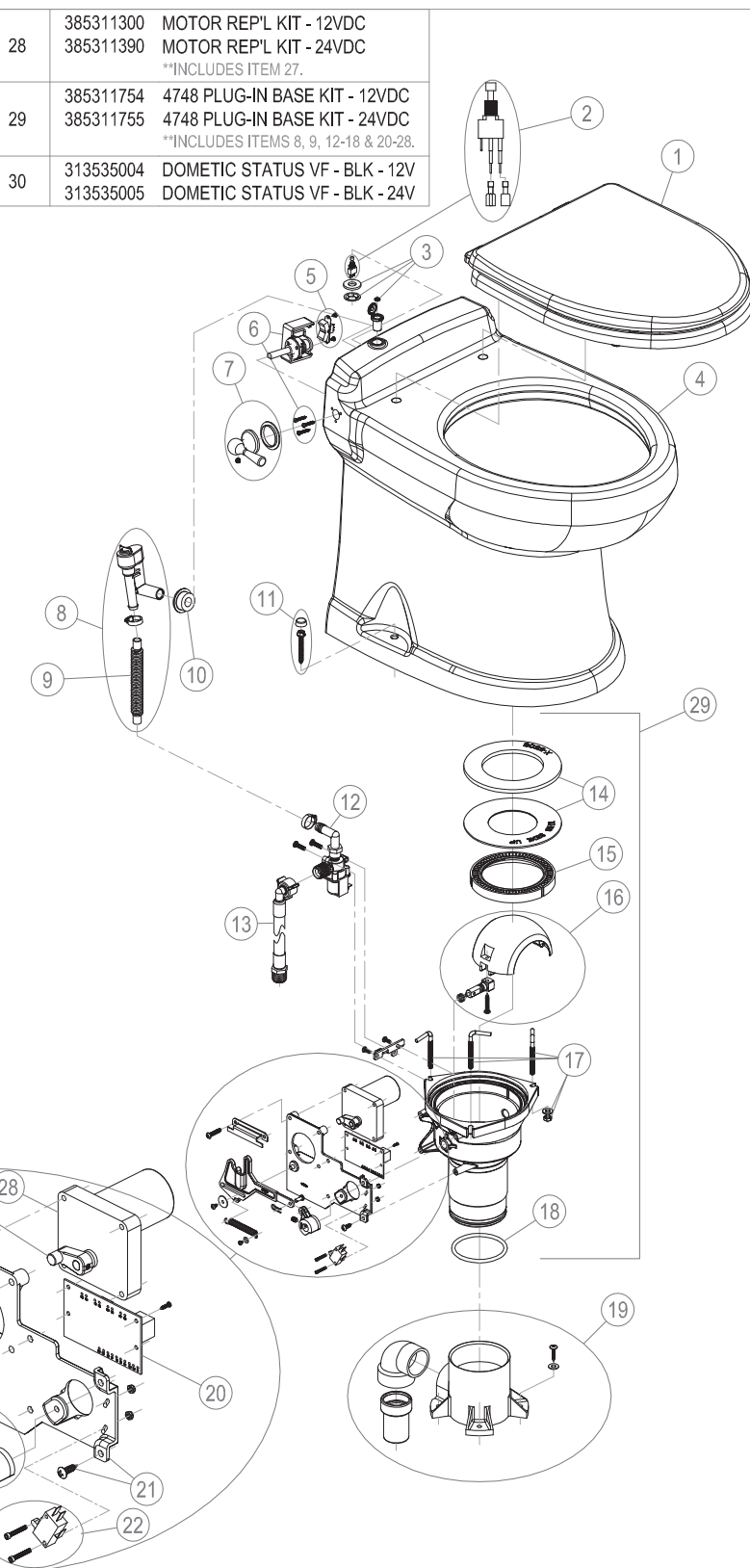
ITEM	PART NUMBER & DESCRIPTION
1	385311005 SEAT/COVER - WHITE
	385311006 SEAT/COVER - BONE
	385311750 SERVICE SWITCH HOUSING - WHITE
2	385311751 SERVICE SWITCH HOUSING - BONE
	385311730 4700 BOWL KIT - WHITE
3	385311731 4700 BOWL KIT - BONE
	385310807 VACUUM BREAKER KIT **INCLUDES ITEMS 5 & 6.
4	385311869 CORRUGATED SUPPLY HOSE
5	385311164 1/2" SEALING GROMMET
6	385311022 BOWL MOUNTING HARDWARE
7	385311545 WATER VALVE KIT - 12VDC
	385311546 WATER VALVE KIT - 24VDC
8	385311547 WATER SUPPLY HOSE
9	385311009 FLUSH BALL SEAL REPL KIT **INCLUDES ITEMS 13.
10	385311292 BASE FLUSH BALL RING KIT
11	385310969 FLUSH BALL/SHAFT REPL KIT
12	385311011 BASE TO BOWL MOUNTING HARDWARE
13	385311294 BASE O'RING REPL KIT
14	385310064 FLOOR FLANGE MOUNTING HARDWARE
15	385311013 FLOOR FLANGE ADAPTER KIT **INCLUDES ITEMS 15.
16	385318864 VF FUNNEL KIT **INCLUDES ITEMS 15.
17	385311690 CONTROL MODULE
18	385311394 FLUSH MECHANISM w/MTG BRACKET **INCLUDES ITEMS 20, 21, 22, 23, 24.
19	385311673 FLUSH ACTUATION SWITCH
20	385311296 FLUSH BALL CAM REPL KIT
21	385311393 FLUSH MECHANISM RETURN SPRING
22	385311392 FLUSH MECHANISM LINKAGE
23	385311429 FLUSH LINKAGE GUIDE BRACKET
24	385311299 MOTOR DRIVE ARM REPL KIT
25	385311300 MOTOR REPLACEMENT KIT - 12VDC
	385311390 MOTOR REPLACEMENT KIT - 24VDC **INCLUDES ITEM 25.
26	385311748 4709 PLUG-IN BASE KIT - 12VDC
	385311749 4709 PLUG-IN BASE KIT - 24VDC **INCLUDES ITEMS 4, 5, 8-14 & 18-26.



Dometic Corporation - Sanitation Systems
13128 State Rt. 226, P.O. Box 38
Big Prairie, OH 44611-0038 USA
Telephone: 330-496-3211
Fax: 330-496-3097
Email: sealand@dometicusa.com

PARTS LIST: 4748 MODEL SERIES w/FLUSH HANDLE

ITEM	PART NUMBER & DESCRIPTION
1	385311005 SEAT/COVER - WHITE 385311006 SEAT/COVER - BONE
2	385311752 SERVICE SWITCH REPLACEMENT
3	385311750 SERVICE SWITCH HOUSING - WHITE 385311751 SERVICE SWITCH HOUSING - BONE
4	385311730 4700 BOWL KIT - WHITE 385311731 4700 BOWL KIT - BONE
5	385311703 FLUSH HANDLE SWITCH w/WIRING
6	385311704 FLUSH HANDLE ASSEMBLY **INCLUDES ITEM 5.
7	385310962 FLUSH HANDLE KIT - CHROME 385310963 FLUSH HANDLE KIT - GOLD 385311141 FLUSH HANDLE KIT - NICKLE
8	385310807 VACUUM BREAKER KIT **INCLUDES ITEMS 9 & 10.
9	385311869 CORRUGATED SUPPLY HOSE
10	385311164 1/2" SEALING GROMMET
11	385311022 BOWL MOUNTING HARDWARE
12	385311545 WATER VALVE KIT - 12VDC 385311546 WATER VALVE KIT - 24VDC
13	385311547 WATER SUPPLY HOSE
14	385311009 FLUSH BALL SEAL REP'L KIT **INCLUDES ITEMS 17.
15	385311292 BASE FLUSH BALL RING KIT
16	385310969 FLUSH BALL/SHAFT REP'L KIT
17	385311011 BASE TO BOWL MOUNTING HARDWARE
18	385311294 BASE O'RING REP'L KIT
19	385311056 ABOVE FLOOR DISCHARGE ADAPT KIT
20	385311690 CONTROL MODULE
21	385311394 FLUSH MECHANISM w/MTG BRACKET **INCLUDES ITEMS 22, 23, 24, 25, 26.
22	385311673 FLUSH ACTUATION SWITCH
23	385311296 FLUSH BALL CAM REP'L KIT
24	385311393 FLUSH MECHANISM RETURN SPRING
25	385311392 FLUSH MECHANISM LINKAGE
26	385311429 FLUSH LINKAGE GUIDE BRACKET
27	385311299 MOTOR DRIVE ARM REP'L KIT

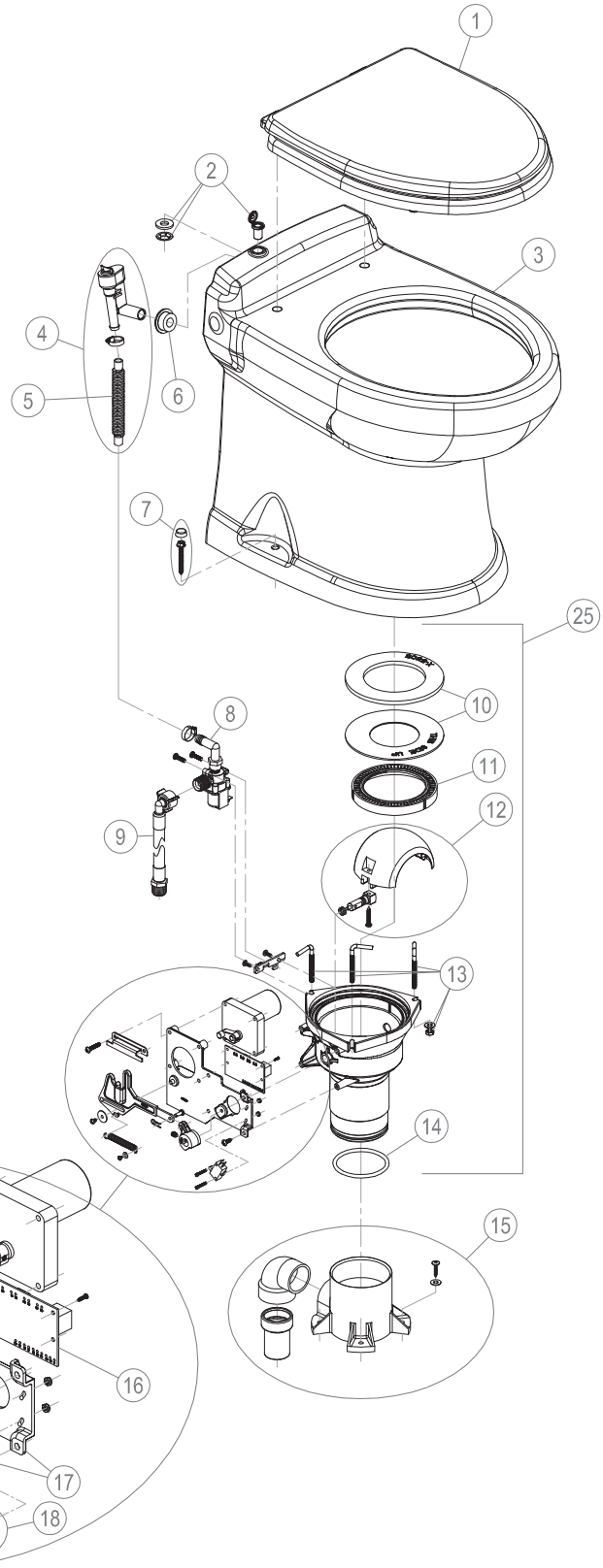


30

Domestic Corporation -
Sanitation Systems
13128 State Rt. 226, P.O. Box 38
Big Prairie, OH 44611-0038 USA
Telephone: 330-496-3211
Fax: 330-496-3097
Email: sealand@dometicusa.com

PARTS LIST: 4748 MODEL SERIES w/FLUSH SWITCH

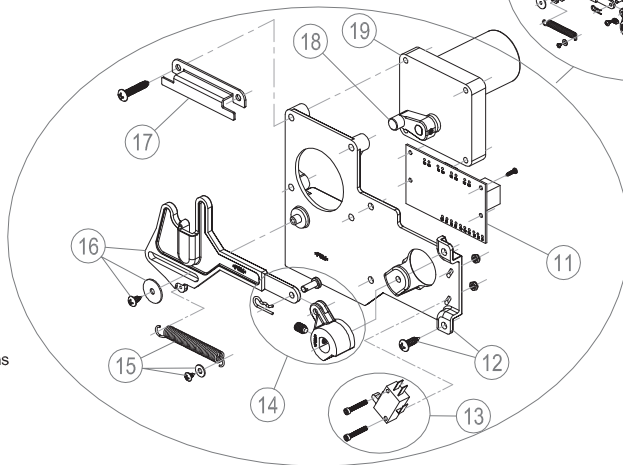
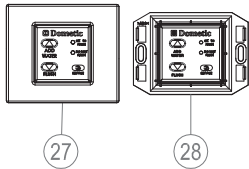
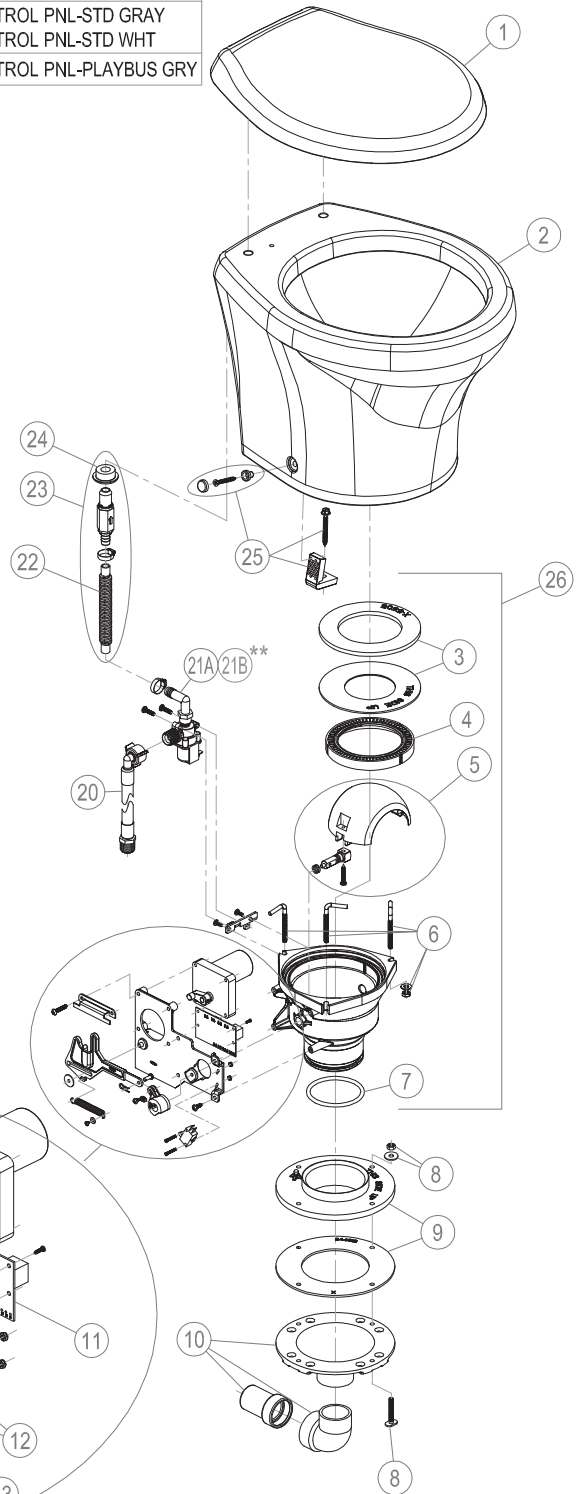
ITEM	PART NUMBER & DESCRIPTION
1	385311005 SEAT/COVER - WHITE 385311006 SEAT/COVER - BONE
2	385311750 SERVICE SWITCH HOUSING - WHITE 385311751 SERVICE SWITCH HOUSING - BONE
3	385311730 4700 BOWL KIT - WHITE 385311731 4700 BOWL KIT - BONE
4	385310807 VACUUM BREAKER KIT **INCLUDES ITEMS 5 & 6.
5	385311869 CORRUGATED SUPPLY HOSE
6	385311164 1/2" SEALING GROMMET
7	385311022 BOWL MOUNTING HARDWARE
8	385311545 WATER VALVE KIT - 12VDC 385311546 WATER VALVE KIT - 24VDC
9	385311547 WATER SUPPLY HOSE
10	385311009 FLUSH BALL SEAL REPL KIT **INCLUDES ITEMS 13.
11	385311292 BASE FLUSH BALL RING KIT
12	385310969 FLUSH BALL/SHAFT REPL KIT
13	385311011 BASE TO BOWL MOUNTING HARDWARE
14	385311294 BASE O-RING REPL KIT
15	385311056 ABOVE FLOOR DISCHARGE ADAPT KIT
16	385311690 CONTROL MODULE
17	385311394 FLUSH MECHANISM w/MTG BRACKET **INCLUDES ITEMS 18, 19, 20, 21, 22.
18	385311673 FLUSH ACTUATION SWITCH
19	385311296 FLUSH BALL CAM REPL KIT
20	385311393 FLUSH MECHANISM RETURN SPRING
21	385311392 FLUSH MECHANISM LINKAGE
22	385311429 FLUSH LINKAGE GUIDE BRACKET
23	385311299 MOTOR DRIVE ARM REPL KIT
24	385311300 MOTOR REPLACEMENT KIT - 12VDC 385311390 MOTOR REPLACEMENT KIT - 24VDC **INCLUDES ITEM 23.
25	385311754 4748 PLUG-IN BASE KIT - 12VDC 385311755 4748 PLUG-IN BASE KIT - 24VDC **INCLUDES ITEMS 4, 5, 8-14 & 16-24.
26	313408010 VF CONTROL PNL-STD GRAY 313408020 VF CONTROL PNL-STD WHT
27	313408030 VF CONTROL PNL-PLAYBUS GRY



Dometic Corporation - Sanitation Systems
13128 State Rt. 226, P.O. Box 38
Big Prairie, OH 44611-0038 USA
Telephone: 330-496-3211
Fax: 330-496-3097
Email: sealand@dometicusa.com

PARTS LIST: 4806 MODEL SERIES

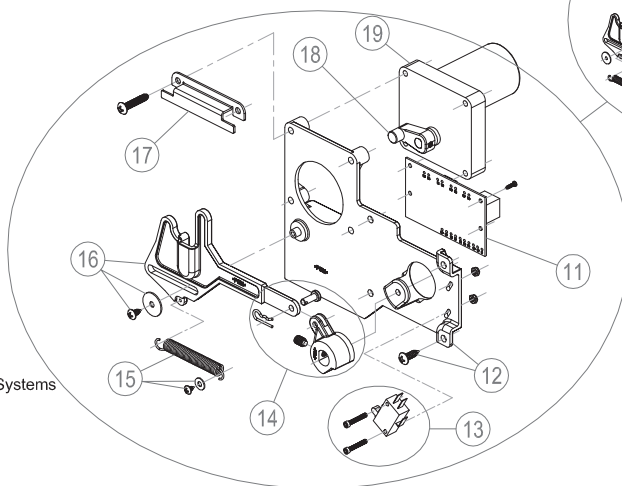
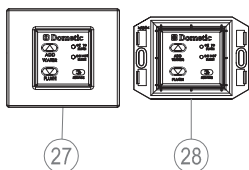
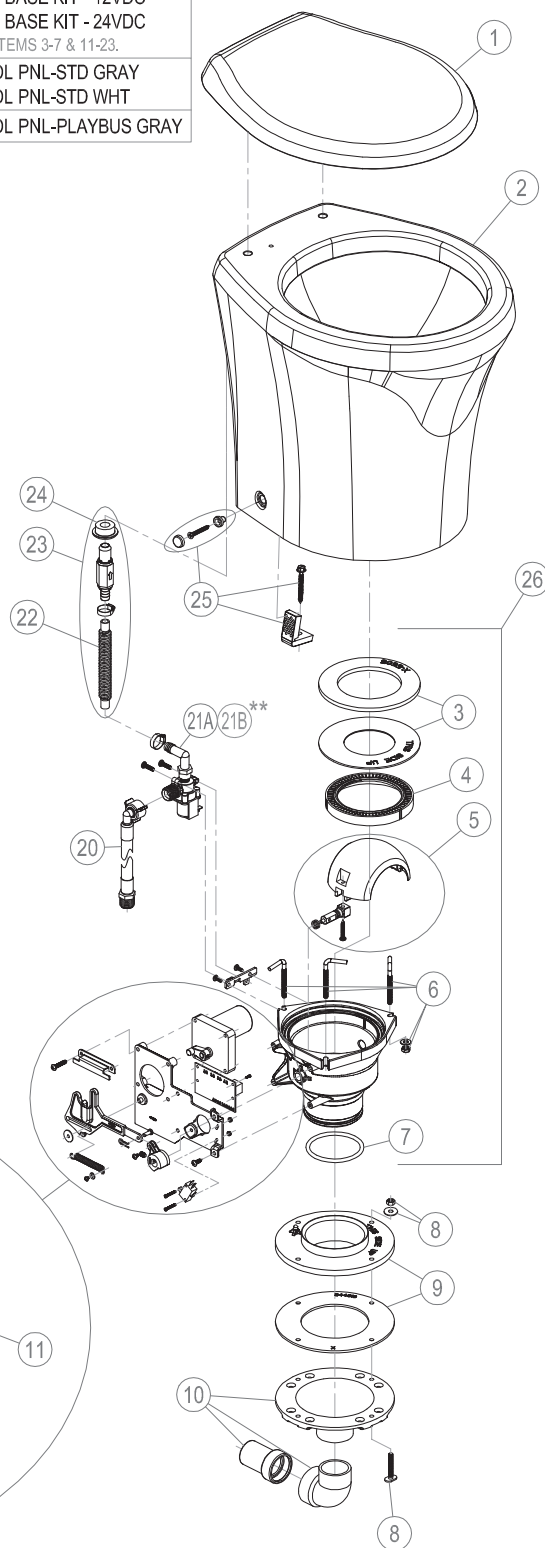
ITEM	PART NUMBER & DESCRIPTION
1	385311618 SEAT/COVER SLOW-CLOSE - WHITE
	385311619 SEAT/COVER SLOW-CLOSE - BONE
2	385311378 4800 SHORT BOWL KIT - WHITE
	385311379 4800 SHORT BOWL KIT - BONE
3	385311009 FLUSH BALL SEAL REPL KIT **INCLUDES ITEMS 6.
4	385311292 BASE FLUSH BALL RING KIT
5	385310969 FLUSH BALL/SHAFT REPL KIT
6	385311011 BASE TO BOWL MOUNTING HARDWARE
7	385311294 BASE O-RING REPL KIT
8	385310064 FLOOR FLANGE MOUNTING HARDWARE
9	385311013 FLOOR FLANGE ADAPTER KIT **INCLUDES ITEMS 8.
10	385318864 VF FUNNEL KIT **INCLUDES ITEMS 8.
11	385311690 CONTROL MODULE
12	385311394 FLUSH MECHANISM w/MTG BRACKET **INCLUDES ITEMS 13, 14, 15, 16, 17.
13	385311673 FLUSH ACTUATION SWITCH
14	385311296 FLUSH BALL CAM REPL KIT
15	385311393 FLUSH MECHANISM RETURN SPRING
16	385311392 FLUSH MECHANISM LINKAGE
17	385311429 FLUSH LINKAGE GUIDE BRACKET
18	385311299 MOTOR DRIVE ARM REPL KIT
19	385311300 MOTOR REPLACEMENT KIT - 12VDC
	385311390 MOTOR REPLACEMENT KIT - 24VDC **INCLUDES ITEM 18.
20	385311547 WATER SUPPLY HOSE
21A	385311545 WATER VALVE KIT - 12VDC
	385311546 WATER VALVE KIT - 24VDC
21B**	385311709 RETROFIT WATER VALVE KIT - 12VDC
	385311710 RETROFIT WATER VALVE KIT - 24VDC **INCLUDES MOUNTING BRACKET. **FOR 2009 & OLDER MODEL TOILETS.
22	385311869 CORRUGATED SUPPLY HOSE
23	385311384 CHECK VALVE w/HOSE **INCLUDES ITEM 22 & 24.
24	385311164 1/2" SEALING GROMMET
25	385311463 BOWL MOUNTING HARDWARE KIT
26	385311395 '06 PLUG-IN BASE KIT - 12VDC
	385311396 '06 PLUG-IN BASE KIT - 24VDC **INCLUDES ITEMS 3-7 & 11-23.
27	313408010 VF CONTROL PNL-STD GRAY
	313408020 VF CONTROL PNL-STD WHT
28	313408030 VF CONTROL PNL-PLAYBUS GRY



Dometic Corporation - Sanitation Systems
13128 State Rt. 226, P.O. Box 38
Big Prairie, OH 44611-0038 USA
Telephone: 330-496-3211
Fax: 330-496-3097
Email: sealand@dometicusa.com

PARTS LIST: 4809 MODEL SERIES

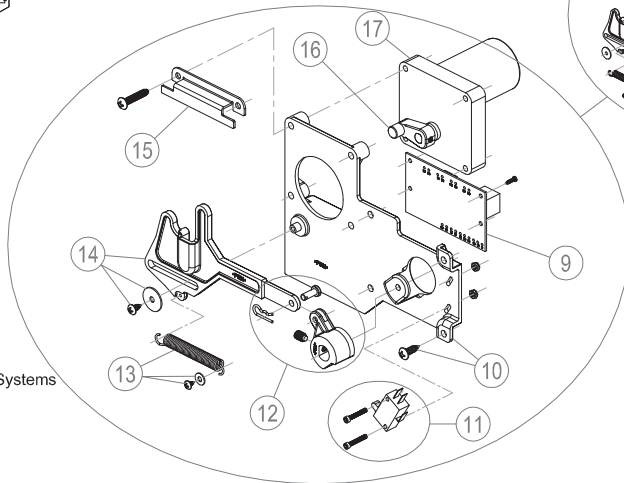
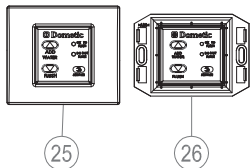
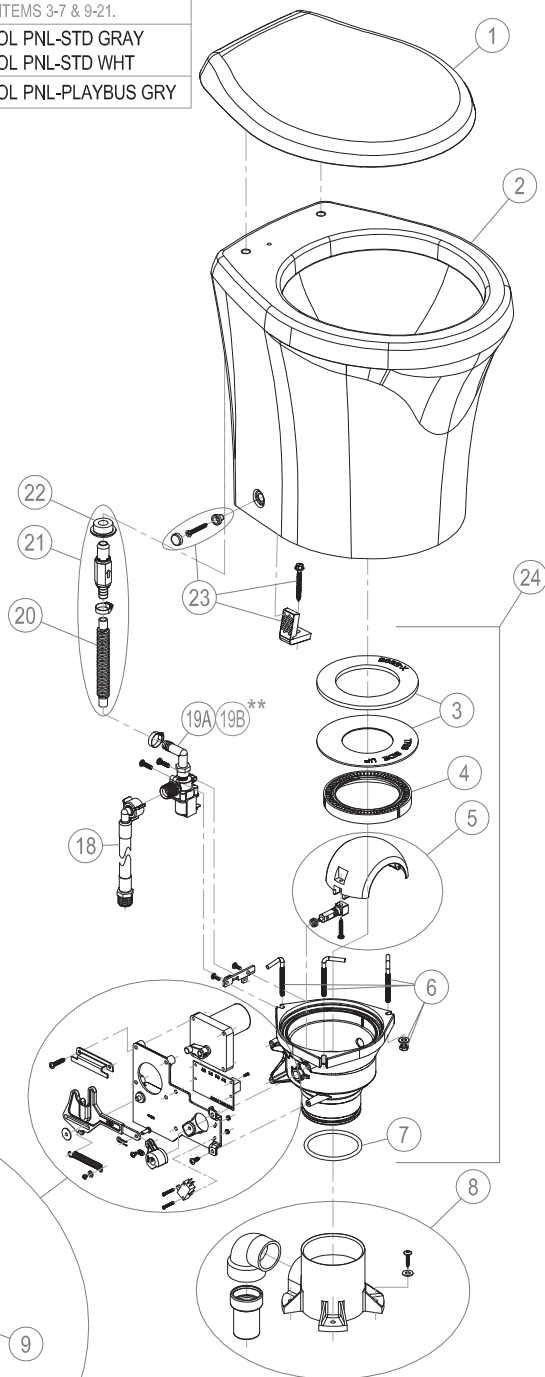
ITEM	PART NUMBER & DESCRIPTION	25	385311463 BOWL MOUNTING HARDWARE KIT
1	385311618 SEAT/COVER SLOW-CLOSE - WHITE	26	385311397 '09 PLUG-IN BASE KIT - 12VDC
	385311619 SEAT/COVER SLOW-CLOSE - BONE		385311398 '09 PLUG-IN BASE KIT - 24VDC **INCLUDES ITEMS 3-7 & 11-23.
2	385311380 4800 TALL BOWL KIT - WHITE	27	313408010 VF CONTROL PNL-STD GRAY
	385311381 4800 TALL BOWL KIT - BONE		313408020 VF CONTROL PNL-STD WHT
3	385311009 FLUSH BALL SEAL REPL KIT **INCLUDES ITEMS 6.	28	313408030 VF CONTROL PNL-PLAYBUS GRAY
4	385311292 BASE FLUSH BALL RING KIT		
5	385310969 FLUSH BALL/SHAFT REPL KIT		
6	385311011 BASE TO BOWL MOUNTING HARDWARE		
7	385311294 BASE O'RING REPL KIT		
8	385310064 FLOOR FLANGE MOUNTING HARDWARE		
9	385311013 FLOOR FLANGE ADAPTER KIT **INCLUDES ITEMS 8.		
10	385318864 VF FUNNEL KIT **INCLUDES ITEMS 8.		
11	385311690 CONTROL MODULE		
12	385311394 FLUSH MECHANISM w/MTG BRACKET **INCLUDES ITEMS 13, 14, 15, 16, 17.		
13	385311673 FLUSH ACTUATION SWITCH		
14	385311296 FLUSH BALL CAM REPL KIT		
15	385311393 FLUSH MECHANISM RETURN SPRING		
16	385311392 FLUSH MECHANISM LINKAGE		
17	385311429 FLUSH LINKAGE GUIDE BRACKET		
18	385311299 MOTOR DRIVE ARM REPL KIT		
19	385311300 MOTOR REPLACEMENT KIT - 12VDC		
	385311390 MOTOR REPLACEMENT KIT - 24VDC **INCLUDES ITEM 18.		
20	385311547 WATER SUPPLY HOSE		
21A	385311545 WATER VALVE KIT - 12VDC		
	385311546 WATER VALVE KIT - 24VDC		
21B**	385311709 RETROFIT WATER VALVE KIT - 12VDC		
	385311710 RETROFIT WATER VALVE KIT - 24VDC **INCLUDES MOUNTING BRACKET. **FOR 2009 & OLDER MODEL TOILETS.		
22	385311869 CORRUGATED SUPPLY HOSE		
23	385311384 CHECK VALVE w/HOSE **INCLUDES ITEM 22 & 24.		
24	385311164 1/2" SEALING GROMMET		



Dometic Corporation - Sanitation Systems
13128 State Rt. 226, P.O. Box 38
Big Prairie, OH 44611-0038 USA
Telephone: 330-496-3211
Fax: 330-496-3097
Email: sealand@dometicusa.com

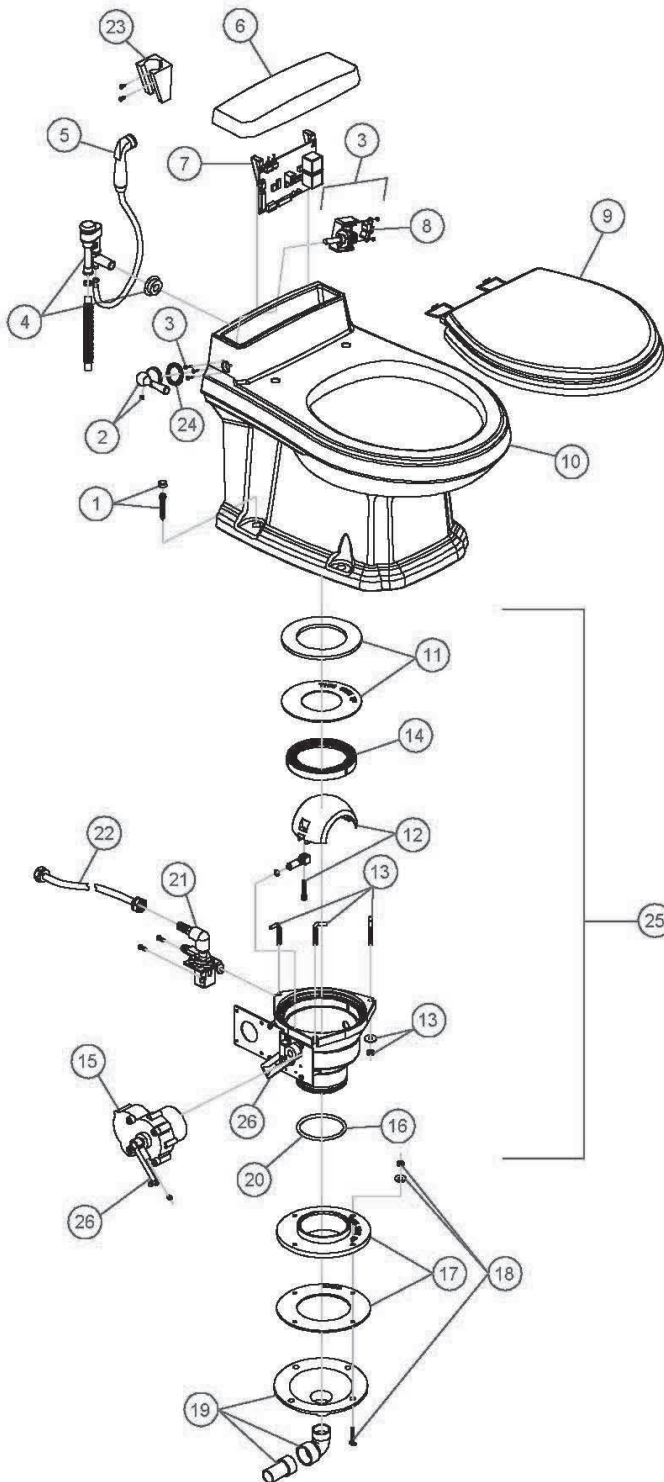
PARTS LIST: 4848 MODEL SERIES

ITEM	PART NUMBER & DESCRIPTION		385311399 '48 PLUG-IN BASE KIT - 12VDC	385311400 '48 PLUG-IN BASE KIT - 24VDC
1	385311618 SEAT/COVER SLOW-CLOSE - WHITE 385311619 SEAT/COVER SLOW-CLOSE - BONE	24	**INCLUDES ITEMS 3-7 & 9-21.	
2	385311380 4800 TALL BOWL KIT - WHITE 385311381 4800 TALL BOWL KIT - BONE	25	313408010 VF CONTROL PNL-STD GRAY 313408020 VF CONTROL PNL-STD WHT	
3	385311009 FLUSH BALL SEAL REPL KIT **INCLUDES ITEMS 6.	26	313408030 VF CONTROL PNL-PLAYBUS GRY	
4	385311292 BASE FLUSH BALL RING KIT			
5	385310969 FLUSH BALL/SHAFT REPL KIT			
6	385311011 BASE TO BOWL MOUNTING HARDWARE			
7	385311294 BASE O'RING REPL KIT			
8	385311056 ABOVE FLOOR DISCHARGE ADAPT KIT			
9	385311690 CONTROL MODULE			
10	385311394 FLUSH MECHANISM w/MTG BRACKET **INCLUDES ITEMS 11, 12, 13, 14, 15.			
11	385311673 FLUSH ACTUATION SWITCH			
12	385311296 FLUSH BALL CAM REPL KIT			
13	385311393 FLUSH MECHANISM RETURN SPRING			
14	385311392 FLUSH MECHANISM LINKAGE			
15	385311429 FLUSH LINKAGE GUIDE BRACKET			
16	385311299 MOTOR DRIVE ARM REPL KIT			
17	385311300 MOTOR REPLACEMENT KIT - 12VDC 385311390 MOTOR REPLACEMENT KIT - 24VDC **INCLUDES ITEM 16.			
18	385311547 WATER SUPPLY HOSE			
19A	385311545 WATER VALVE KIT - 12VDC 385311546 WATER VALVE KIT - 24VDC			
19B**	385311709 RETROFIT WATER VALVE KIT - 12VDC 385311710 RETROFIT WATER VALVE KIT - 24VDC **INCLUDES MOUNTING BRACKET. **FOR 2009 & OLDER MODEL TOILETS.			
20	385311869 CORRUGATED SUPPLY HOSE			
21	385311384 CHECK VALVE w/HOSE **INCLUDES ITEM 20 & 22.			
22	385311164 1/2" SEALING GROMMET			
23	385311463 BOWL MOUNTING HARDWARE KIT			



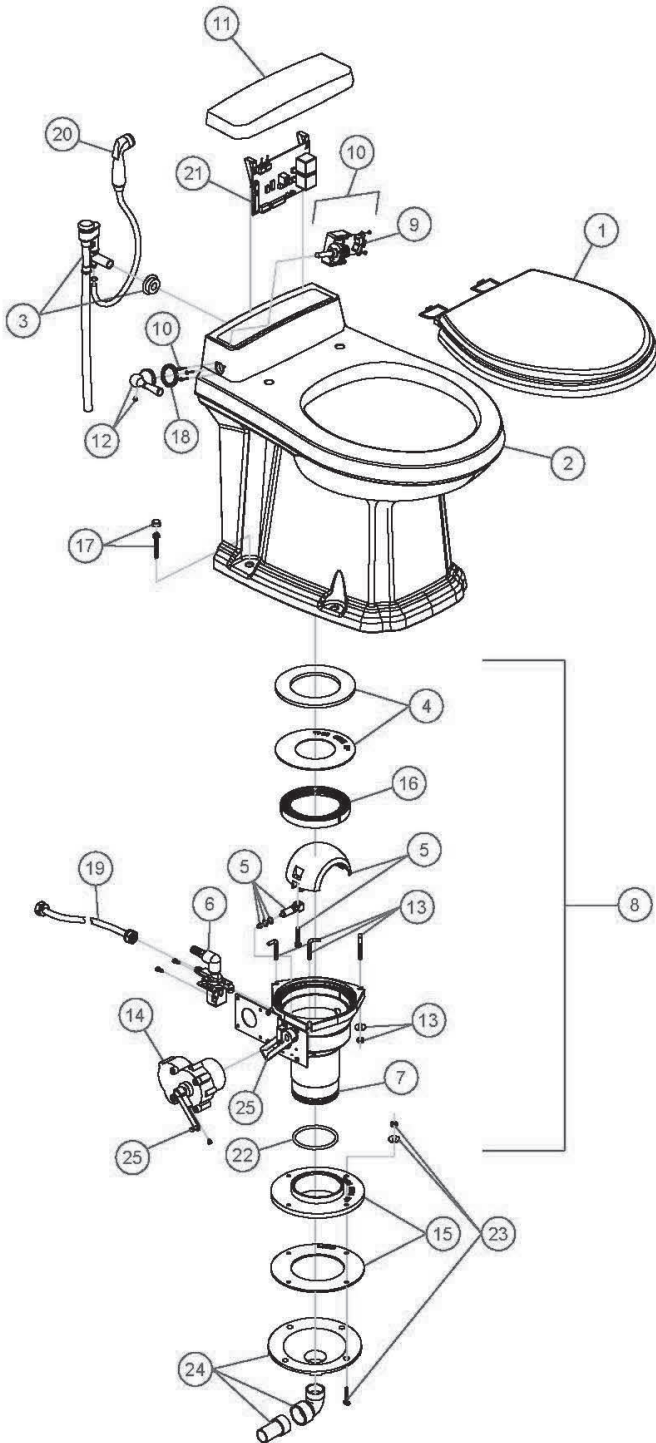
Dometic Corporation - Sanitation Systems
13128 State Rt. 226, P.O. Box 38
Big Prairie, OH 44611-0038 USA
Telephone: 330-496-3211
Fax: 330-496-3097
Email: sealand@dometicusa.com

PARTS LIST: 3006



ITEM	3006	DESCRIPTION
1	385310813	CHINA BOWL MOUNTING KIT, CHROME
	385310814	CHINA BOWL MOUNTING KIT, GOLD
2	385310962	FLUSH HANDLE WITH SET SCREW, CHROME
	385310963	FLUSH HANDLE WITH SET SCREW, GOLD
3	385310964	FLUSH CONTROL ASSY (INCLUDES CABLE)
4	385310807	VACUUM BREAKER ASSEMBLY
	385310808	VACUUM BREAKER ASSY-HAND SPRAY MODEL
5	385310809	HAND SPRAY; WHITE, BONE, PLATINUM
	385310873	HAND SPRAY; EBONY
6	385310851	ACCESS COVER, WHITE
	385310852	ACCESS COVER, BONE
	385310866	ACCESS COVER, EBONY
7	385310888	CONTROL MODULE KIT-12VDC (VFLUSH MODELS)
	385310890	CONTROL MODULE KIT-24VDC (VFLUSH MODELS)
8	385310965	KIT, ROCKER SWITCH w/CABLE
9	385344022	SEAT & COVER, WHITE
	385344023	SEAT & COVER, BONE
	385344025	SEAT & COVER, EBONY
10	385310857	CHINA BOWL, WHITE
	385310858	CHINA BOWL, BONE
	385310872	CHINA BOWL, EBONY
11	385311009	KIT, PLUG IN BASE SEALS
12	385310969	SHAFT/HALF BALL KIT WHITE
	385310971	SHAFT/HALF BALL KIT EBONY
13	385311011	KIT, CON'TO L-BOLT/NUTS/WSHR
14	385311292	KIT, BASE RING INSERT
15	385310822	MOTOR & MOUNTING HARDWARE (12VDC)
	385310846	MOTOR & MOUNTING HARDWARE (24VDC)
16	385311294	KIT, O'RING PLUG-IN BASE
17	385311013	KIT, CON'TO FLOOR FLANGE ADPT
18	385310064	KIT, MOUNT-TRAVELER-506/806
19	385318864	KIT, FUNNEL 506-706-806 (inc. item 18)
20	385311053	KIT, BASE '06 PLUGIN (inc. items 11-14, 16)
21	385310821	WATER VALVE w/MOUNTING SCREWS (12VDC)
	385310845	WATER VALVE w/MOUNTING SCREWS (24VDC)
22	385311018	SUPPLY HOSE
23	385311131	SPRAY BRACKET CHROME
	385311125	SPRAY BRACKET EBONY
24	600344695	WASHER, FLUSH HANDLE
25	385311312	KIT, BASE 3606 PLUGIN CPT 12V
	385311313	KIT, BASE 3606 PLUGIN CPT 24V
26	385311417	KIT, BASE DRIVE ARMS
N/S	385310854	ACCESS COVER MOUNTING KIT

PARTS LIST: 3009 PLUG IN BASE

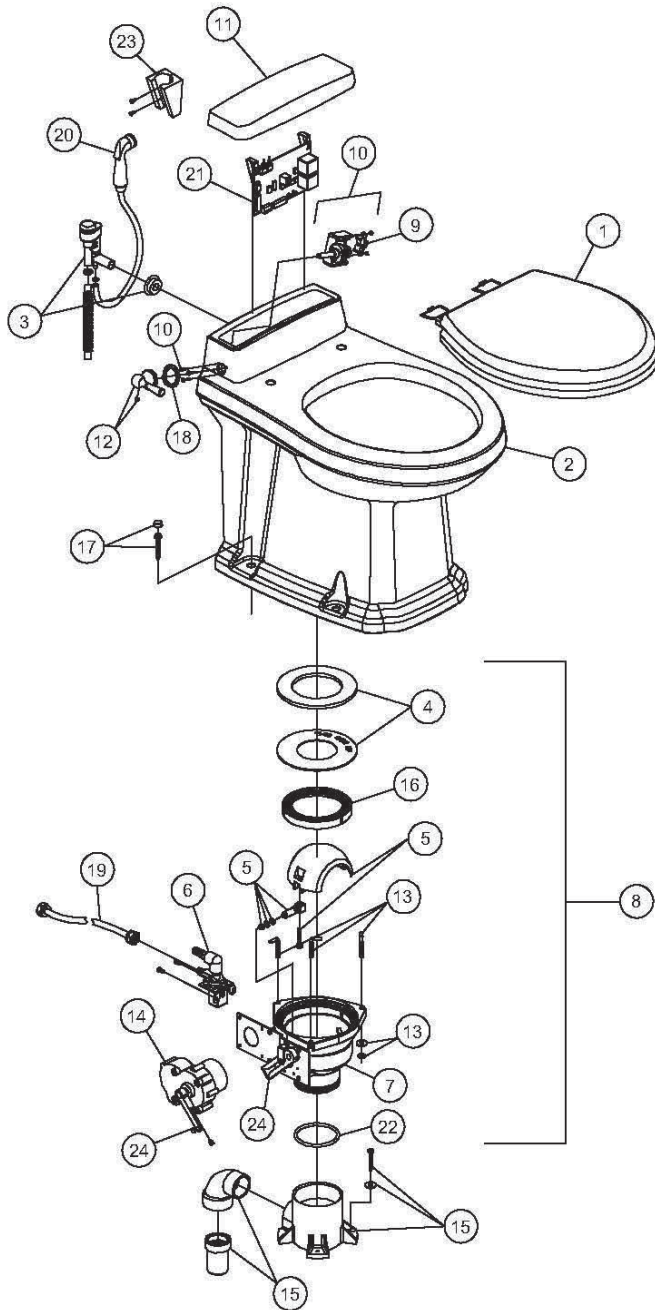


ITEM	PART NUMBER	DESCRIPTION
1	385344022	SEAT & COVER HF, WHITE
	385344023	SEAT & COVER HF, BONE
	385344024	SEAT & COVER HF, PLATINUM
	385344025	SEAT & COVER HF, EBONY
2	385310811	CHINA BOWL, WHITE
	385310812	CHINA BOWL, BONE
	385310867	CHINA BOWL, PLATINUM
	385310869	CHINA BOWL, EBONY
3	385310807	VACUUM BREAKER ASSEMBLY
	385310808	VACUUM BREAKER ASSY-HAND SPRAY MODEL
4	385311009	KIT, SEAL PLUG IN BASE
5	385310969	SHAFT/HALF BALL KIT
	385310971	SHAFT/HALF BALL KIT EBONY
6	385310821	WATER VALVE w/MOUNTING SCREWS (12VDC)
	385310845	WATER VALVE w/MOUNTING SCREWS (24VDC)
7	385311051	BASE 3010 PLUG IN 12 & 24VDC
8	385311050	COMPLETE BASE PLUG IN (INC 4-7,13-14,16,19,22,25)
	385311425	KIT, BASE 3009/24V PLU CPT (INC 4-7,13-14,16,19,22,25)
9	385310965	KIT, ROCKER SWITCH w/CABLE
10	385310964	FLUSH CONTROL ASSY (INCLUDES CABLE)
11	385310851	ACCESS COVER, WHITE
	385310852	ACCESS COVER, BONE
	385310864	ACCESS COVER, PLATINUM
	385310866	ACCESS COVER, EBONY
12	385310962	FLUSH HANDLE WITH SET SCREW, CHROME
	385310963	FLUSH HANDLE WITH SET SCREW, GOLD
13	385311011	L- BOLTS/NUTS/WASH/PLUG IN BASE
14	385310822	MOTOR & MOUNTING HARDWARE (12VDC)
	385310846	MOTOR & MOUNTING HARDWARE (24VDC)
15	385311013	FLOOR FLANGE ADAPTER KIT
16	385311292	KIT, BASE RING INSERT
17	385310813	CHINA BOWL MOUNTING KIT, CHROME
	385310814	CHINA BOWL MOUNTING KIT, GOLD
18	600344695	WASHER, FLUSH HANDLE
19	385311018	SUPPLY HOSE
20	385310809	HAND SPRAY; WHITE, BONE, PLATINUM
	385310873	HAND SPRAY; EBONY
21	385310888	CONTROL MODULE KIT-12VDC (vacuflush)
	385310890	CONTROL MODULE KIT-24VDC (vacuflush)
22	385311294	KIT, O'RING PLUG-IN BASE
23	385310064	MOUNTING HARDWARE
24	385318864	FUNNEL KIT (INCLUDES ITEM 23)
25	385311417	KIT, BASE DRIVE ARMS
N/S	385310854	ACCESS COVER MOUNTING KIT

* WHENEVER THE BASE IS REMOVED, YOU MUST REPLACE THE L-BOLTS AND NUTS.

Dometic Corporation - Sanitation Systems
13128 State Rt. 226, P.O. Box 38
Big Prairie, OH 44611-0038 USA
Telephone: 330-496-3211
Fax: 330-496-3097
Email: sealand@dometicusa.com

PARTS LIST: 3048 PLUG IN BASE

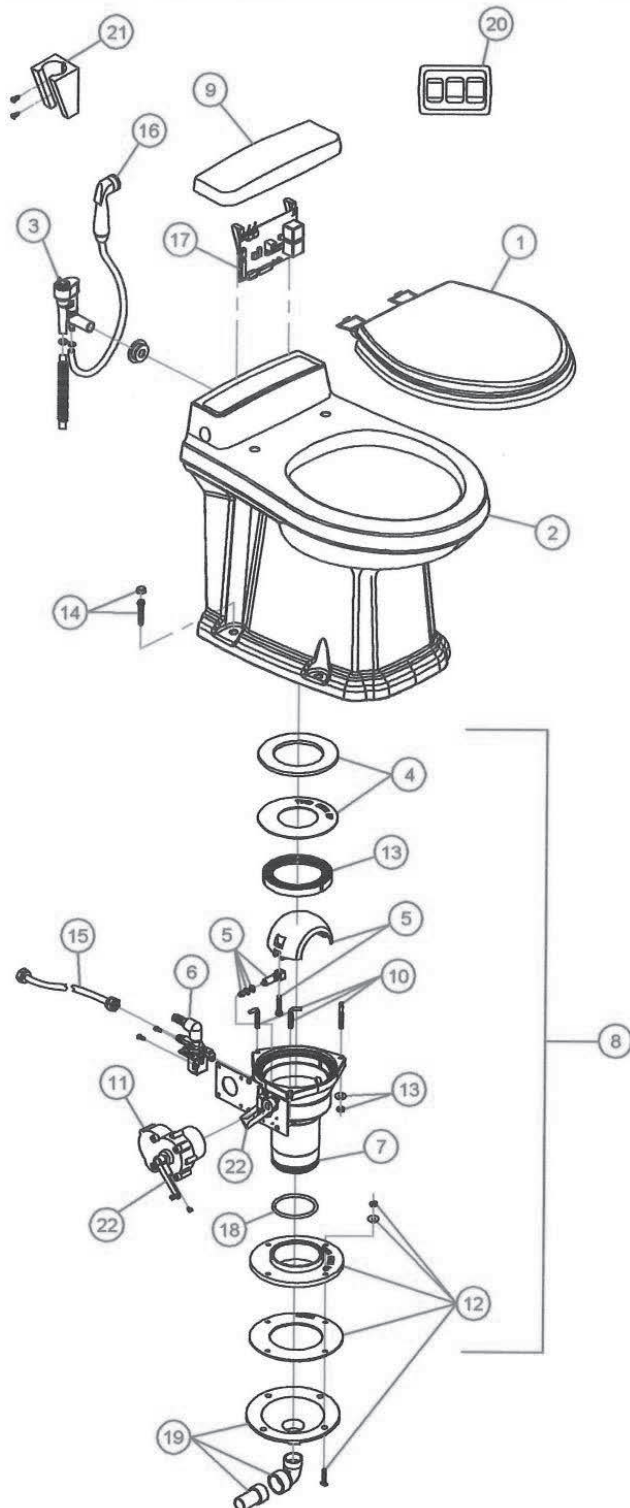


ITEM	PART NUMBER	DESCRIPTION
1	385344022	SEAT & COVER HF, WHITE
	385344023	SEAT & COVER HF, BONE
	385344024	SEAT & COVER HF, PLATINUM
	385344025	SEAT & COVER HF, EBONY
2	385310811	CHINA BOWL, WHITE
	385310812	CHINA BOWL, BONE
	385310867	CHINA BOWL, PLATINUM
	385310869	CHINA BOWL, EBONY
3	385310807	VACUUM BREAKER ASSEMBLY
	385310808	VACUUM BREAKER ASSY-HAND SPRAY MODEL
4	385311009	KIT, SEAL PLUG IN BASE
5	385310969	SHAFT/ HALF BALL KIT
	385310971	SHAFT/ HALF BALL KIT EBONY
6	385310821	WATER VALVE w/MOUNTING SCREWS (12VDC)
	385310845	WATER VALVE w/MOUNTING SCREWS (24VDC)
7	385311052	BASE 3048 PLUG IN 12&24
8	385311054	COMPLETE BASE ASSY 12VDC (DOESNT INCLUDE #15)
	385311055	COMPLETE BASE ASSY 24VDC (DOESNT INCLUDE #15)
9	385310965	KIT, ROCKER SWITCH w/CABLE
10	385310964	FLUSH CONTROL ASSY (INCLUDES CABLE)
11	385310851	ACCESS COVER, WHITE
	385310852	ACCESS COVER, BONE
	385310864	ACCESS COVER, PLATINUM
	385310866	ACCESS COVER, EBONY
12	385311141	KIT, FLUSH HANDLE-NICKLE
	385310962	FLUSH HANDLE WITH SET SCREW, CHROME
	385310963	FLUSH HANDLE WITH SET SCREW, GOLD
13	385311011	L-BOLTS/NUTS/WASH/ PLUG IN BASE
	385310822	MOTOR & MOUNTING HARDWARE (12VDC)
14	385310846	MOTOR & MOUNTING HARDWARE (24VDC)
	385311056	ADAPTER 48 PLUG IN
15	385311292	RING, BASE INSERT
17	385310813	CHINA BOWL MOUNTING KIT, CHROME
	385310814	CHINA BOWL MOUNTING KIT, GOLD
18	600344695	WASHER, FLUSH HANDLE
19	385311018	SUPPLY HOSE
20	385310809	HAND SPRAY, WHITE, BONE, PLATINUM
	385310873	HAND SPRAY, EBONY
21	385310888	CONTROL MODULE KIT-12VDC (VACUUM MODEL)
	385310890	CONTROL MODULE KIT-24VDC (VACUUM MODEL)
22	385311294	O'RING, BASE
23	385311131	SPRAY BRACKET; CHROME (includes screws)
	385311125	SPRAY BRACKET; EBONY (includes screws)
24	385311417	KIT, BASE DRIVE ARMS
N/S	385310854	ACCESS COVER MOUNTING KIT

* WHENEVER THE BASE IS REMOVED, YOU MUST REPLACE THE L-BOLTS AND NUTS.

Dometic Corporation - Sanitation Systems
13128 State Rt. 226, P.O. Box 38
Big Prairie, OH 44611-0038 USA
Telephone: 330-496-3211
Fax: 330-496-3097
Email: sealand@dometicusa.com

PARTS LIST: 3109 PLUG IN BASE

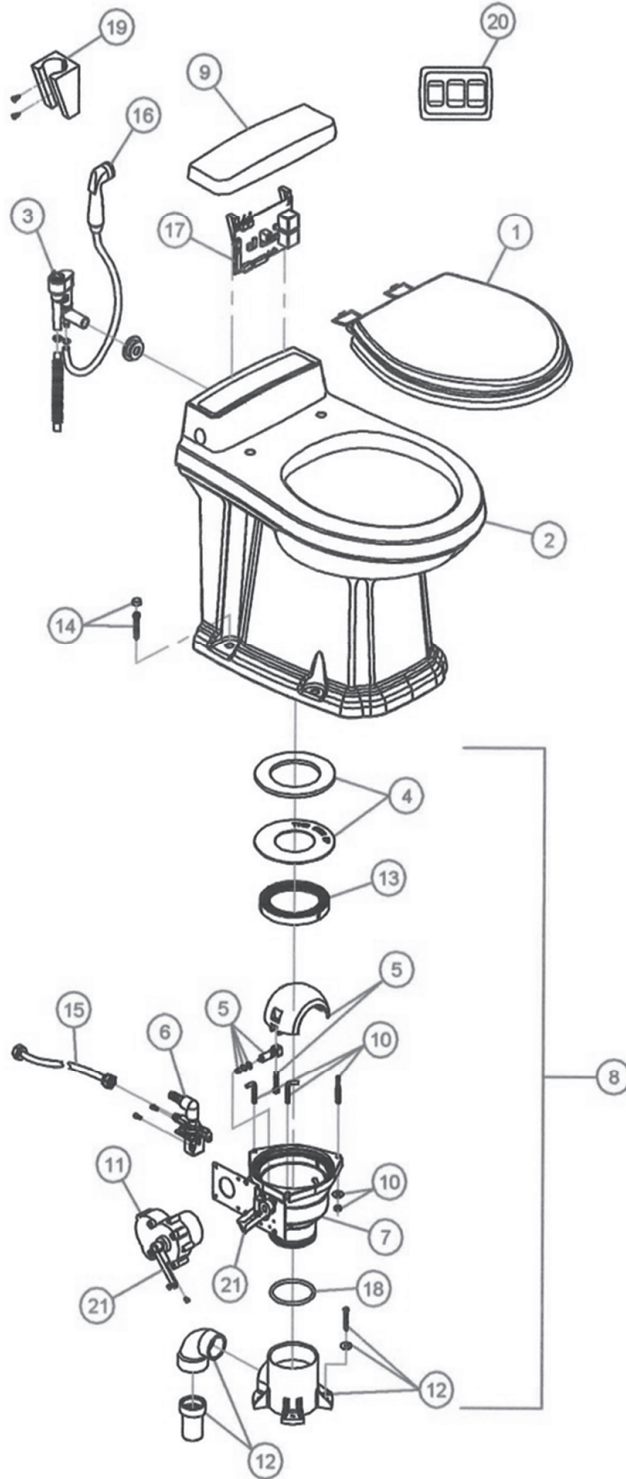


ITEM	PART NUMBER	DESCRIPTION
1	385344022	SEAT & COVER , WHITE
	385344023	SEAT & COVER , BONE
	385344024	SEAT & COVER , PLATINUM
	385344025	SEAT & COVER , EBONY
2	385310811	CHINA BOWL, WHITE
	385310812	CHINA BOWL, BONE
	385310867	CHINA BOWL, PLATINUM
	385310869	CHINA BOWL, EBONY
3	385310807	VACUUM BREAKER ASSEMBLY
	385310808	VACUUM BREAKER ASSY-HAND SPRAY MODEL
4	385311009	KIT, SEAL PLUG IN BASE
5	385310969	SHAFT/ HALF BALL KIT
	385310971	SHAFT/HALF BALL KIT EBONY
6	385310821	WATER VALVE w/MOUNTING SCREWS (12VDC)
	385310845	WATER VALVE w/MOUNTING SCREWS (24VDC)
7	385311051	BASE PLUG IN (INCLUDES ITEMS 14,15)
8	385311050	COMPLETE BASE PLUG IN (INC. ITEMS 4,7,14,16,19,22)
9	385310851	ACCESS COVER, WHITE
	385310852	ACCESS COVER, BONE
	385310864	ACCESS COVER, PLATINUM
	385310866	ACCESS COVER, EBONY
10	385311011	L- BOLTS/NUTS W/WASH/ PLUG IN BASE
11	385310822	MOTOR & MOUNTING HARDWARE (12VDC)
	385310846	MOTOR & MOUNTING HARDWARE (24VDC)
12	385311013	FLOOR FLANGE ADAPTER KIT
13	385311292	RING, BASE INSERT
14	385310785	CHINA BOWL MOUNTING KIT, BONE
	385310679	CHINA BOWL MOUNTING KIT, WHITE
15	385311018	SUPPLY HOSE
16	385310809	HAND SPRAY; CHROME
	385310873	HAND SPRAY; EBONY
17	385310888	CONTROL MODULE KIT-12VDC
	385310890	CONTROL MODULE KIT-24VDC
18	385311294	O'RING 3.1 X 3.5 X .21
19	385318864	FUNNEL KIT (mounting hardware inc.)
20	385311140	KIT, WALL MT SWITCH-VF
21	385311131	SPRAY BRACKET CHROME
	385311125	SPRAY BRACKET EBONY
22	385311417	KIT, BASE DRIVE ARMS
N/S	385310854	ACCESS COVER MOUNTING KIT

* WHENEVER THE BASE IS REMOVED, YOU MUST REPLACE THE L-BOLTS AND NUTS.

Dometic Corporation - Sanitation Systems
13128 State Rt. 226, P.O. Box 38
Big Prairie, OH 44611-0038 USA
Telephone: 330-496-3211
Fax: 330-496-3097
Email: sealand@dometicusa.com

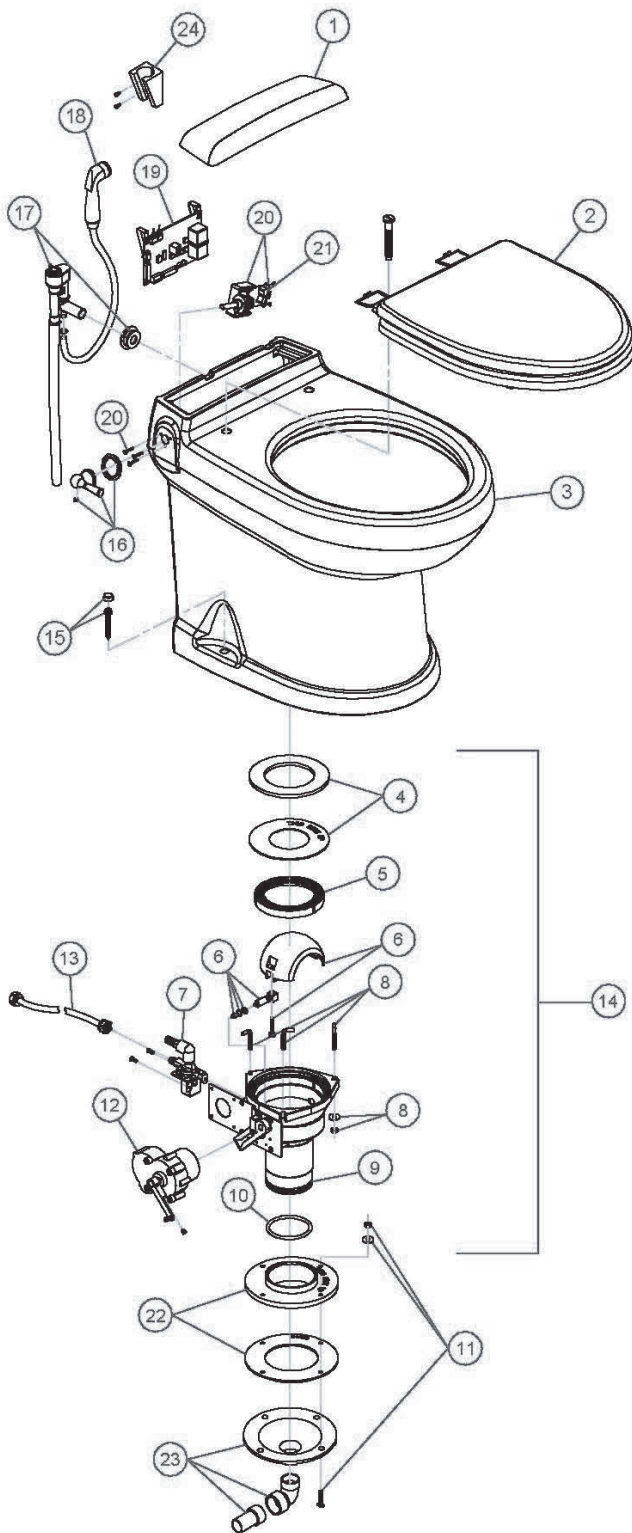
PARTS LIST: 3148 PLUG IN BASE



ITEM	PART NUMBER	DESCRIPTION
1	385344022	SEAT & COVER , WHITE
	385344023	SEAT & COVER , BONE
	385344024	SEAT & COVER , PLATINUM
	385344025	SEAT & COVER , EBONY
2	385310811	CHINA BOWL, WHITE
	385310812	CHINA BOWL, BONE
	385310867	CHINA BOWL, PLATINUM
	385310869	CHINA BOWL, EBONY
3	385310807	VACUUM BREAKER ASSEMBLY
	385310808	VACUUM BREAKER ASSY-HAND SPRAY MODEL
4	385311009	KIT, SEAL PLUG IN BASE
5	385310969	SHAFT/HALF BALL KIT
	385310971	SHAFT/HALF BALL KIT EBONY
6	385310821	WATER VALVE w/MOUNTING SCREWS (12VDC)
	385310845	WATER VALVE w/MOUNTING SCREWS (24VDC)
7	385311052	BASE PLUG IN
8	385311054	COMPLETE BASE PLUG IN 12VDC (INCLUDES ITEMS 4,7,14,16,19,22)
	385311055	COMPLETE BASE PLUG IN 24VDC (INCLUDES ITEMS 4,7,14,16,19,22)
9	385310851	ACCESS COVER, WHITE
	385310852	ACCESS COVER, BONE
	385310864	ACCESS COVER, PLATINUM
	385310866	ACCESS COVER, EBONY
10	385311011	L- BOLTS/NUTS /WASH/ PLUG IN BASE
11	385310822	MOTOR & MOUNTING HARDWARE (12VDC)
	385310846	MOTOR & MOUNTING HARDWARE (24VDC)
12	385311056	FLOOR FLANGE ADAPTER KIT
13	385311292	RING, BASE INSERT
14	385310785	CHINA BOWL MOUNTING KIT, BONE
	385310679	CHINA BOWL MOUNTING KIT, WHITE
15	385311018	SUPPLY HOSE
16	385310809	HAND SPRAY; CHROME
	385310873	HAND SPRAY; EBONY
17	385310888	CONTROL MODULE KIT-12VDC
	385310890	CONTROL MODULE KIT-24VDC
18	385311294	ORING 3.1 X 3.5 X .21
19	385311131	SPRAY BRACKET CHROME
	385311125	SPRAY BRACKET EBONY
20	385311140	FLUSH SWITCH VAC. (cable included)
21	385311417	KIT, BASE DRIVE ARMS
N/S	385310854	ACCESS COVER MOUNTING KIT

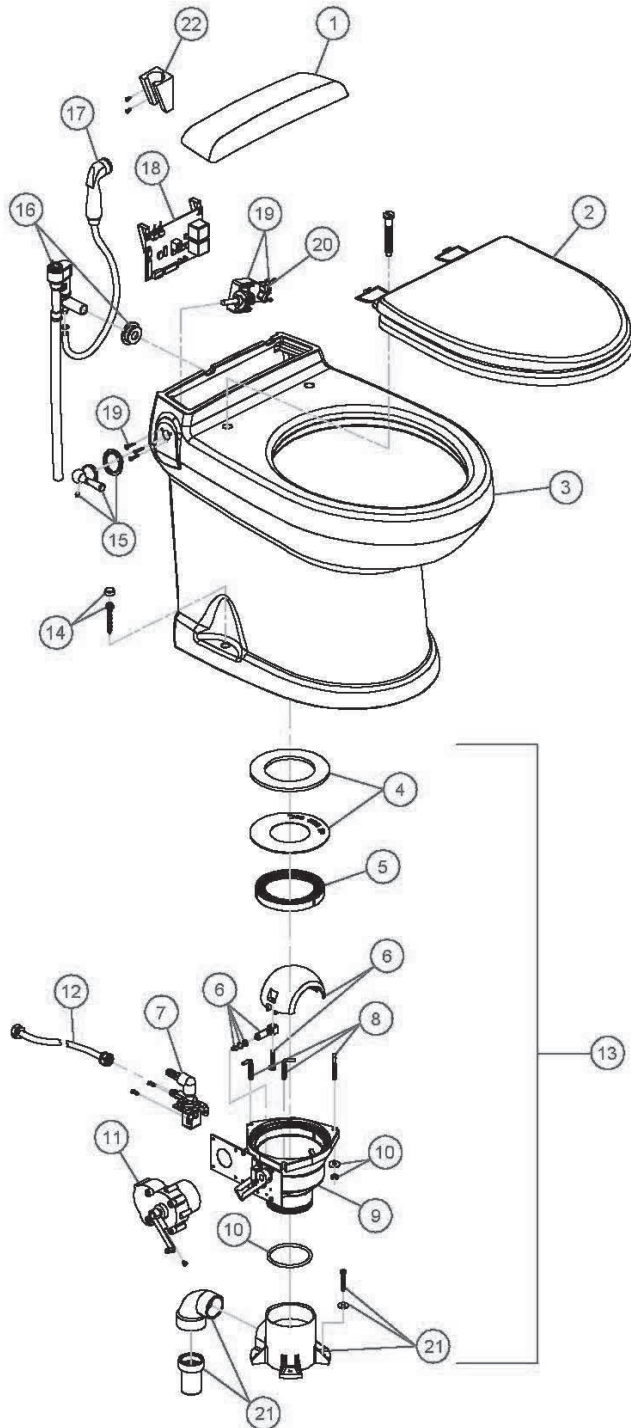
* WHENEVER THE BASE IS REMOVED, YOU MUST REPLACE THE L-BOLTS AND NUTS.

PARTS LIST: 3309 PLUG IN BASE



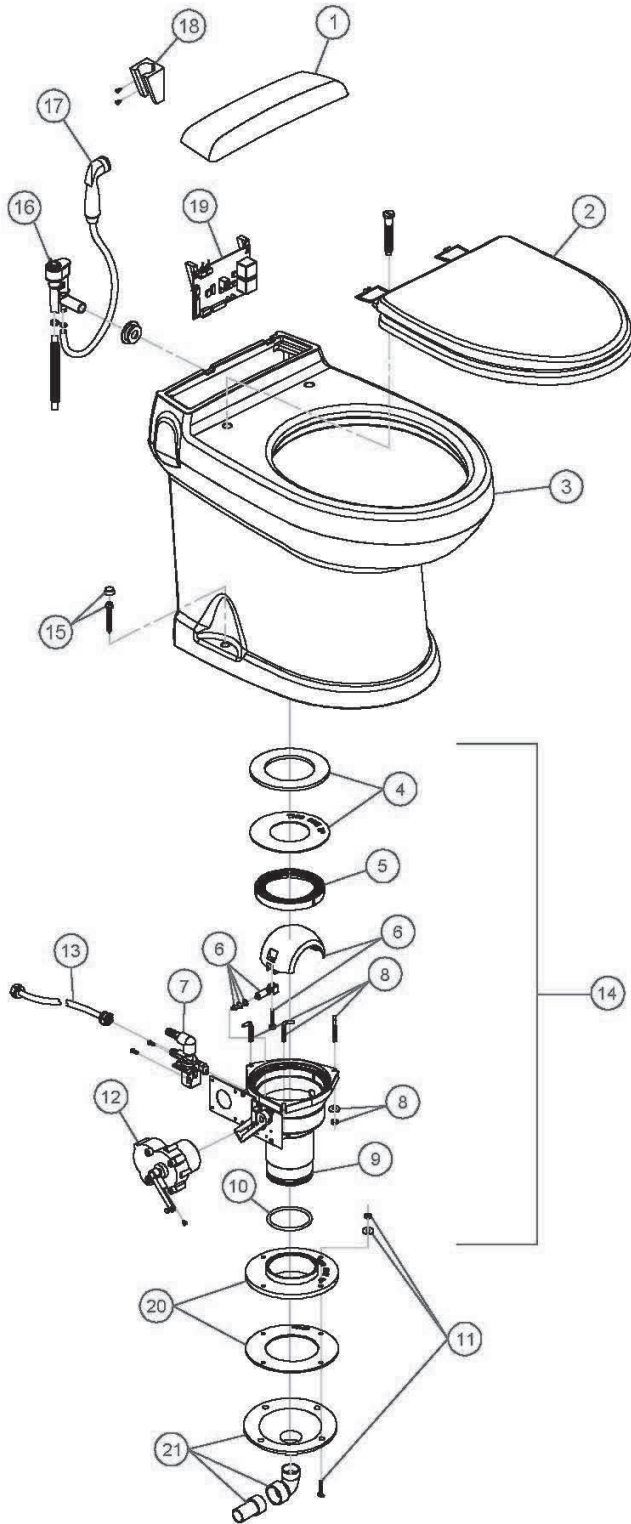
ITEM	PART NUMBER	DESCRIPTION
1	385311001	ACCESS COVER, WHITE
	385311002	ACCESS COVER, BONE
2	385311005	SEAT & COVER - WHITE
	385311006	SEAT & COVER - BONE
3	385311007	CHINA BOWL, WHITE
	385311008	CHINA BOWL, BONE
4	385311009	KIT, SEAL PLUG IN BASE
5	385311292	RING, BASE INSERT
6	385310969	SHAFT/HALF BALL KIT
7	385310821	WATER VALVE w/MOUNTING SCREWS (12VDC)
	385310845	WATER VALVE w/MOUNTING SCREWS (24VDC)
8	385311011	L- BOLTS/NUTS /WASH/PLUG IN BASE
9	385311051	BASE PLUG IN (inc. item 8- 10)
10	385311294	O'RING 3.1 X 3.5 X .21
11	385310064	MOUNTING KIT
12	385310822	MOTOR & MOUNTING HARDWARE (12VDC)
	385310846	MOTOR & MOUNTING HARDWARE (24VDC)
13	385311018	SUPPLY HOSE
14	385311050	COMPLETE BASE PLUG IN 12VDC (INCLUDES ITEMS 4-11 & 13)
	385311170	COMPLETE BASE PLUG IN 24VDC (INCLUDES ITEMS 4-11 & 13)
15	385310679	MOUNTING KIT - WHITE
	385310785	MOUNTING KIT - BONE
16	385310962	FLUSH HANDLE WITH SET SCREW, CHROME
	385310963	FLUSH HANDLE WITH SET SCREW, GOLD
	385311141	FLUSH HANDLE WITH SET SCREW, NICKLE
17	385310807	VACUUM BREAKER KIT
	385310808	VACUUM BREAKER KIT - WITH SPRAY
18	385310809	HAND SPRAY
19	385310888	CONTROL MODULE 12VDC
	385310890	CONTROL MODULE 24VDC
20	385310964	FLUSH CONTROL ASSEMBLY w/CABLE
21	385310965	ROCKER SWITCH w/CABLE
22	385311013	FLOOR FLANGE ADAPTER KIT
23	385318864	FLOOR FLANGE KIT (inc. item 11)
24	385311131	SPRAY BRACKET
N/S	385310854	ACCESS COVER MOUNTING KIT
N/S	385311417	KIT, BASE DRIVE ARMS

PARTS LIST: 3348 PLUG IN BASE

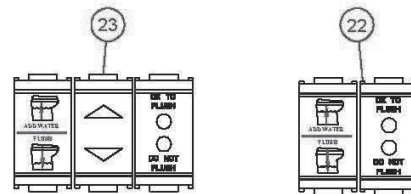


ITEM	PART NUMBER	DESCRIPTION
1	385311001	ACCESS COVER, WHITE
	385311002	ACCESS COVER, BONE
2	385311005	SEAT & COVER - WHITE
	385311006	SEAT & COVER - BONE
3	385311007	CHINA BOWL, WHITE
	385311008	CHINA BOWL, BONE
4	385311009	KIT, SEAL PLUG IN BASE
5	385311292	RING, BASE INSERT
6	385310969	SHAFT/ HALF BALL KIT
7	385310821	WATER VALVE w/MOUNTING SCREWS (12VDC)
	385310845	WATER VALVE w/MOUNTING SCREWS (24VDC)
8	385311011	L-BOLTS/NU TS /WASH/ PLUG IN BASE
9	385311052	BASE PLUG IN (Inc. item 8 - 10)
10	385311294	O'RING 3.1 X 3.5X .21
11	385310822	MOTOR & MOUNTING HARDWARE (12VDC)
	385310846	MOTOR & MOUNTING HARDWARE (24VDC)
12	385311018	SUPPLY HOSE
13	385311054	COMPLETE BASE PLUG IN 12VDC (INCLUDES ITEMS 4-11&12)
	385311055	COMPLETE BASE PLUG IN 24VDC (INCLUDES ITEMS 4-11&12)
14	385310679	MOUNTING KIT - WHITE
	385310785	MOUNTING KIT - BONE
15	385310962	FLUSH HANDLE WITH SET SCREW, CHROME
	385310963	FLUSH HANDLE WITH SET SCREW, GOLD
	385311141	FLUSH HANDLE WITH SET SCREW, NICKLE
16	385310807	VACUUM BREAKER KIT
	385310808	VACUUM BREAKER KIT - WITH SPRAY
17	385310809	HAND SPRAY
18	385310888	CONTROL MODULE 12VDC
	385310890	CONTROL MODULE 24VDC
19	385310964	FLUSH CONTROL ASSEMBLY w/CABLE
20	385310965	ROCKER SWITCH w/CABLE
21	385311056	FLOOR FLANGE ADAPTER KIT
22	385311131	SPRAY BRACKET
N/S	385310854	ACCESS COVER MOUNTING KIT
N/S	385311417	KIT, BASE DRIVE ARMS

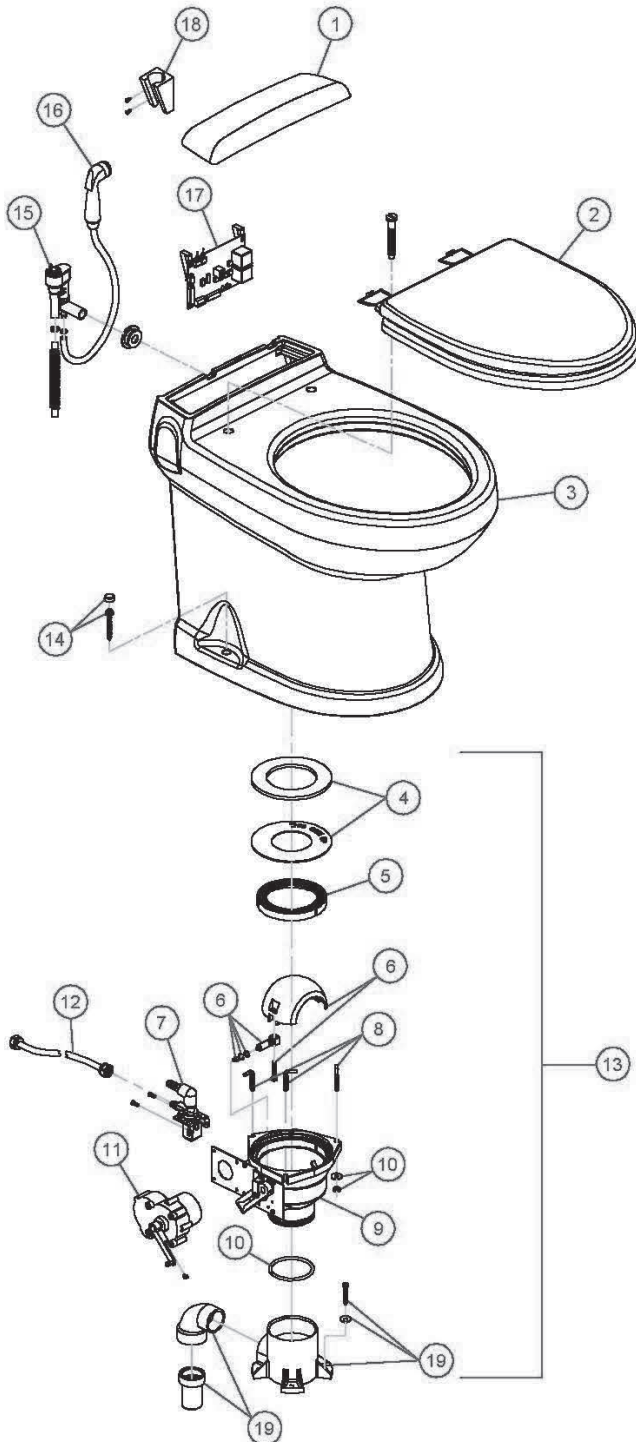
PARTS LIST: 3409 PLUG IN BASE



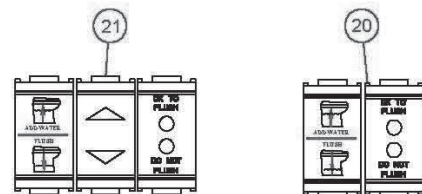
ITEM	PART NUMBER	DESCRIPTION
1	385311001	ACCESS COVER, WHITE
	385311002	ACCESS COVER, BONE
2	385311005	SEAT & COVER - WHITE
	385311006	SEAT & COVER - BONE
3	385311007	CHINA BOWL, WHITE
	385311008	CHINA BOWL, BONE
4	385311009	KIT, SEAL PLUG IN BASE
5	385311292	RING, BASE INSERT
6	385310969	SHAFT/ HALF BALL KIT
7	385310821	WATER VALVE w/MOUNTING SCREWS (12VDC)
	385310845	WATER VALVE w/MOUNTING SCREWS (24VDC)
8	385311011	L-BOLTS/NUTS /WASH/ PLUG IN BASE
9	385311051	BASE PLUG IN (inc. Item 8- 10)
10	385311294	O-RING 3.1 X 3.5 X .21
11	385310064	MOUNTING KIT
12	385310822	MOTOR & MOUNTING HARDWARE (12VDC)
	385310846	MOTOR & MOUNTING HARDWARE (24VDC)
13	385311018	SUPPLY HOSE
14	385311050	COMPLETE BASE PLUG IN 12VDC (INCLUDES ITEMS 4-11 & 13)
	385311170	COMPLETE BASE PLUG IN 24VDC (INCLUDES ITEMS 4-11 & 13)
15	385310679	MOUNTING KIT- WHITE
	385310785	MOUNTING KIT- BONE
16	385310807	VACUUM BREAKER KIT
	385310808	VACUUM BREAKER KIT -WITH SPRAY
17	385310809	HAND SPRAY
18	385311131	SPRAY BRACKET
19	385310888	CONTROL MODULE 12VDC
	385310890	CONTROL MODULE 24VDC
20	385311013	FLOOR FLANGE ADAPTER KIT
21	385318864	FLOOR FLANGE KIT (inc. Item 11)
22	313401012	FLUSH SWITCH w/CABLE VIMAR 12/WHITE
	313401024	FLUSH SWITCH w/CABLE VIMAR 24/WHITE
	313402012	FLUSH SWITCH w/CABLE VIMAR 12/GRAY
	313402024	FLUSH SWITCH w/CABLE VIMAR 24/GRAY
23	313403012	FLUSH SWITCH w/CABLE GEWIS 12/GRAY
	313403024	FLUSH SWITCH w/CABLE GEWIS 24/GRAY
N/S	385310854	ACCESS COVER MOUNTING KIT
N/S	385311417	KIT, BASE DRIVE ARMS



PARTS LIST: 3448 PLUG IN BASE

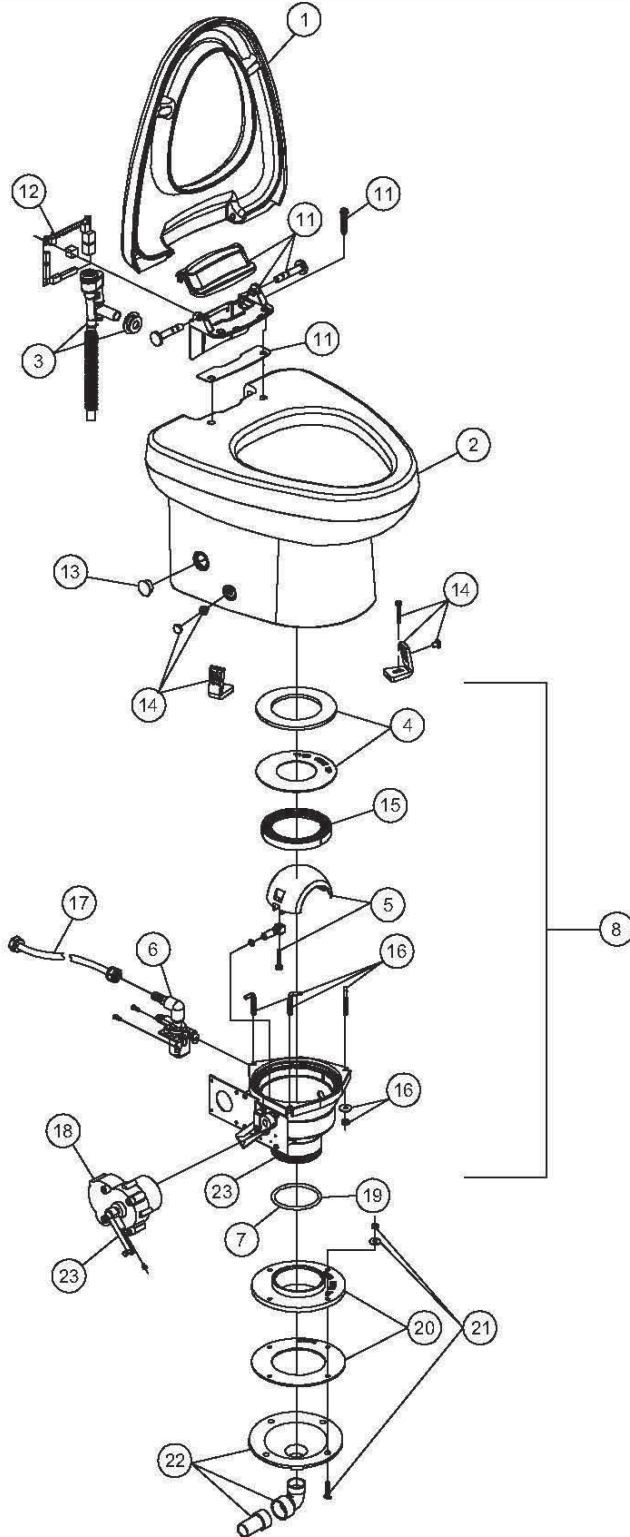


ITEM	PART NUMBER	DESCRIPTION
1	385311001	ACCESS COVER, WHITE
	385311002	ACCESS COVER, BONE
2	385311005	SEAT & COVER - WHITE
	385311006	SEAT & COVER - BONE
3	385311007	CHINA BOWL, WHITE
	385311008	CHINA BOWL, BONE
4	385311009	KIT, SEAL PLUG IN BASE
5	385311292	RING, BASE INSERT
6	385310969	SHAFT/ HALF BALL KIT
7	385310821	WATER VALVE w/MOUNTING SCREWS (12VDC)
	385310845	WATER VALVE w/MOUNTING SCREWS (24VDC)
8	385311011	L- BOLTS/NU TS /WASH/ PLUG IN BASE
9	385311052	BASE PLUG IN (inc. Item 8 - 10)
10	385311294	O/RING 3.1 X 35 X 21
11	385310822	MOTOR & MOUNTING HARDWARE (12VDC)
	385310846	MOTOR & MOUNTING HARDWARE (24VDC)
12	385311018	SUPPLY HOSE
13	385311054	COMPLETE BASE PLUG IN 12VDC (INCLUDES IT BMS 4-11&13)
	385311055	COMPLETE BASE PLUG IN 24VDC (INCLUDES IT BMS 4-11&13)
14	385310679	MOUNTING KIT - WHITE
	385310785	MOUNTING KIT - BONE
15	385310807	VACUUM BREAKER KIT
	385310808	VACUUM BREAKER KIT - WITH SPRAY
16	385310809	HAND SPRAY
17	385310888	CONTROL MODULE 12VDC
	385310890	CONTROL MODULE 24VDC
18	385311131	SPRAY BRACKET
19	385311056	FLOOR FLANGE ADAPTER KIT
	313401012	FLUSH SWITCH w/CABLE VIMAR 12/WHITE
20	313401024	FLUSH SWITCH w/CABLE VIMAR 24/WHITE
	313402012	FLUSH SWITCH w/CABLE VIMAR 12/GRAY
	313402024	FLUSH SWITCH w/CABLE VIMAR 24/GRAY
21	313403012	FLUSH SWITCH w/CABLE GEWIS 12/GRAY
	313403024	FLUSH SWITCH w/CABLE GEWIS 24/GRAY
N/S	385310854	ACCESS COVER MOUNTING KIT
N/S	385311417	KIT, BASE DRIVE ARMS

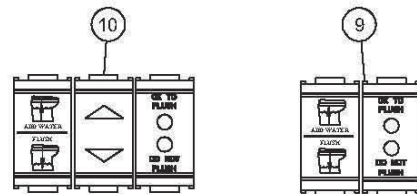


Dometic Corporation - Sanitation Systems
13128 State Rt. 226, P.O. Box 38
Big Prairie, OH 44611-0038 USA
Telephone: 330-496-3211
Fax: 330-496-3097
Email: sealand@dometicusa.com

PARTS LIST: 3606 PLUG IN BASE

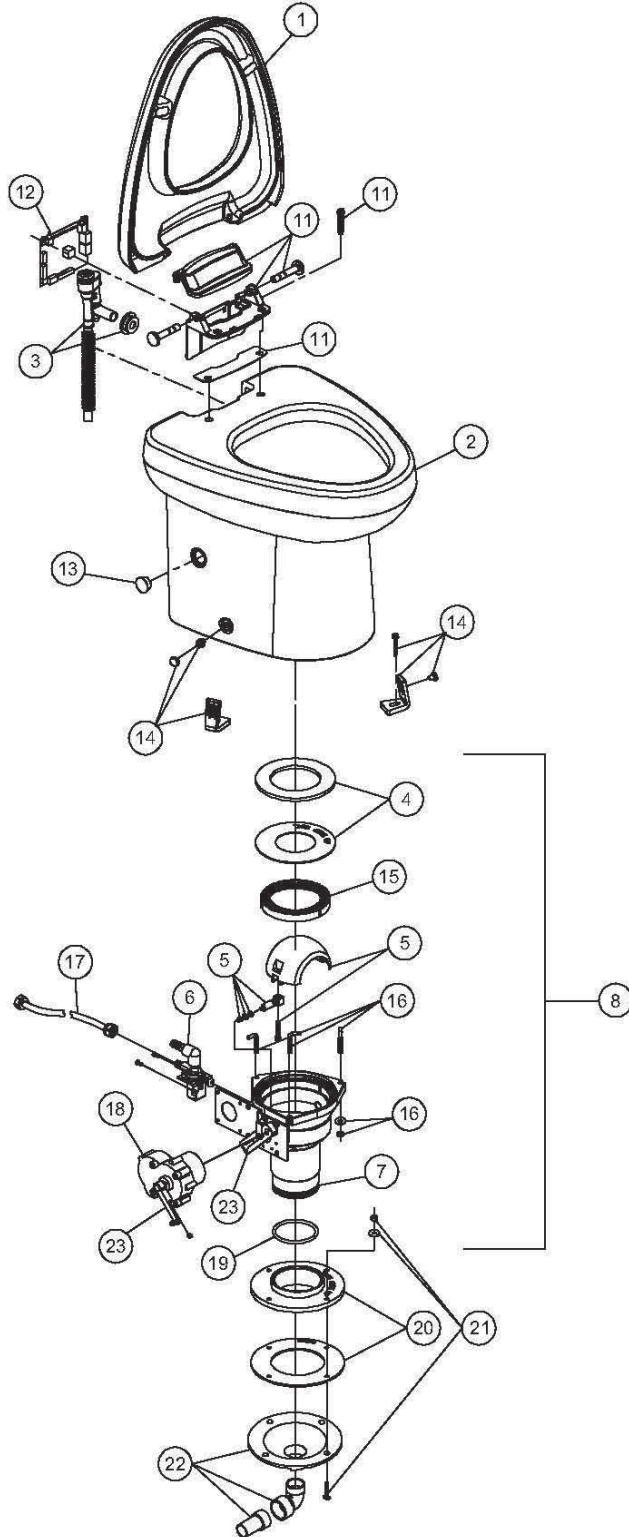


ITEM	PART NUMBER	DESCRIPTION
1	385311061	SEAT & COVER , WHITE
	385311062	SEAT & COVER , BONE
2	385311201	CHINA BOWL , WHITE
	385311202	CHINA BOWL , BONE
3	385310807	VACUUM BREAKER ASSEMBLY
4	385311009	KIT, SEAL PLUG IN BASE
5	385310969	SHAFT/ HALF BALL KIT
6	385310821	WATER VALVE w/MOUNTING SCREWS (12VDC)
	385310845	WATER VALVE w/MOUNTING SCREWS (24VDC)
7	385311053	KIT, BASE '08 PLUG IN (includes item 4,5,15,16,19)
8	385311312	COMPLETE BASE 12VDC PLUG IN (INCLUDES ITEMS 4-7, 15-18)
	385311313	COMPLETE BASE 24VDC PLUG IN (INCLUDES ITEMS 4-7, 15-18)
9	313401012	FLUSH SWITCH w/CABLE VIMAR 12/WHITE
	313401024	FLUSH SWITCH w/CABLE VIMAR 24/WHITE
	313402012	FLUSH SWITCH w/CABLE VIMAR 12/GRAY
	313402024	FLUSH SWITCH w/CABLE VIMAR 24/GRAY
10	313403012	FLUSH SWITCH w/CABLE GEWIS 12/GRAY
	313403024	FLUSH SWITCH w/CABLE GEWIS 24/GRAY
11	385311060	CIRCUIT BOARD COVER
12	385311058	3800 CIRCUIT BOARD 12VDC
	385311059	3800 CIRCUIT BOARD 24VDC
13	600344788	MANUAL OVERRIDE PLUG WHITE
	600344800	MANUAL OVERRIDE PLUG BONE
14	385311057	MOUNTING KIT
15	385311292	RING BASE INSERT
16	385311011	L- BOLTS/NUTS /WASH/ PLUG IN BASE
17	385311018	SUPPLY HOSE
18	385310822	MOTOR & MOUNTING HARDWARE (12VDC)
	385310846	MOTOR & MOUNTING HARDWARE (24VDC)
19	385311294	O'RING 3.1 X 3.5 X .21
20	385311013	FLOOR FLANGE ADPT (INC. ITEM 21)
21	385310064	MOUNTING HARDWARE
22	385318864	FUNNEL KIT (INC. ITEM 21)
23	385311417	KIT, BASE DRIVE ARMS

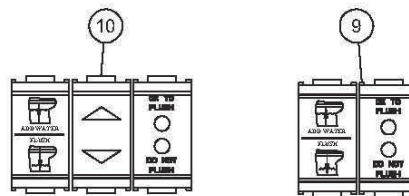


Dometic Corporation - Sanitation Systems
13128 State Rt. 226, P.O. Box 38
Big Prairie, OH 44611-0038 USA
Telephone: 330-496-3211
Fax: 330-496-3097
Email: sealand@dometicusa.com

PARTS LIST: 3609 PLUG IN BASE

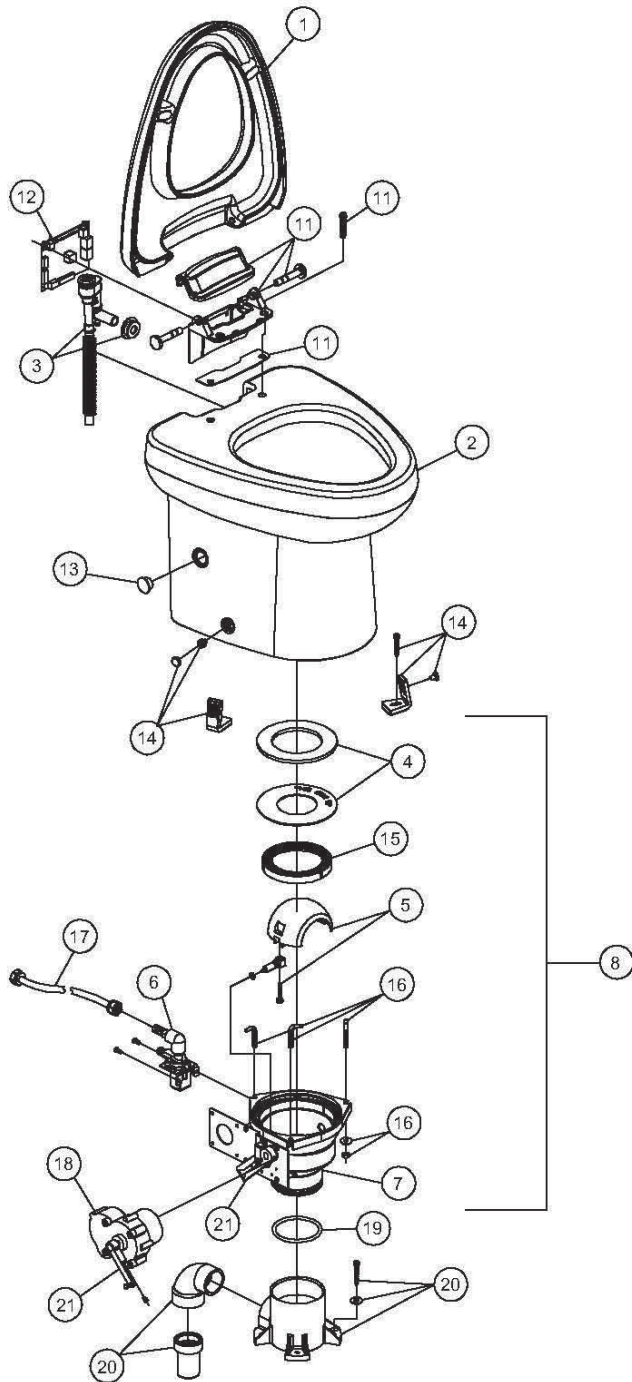


ITEM	PART NUMBER	DESCRIPTION
1	385311061	SEAT & COVER , WHITE
	385311062	SEAT & COVER , BONE
2	385311063	CHINA BOWL, WHITE
	385311064	CHINA BOWL, BONE
3	385310807	VACUUM BREAKER ASSEMBLY
4	385311009	KIT, SEAL PLUG IN BASE
5	385310969	SHAFT/ HALF BALL KIT
6	385310821	WATER VALVE w/MOUNTING SCREWS (12VDC)
	385310845	WATER VALVE w/MOUNTING SCREWS (24VDC)
7	385311051	BASE PLUG IN
8	385311050	COMPLETE BASE 12VDC PLUG IN (INCLUDES ITEMS 4-7, 14,15)
	385311170	COMPLETE BASE 24VDC PLUG IN (INCLUDES ITEMS 4-7, 14,16,18,22)
9	313401012	FLUSH SWITCH w/CABLE VIMAR 12/WHITE
	313401024	FLUSH SWITCH w/CABLE VIMAR 24/WHITE
	313402012	FLUSH SWITCH w/CABLE VIMAR 12/GRAY
	313402024	FLUSH SWITCH w/CABLE VIMAR 24/GRAY
10	313403012	FLUSH SWITCH w/CABLE GEWIS 12/GRAY
	313403024	FLUSH SWITCH w/CABLE GEWIS 24/GRAY
11	385311060	CIRCUIT BOARD COVER
12	385311058	3600 CIRCUIT BOARD 12VDC
	385311059	3600 CIRCUIT BOARD 24VDC
13	600344788	MANUAL OVERRIDE PLUG WHITE
	600344800	MANUAL OVERRIDE PLUG BONE
14	385311057	MOUNTING KIT
15	385311292	RING BASE INSERT
16	385311011	L- BOLTS/NUTS /WASH/ PLUG IN BASE
17	385311018	SUPPLY HOSE
18	385310822	MOTOR & MOUNTING HARDWARE (12VDC)
	385310846	MOTOR & MOUNTING HARDWARE (24VDC)
19	385311294	O'RING 3.1 X 3.5 X .21
20	385311013	FLOOR FLANGE ADAPTER KIT (includes item 21)
21	385310064	MOUNTING HARDWARE
22	385318864	MOUNTING FUNNEL (includes item 21)
23	385311417	KIT, BASE DRIVE ARMS

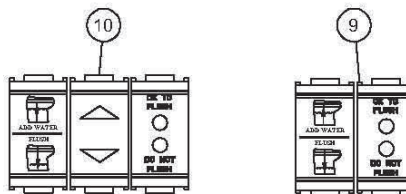


Dometic Corporation - Sanitation Systems
13128 State Rt. 226, P.O. Box 38
Big Prairie, OH 44611-0038 USA
Telephone: 330-496-3211
Fax: 330-496-3097
Email: sealand@dometicusa.com

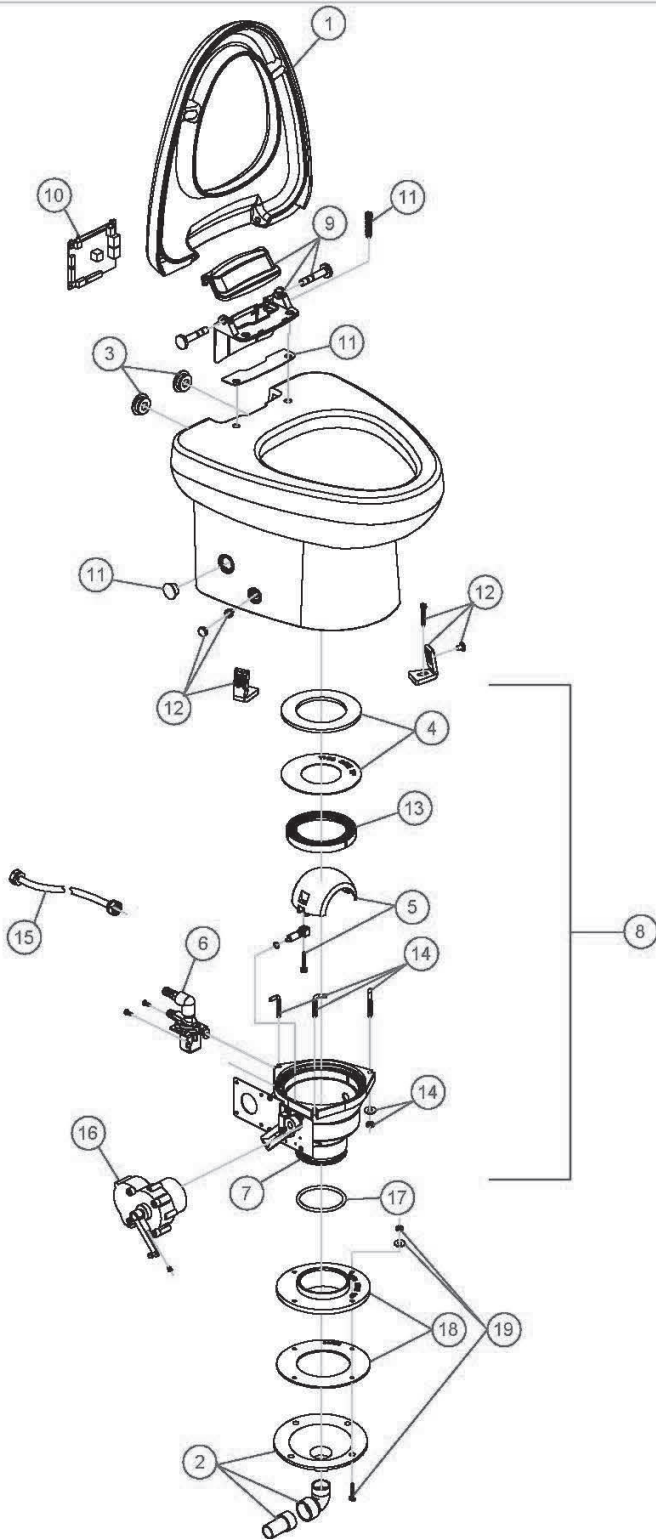
PARTS LIST: 3648 PLUG IN BASE



ITEM	PART NUMBER	DESCRIPTION
1	385311061	SEAT & COVER , WHITE
	385311062	SEAT & COVER , BONE
2	385311063	CHINA BOWL, WHITE
	385311064	CHINA BOWL, BONE
3	385310807	VACUUM BREAKER ASSEMBLY
4	385311009	KIT, SEAL PLUG IN BASE
5	385310969	SHAFT/ HALF BALL KIT
6	385310821	WATER VALVE w/MOUNTING SCREWS (12VDC)
	385310845	WATER VALVE w/MOUNTING SCREWS (24VDC)
7	385311052	BASE PLUG IN (Includes Item 4,5,15,16,19)
8	385311054	COMPLETE BASE 12VDC PLUG IN (INCLUDES ITEMS 47,15-20)
	385311055	COMPLETE BASE 24VDC PLUG IN (INCLUDES ITEMS 47,15-20)
9	313401012	FLUSH SWITCH w/CABLE VIMAR 12/WHITE
	313401024	FLUSH SWITCH w/CABLE VIMAR 24/WHITE
	313402012	FLUSH SWITCH w/CABLE VIMAR 12/GRAY
	313402024	FLUSH SWITCH w/CABLE VIMAR 24/GRAY
10	313403012	FLUSH SWITCH w/CABLE GEWS 12/GRAY
	313403024	FLUSH SWITCH w/CABLE GEWS 24/GRAY
11	385311060	CIRCUIT BOARD COVER
12	385311058	3600 CIRCUIT BOARD 12VDC
	385311059	3600 CIRCUIT BOARD 24VDC
13	600344788	MANUAL OVERRIDE PLUG WHITE
	600344800	MANUAL OVERRIDE PLUG BONE
14	385311057	MOUNTING KIT
15	385311292	RING BASE INSERT
16	385311011	L- BOLTS/NUTS /WASH/ PLUG IN BASE
17	385311018	SUPPLY HOSE
18	385310822	MOTOR & MOUNTING HARDWARE (12VDC)
	385310846	MOTOR & MOUNTING HARDWARE (24VDC)
19	385311294	KIT, O'RING PLUG-IN BASE
20	385311056	ADAPTER 48 PLUG IN
21	385311417	KIT, BASE DRIVE ARMS

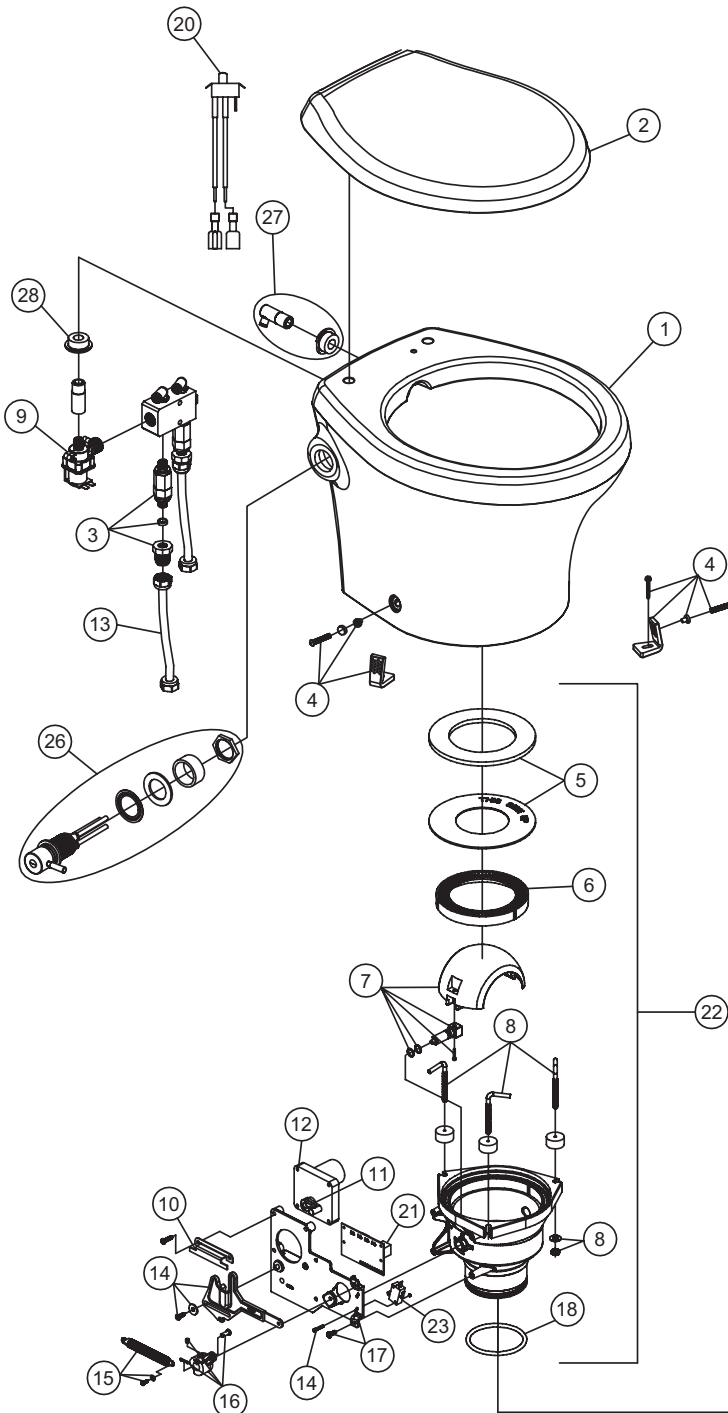


PARTS LIST: 3626 PLUG IN BASE

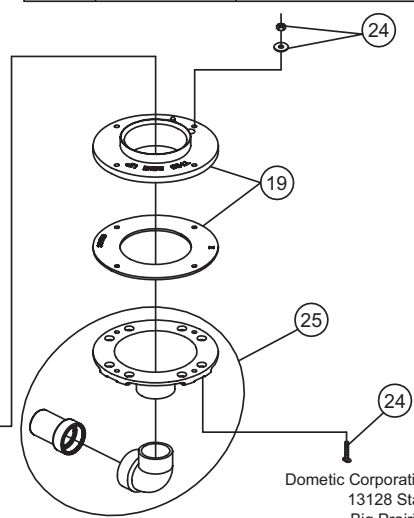


ITEM	PART NUMBER	DESCRIPTION
1	385311061	KIT, 3600 SEAT & CVR-WHITE
	385311062	KIT, 3600 SEAT & CVR-BONE
2	385318864	FUNNEL KIT (INC. ITEM 21)
3	385311164	KIT, SEALING GROMMET 1/2"
4	385311009	KIT, SEAL PLUG IN BASE
5	385310969	KIT, MO HALF'BL/SHAFT AY-WHT
	385310821	WATER VALVE w/MOUNTING SCREWS (12VDC)
6	385310845	WATER VALVE w/MOUNTING SCREWS (24VDC)
	385311053	KIT, BASE '06 PLUG IN (INC. 4,5,15,16,19)
8	385311312	COMPLETE BASE 12VDC PLUG IN (INC. 4-7, 15-19)
	385311313	COMPLETE BASE 24VDC PLUG IN (INC. 4-7, 15-19)
9	385311060	KIT, 3600 COVER CIRCUIT BOARD
10	385311637	KIT, CIRCUIT BOARD-12VDC/3626
	385311638	KIT, CIRCUIT BOARD-24VDC/3626
11	600344788	MANUAL OVERRIDE PLUG WHITE
	600344800	MANUAL OVERRIDE PLUG BONE
12	385311057	KIT, 3600 CHINA MTG
13	385311292	KIT, BASE RING INSERT
14	385311011	L- BOLTS/NUTS /WASH/ PLUG IN BASE
15	385311018	KIT, PLUG-IN SUPPLY HOSE
16	385310822	MOTOR & MOUNTING HARDWARE (12VDC)
	385310846	MOTOR & MOUNTING HARDWARE (24VDC)
17	385311294	KIT, O'RING PLUG-IN BASE
18	385311013	FLOOR FLANGE ADPT (INC. ITEM 21)
19	385310064	MOUNTING HARDWARE
N/S	385311417	KIT, BASE DRIVE ARMS
N/S	385311639	KIT, FLUSH SWITCH 3626/12VDC
	385311640	KIT, FLUSH SWITCH 3626/24VDC
N/S	385311636	KIT, MIXING VALVE 3626

PARTS LIST: 4826 COMBO BIDET

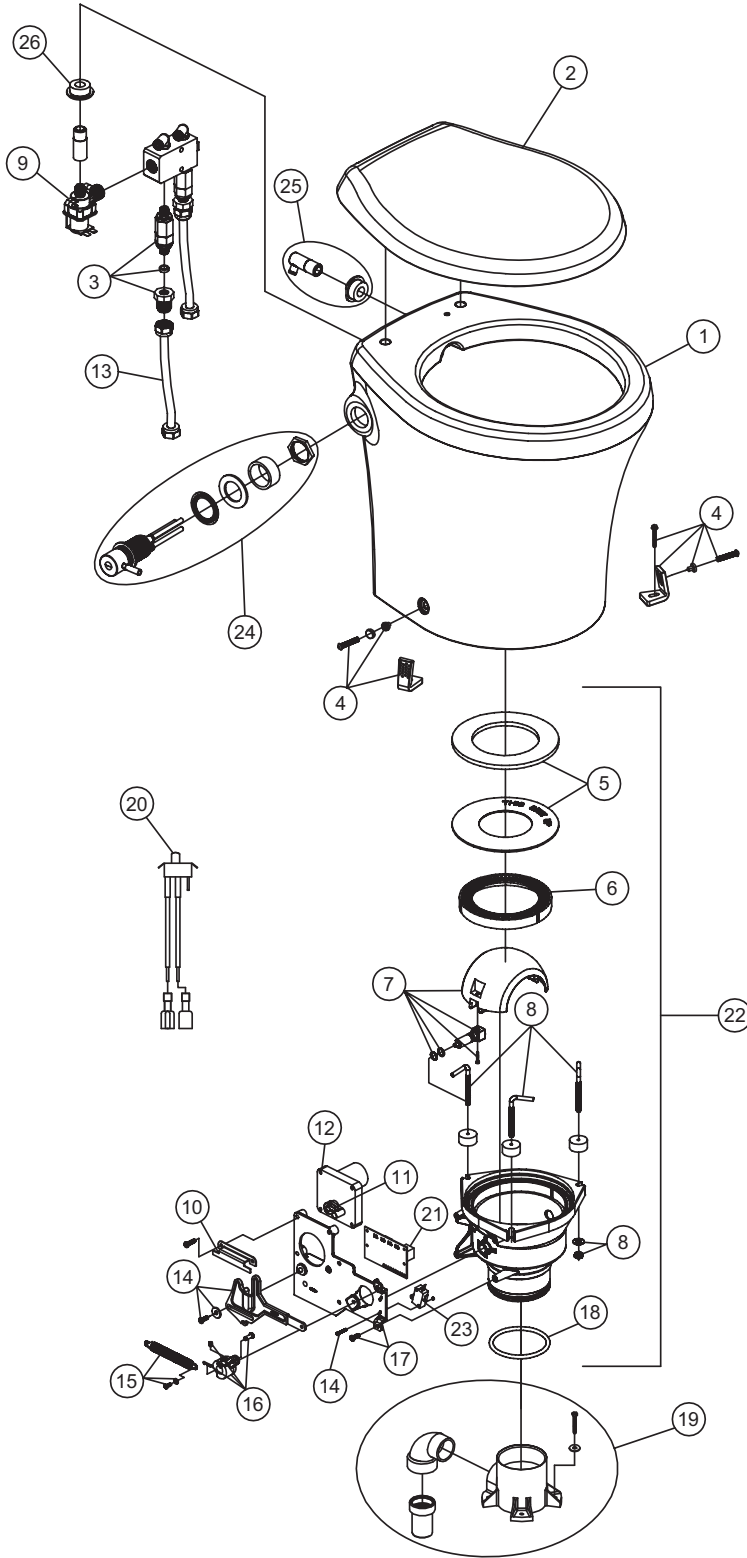


ITEM	PART NUMBER	DESCRIPTION
1	385311746	KIT, BOWL 4800 ST W/BIDET-WHT
	385311747	KIT, BOWL 4800 ST W/BIDET-BONE
2	385311618	KIT, SEAT/CVR SLOW-CLOSE/WHT
	385311383	KIT, SEAT-CV'R 4800-BONE
3	385311727	KIT, BIDET CHECKVALVE
4	385311463	KIT, 4800 CHINA MTG
5	385311009	KIT, SEAL PLUG IN BASE
6	385311292	KIT, BASE RING INSERT
7	385310969	SHAFT/ HALF BALL KIT
8	385311011	L- BOLTS/NUTS /WASH/ PLUG IN BASE
9	385880074	KIT, WATERVALVE 12VDC-MFLUSH
	385880075	KIT, WATERVALVE 24VDC-MFLUSH
10	385311429	KIT, LINKAGE GUIDE BRACKET
11	385311299	KIT, MTR DRIVE ARM 4300/4400
12	385311300	KIT, MOTOR REPL 4800 (INC. ITEM 11) 12VDC
	385311390	KIT, MOTOR REPL 4800 (INC. ITEM 11) 24VDC
13	385311018	KIT, PLUG-IN SUPPLY HOSE
14	385311392	KIT, LINKAGE DRIVE 4800
15	3853111393	KIT, FLUSH SPRING 4800
16	385311296	KIT, ROTOR SHAFT CAM 4300/4400
17	385311394	KIT, MTG BRACKET 4800
18	385311294	KIT, O'RING PLUG-IN BASE
19	385311013	KIT, CON'TO FLOOR FLANGE ADPT
20	385311691	KIT, 4800 MODE SWITCH
21	385311690	KIT, CIRUITBD MECHANICAL BASE
THE FOLLOWING BASE KITS CONTAIN ITEMS 5-8,10-12,14-18,21,23		
22	385311740	KIT, BASE 4826 W/BIDET COMP-12
	385311741	KIT, BASE 4826 W/BIDET COMP-24
23	385311003	KIT, CON'TO FLUSH SWITCH
24	385310064	KIT, MOUNT-TRAVELER-506/806
25	385318864	KIT, FUNNEL 506/806/706 (INC. 24)
26	385311721	KIT, BIDET FLUSH VALVE
27	385311722	KIT, BIDET NOZZLE
28	385311164	KIT, SEALING GROMMET 1/2"



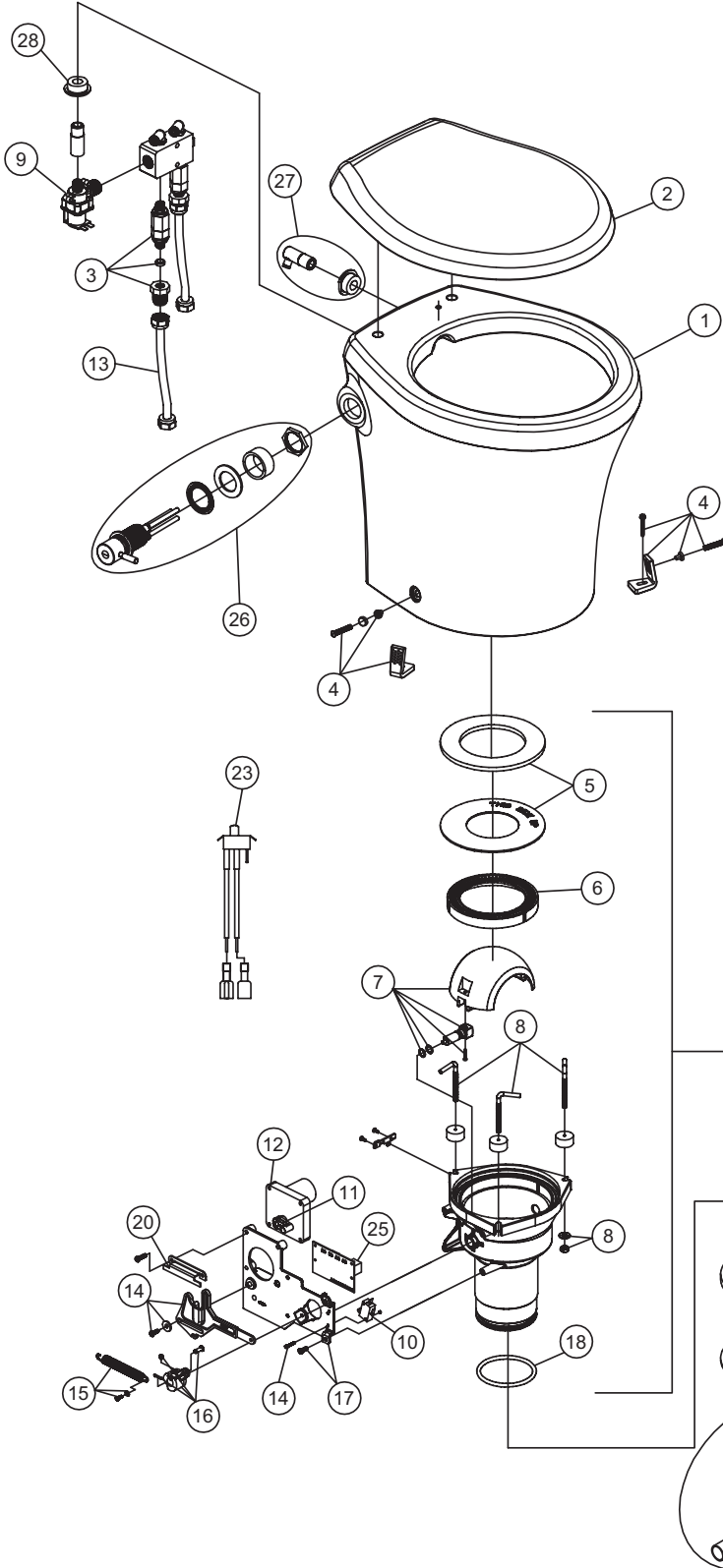
Dometic Corporation - Sanitation Systems
13128 State Rt. 226, P.O. Box 38
Big Prairie, OH 44611-0038 USA
Telephone: 330-496-3211
Fax: 330-496-3097
Email: sealand@dometicusa.com

PARTS LIST: 4828 COMBO BIDET



ITEM	PART NUMBER	DESCRIPTION
1	385311744	KIT, BOWL 4800 TL W/BIDET-WHT
	385311745	KIT, BOWL 4800 TL W/BIDET-BONE
2	385311618	KIT, SEAT/CVR SLOW-CLOSE/WHT
	385311383	KIT, SEAT-CVR 4800-BONE
3	385311727	KIT, BIDET CHECKVALVE
4	385311463	KIT, 4800 CHINA MTG
5	385311009	KIT, SEAL PLUG IN BASE
6	385311292	KIT, BASE RING INSERT
7	385310969	SHAFT/ HALF BALL KIT
8	385311011	L- BOLTS/NUTS /WASH/ PLUG IN BASE
9	385880074	KIT, WATERVALVE 12VDC-M'FLUSH
	385880075	KIT, WATERVALVE 24VDC-M'FLUSH
10	385311429	KIT, LINKAGE GUIDE BRACKET
11	385311299	KIT, MTR DRIVE ARM 4300/4400
12	385311300	KIT, MOTOR REPL 4800 (INC.11) 12VDC
	385311390	KIT, MOTOR REPL 4800 (INC.11) 24VDC
13	385311018	KIT, PLUG-IN SUPPLY HOSE
14	385311392	KIT, LINKAGE DRIVE 4800
15	3853111393	KIT, FLUSH SPRING 4800
16	385311296	KIT, ROTOR SHAFT CAM 4300/4400
17	385311394	KIT, MTG BRACKET 4800 (INC. 10,14-16, 23)
18	385311294	KIT, O'RING PLUG-IN BASE
19	385311056	KIT, PLUGIN BASE '48 ADAPTER
20	385311691	KIT, 4800 MODE SWITCH
21	385311690	KIT, CIRCUITBD MECHANICAL BASE
THE FOLLOWING BASE KITS CONTAIN ITEMS 5-8,10-12,14-18,21,23		
22	385311742	KIT, BASE 4828 W/BIDET COMP-12
	385311743	KIT, BASE 4828 W/BIDET COMP-24
23	385311003	KIT, CON'TO FLUSH SWITCH
24	385311721	KIT, BIDET FLUSH VALVE
25	385311722	KIT, BIDET NOZZLE
26	385311164	KIT, SEALING GROMMET 1/2"

PARTS LIST: 4829 COMBO BIDET



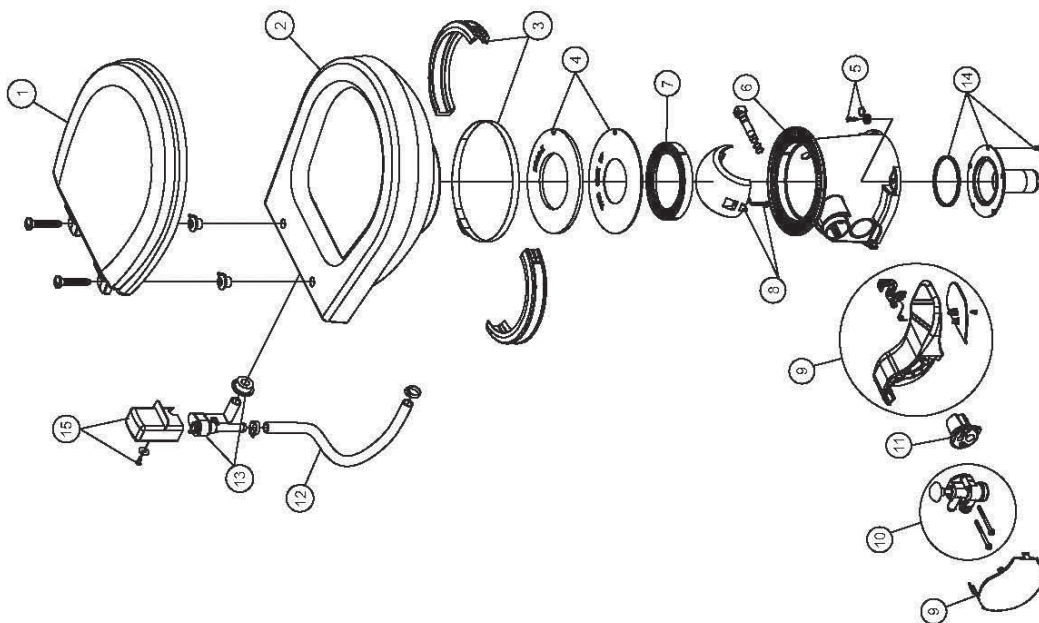
ITEM	PART NUMBER	DESCRIPTION
1	385311744	KIT, BOWL 4800 TL W/BIDET-WHT
	385311745	KIT, BOWL 4800 TL W/BIDET-BONE
2	385311618	KIT, SEAT/CVR SLOW-CLOSE/WHT
	385311383	KIT, SEAT-CV'R 4800-BONE
3	385311727	KIT, BIDET CHECKVALVE
4	385311463	KIT, 4800 CHINA MTG
5	385311009	KIT, SEAL PLUG IN BASE
6	385311292	KIT, BASE RING INSERT
7	385310969	KIT, MO HALFBL/SHAFT AY-WHT
8	385311011	KIT, CON'TO L-BOLT/NUTS/WSHR
9	385880074	KIT, WATERVALVE 12VDC-MFLUSH
	385880075	KIT, WATERVALVE 24VDC-MFLUSH
10	385311673	KIT, FLUSH ACUATION SWITCH
11	385311299	KIT, MTR DRIVE ARM 4300/4400
12	385311300	KIT, MOTOR REPL 4800 (INC. 11) 12VDC
	385311390	KIT, MOTOR REPL 4800 (INC. 11) 24VDC
13	385311018	KIT, PLUG-IN SUPPLY HOSE
14	385311392	KIT, LINKAGE DRIVE 4800
15	385311393	KIT, FLUSH SPRING 4800
16	385311296	KIT, ROTOR SHAFT CAM 4300/4400
17	385311394	KIT, MTG BRACKET 4800 (INC.10,11,14-16,20)
18	385311294	KIT, O'RING PLUG-IN BASE
19	385318864	KIT, FUNNEL 506/806/706 (INC. ITEM 22)
20	385311429	KIT, LINKAGE GUIDE BRACKET
21	385311013	FLOOR FLANGE ADAPTER KIT (INC.22)
22	385310064	KIT, MOUNT-TRAVELER-506/806
23	385311691	KIT, 4800 MODE SWITCH
THE FOLLOWING BASE KITS CONTAIN ITEMS 5-8,10-12,14-18,20,25		
24	385311738	KIT, BASE 4829 W/BIDET COMP-12
	385311739	KIT, BASE 4829 W/BIDET COMP-24
25	385311690	KIT, CIRUITBD MECHANICAL BASE

Dometic Corporation - Sanitation Systems
 13128 State Rt. 226, P.O. Box 38
 Big Prairie, OH 44611-0038 USA
 Telephone: 330-496-3211
 Fax: 330-496-3097
 Email: sealand@dometicusa.com

P/N: 600345272
REV.: 11/09

PARTS LIST: ECOVAC 146 -147-148 -149

ITEM	PART NUMBER				DESCRIPTION
	146	147	148	149	
1		385344436			SEAT ASSEMBLY, WHITE
		385344437			SEAT ASSEMBLY, BONE
2		385310676			CHINA BOWL KIT, WHITE
		385310781			CHINA BOWL KIT, BONE
3		385310025			BAND AND HALF CLAMP, KIT WHITE
		385310048			BAND AND HALF CLAMP, KIT BONE
4		385311462			KIT, SEAL KIT-VACUFLUSH
		385310679			MOUNTING HARDWARE - WHITE
		385310785			MOUNTING HARDWARE - BONE
6	385311711	385310685	385310686	385310975	BASE KIT, WHITE (INC. 3-11 & 14)
	385311712	385310783	385310784	385310976	BASE KIT, BONE (INC. 3-11 & 14)
7		385311292			KIT, BASE RING INSERT
8		385310954			KIT, BALL/BRASS SHAFT/P CART (INC. 11)
9		385310682			PEDAL KIT, WHITE (INC. 11)
		385310762			PEDAL KIT, BONE (INC. 11)
10		385314349			WATER VALVE, KIT
11		385310683			SPRING CARTRIDGE, KIT
12		385340177			HOSE, SUPPLY - BONE.
		385345377			HOSE, SUPPLY - WHITE
13		385310687			VACUUM BREAKER, KIT
14	385311713	385310680	385310680	385310936	DISCHARGE KIT
		385310696			VACUUM BREAKER COVER WHITE
15		385310782			VACUUM BREAKER COVER BONE



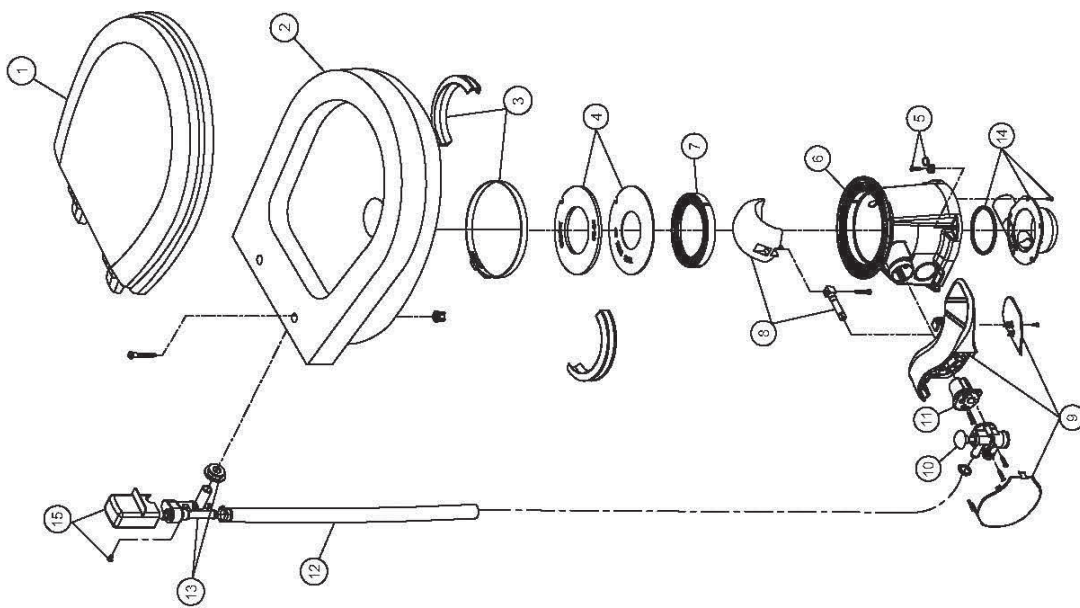
TOILET MODEL	DISCHARGE LOCATION
146	THROUGH THE FLOOR
147	OPPOSITE PEDAL
148	REAR OF TOILET
149	UNDER PEDAL

Dometic Corporation - Sanitation Systems
13128 Slate Rt. 226, P.O. Box 38
Big Prairie, OH 44611-0038 USA
Telephone: 330-496-3211
Fax: 330-496-3097
Email: sealand@dometicusa.com

P/N: 600345396
REV.: 03/09

PARTS LIST: ECOVAC 157-158-159

ITEM	PART NUMBER			DESCRIPTION
	157	158	159	
1	385344436			SEAT ASSEMBLY, WHITE
	385344437			SEAT ASSEMBLY, BONE
2	385310676			CHINA BOWL KIT, WHITE
	385310781			CHINA BOWL KIT, BONE
3	385310025			BAND AND HALF CLAMP, KIT WHITE
	385310048			BAND AND HALF CLAMP, KIT BONE
4	385316140			SEAL REPLACEMENT, KIT
5	385310679			MOUNTING HARDWARE - WHITE
	385310785			MOUNTING HARDWARE - BONE
6	385311446	385311451	385311453	BASE KIT, WHITE (INC. 3-11 & 14)
	385311447	385311452	385311454	BASE KIT, BONE (INC. 3-11 & 14)
7	385311292			BASE RING
8	385310954			KIT, BALL/BRASS SHAFT/P CART (INC. 11)
9	385311448			PEDAL KIT, WHITE (INC. 11)
	385311449			PEDAL KIT, BONE (INC. 11)
10	385314349			WATER VALVE, KIT
11	385310683			SPRING CARTRIDGE, KIT
12	385340177			HOSE, SUPPLY - BONE.
	385345377			HOSE, SUPPLY - WHITE
13	385310687			VACUUM BREAKER, KIT
14	385310680	385310688	385310936	DISCHARGE KIT
		385310696		VACUUM BREAKER COVER WHITE
15		385310782		VACUUM BREAKER COVER BONE

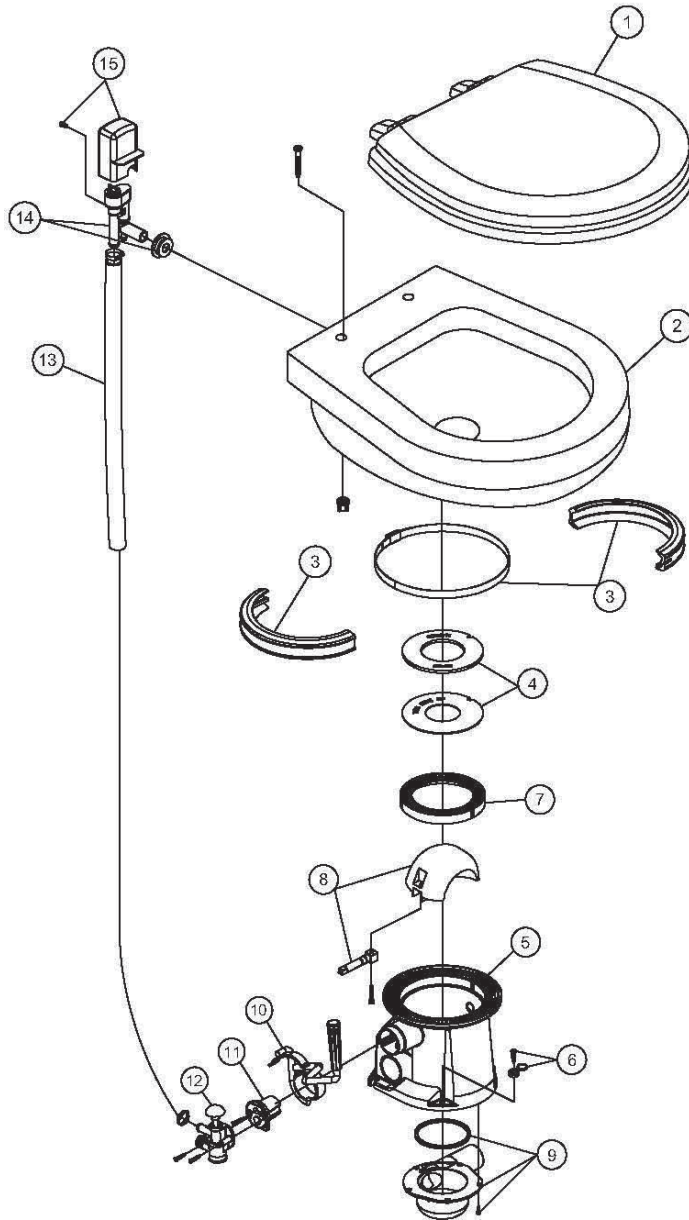


TOILET MODEL	DISCHARGE LOCATION
157	OPPOSITE PEDAL
158	REAR OF TOILET
159	UNDER PEDAL

Dometic Corporation - Sanitation Systems
13128 State Rt. 226, P. O. Box 38
Big Prairie, OH 44611-0038 USA
Telephone: 330-496-3211
Fax: 330-496-3067
Email: sealand@dometicus.com

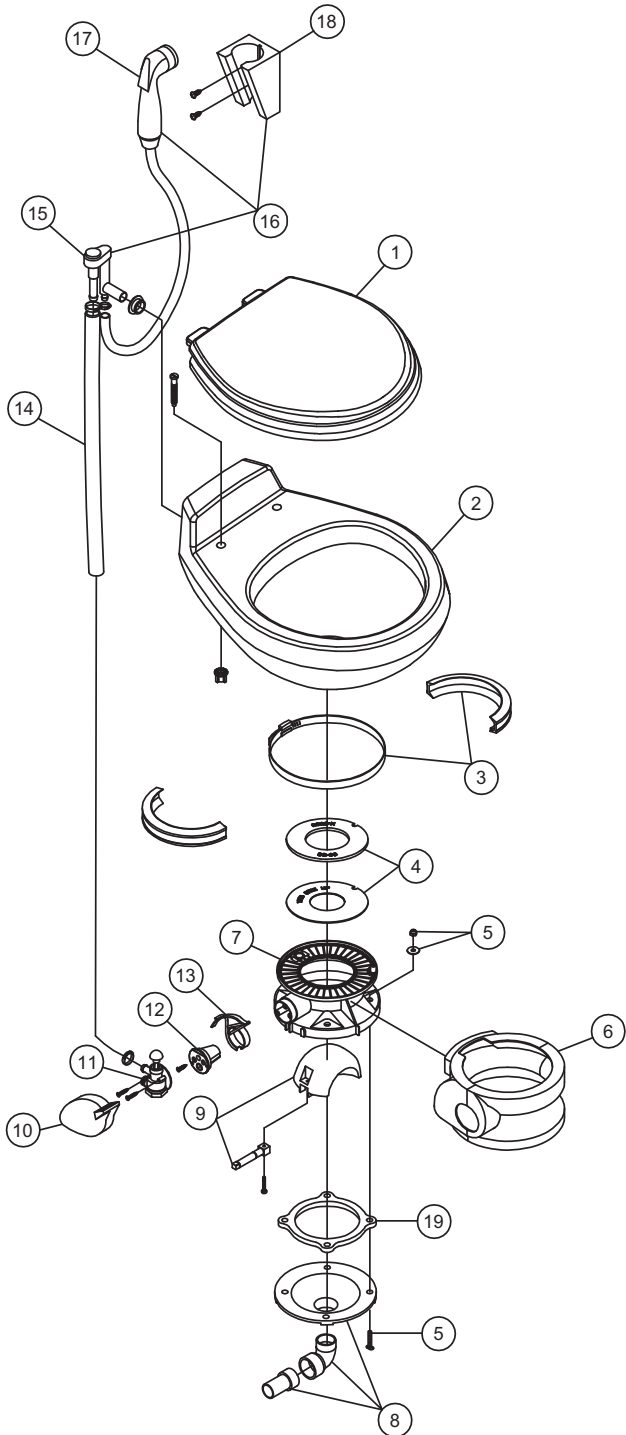
PARTS LIST: VACUFLUSH 168

ITEM	PART NO.	DESCRIPTION	ITEM	PART NO.	DESCRIPTION
1	385344436	SEAT & LID ASSEMBLY, WHITE	9	385310680	KIT, DISCHARGE
2	385310676	CHINA BOWL, WHITE	10	385311204	HAND FLUSH KIT- (inc.item 11)
3	385310025	HALF CLAMP KIT, WHITE	11	385236096	SPRING CARTRIDGE KIT
4	385311462	RUBBER SEAL KIT	12	385314349	WATER VALVE KIT
5	385311158	BASE KIT, WHITE (inc. items 3 -12)	13	385345377	SUPPLY HOSE, WHITE
6	385310679	MOUNTING KIT	14	385310687	VACUUM BREAKER KIT
7	385311292	RING, BASE INSERT	15	385310696	VACUUM BREAKER COVER
8	385318162	BALL/SHAFT/CARTRIDGE KIT (inc. item 11)			



Dometic Corporation - Sanitation Systems
13128 State Rt. 226, P.O. Box 38
Big Prairie, OH 44611-0038 USA
Telephone: 330-496-3211
Fax: 330-496-3097
Email: sealand@dometicusa.com

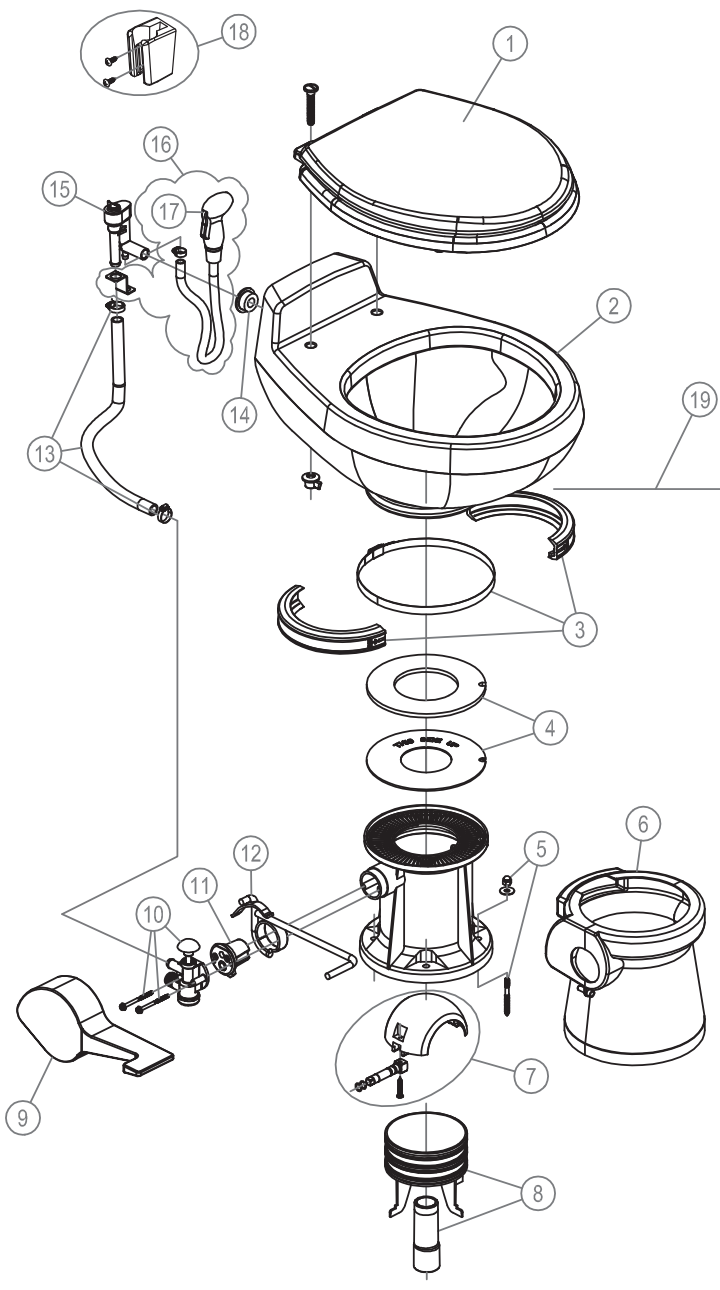
PARTS LIST: 506+



ITEM	PART NO.	DESCRIPTION
1	385343829	KIT, SEAT-CV'R 500+ - WHITE
	385343831	KIT, SEAT-CV'R 500+ - BONE
	385343897	KIT, SEAT-CV'R 500+ - PLAT
	385343901	KIT, SEAT-CV'R 500+ - EBONY
2	385310739	CHINA BOWL KIT, WHITE
	385310740	CHINA BOWL KIT, BONE
	385310741	CHINA BOWL KIT, PLATINUM
	385310742	CHINA BOWL KIT, EBONY
3	385310048	BAND AND HALF CLAMP, KIT
4	385311462	SEAL REPLACEMENT , KIT
5	385310064	MOUNTING HARDWARE
6	385310108	PEDESTAL COVER KIT , WHITE
	385310109	PEDESTAL COVER KIT , BONE
	385310110	PEDESTAL COVER KIT , PLATINUM
	385310600	PEDESTAL COVER KIT , EBONY
7	385310132	BASE KIT, WHITE (inc items 3-13 & 19)
	385310133	BASE KIT, BONE (inc items 3-13 & 19)
	385310134	BASE KIT, PLATINUM (inc items 3-13 & 19)
	385310607	BASE KIT, EBONY (inc items 3-13 & 19)
8	385318864	FUNNEL, KIT (inc. item 5 & 19)
9	385318162	KIT,BALL,SHAFT & CART, WHITE(inc. item 12)
	385310177	KIT,BALL,SHAFT & CART, EBONY(inc. item 12)
10	385310117	PEDAL COVER, WHITE
	385310118	PEDAL COVER, BONE
	385310119	PEDAL COVER, PLATINUM
	385310593	PEDAL COVER, EBONY
11	385314349	WATER VALVE, KIT
12	385236096	SPRING CARTRIDGE, KIT
13	385310579	PEDAL, CARTRIDGE, KIT (inc. item 12)
14	385340177	HOSE, SUPPLY - BONE, EBONY, PLAT
	385345377	HOSE, SUPPLY - WHITE
15	385316906	VACUUM BREAKER, KIT - WITHOUT SPRAY
	385230335	VACUUM BREAKER, KIT - WITH SPRAY
16	385319056	VACUUM BREAKER,SPR & BRK,KIT CHROME
	385319057	VACUUM BREAKER,SPR & BRK,KIT EBONY
17	385310873	HAND SPRAY, EBONY
	385310809	HAND SPRAY, CHROME
18	385311125	BRACKET, HAND SPRAY EBONY
	385311131	BRACKET, HAND SPRAY CHROME
19	385310063	FLOOR FLANGE, KIT (inc. item 5)

Dometic Corporation - Sanitation Systems
13128 State Rt. 226, P.O. Box 38
Big Prairie, OH 44611-0038 USA
Telephone: 330-496-3211
Fax: 330-496-3097
Email: sealand@dometicusa.com

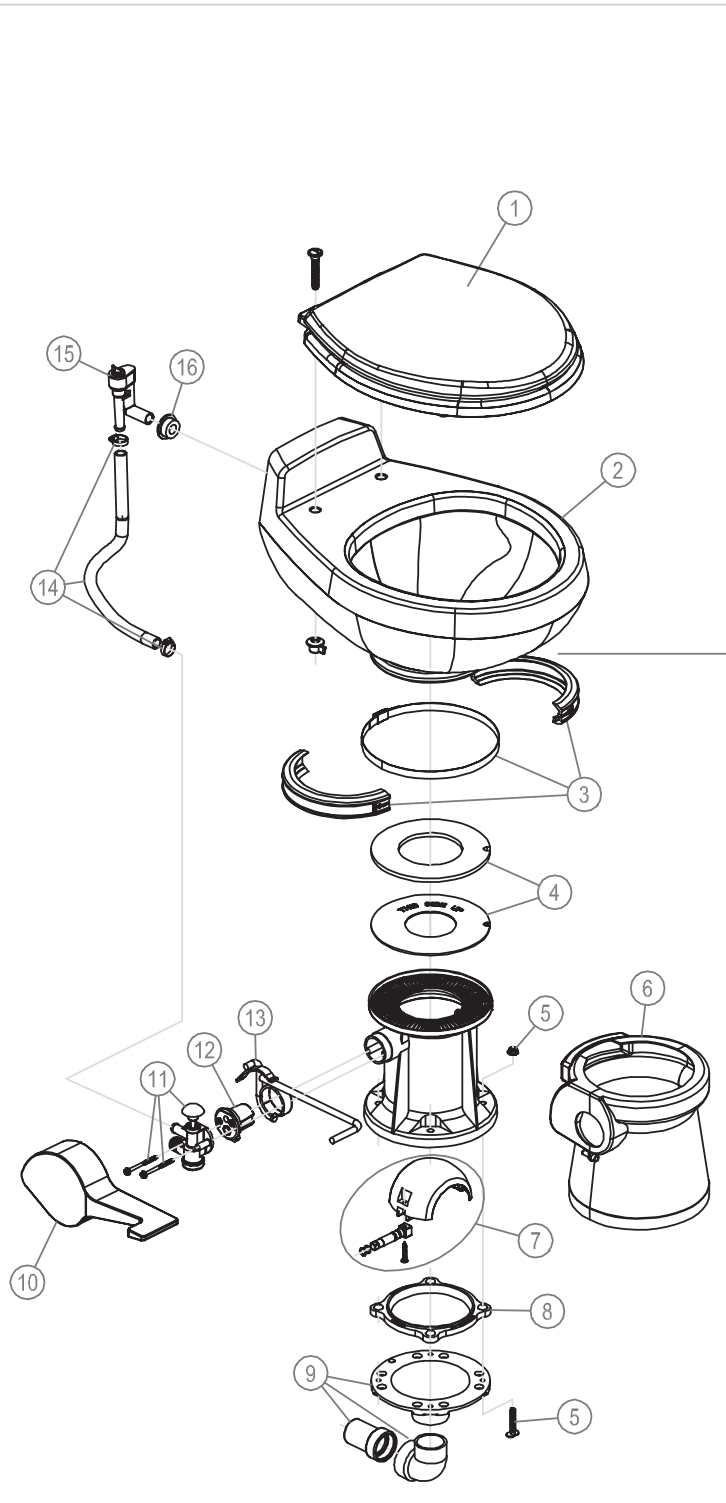
PARTS LIST: VACUFLUSH 508+ SERIES



ITEM	PART NUMBER & DESCRIPTION
1	385343829 SEAT/COVER - WHITE
	385343831 SEAT/COVER - BONE
	385343901 SEAT/COVER - EBONY
2	385310739 CHINA BOWL KIT - WHITE
	385310740 CHINA BOWL KIT - BONE
	385310742 CHINA BOWL KIT - EBONY
3	385310048 BOWL/BASE CLAMP KIT
4	385311462 FLUSH BALL SEAL REPL KIT
5	385316323 MOUNTING HARDWARE
6	385310111 PEDESTAL COVER - WHITE
	385310112 PEDESTAL COVER - BONE
	385310173 PEDESTAL COVER - EBONY
7	385318162 FLUSH BALL, SHAFT, CARTRIDGE KIT-WHITE
	385310177 FLUSH BALL, SHAFT, CARTRIDGE KIT-EBONY **INCLUDES ITEM 11.
8	385318741 '08 DISCHARGE FUNNEL KIT
9	385310114 PEDAL COVER - WHITE
	385310115 PEDAL COVER - BONE
	385310175 PEDAL COVER - EBONY
10	385314349 WATER VALVE KIT
11	385236096 SPRING CARTRIDGE KIT
12	385310578 PEDAL/LEVER & CARTRIDGE KIT
	**INCLUDES ITEM 11.
13	385345377 BOWL WATER SUPPLY HOSE - WHITE
	385340177 BOWL WATER SUPPLY HOSE - BONE
14	385311164 1/2" SEALING GROMMET
15	385316906 VACUUM BREAKER KIT
	385230335 VACUUM BREAKER KIT w/HAND SPRAY **INCLUDES ITEM 14.
16*	385319056 HAND SPRAY KIT w/VAC BREAKER-WHT
	385319057 HAND SPRAY KIT W/VAC BREAKER-EBY **INCLUDES ITEM 14, 15, 17
17*	385310809 HAND SPRAYER - CHROME
	385310873 HAND SPRAYER - EBONY **INCLUDES ITEM 18.
18*	385311131 HAND SPRAY BRACKET w/SCREWS - CHROME
	385311125 HAND SPRAY BRACKET w/SCREWS - EBONY
19	385310126 '08 BASE KIT METAL LEVER - WHITE
	385310127 '08 BASE KIT METAL LEVER - BONE
	385310171 '08 BASE KIT METAL LEVER - EBONY **INCLUDES ITEMS 3-12

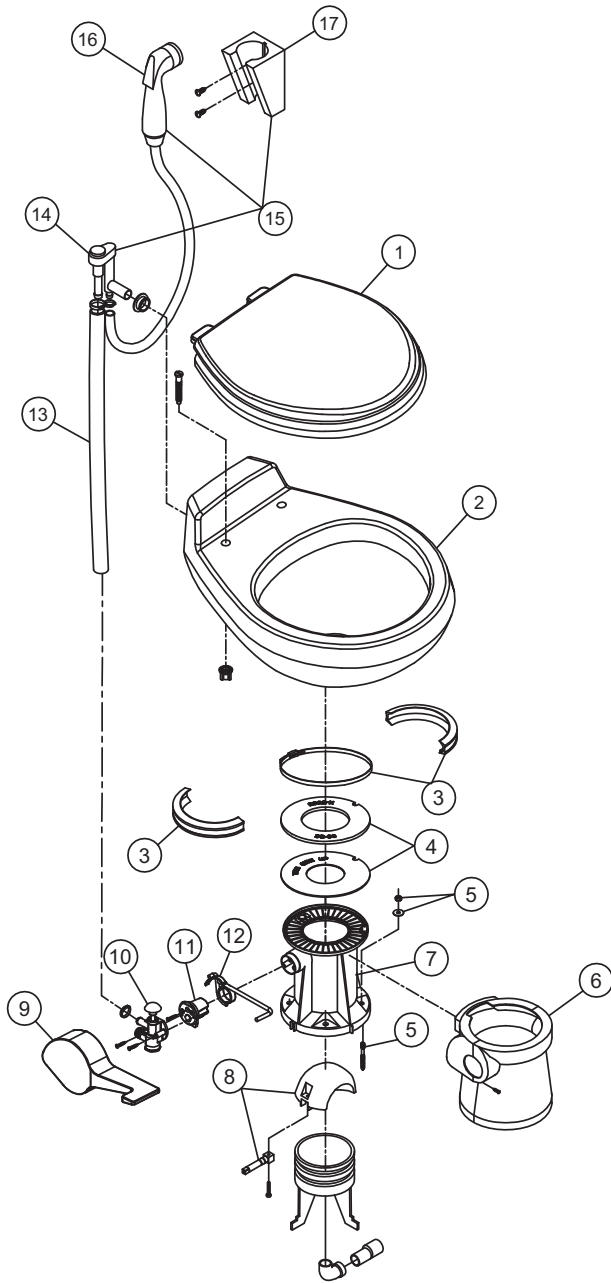
* ITEMS 16, 17, & 18 ARE OPTIONAL ACCESSORIES;
NOT PROVIDED WITH EVERY MODEL.

PARTS LIST: VACUFLUSH 509+ SERIES



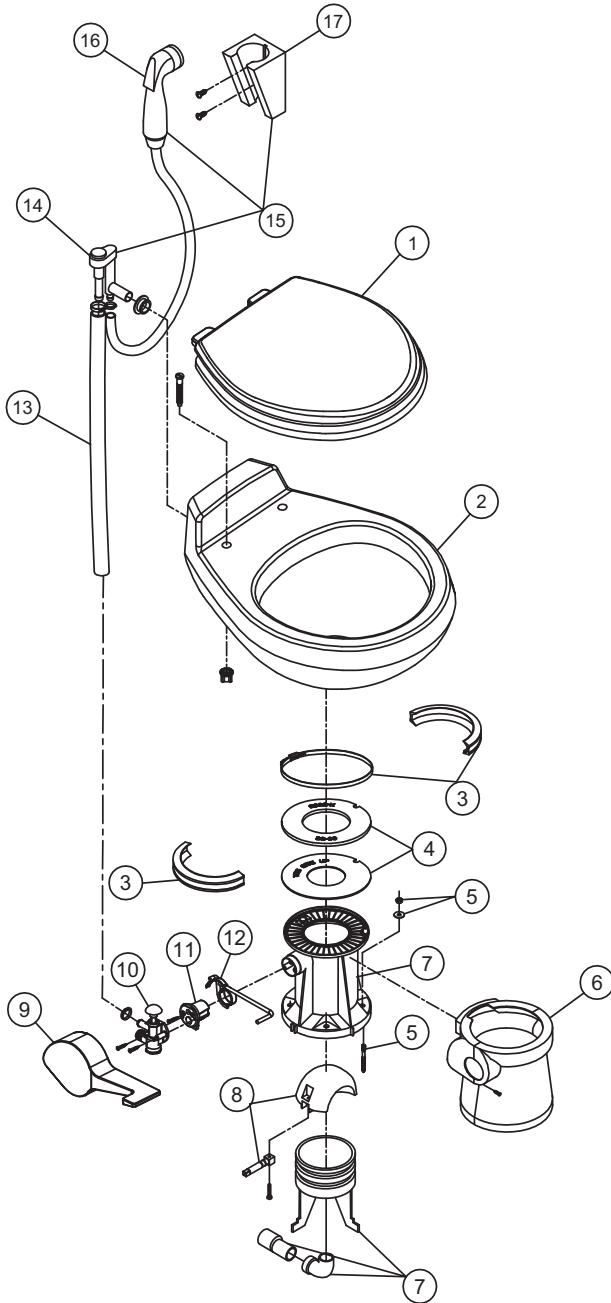
ITEM	PART NUMBER & DESCRIPTION
1	385343829 SEAT/COVER - WHITE 385343831 SEAT/COVER - BONE
2	385310739 CHINA BOWL KIT - WHITE 385310740 CHINA BOWL KIT - BONE
3	385310048 BOWL/BASE CLAMP KIT
4	385311462 FLUSH BALL SEAL REP'L KIT
5	385310064 MOUNTING HARDWARE
6	385310111 PEDESTAL COVER - WHITE 385310112 PEDESTAL COVER - BONE
7	385318162 FLUSH BALL, SHAFT, CARTRIDGE KIT **INCLUDES ITEM 12
8	385310063 FLOOR FLANGE SEAL **INCLUDES ITEM 5
9	385318864 FUNNEL KIT ('06/'09 MODELS) **INCLUDES ITEM 5 & 8
10	385310114 PEDAL COVER - WHITE 385310115 PEDAL COVER - BONE
11	385314349 WATER VALVE KIT
12	385236096 SPRING CARTRIDGE KIT
13	385310578 PEDAL/LEVER & CARTRIDGE KIT **INCLUDES ITEM 12
14	385345377 BOWL WATER SUPPLY HOSE - WHITE 385340177 BOWL WATER SUPPLY HOSE - BONE
15	385316906 VACUUM BREAKER KIT **INCLUDES ITEM 16
16	385311164 1/2" SEALING GROMMET
17	385311772 '09 BASE KIT METAL LEVER - WHITE 385311892 '09 BASE KIT METAL LEVER - BONE **INCLUDES ITEMS 3-13

PARTS LIST: 547+



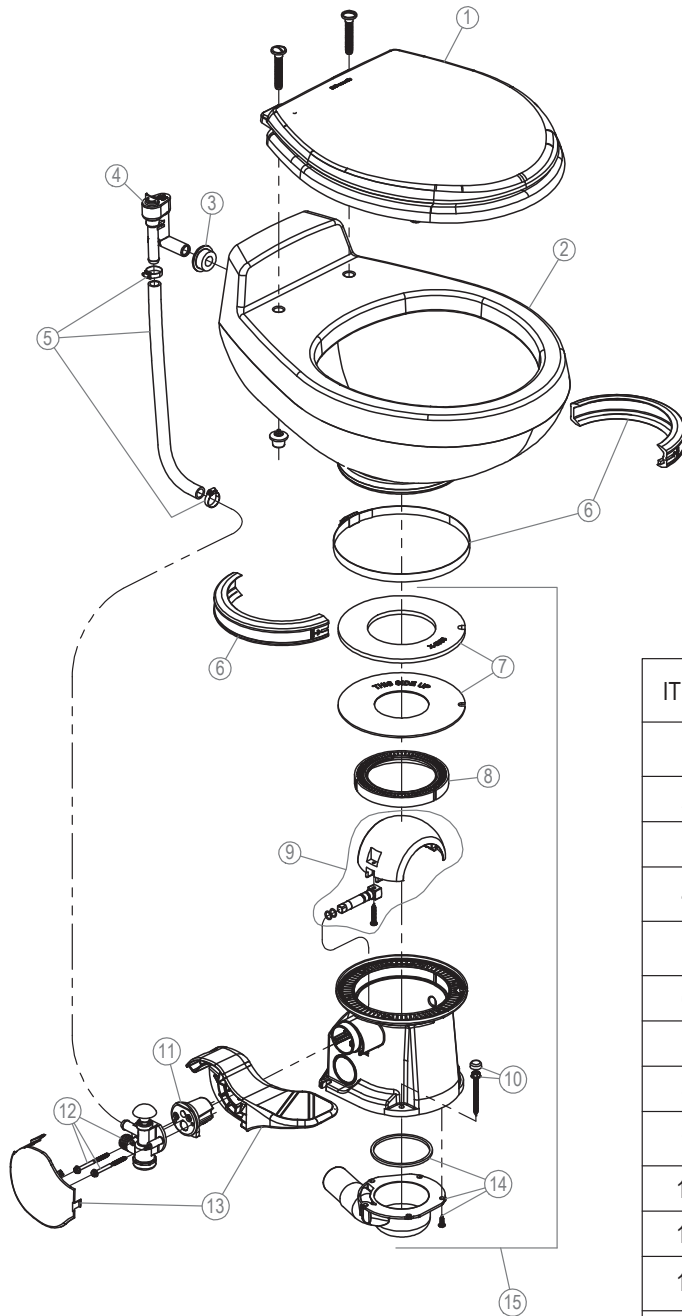
ITEM	PART NO.	DESCRIPTION
1	385343829	KIT, SEAT-CV'R 500+ - WHITE
	385343831	KIT, SEAT-CV'R 500+ - BONE
	385343897	KIT, SEAT-CV'R 500+ - PLAT
	385343901	KIT, SEAT-CV'R 500+ - EBONY
2	385310739	CHINA BOWL KIT, WHITE
	385310740	CHINA BOWL KIT, BONE
	385310741	CHINA BOWL KIT, PLATINUM
	385310742	CHINA BOWL KIT, EBONY
3	385310048	BAND AND HALF CLAMP, KIT
4	385311462	SEAL REPLACEMENT , KIT
5	385316323	MOUNTING HARDWARE
6	385310674	PEDESTAL COVER KIT , WHITE
	385310613	PEDESTAL COVER KIT , BONE
	385310745	PEDESTAL COVER KIT , PLATINUM
	385310746	PEDESTAL COVER KIT , EBONY
7	385310665	BASE KIT, WHITE (inc items 3-12)
	385310614	BASE KIT, BONE (inc items 3-12)
	385310748	BASE KIT, PLATINUM (inc items 3-12)
	385310749	BASE KIT, EBONY (inc items 3-12)
8	385318162	KIT,BALL,SHAFT & CART, WHITE(inc. item 11)
	385310177	KIT,BALL,SHAFT & CART, EBONY(inc. item 11)
9	385310114	PEDAL COVER, WHITE
	385310115	PEDAL COVER, BONE
	385310116	PEDAL COVER, PLATINUM
	385310175	PEDAL COVER, EBONY
10	385314349	WATER VALVE, KIT
11	385236096	SPRING CARTRIDGE, KIT
12	385310578	PEDAL, CARTRIDGE, KIT (inc. item 11)
	385340177	HOSE, SUPPLY - BONE, EBONY, PLAT
13	385345377	HOSE, SUPPLY - WHITE
	385316906	VACUUM BREAKER, KIT - WITHOUT SPRAY
14	385230335	VACUUM BREAKER, KIT - WITH SPRAY
	385319056	VACUUM BREAKER, SPRAY & BRACKET, CHRM
15	385319057	VACUUM BREAKER, SPRAY & BRACKET, EBY
	600340683	HAND SPRAY, WHITE
16	600341770	HAND SPRAY, EBONY
	385311131	BRACKET, HAND SPRAY-CHROME
17	385311125	BRACKET, HAND SPRAY EBONY

PARTS LIST: 548+



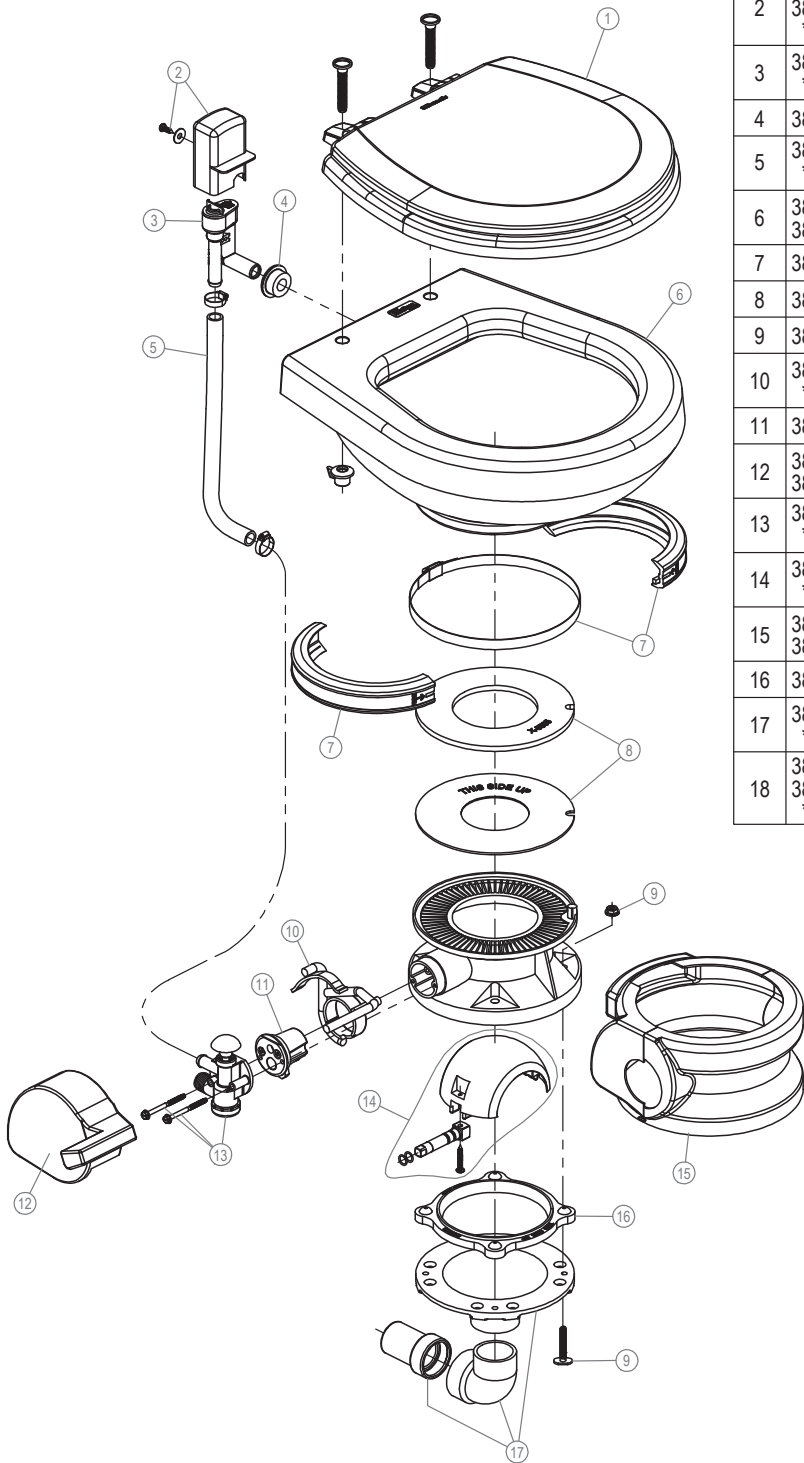
ITEM	PART NO.	DESCRIPTION
1	385343829	KIT, SEAT-CV'R 500+ - WHITE
	385343831	KIT, SEAT-CV'R 500+ - BONE
	385343897	KIT, SEAT-CV'R 500+ - PLAT
	385343901	KIT, SEAT-CV'R 500+ - EBONY
2	385310739	CHINA BOWL KIT, WHITE
	385310740	CHINA BOWL KIT, BONE
	385310741	CHINA BOWL KIT, PLATINUM
	385310742	CHINA BOWL KIT, EBONY
3	385310048	BAND AND HALF CLAMP, KIT
4	385311462	SEAL REPLACEMENT , KIT
5	385316323	MOUNTING HARDWARE
6	385310136	PEDESTAL COVER KIT , WHITE
	385310137	PEDESTAL COVER KIT , BONE
	385310138	PEDESTAL COVER KIT , PLATINUM
	385310174	PEDESTAL COVER KIT , EBONY
7	385310129	BASE KIT, WHITE (inc items 3-12)
	385310130	BASE KIT, BONE (inc items 3-12)
	385310131	BASE KIT, PLATINUM (inc items 3-12)
	385310172	BASE KIT, EBONY (inc items 3-12)
8	385318162	KIT,BALL,SHAFT & CART, WHITE(inc. item 11)
	385310177	KIT,BALL,SHAFT & CART, EBONY(inc. item 11)
9	385310114	PEDAL COVER, WHITE
	385310115	PEDAL COVER, BONE
	385310116	PEDAL COVER, PLATINUM
	385310175	PEDAL COVER, EBONY
10	385314349	WATER VALVE, KIT
11	385236096	SPRING CARTRIDGE, KIT
12	385310578	PEDAL, CARTRIDGE, KIT (inc. item 11)
13	385340177	HOSE, SUPPLY - BONE, EBONY, PLAT
	385345377	HOSE, SUPPLY - WHITE
14	385316906	VACUUM BREAKER, KIT - WITHOUT SPRAY
	385230335	VACUUM BREAKER, KIT - WITH SPRAY
15	385319056	VACUUM BREAKER,SPRAY & BRACKET,CHR
	385319057	VACUUM BREAKER,SPRAY & BRACKET,EBY
16	385310809	HAND SPRAY, CHROME
	385310873	HAND SPRAY, EBONY
17	385311131	BRACKET, HAND SPRAY-CHROME
	385311125	BRACKET, HAND SPRAY EBONY

PARTS LIST: 568 SERIES



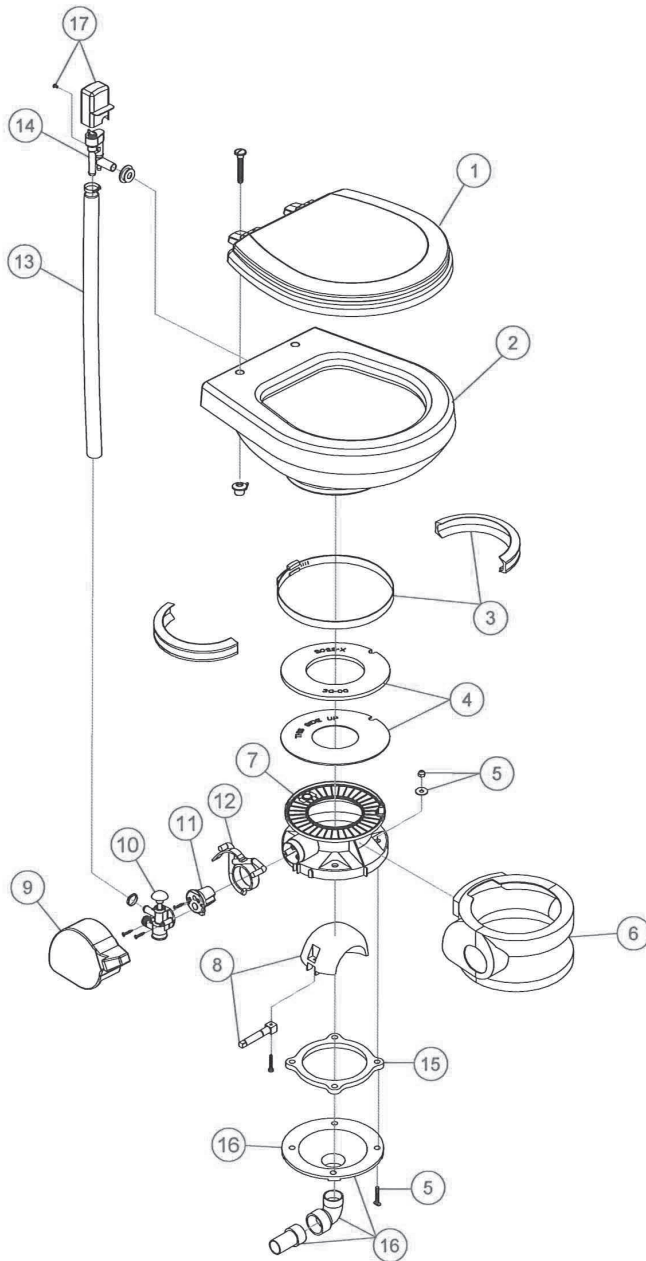
ITEM	PART NUMBER & DESCRIPTION
1	385311831 - SEAT/COVER - BONE **Includes Mounting Hardware.
2	385310740 - CHINA BOWL KIT - BONE
3	385311164 - 1/2" SEALING GROMMET
4	385310687 - VACUUM BREAKER REPLACEMENT **Includes Item 3.
5	385345377 - BOWL WATER SUPPLY HOSE **Includes Hose Clamps.
6	385310048 - BOWL/BASE CLAMP KIT - BONE
7	385311462 - FLUSH BALL SEAL REPLACEMENT KIT
8	385311292 - BASE FLUSH BALL RING KIT
9	385310954 - FLUSH BALL / SHAFT (BRASS) KIT **Includes Item 11.
10	385310785 - MOUNTING HARDWARE - BONE
11	385310683 - SPRING CARTRIDGE KIT
12	385314349 - WATER VALVE KIT **Includes Mounting Screws.
13	385310786 - FLUSH PEDAL KIT - BONE **Includes Item 11.
14	385310680 - DISCHARGE KIT - '47/'48 SERIES **Includes Seal & Mounting Screws.
15	385310784 - 148 SERIES BASE KIT - BONE **Includes Items 7 - 14.

PARTS LIST: 706 LOW-PROFILE VACUFLUSH TOILET



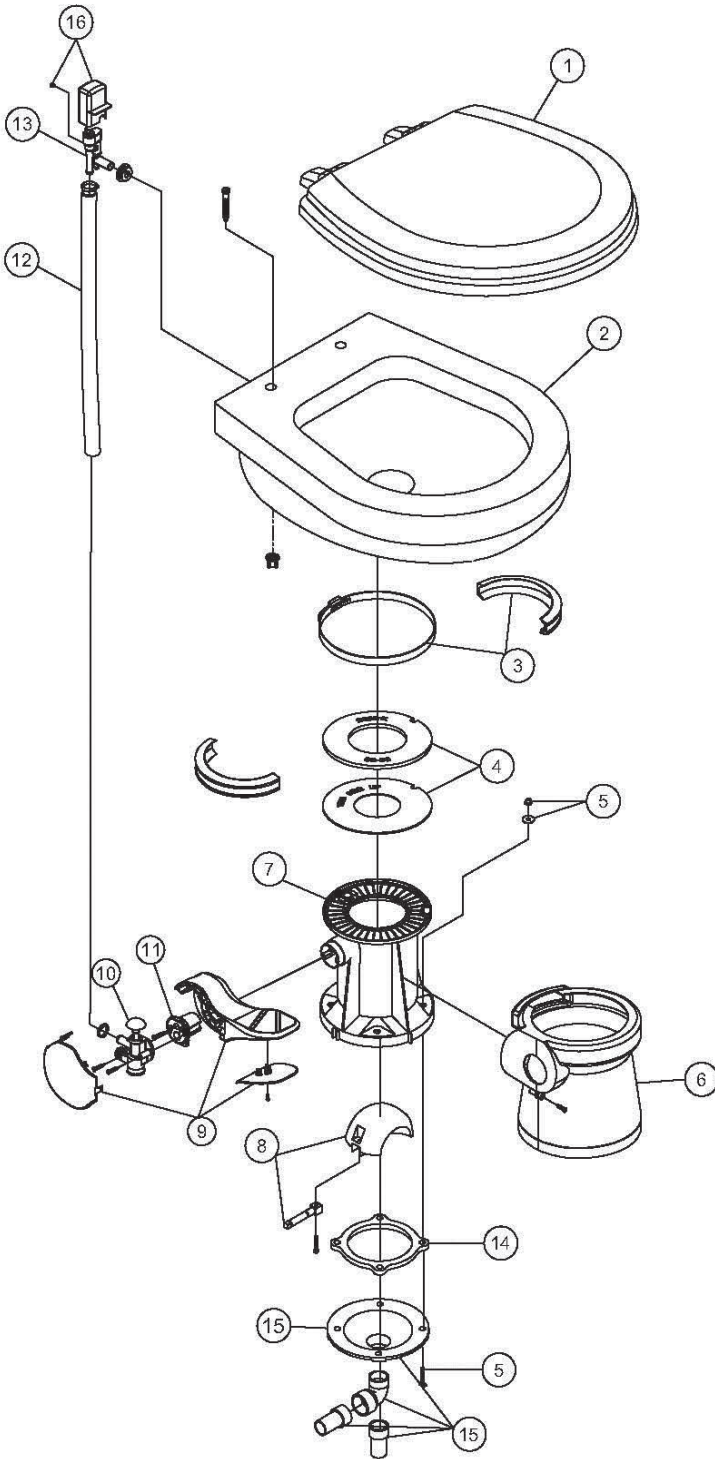
ITEM	PART NUMBER & DESCRIPTION
1	385344436 - SEAT/COVER - WHITE 385344437 - SEAT/COVER - BONE **Includes Mounting Hardware.
2	385310696 - VACUUM BREAKER COVER - WHITE 385310782 - VACUUM BREAKER COVER - BONE **Includes Mounting Hardware.
3	385316906 - VACUUM BREAKER KIT **Includes Item #4.
4	385311164 - 1/2" SEALING GROMMET
5	385345377 - BOWL WATER SUPPLY HOSE **Includes Hose Clamps.
6	385310676 - BOWL KIT - WHITE 385310781 - BOWL KIT - BONE
7	385310048 - BOWL/BASE CLAMP KIT - BONE
8	385311462 - FLUSH BALL SEAL REPLACEMENT KIT
9	385310064 - BASE MOUNTING HARDWARE
10	385310579 - FLUSH LEVER & SPRING CARTRIDGE KIT **Includes Item 11.
11	385236096 - SPRING CARTRIDGE KIT
12	385310117 - PEDAL COVER - WHITE 385310118 - PEDAL COVER - BONE
13	385314349 - WATER VALVE KIT **Includes Mounting Screws.
14	385318162 - FLUSH BALL, SHAFT, & CARTRIDGE KIT-WHT ** Includes Item 11.
15	385310108 - PEDESTAL COVER KIT - WHITE 385310109 - PEDESTAL COVER KIT - BONE
16	385310063 - FLOOR / BASE SEAL
17	385318864 - VACUFLUSH FUNNEL KIT **Includes Items 9 & 16.
18	385310132 - BASE KIT - WHITE 385310133 - BASE KIT - BONE **Includes Items 7 - 176C .

PARTS LIST: 706 SHORT PAD



ITEM	PART NO.	DESCRIPTION
1	385344436	SEAT ASSEMBLY, WHITE
2	385310676	CHINA BOWL KIT, WHITE
3	385310048	BAND AND HALF CLAMP, KIT
4	385311462	SEAL REPLACEMENT , KIT
5	385310064	MOUNTING HARDWARE
6	385310108	PEDESTAL COVER KIT , WHITE
7	385311559	BASE KIT, WHITE (INC 3 -12 & 15,16)
8	385318162	KIT,BALL,SHAFT & CART, WHITE(INC 11)
9	385311551	KIT, SHORT PAD/PEDAL COVER-WHT
10	385314349	WATER VALVE, KIT
11	385236096	SPRING CARTRIDGE, KIT
12	385311553	KIT, SHORT PAD LEVER/CART (INC.11)
13	385345377	HOSE, SUPPLY - WHITE
14	385316906	VACUUM BREAKER, KIT
15	385310063	FLOOR FLANGE SEAL (INC 5)
16	385318864	FUNNEL KIT (INC 5 & 15)
17	385310696	VACUUM BREAKER COVER - WHITE

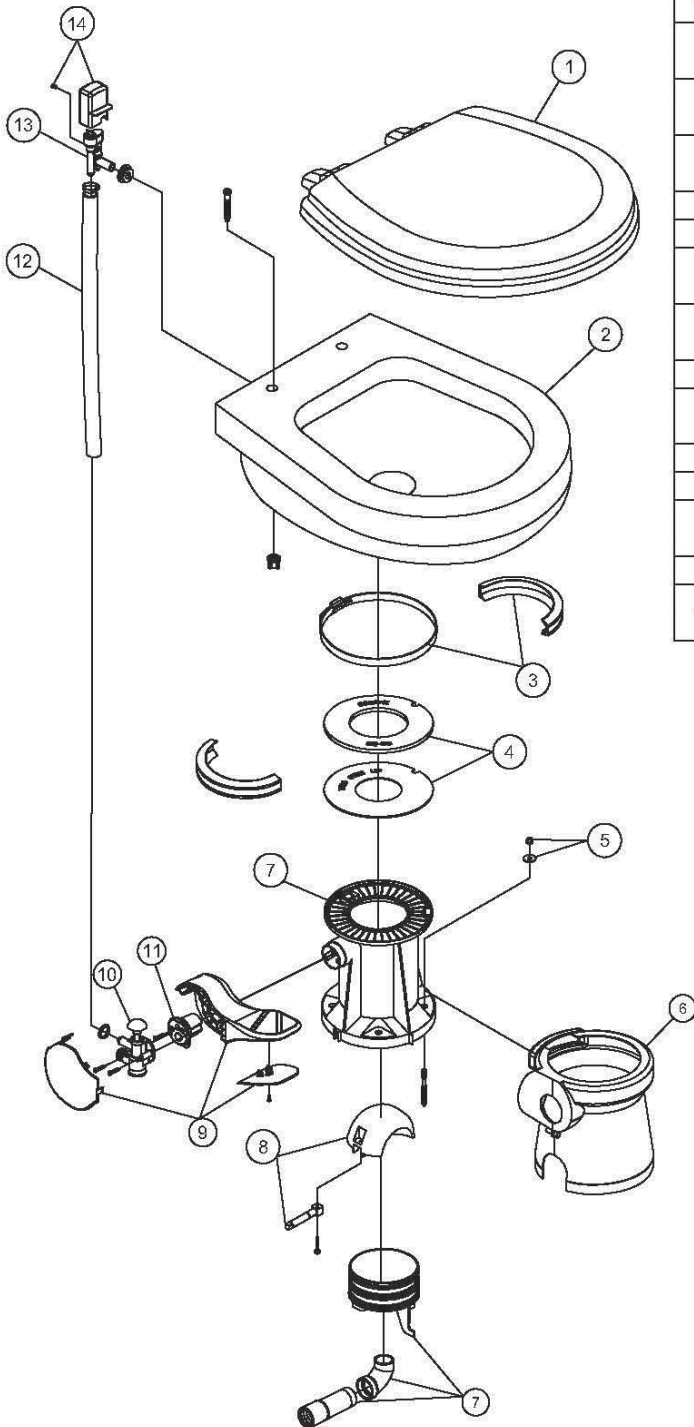
PARTS LIST: VACUFLUSH 709



ITEM	PART NO.	DESCRIPTION
1	385344436	SEAT ASSEMBLY, WHITE
	385344437	SEAT ASSEMBLY, BONE
2	385310676	CHINA BOWL KIT, WHITE
	385310781	CHINA BOWL KIT, BONE
3	385310025	BAND AND HALF CLAMP, KIT WHITE
	385310048	BAND AND HALF CLAMP, KIT BONE
4	385311462	SEAL REPLACEMENT, KIT
5	385310064	MOUNTING HARDWARE
6	385310111	PEDESTAL COVER KIT, WHITE
	385310112	PEDESTAL COVER KIT, BONE
7	385311081	BASE KIT, WHITE (INC. 3-11 & 14,15)
	385310978	BASE KIT, BONE (INC. 3-11 & 14,15)
8	385310954	KIT, BALL/BRASS SHAFT/P CART(INC. 11)
9	385310682	PEDAL, CARTRIDGE, KIT WHITE (INC. 11)
	385310762	PEDAL, CARTRIDGE, KIT BONE (INC. 11)
10	385314349	WATER VALVE, KIT
11	385310683	SPRING CARTRIDGE, KIT
12	385345377	HOSE, SUPPLY - WHITE
	385340177	HOSE, SUPPLY - BONE
13	385316906	VACUUM BREAKER, KIT
14	385310063	FLOOR FLANGE SEAL (INC. 5)
15	385318864	FUNNEL KIT (INC. 5, 14 & 15)
16	385310696	VACUUM BREAKER COVER - WHITE
	385310782	VACUUM BREAKER COVER - BONE

Dometic Corporation - Sanitation Systems
13128 State Rt. 226, P.O. Box 38
Big Prairie, OH 44611-0038 USA
Telephone: 330-496-3211
Fax: 330-496-3097
Email: sealand@dometicusa.com

PARTS LIST: VACUFLUSH 748 - 749

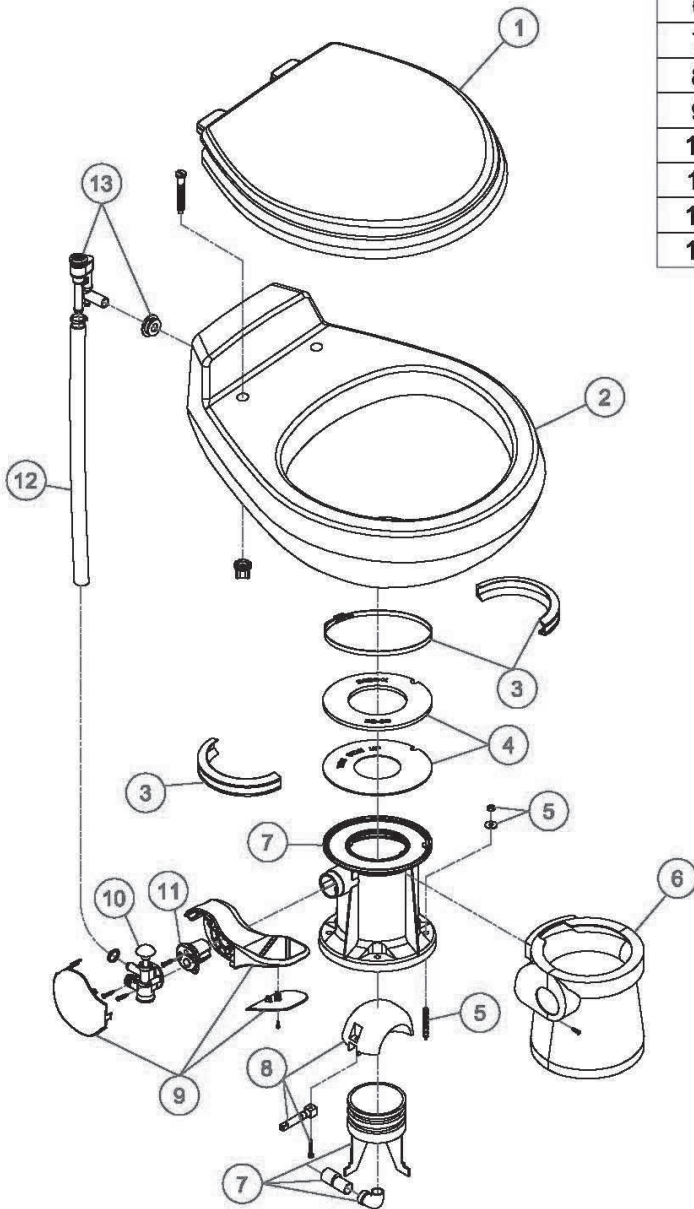


ITEM	PART NO.		DESCRIPTION
	748	749	
1	385344436		SEAT ASSEMBLY, WHITE
	385344437		SEAT ASSEMBLY, BONE
2	385310676		CHINA BOWL KIT, WHITE
	385310781		CHINA BOWL KIT, BONE
3	385310025		BAND AND HALF CLAMP, KIT WHITE
	385310048		BAND AND HALF CLAMP, KIT BONE
4	385311462		SEAL REPLACEMENT, KIT
5	385316323		MOUNTING HARDWARE
6	385310136	385310904	PEDESTAL COVER KIT, WHITE
	385310137	N/A	PEDESTAL COVER KIT, BONE
7	385310910	385310903	BASE KIT, WHITE (inc items 3-11 & 14,15)
	385311086	N/A	BASE KIT, BONE (inc items 3-11 & 14,15)
8	385310954		KIT, BALL/BRASS SHAFT/P CART (inc. item 11)
9	385310682		PEDAL, CARTRIDGE, KIT WHITE (inc. item 11)
	385310762		PEDAL, CARTRIDGE, KIT BONE (inc. item 11)
10	385314349		WATER VALVE, KIT
11	385310683		SPRING CARTRIDGE, KIT
12	385345377		HOSE, SUPPLY - WHITE
	385340177		HOSE, SUPPLY - BONE
13	385316906		VACUUM BREAKER, KIT
14	385310696		VACUUM BREAKER COVER - WHITE
	385310782		VACUUM BREAKER COVER - BONE

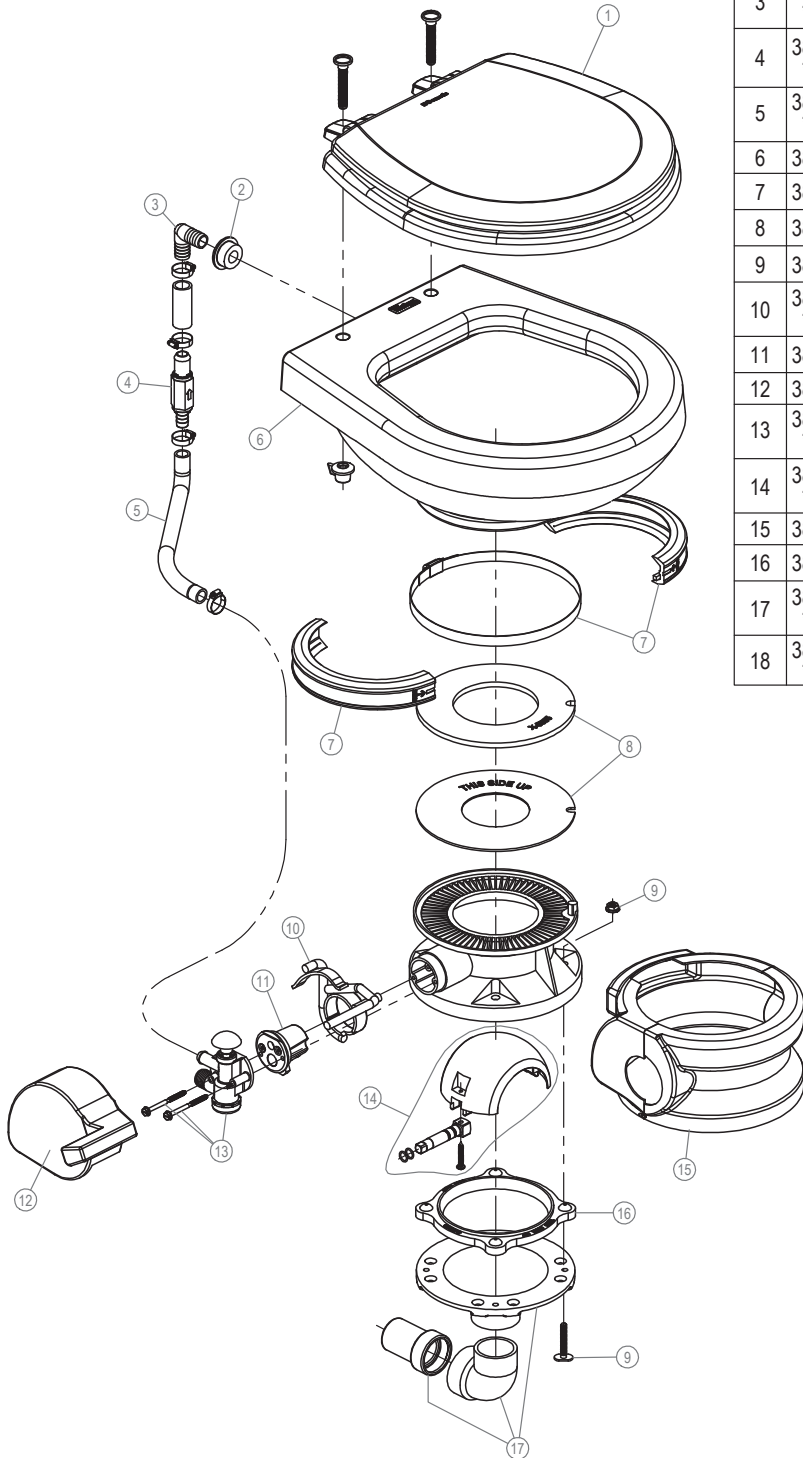
Dometic Corporation - Sanitation Systems
 13128 State Rt. 226, P.O. Box 38
 Big Prairie, OH 44611-0038 USA
 Telephone: 330-496-3211
 Fax: 330-496-3097
 Email: sealand@dometicusa.com

PARTS LIST: VACUFLUSH 1548

ITEM	PART NO.	DESCRIPTION
1	385343829	KIT, SEAT-CV'R 500+ - WHITE
2	385310739	CHINA BOWL KIT, WHITE
3	385310025	BAND AND HALF CLAMP, KIT
4	385311462	SEAL REPLACEMENT , KIT
5	385316323	MOUNTING HARDWARE
6	385310136	PEDESTAL COVER KIT , WHITE
7	385310910	BASE KIT, BONE
8	385310954	KIT, BALL/BRASS SHAFT/P CART(inc. item 11)
9	385310682	PEDAL, CARTRIDGE, KIT (inc. item 11)
10	385314349	WATER VALVE, KIT
11	385310683	SPRING CARTRIDGE, KIT
12	385345377	HOSE, SUPPLY - WHITE
13	385316906	VACUUM BREAKER, KIT - WITHOUT SPRAY



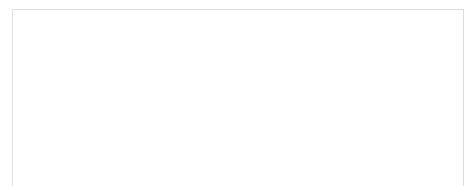
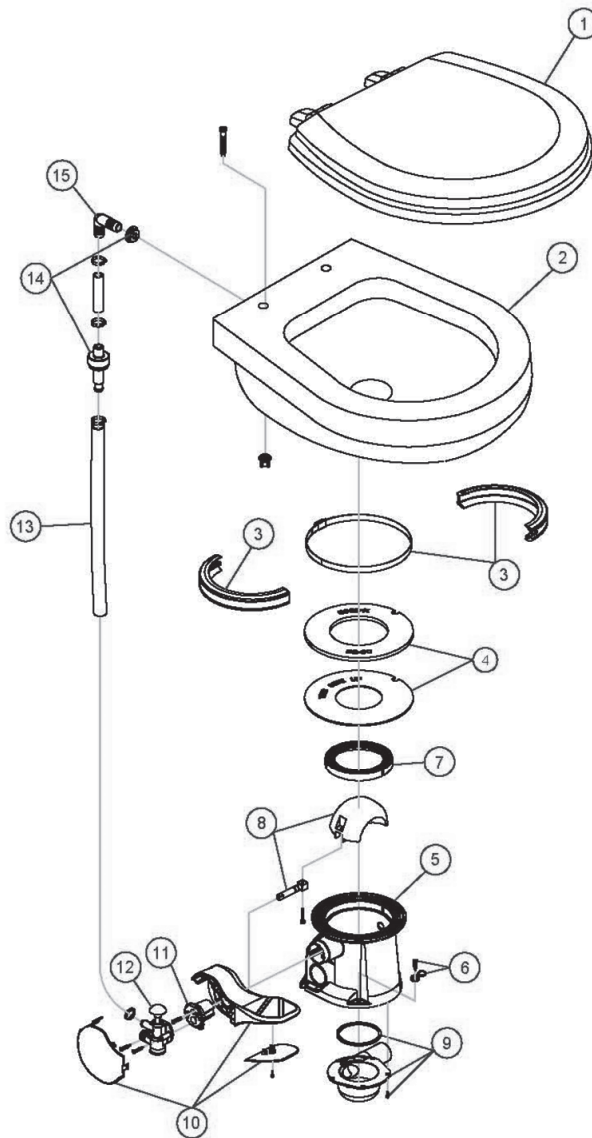
PARTS LIST: 5706 LOW-PROFILE VACUFLUSH TOILET



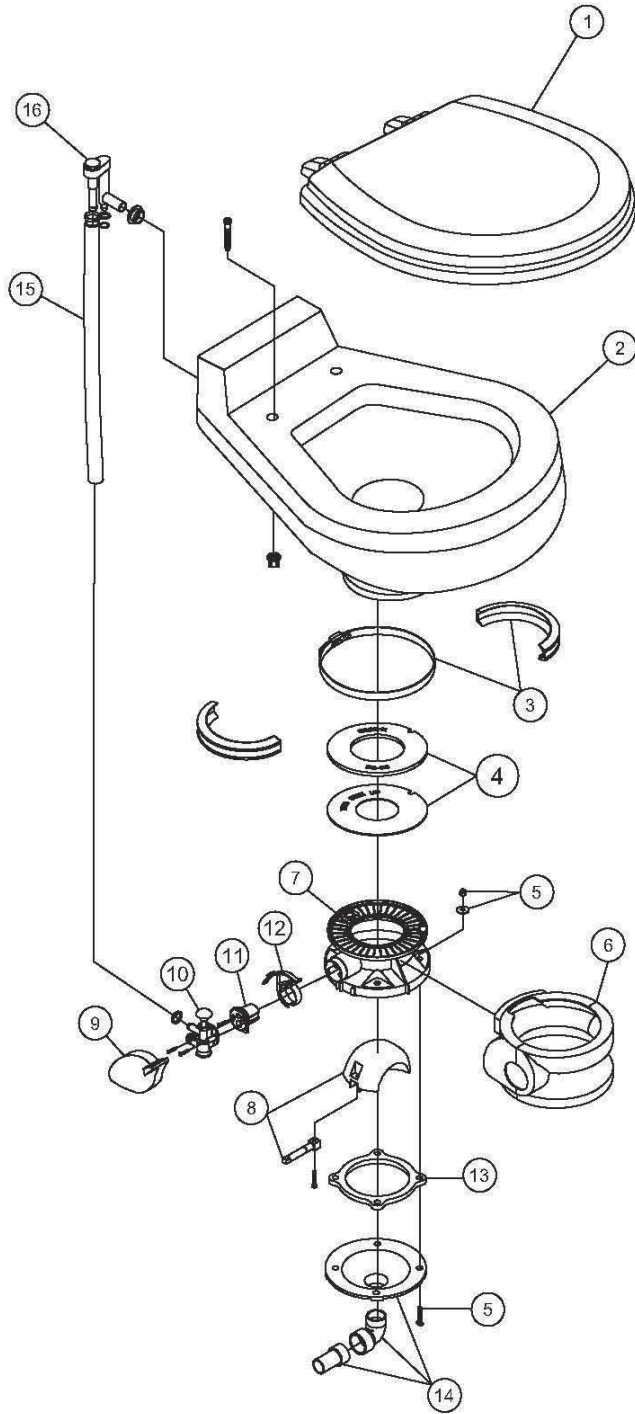
ITEM	PART NUMBER & DESCRIPTION
1	385344437 - SEAT/COVER - BONE **Includes Mounting Hardware.
2	385311164 - 1/2" SEALING GROMMET6C
3	385311770 - VENT ELBOW FITTING **Includes Item 2.
4	385311456 - BARBED CHECK VALVE REPLACEMENT **Includes Item 2.
5	385345377 - BOWL WATER SUPPLY HOSE **Includes Hose Clamps.
6	385310781 - BOWL KIT - BONE
7	385310048 - BOWL/BASE CLAMP KIT - BONE
8	385311462 - FLUSH BALL SEAL REPLACEMENT KIT
9	385310064 - BASE MOUNTING HARDWARE
10	385310579 - FLUSH LEVER & SPRING CARTRIDGE KIT **Includes Item 11.
11	385236096 - SPRING CARTRIDGE KIT
12	385310118 - PEDAL COVER - BONE
13	385314349 - WATER VALVE KIT **Includes Mounting Screws.
14	385318162 - FLUSH BALL, SHAFT, & CARTRIDGE KIT-WHT ** Includes Item 11.
15	385310109 - PEDESTAL COVER KIT - BONE
16	385310063 - FLOOR / BASE SEAL
17	385318864 - VACUFLUSH FUNNEL KIT **Includes Items 9 & 16.
18	385310133 - BASE KIT - BONE **Includes Items 7 - 17.

PARTS LIST: VACUFLUSH 5748

ITEM	PART NO.	DESCRIPTION	ITEM	PART NO.	DESCRIPTION
1	385344437	KIT, SEAT-CV'R TM60-BONE	9	385310680	KIT, DISCHARGE 147/148-ECOVAC
2	385310781	KIT, ECOVAC BOWL - BONE	10	385310762	KIT, PEDAL ECOVAC/110-BONE (INC. 11)
3	385310048	KIT, HALF CLAMP-BONE	11	385310683	KIT, SPRING CARTRIDGE-ECOVAC
4	385311462	KIT, SEAL KIT-VACUFLUSH	12	385314349	KIT, WATER VALVE
5	385310783	KIT, EVAC RH DISH BASE/BONE (INC. 3-12)	13	385340177	KIT, SUPPLY HOSE-BONE
6	385310785	KIT, MOUNTING-ECOVAC - BONE	14	385311456	KIT, CHECK VALVE
7	385311292	KIT, BASE RING INSERT	15	600343974	ELBOW, 5/8" BARBED
8	385310954	KIT, BALL/BRASS SHAFT/P CART (INC. 11)			



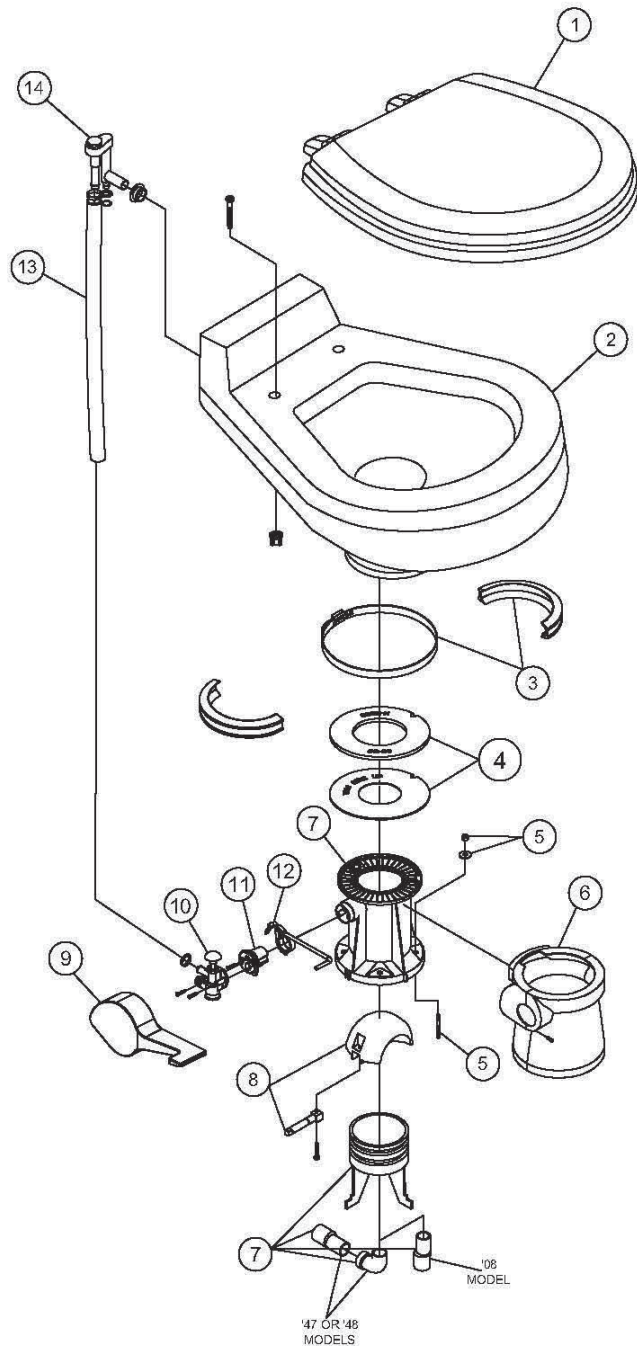
PARTS LIST: 806



ITEM	PART NO.	DESCRIPTION
1	385344436	SEAT ASSEMBLY, WHITE
	385344437	SEAT ASSEMBLY, BONE
2	385310032	CHINA BOWL KIT, WHITE
	385310033	CHINA BOWL KIT, BONE
3	385310048	BAND & HALF CLAMP KIT - BONE
	385310025	BAND & HALF CLAMP KIT - WHITE
4	385311462	KIT, BASE SEAL/2 SEALS
5	385310064	MOUNTING HARDWARE
6	385310108	PEDESTAL COVER KIT - WHITE
	385310109	PEDESTAL COVER KIT - BONE
7	385310132	BASE KIT- WHITE (inc items 3-14)
	385310133	BASE KIT- BONE (inc items 3-14)
8	385318162	KIT,BALL,SHAFT & CART-(inc. item 11)
9	385310117	PEDAL COVER - WHITE
	385310118	PEDAL COVER - BONE
10	385314349	WATER VALVE - KIT
11	385236096	SPRING CARTRIDGE - KIT
12	385310579	PEDAL, CARTRIDGE, KIT (inc. item 11)
13	385310063	FLOOR FLANGE, (inc item 5)
14	385318864	KIT, FUNNEL 506/806/706 (inc. item 5)
15	385340177	HOSE, SUPPLY - BONE
	385345377	HOSE, SUPPLY - WHITE
16	385316906	VACUUM BREAKER, KIT

Dometic Corporation - Sanitation Systems
13128 State Rt. 226, P.O. Box 38
Big Prairie, OH 44611-0038 USA
Telephone: 330-496-3211
Fax: 330-496-3097
Email: sealand@dometicusa.com

PARTS LIST: 808,847, 848



ITEM	PART NO.	DESCRIPTION
1	385344436	SEAT ASSEMBLY, WHITE
	385344437	SEAT ASSEMBLY, BONE
2	385310032	CHINA BOWL KIT, WHITE
	385310033	CHINA BOWL KIT, BONE
3	385310048	BAND & HALF CLAMP KIT - BONE
	385310025	BAND & HALF CLAMP KIT - WHITE
4	385311462	KIT, BASE SEAL/2 SEALS
5	385316323	MOUNTING HARDWARE
6	385310111	PEDESTAL COVER KIT - WHITE '08 MODEL
	385310112	PEDESTAL COVER KIT - BONE '08 MODEL
	385310674	PEDESTAL COVER KIT - WHITE '47 MODEL
	385310613	PEDESTAL COVER KIT - BONE '47 MODEL
	385310136	PEDESTAL COVER KIT - WHITE '48 MODEL
7	385310126	BASE KIT- WHITE (inc items 3-12) '08 MODEL
	385310127	BASE KIT- BONE (inc items 3-12) '08 MODEL
	385310665	BASE KIT- WHITE (inc items 3-12) '47 MODEL
	385310614	BASE KIT- BONE (inc items 3-12) '47 MODEL
	385310129	BASE KIT- WHITE (inc items 3-12) '48 MODEL
	385310130	BASE KIT- BONE (inc items 3-12) '48 MODEL
8	385318162	KIT,BALL,SHAFT & CART-WHITE(inc. item 11)
9	385310114	PEDAL COVER - WHITE
	385310115	PEDAL COVER - BONE
10	385314349	WATER VALVE -KIT
11	385236096	SPRING CARTRIDGE - KIT
12	385310578	PEDAL, CARTRIDGE, KIT (inc. item 11)
13	385340177	HOSE, SUPPLY - BONE
	385345377	HOSE, SUPPLY - WHITE
14	385316906	VACUUM BREAKER, KIT
N/S	385318741	KIT, FUNNEL '08

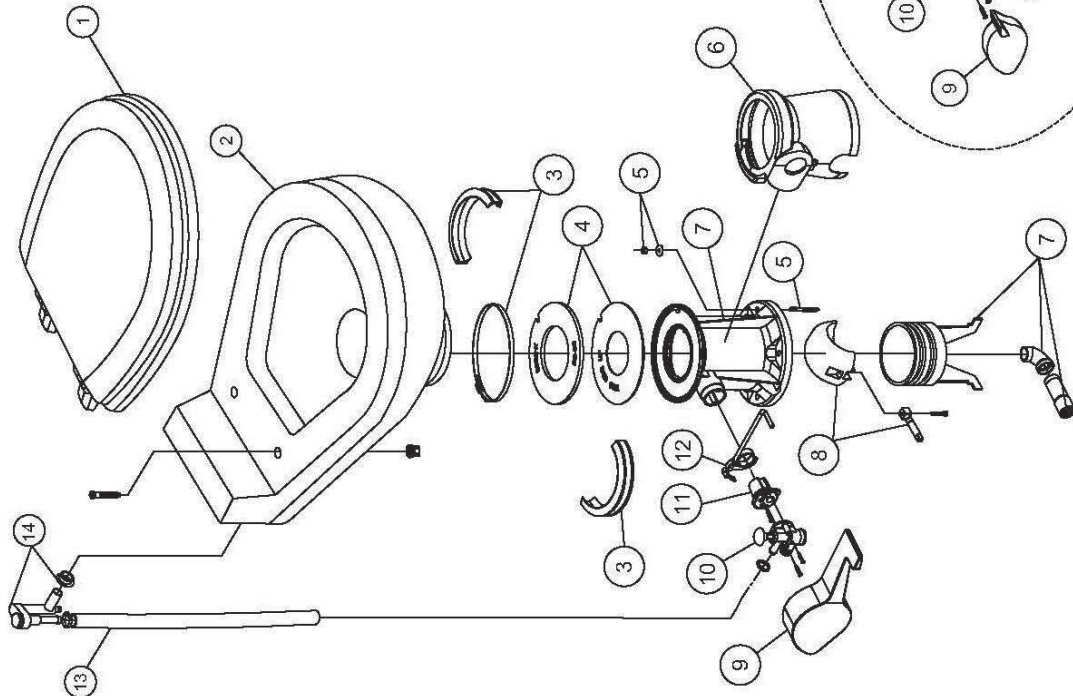
TOILET MODEL	DISCHARGE LOCATION
808	THROUGH THE FLOOR
847	OPPOSITE PEDAL
848	REAR OF TOILET

Dometic Corporation - Sanitation Systems
13128 State Rt. 226, P.O. Box 38
Big Prairie, OH 44611-0038 USA
Telephone: 330-496-3211
Fax: 330-496-3097
Email: sealand@dometicusa.com

P/N : 600344922
REV.: 05/09

PARTS LIST: VACUFLUSH MODELS 1006 - 1008 - 1047 - 1048 - 1049

ITEM	PART NUMBER				DESCRIPTION
	1008	1047	1048	1049	
1	385344436				SEAT ASSEMBLY, WHITE
	385344437				SEAT ASSEMBLY, BONE
2	385310615				CHINA BOWL KIT, WHITE
	385310616				CHINA BOWL KIT, BONE
3	385310025				BAND AND HALF CLAMP, KIT WHITE
	385310048				BAND AND HALF CLAMP, KIT BONE
4	385311462				SEAL REPLACEMENT KIT
5	385310064				MOUNTING HARDWARE
	385310108	385310111	385310674	385310136	PEDESTAL COVER KIT, WHITE
	385310109	385310112	385310613	385310137	PEDESTAL COVER KIT, BONE
6	385310600	385310173	385310746	385310174	PEDESTAL COVER KIT, EBONY
	385310132	385310126	385310665	385310129	BASE KIT, WHITE (inc items 3-12)
	385310133	385310127	385310614	385310130	BASE KIT, BONE (inc items 3-12)
7	385310607	385310171	N/A	385310172	BASE KIT, EBONY (inc items 3-12)
8		385318162			KIT,BALL,SHAFT & CART, WHITE (inc. item 11)
		385310177			KIT,BALL,SHAFT & CART, EBONY (inc. item 11)
9	385310117	385310111			PEDAL COVER, WHITE
	385310118	385310115			PEDAL COVER, BONE
	385310593	385310175			PEDAL COVER, EBONY
10		385314349			KIT, WATER VALVE
11		385236096			KIT, SPRING CARTRIDGE
12	385310579	385310578			KIT, LEVER/CART-BASE
13		385340177			HOSE, SUPPLY - BONE
		385345377			HOSE, SUPPLY - WHITE
14		385316906			VACUUM BREAKER, KIT
15	385310063				KIT, FLOOR FLANGE SEAL
16	385318864				KIT, FUNNEL 506/606/706
N/S	385318741				KIT, FUNNEL 06

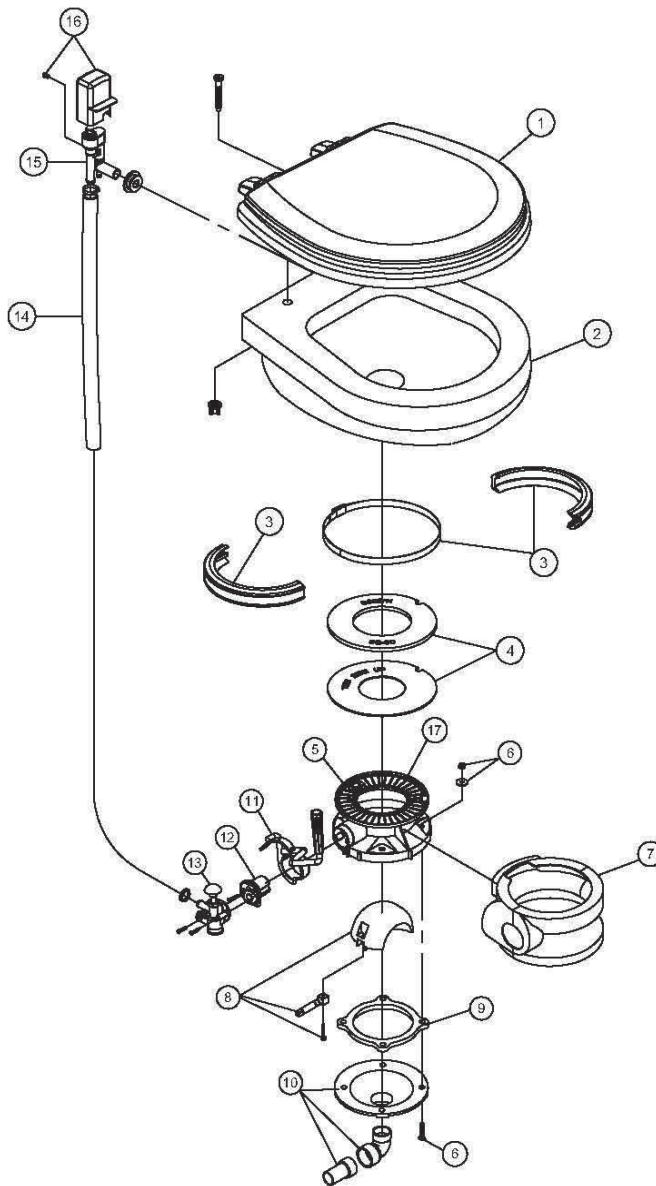


TOILET MODEL	DISCHARGE LOCATION
1008	THROUGH THE FLOOR
1047	OPPOSITE PEDAL
1048	REAR OF TOILET
1049	UNDER PEDAL
1006	THROUGH THE FLOOR

Domestic Corporation - Sanitation Systems
13126 State Rt. 226, P.O. Box 38
Big Prairie, OH 44611-0038 USA
Telephone: 330-486-3211
Fax: 330-486-3097
E-mail: sealand@domesticusa.com

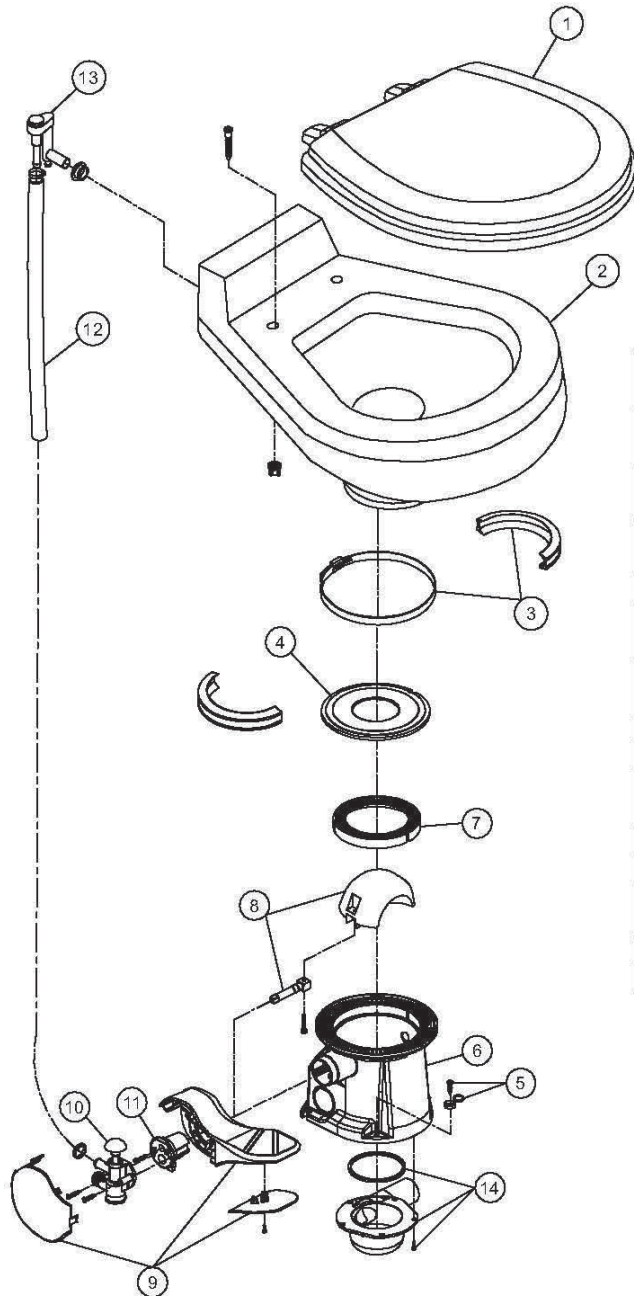
PARTS LIST: VACUFLUSH 1106

ITEM	PART NO.	DESCRIPTION	ITEM	PART NO.	DESCRIPTION
1	385344437	SEAT & LID ASSEMBLY, BONE	9	385310063	FLOOR FLANGE SEAL KIT (inc.item 6)
2	385310781	CHINA BOWL, BONE	10	385318864	FUNNEL KIT (inc.item 6 & 9)
3	385310048	HALF CLAMP KIT, BONE	11	385311095	HAND FLUSH KIT- (inc.item 12)
4	385311462	BASE, SEAL KIT REPLACEMENT	12	385236096	SPRING CARTRIDGE KIT
5	385311094	BASE KIT, BONE (inc. items 3 -13)	13	385314349	WATER VALVE KIT
6	385310064	MOUNTING KIT	14	385340177	SUPPLY HOSE, BONE
7	385310109	PEDESTAL COVER KIT, BONE	15	385310687	VACUUM BREAKER KIT
8	385318162	BALL/SHAFT/CARTRIDGE KIT (inc. item 12)	16	385310782	VACUUM BREAKER COVER



Dometic Corporation - Sanitation Systems
13128 State Rt. 226, P.O. Box 38
Big Prairie, OH 44611-0038 USA
Telephone: 330-496-3211
Fax: 330-496-3097
Email: sealand@dometicus.com

PARTS LIST: 1147 - 1148



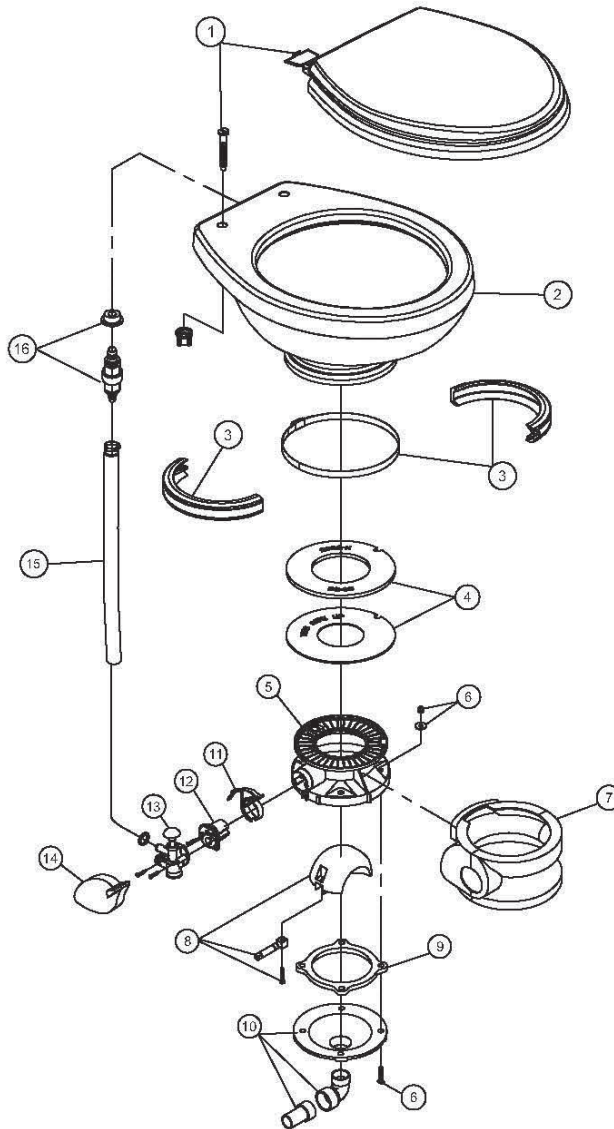
ITEM	PART NUMBER		DESCRIPTION
	1147	1148	
1	385344436		SEAT ASSEMBLY, WHITE
	385344437		SEAT ASSEMBLY, BONE
2	385310615		CHINA BOWL KIT, WHITE
	385310616		CHINA BOWL KIT, BONE
3	385310025		BAND AND HALF CLAMP, KIT WHITE
	385310048		BAND AND HALF CLAMP, KIT BONE
4	385310677		SEAL REPLACEMENT , KIT
5	385310679		MOUNTING HARDWARE - WHITE
	385310785		MOUNTING HARDWARE - BONE
6	385310685	385310686	BASE KIT , WHITE (inc. items 3-11 & 14)
	385310783	385310784	BASE KIT , BONE (inc. items 3-11&14)
7	385311292		BASE RING
8	385310681		KIT,BALL,SHAFT & CART, WHITE (inc. item 11)
9	385310682		PEDAL KIT, WHITE (inc. item 11)
	385310762		PEDAL KIT, BONE (inc. item 11)
10	385314349		WATER VALVE, KIT
11	385310683		SPRING CARTRIDGE, KIT
12	385340177		HOSE, SUPPLY - BONE.
	385345377		HOSE, SUPPLY - WHITE
13	385316906		VACUUM BREAKER, KIT
14	385310680		DISCHARGE KIT

TOILET MODEL	DISCHARGE LOCATION
147	OPPOSITE PEDAL
148	REAR OF TOILET

Dometic Corporation - Sanitation Systems
13128 State Rt. 226, P.O. Box 38
Big Prairie, OH 44611-0038 USA
Telephone: 330-496-3211
Fax: 330-496-3097
Email: sealand@dometicusa.com

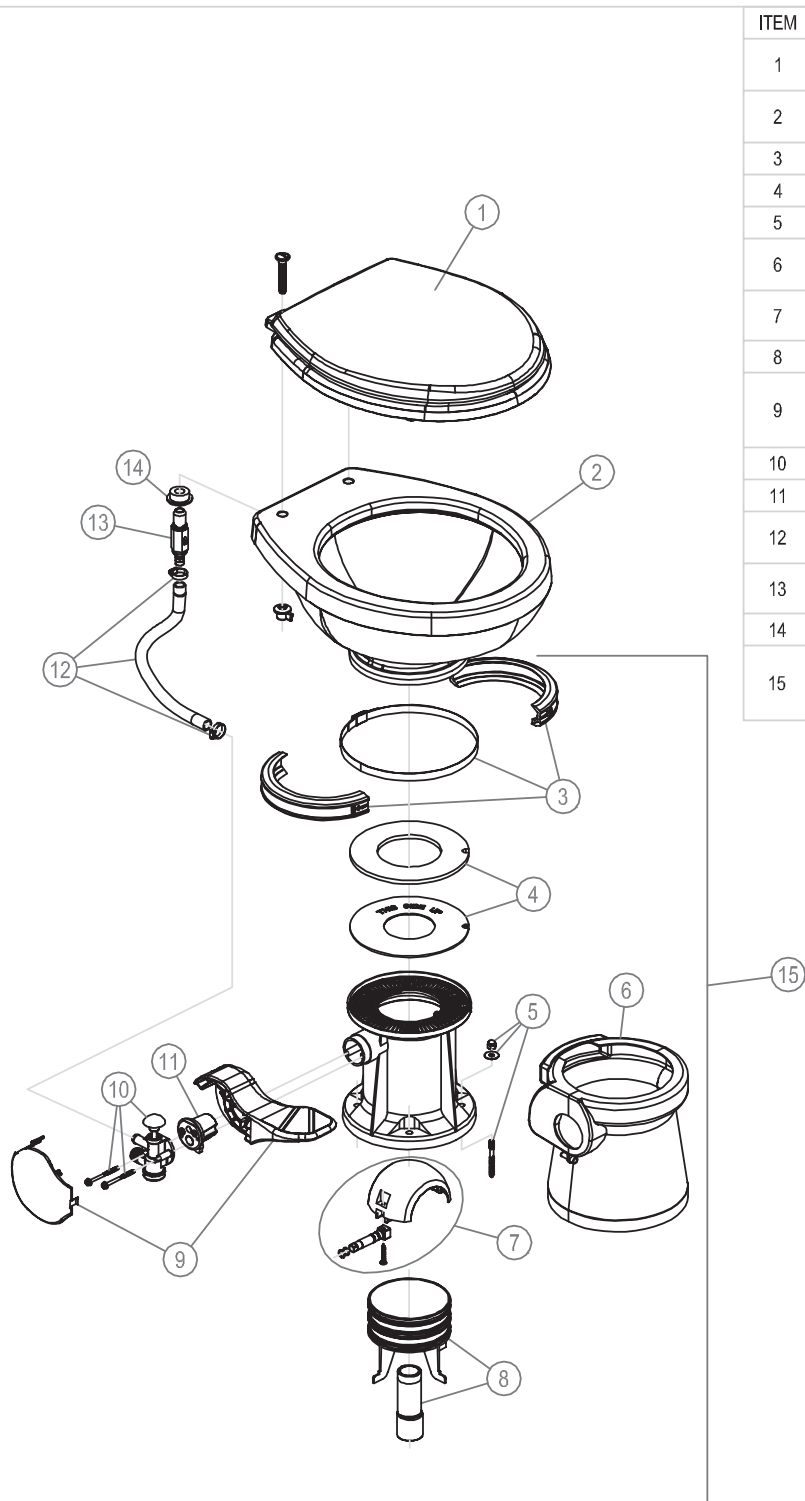
PARTS LIST: VACUFLUSH 5006

ITEM	PART NO.	DESCRIPTION	ITEM	PART NO.	DESCRIPTION
1	385343829	SEAT & LID ASSEMBLY, WHITE	8	385318162	BALL/SHAFT/CARTRIDGE KIT (inc. item 12)
	385343831	SEAT & LID ASSEMBLY, BONE	9	385310063	FLOOR FLANGE SEAL KIT (inc.item 6)
2	385311079	CHINA BOWL, WHITE	10	385318864	FUNNEL KIT (inc.item 6 & 9)
	385311080	CHINA BOWL, BONE	11	385310579	FLUSH PEDAL KIT- (inc.item 12)
3	385310048	HALF CLAMP KIT, BONE	12	385236096	SPRING CARTRIDGE KIT
4	385311462	KIT, SEAL KIT-VACUFLUSH	13	385314349	WATER VALVE KIT
5	385310132	BASE KIT, WHITE (inc. items 3 -14)	14	385310117	PEDAL COVER, WHITE
	385310133	BASE KIT, BONE (inc. items 3 -14)		385310118	PEDAL COVER, BONE
6	385310064	MOUNTING KIT	15	385345377	SUPPLY HOSE, WHITE
7	385310108	PEDESTAL COVER KIT, WHITE		385340177	SUPPLY HOSE, BONE
	385310109	PEDESTAL COVER KIT, BONE	16	385311456	KIT, CHECK VALVE



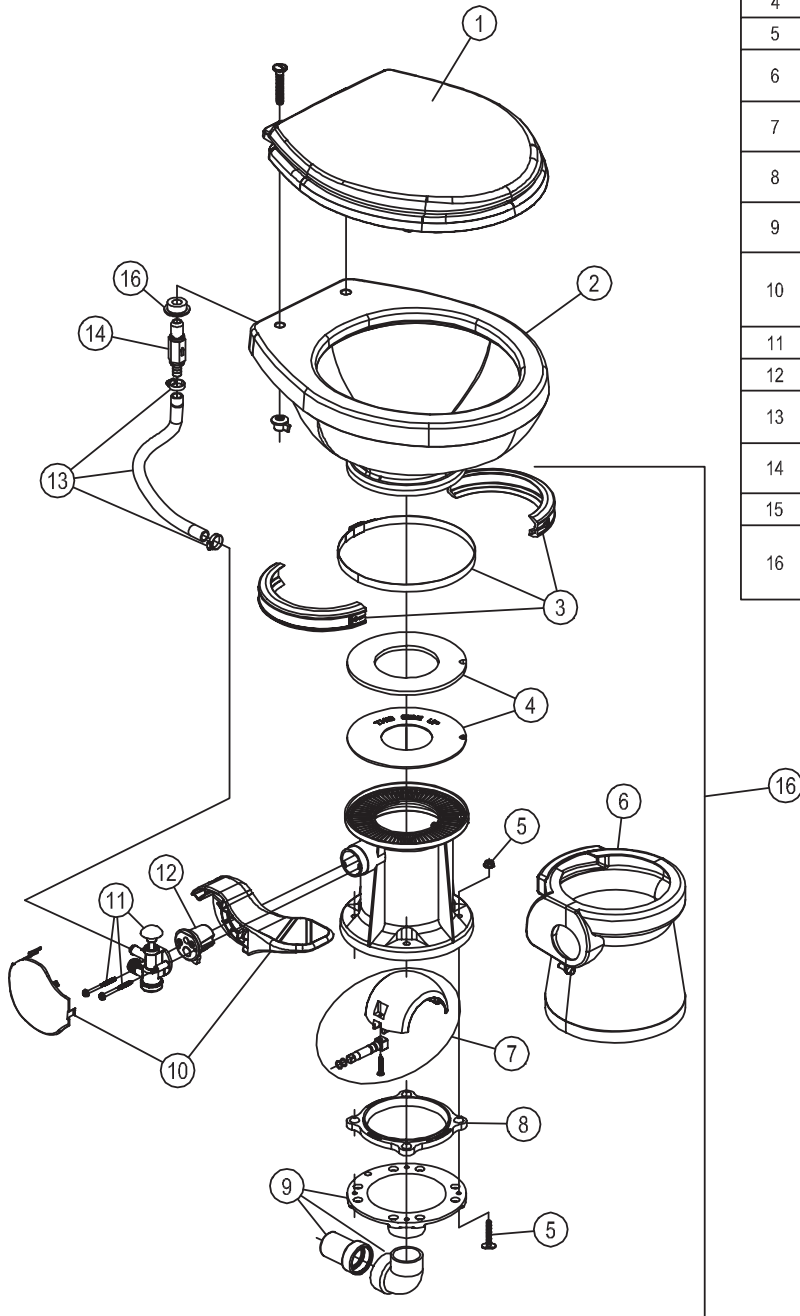
Dometic Corporation - Sanitation Systems
13128 State Rt. 226, P.O. Box 38
Big Prairie, OH 44611-0038 USA
Telephone: 330-496-3211
Fax: 330-496-3097
Email: sealand@dometicusa.com

PARTS LIST: VACUFLUSH 5008 SERIES



ITEM	PART NUMBER & DESCRIPTION
1	385343829 SEAT/COVER - WHITE
	385343831 SEAT/COVER - BONE
2	385311079 CHINA BOWL KIT - WHITE
	385311080 CHINA BOWL KIT - BONE
3	385310048 BOWL/BASE CLAMP KIT
4	385311462 FLUSH BALL SEAL REPL KIT
5	385316323 MOUNTING HARDWARE
6	385310111 PEDESTAL COVER - WHITE
	385310112 PEDESTAL COVER - BONE
7	385310954 FLUSH BALL, SHAFT, CARTRIDGE KIT **INCLUDES ITEM 11
8	385318741 '08 DISCHARGE FUNNEL KIT
9	385310682 PEDAL/CARTRIDGE KIT - WHITE
	385310762 PEDAL/CARTRIDGE KIT - BONE **INCLUDES ITEM 11
10	385314349 WATER VALVE KIT
11	385310683 SPRING CARTRIDGE KIT
12	385345377 BOWL WATER SUPPLY HOSE - WHITE
	385340177 BOWL WATER SUPPLY HOSE - BONE
13	385311456 CHECK VALVE KIT **INCLUDES ITEM 14
14	385311164 1/2" SEALING GROMMET
15	385311893 '08 BASE KIT PLASTIC PEDAL - WHITE
	385311894 '08 BASE KIT PLASTIC PEDAL - BONE **INCLUDES ITEMS 3-11

PARTS LIST: VACUFLUSH 5009 SERIES

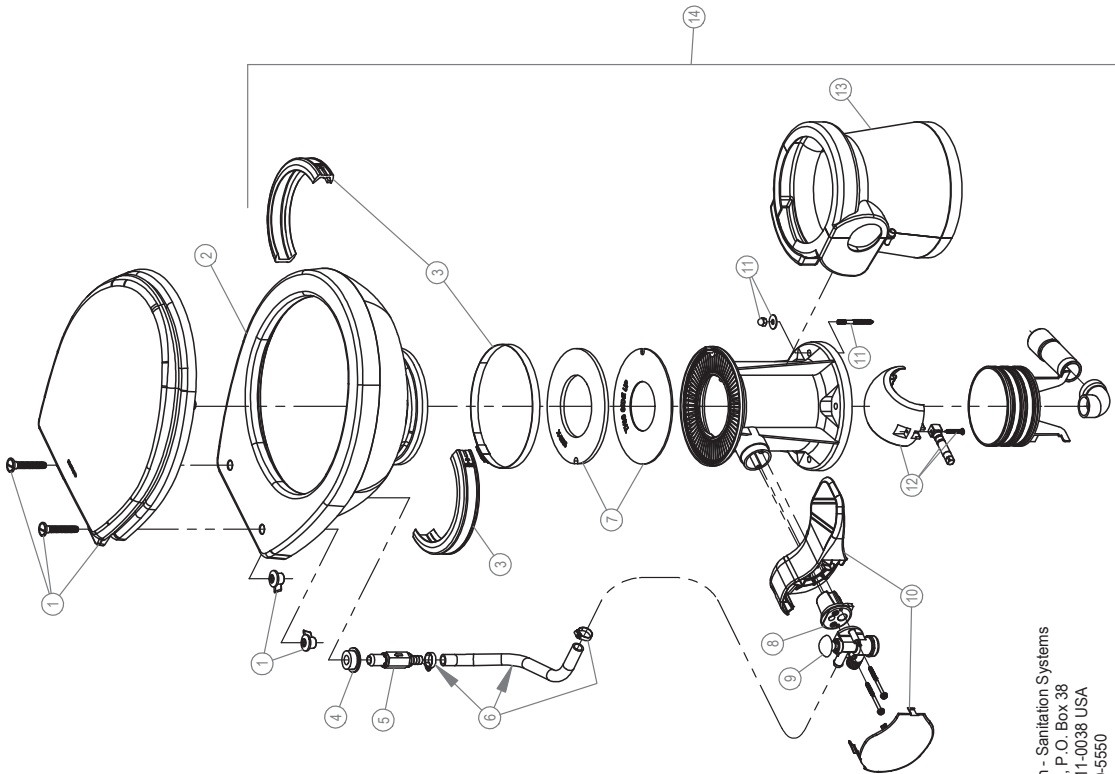


ITEM	PART NUMBER & DESCRIPTION
1	385343829 SEAT/COVER - WHITE
	385343831 SEAT/COVER - BONE
2	385311079 CHINA BOWL KIT - WHITE
	385311080 CHINA BOWL KIT - BONE
3	385310048 BOWL/BASE CLAMP KIT
4	385311462 FLUSH BALL SEAL REPL KIT
5	385310064 MOUNTING HARDWARE
6	385310111 PEDESTAL COVER - WHITE
	385310112 PEDESTAL COVER - BONE
7	385310954 FLUSH BALL, SHAFT, CARTRIDGE KIT **INCLUDES ITEM 12.
8	385310063 FLOOR FLANGE SEAL **INCLUDES ITEM 5
9	385318864 FUNNEL KIT ('06/'09 MODELS) **INCLUDES ITEM 5 & 8
10	385310682 PEDAL/CARTRIDGE KIT - WHITE
	385310762 PEDAL/CARTRIDGE KIT - BONE **INCLUDES ITEM 12
11	385314349 WATER VALVE KIT
12	385310683 SPRING CARTRIDGE KIT
13	385345377 BOWL WATER SUPPLY HOSE - WHITE
	385340177 BOWL WATER SUPPLY HOSE - BONE
14	385311456 CHECK VALVE KIT **INCLUDES ITEM 15
15	385311164 1/2" SEALING GROMMET
16	385311081 '09 BASE KIT PLASTIC PEDAL - WHITE
	385310978 '09 BASE KIT PLASTIC PEDAL - BONE **INCLUDES ITEMS 3-12

Dometic Corporation - Sanitation Systems
13128 State Rt. 226, P.O. Box 38
Big Prairie, OH 44611-0038 USA
Telephone: 330-496-3211
Fax: 330-496-3097
Email: sealand@dometicusa.com

P/N: 600344844
REV.: 03-02/18

PARTS LIST: 5047; 5048; 5049 VACUFLUSH TOILET

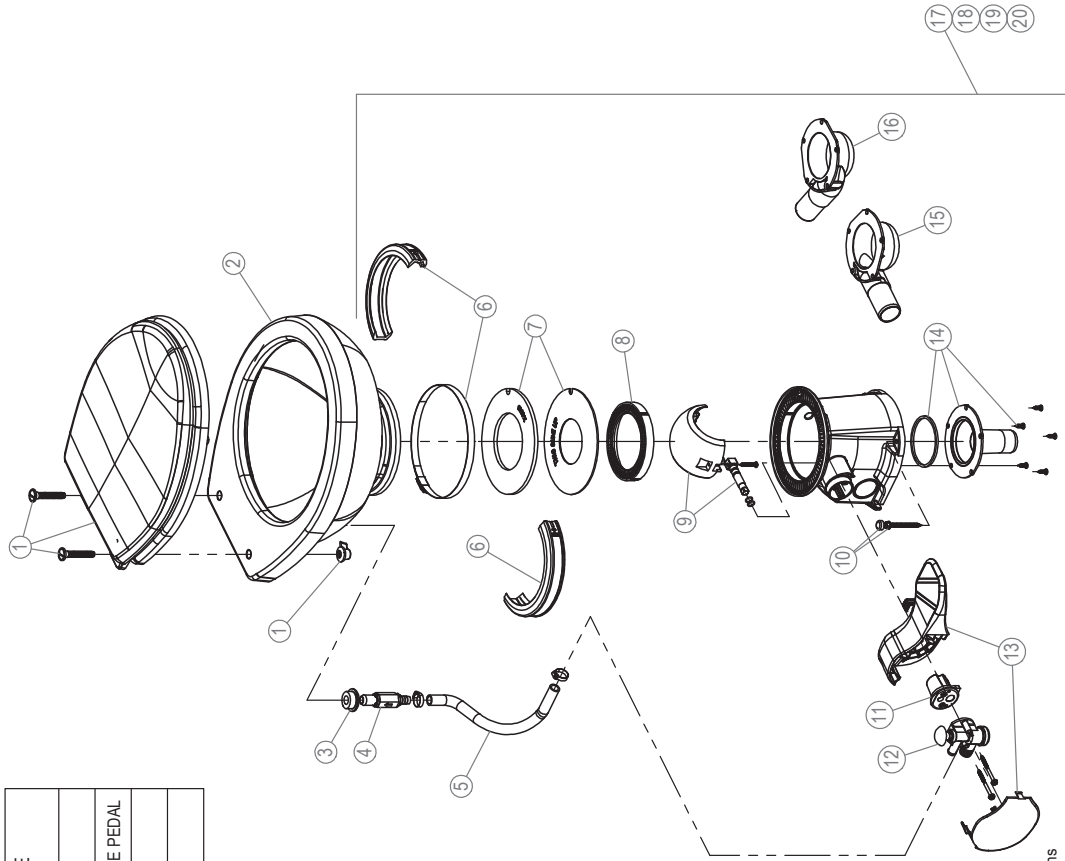


ITEM	PART NUMBER & DESCRIPTION
1	385343829 - SEAT/COVER - WHITE 385343831 - SEAT/COVER - BONE **Includes Mounting Hardware.
2	385311079 - BOWL KIT - WHITE 385311080 - BOWL KIT - BONE
3	385310048 - BOWL/BASE CLAMP KIT - BONE
4	385311164 - 1/2" SEALING GROMMET
5	385311456 - BARBED CHECK VALVE REPLACEMENT **Includes Item 4.
6	385345377 - BOWL WATER SUPPLY HOSE **Includes Hose Clamps.
7	385311462 - FLUSH BALL SEAL REPLACEMENT KIT
8	385310683 - SPRING CARTRIDGE KIT
9	385314349 - WATER VALVE KIT **Includes Mounting Screws.
10	385310682 - FLUSH PEDAL KIT - WHITE 385310762 - FLUSH PEDAL KIT - BONE **Includes Item 8.
11	385316323 - MOUNTING HARDWARE
12	385310954 - FLUSH BALL / SHAFT (BRASS) KIT **Includes Item 11.
13	385310674 - 047 PEDESTAL COVER - WHITE 385310613 - 047 PEDESTAL COVER - BONE 385310136 - 048 PEDESTAL COVER - WHITE 385310137 - 048 PEDESTAL COVER - BONE 385310904 - 049 PEDESTAL COVER - WHITE 385310913 - 049 PEDESTAL COVER - BONE
14	385311084 - 047 BASE KIT (ECO-VAC PEDAL) - WHITE 385311085 - 047 BASE KIT (ECO-VAC PEDAL) - BONE 385310910 - 048 BASE KIT (ECO-VAC PEDAL) - WHITE 385311086 - 048 BASE KIT (ECO-VAC PEDAL) - BONE 385310903 - 049 BASE KIT (ECO-VAC PEDAL) - WHITE 385311087 - 049 BASE KIT (ECO-VAC PEDAL) - BONE **Includes Items 3 - 13

Dometic Corporation - Sanitation Systems
13128 State Rt. 226, P.O. Box 38
Big Prairie, OH 44611-0038 USA
Telephone: 330-439-5550
Fax: 330-496-3097
Email: sealand@dometicusa.com

PARTS LIST: VACUFLUSH MODELS 5146; 5147; 5148; 5149

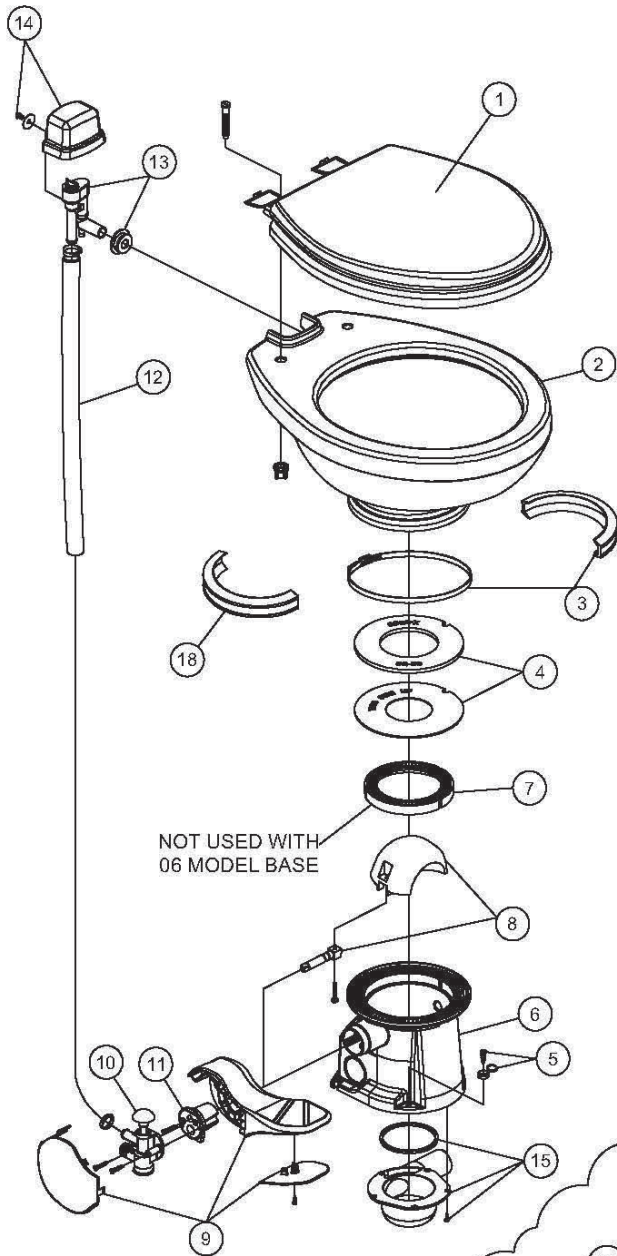
MODEL	DISCHARGE LOCATION
5146	THRU THE FLOOR
5147	OPPOSITE SIDE OF THE PEDAL
5148	REAR OF THE TOILET
5149	UNDER THE PEDAL



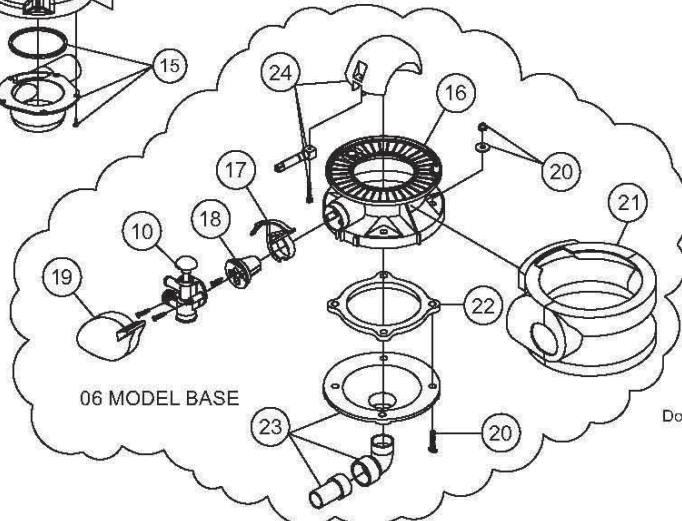
ITEM	PART NUMBER & DESCRIPTION
1	385343829 - SEAT/COVER - WHITE 385343831 - SEAT/COVER - BONE
2	385311079 - BOWL KIT - WHITE 385311080 - BOWL KIT - BONE
3	385311164 - 1/2" SEALING GROMMET
4	385311456 - BARBED CHECK VALVE REPLACEMENT **Includes Item 3.
5	385345377 - BOWL WATER SUPPLY HOSE **Includes Hose Clamps.
6	385310025 - BOWL/BASE CLAMP KIT - WHITE 385310048 - BOWL/BASE CLAMP KIT - BONE
7	385311462 - FLUSH BALL SEAL REPLACEMENT KIT
8	385311292 - BASE FLUSH BALL RING KIT
9	385310954 - FLUSH BALL / SHAFT (BRASS) KIT **Includes Item 12
10	385310679 - MOUNTING HARDWARE - WHITE 385310785 - MOUNTING HARDWARE - BONE
11	385310683 - SPRING CARTRIDGE KIT
12	385314349 - WATER VALVE KIT **Includes Mounting Screws.
13	385310682 - FLUSH PEDAL KIT - WHITE 385310762 - FLUSH PEDAL KIT - BONE **Includes Item 11.
14	385311713 - DISCHARGE KIT - 146 SERIES **Includes Seal & Mounting Screws.
15	385310936 - DISCHARGE KIT - 149 SERIES **Includes Seal & Mounting Screws.
16	385310680 - DISCHARGE KIT - 147/148 SERIES **Includes Seal & Mounting Screws.
17	385311711 - 146 SERIES BASE KIT - WHITE 385311712 - 146 SERIES BASE KIT - BONE **Includes Items 6 - 14.
18	385310685 - 147 SERIES BASE KIT - WHITE 385310783 - 147 SERIES BASE KIT - BONE **Includes Items 6 - 13 & 16.
19	385310686 - 148 SERIES BASE KIT - WHITE 385310784 - 148 SERIES BASE KIT - BONE **Includes Items 6 - 13 & 16.
20	385310975 - 149 SERIES BASE KIT - WHITE 385310976 - 149 SERIES BASE KIT - BONE **Includes Items 6 - 13 & 15.

Dometic Corporation - Sanitation Systems
13128 State Rt. 226, P.O. Box 38
Big Prairie, OH 44611-0038 USA
Telephone: 330-439-5550
Fax: 330-496-3097
Email: sealand@dometicusa.com

PARTS LIST: VACUFLUSH 606 - 647 - 648



ITEM	PART NUMBER		DESCRIPTION
	647	648	
1	385343829		KIT, SEAT-CV/R 500+ -WHITE
	385343831		KIT, SEAT-CV/R 500+ -BONE
2	385310790		KIT,BOWL TRAVELER LITE/WHITE
	385310791		KIT,BOWL TRAVELER LITE/BONE
3	385310025		KIT, HALF CLAMP-WHITE
	385310048		KIT, HALF CLAMP-BONE
4	385311462		KIT, SEAL KIT-VACUFLUSH
5	385310679		KIT, MOUNTING-ECOVCAC - WHITE
	385310785		KIT, MOUNTING-ECOVCAC - BONE
6	385310685	385310686	BASE KIT , WHITE (INC. 3-11&15)
	385310783	385310784	BASE KIT , BONE (INC. 3-11&15)
7	385311292		KIT, BASE RING INSERT
8	385310954		KIT, BALL/BRASS SHAFT/P CART (INC. 11)
9	385310682		KIT, ECOVCAC PEDAL/CART-WHT (INC. 11)
	385310762		KIT, PEDAL ECOVCAC/110-BONE (INC. 11)
10	385314349		KIT, WATER VALVE
11	385310683		KIT, SPRING CARTRIDGE-ECOVCAC
	385340177		KIT, SUPPLY HOSE-BONE
12	385345377		KIT, SUPPLY HOSE-WHITE
	385310687		KIT, VAC BRK-ECOVCAC
13	385310795		KIT, VAC BREAKER COVER/TL/WHT
	385310796		KIT, VAC BREAKER COVER/TL/BONE
14	385310680		KIT, DISCHARGE 147/148-ECOVCAC
	385310936		KIT, DISCHARGE 149-ECOVCAC
606 MODEL REPLACEMENT PARTS			
16	385310132		KIT, 506/806/706 BASE-WHT (INC.3-11&15)
	385310133		KIT, 506/806/706BASE-BONE (INC. 3-11&15)
17	385310579		KIT, LEVER/CART-SHORT BASE
18	385236096		KIT, SPRING CARTRIDGE
19	385310117		KIT, SHORT PEDAL COVER-WHT
	385310118		KIT, SHORT PEDAL COVER-BONE
20	385310064		KIT, MOUNT-TRAVELER-506/806
21	385310108		KIT, SHORT BASE COVER-WHITE
	385310109		KIT, SHORT BASE COVER-BONE
22	385310063		KIT, FLOOR FLANGE SEAL (INC. 5)
23	385318864		KIT, FUNNEL 506/806/706 (INC. 20 & 23)
24	385310954		KIT, BALL/BRASS SHAFT/P CART (INC. 18)

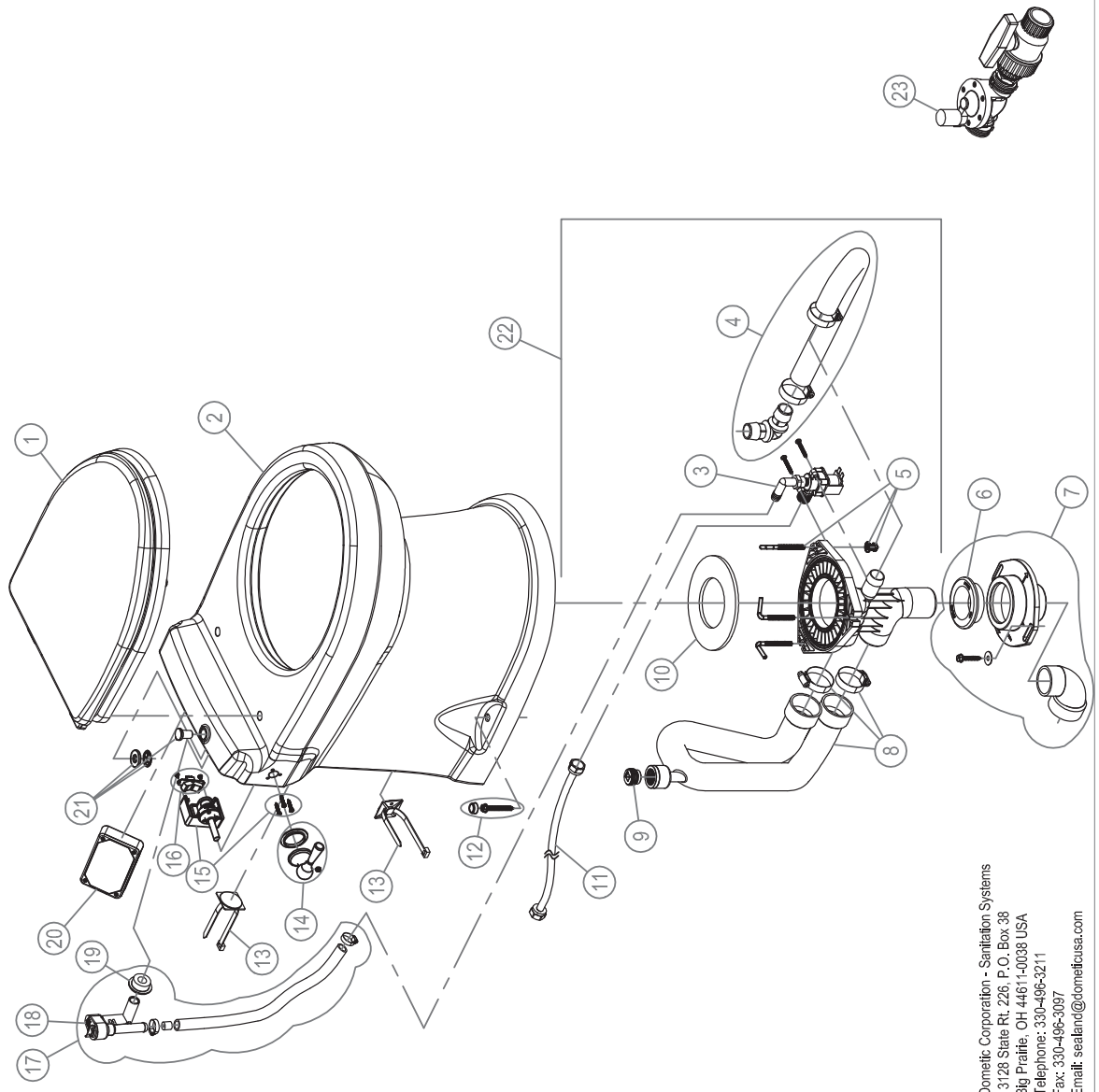


Dometic Corporation - Sanitation Systems
13128 State Rt. 226, P.O. Box 38
Big Prairie, OH 44611-0038 USA
Telephone: 330-496-3211
Fax: 330-496-3097
Email: sealand@dometicusa.com

P/N: 600346749
REV.: 02-10/14

PARTS LIST: 9300 MODEL SERIES (THRU-FLOOR DISCHARGE OPTION)

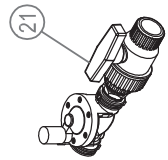
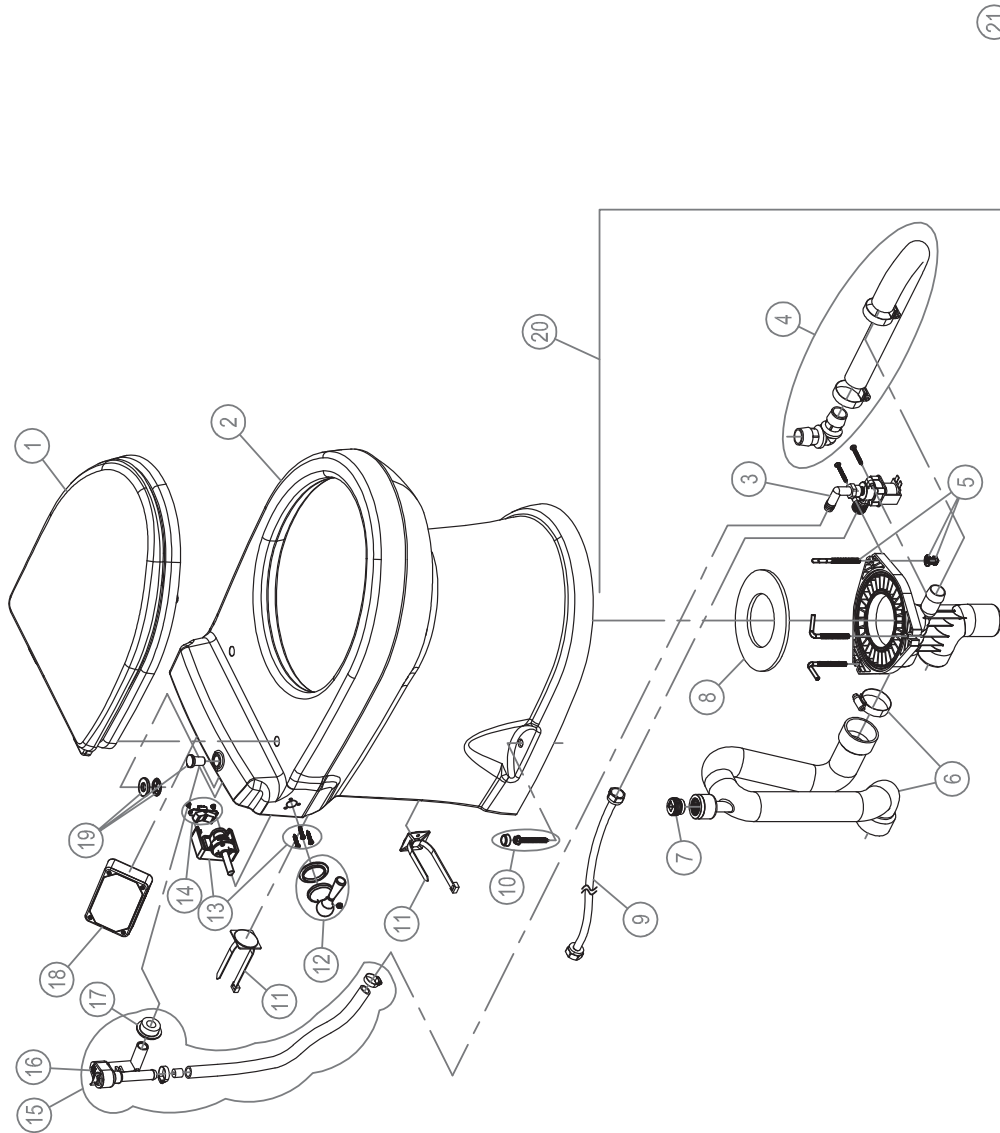
ITEM	PART NUMBER & DESCRIPTION
1	385311005 SEAT/COVER - WHITE 385311006 SEAT/COVER - BONE
2	9300 BOWL KIT - WHITE 9300 BOWL KIT - BONE **INCLUDES ITEM 5.
3	385311904 WATER VALVE KIT - 12VDC 385311905 WATER VALVE KIT - 24VDC
4	385311910 WATER JET INLET TUBE KIT
5	385311011 BASE TO BOWL MOUNTING HARDWARE
6	385311111 1-1/2" SEALING GROMMET
7	385311911 FLOOR FLANGE/MTG ADAPTER KIT **INCLUDES ITEM 6.
8	385311912 DISCHARGE TUBE-THRU FLOOR **INCLUDES ITEM 9.
9	385880080 ANTISIPHON VALVE REPLACEMENT
10	385311914 BASE SEAL REPLACEMENT
11	385311018 WATER SUPPLY HOSE
12	385311022 BOWL MOUNTING HARDWARE
13	385311915 COMPONENT MOUNTING STRAP KIT **KIT QUANTITY IS ONE SET.
14	385310962 FLUSH HANDLE KIT - CHROME 385310963 FLUSH HANDLE KIT - GOLD 385311141 FLUSH HANDLE KIT - NICKLE
15	385311916 FLUSH HANDLE MECHANISM KIT **INCLUDES ITEM 16.
16	385311917 FLUSH HANDLE SWITCH w/WIRING
17	385311918 VACUUM BREAKER KIT (COMPLETE)
18	385316906 VACUUM BREAKER KIT **INCLUDES ITEM 19.
19	385311164 1/2" SEALING GROMMET
20	385311919 CONTROL MODULE 12/24VDC
21	385311750 HOLE PLUG - WHITE 385311751 HOLE PLUG - BONE
22	93/9400 THUR FLOOR BASE KIT - 12VDC 93/9400 THUR FLOOR BASE KIT - 24VDC **INCLUDES ITEM 3-5 & 8-11.
23	385311924 JET VALVE ASSEMBLY - 12VDC 385311925 JET VALVE ASSEMBLY - 24VDC
NOT SHOWN	385311926 1-1/2" SWING CHECK VALVE
NOT SHOWN	385312043 1-1/2" SWING CHECK VALVE-UNION



Domestic Corporation - Sanitation Systems
13128 State Rt. 226, P.O. Box 38
Big Prairie, OH 44611-0038 USA
Telephone: 330-496-3211
Fax: 330-496-3097
Email: sealanr@domesticusa.com

PARTS LIST: 9300 MODEL SERIES (ABOVE-FLOOR DISCHARGE OPTION)

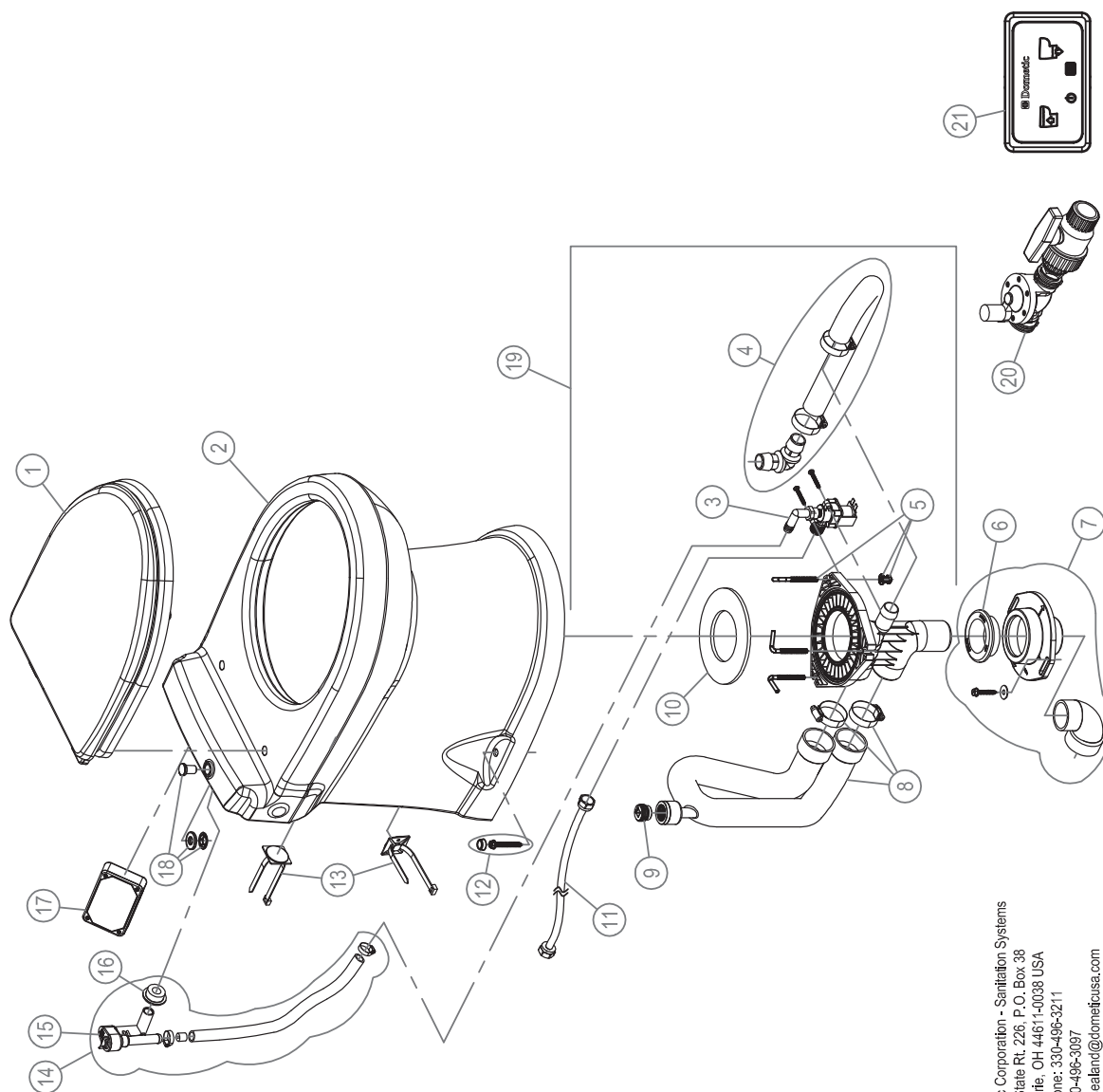
ITEM	PART NUMBER & DESCRIPTION
1	385311005 SEAT/COVER - WHITE 385311006 SEAT/COVER - BONE
2	9300 BOWL KIT - WHITE 9300 BOWL KIT - BONE **INCLUDES ITEM 5.
3	385311904 WATER VALVE KIT - 12VDC 385311905 WATER VALVE KIT - 24VDC
4	385311910 WATER JET INLET TUBE KIT
5	385311011 BASE TO BOWL MOUNTING HARDWARE
6	385311913 DISCHARGE TUBE-ABOVE FLOOR **INCLUDES ITEM 7.
7	385880080 ANTISIPHON VALVE REPLACEMENT
8	385311914 BASE SEAL REPLACEMENT
9	385311018 WATER SUPPLY HOSE
10	385311022 BOWL MOUNTING HARDWARE
11	385311915 COMPONENT MOUNTING STRAP KIT **KIT QUANTITY IS ONE SET.
12	385310962 FLUSH HANDLE KIT - CHROME 385310963 FLUSH HANDLE KIT - GOLD 385311141 FLUSH HANDLE KIT - NICKLE
13	385311916 FLUSH HANDLE MECHANISM KIT **INCLUDES ITEM 14.
14	385311917 FLUSH HANDLE SWITCH w/WIRING
15	385311918 VACUUM BREAKER KIT (COMPLETE)
16	385316906 VACUUM BREAKER KIT **INCLUDES ITEM 17.
17	385311164 1/2" SEALING GROMMET
18	385311919 CONTROL MODULE 12/24VDC
19	385311750 HOLE PLUG - WHITE 385311751 HOLE PLUG - BONE
20	93/9400 ABOVE FLOOR BASE KIT - 12VDC 93/9400 ABOVE FLOOR BASE KIT - 24VDC **INCLUDES ITEM 3-9.
21	385311924 JET VALVE ASSEMBLY - 12VDC 385311925 JET VALVE ASSEMBLY - 24VDC
NOT SHOWN	385311926 1-1/2" SWING CHECK VALVE
NOT SHOWN	385312043 1-1/2" SWING CHECK VALVE-UNION



P/N: 600346798
REV.: 02-10/14

PARTS LIST: 9400 MODEL SERIES (THRU-FLOOR DISCHARGE OPTION)

ITEM	PART NUMBER & DESCRIPTION
1	385311005 SEAT/COVER - WHITE 385311006 SEAT/COVER - BONE
2	385311730 9400 BOWL KIT - WHITE 385311731 9400 BOWL KIT - BONE **INCLUDES ITEM 5.
3	385311904 WATER VALVE KIT - 12VDC 385311905 WATER VALVE KIT - 24VDC
4	385311910 WATER JET INLET TUBE KIT
5	385311011 BASE TO BOWL MOUNTING HARDWARE
6	385311111 1-1/2" SEALING GROMMET
7	385311911 FLOOR FLANGE/MTG ADAPTER KIT **INCLUDES ITEM 6.
8	385311912 DISCHARGE TUBE-THRU FLOOR **INCLUDES ITEM 9.
9	385880080 ANTISIPHON VALVE REPLACEMENT
10	385311914 BASE SEAL REPLACEMENT
11	385311018 WATER SUPPLY HOSE
12	385311022 BOWL MOUNTING HARDWARE
13	385311915 COMPONENT MOUNTING STRAP KIT **KIT QUANTITY IS ONE SET.
14	385311918 VACUUM BREAKER KIT (COMPLETE)
15	385316906 VACUUM BREAKER KIT **INCLUDES ITEM 16.
16	385311164 1/2" SEALING GROMMET
17	385311919 CONTROL MODULE 12/24VDC
18	385311750 HOLE PLUG - WHITE 385311751 HOLE PLUG - BONE
19	385311920 93/9400 THUR FLOOR BASE KIT - 12VDC 385311921 93/9400 THUR FLOOR BASE KIT - 24VDC **INCLUDES ITEM 3,5 & 8-11.
20	385311924 JET VALVE ASSEMBLY - 12VDC 385311925 JET VALVE ASSEMBLY - 24VDC
21	313600021 DOMETIC TOUCHPAD FLUSH SWITCH - WHITE 313600022 DOMETIC TOUCHPAD FLUSH SWITCH - BLACK
NOT SHOWN	385311926 1-1/2" SWING CHECK VALVE
NOT SHOWN	385312043 1-1/2" SWING CHECK VALVE-UNION

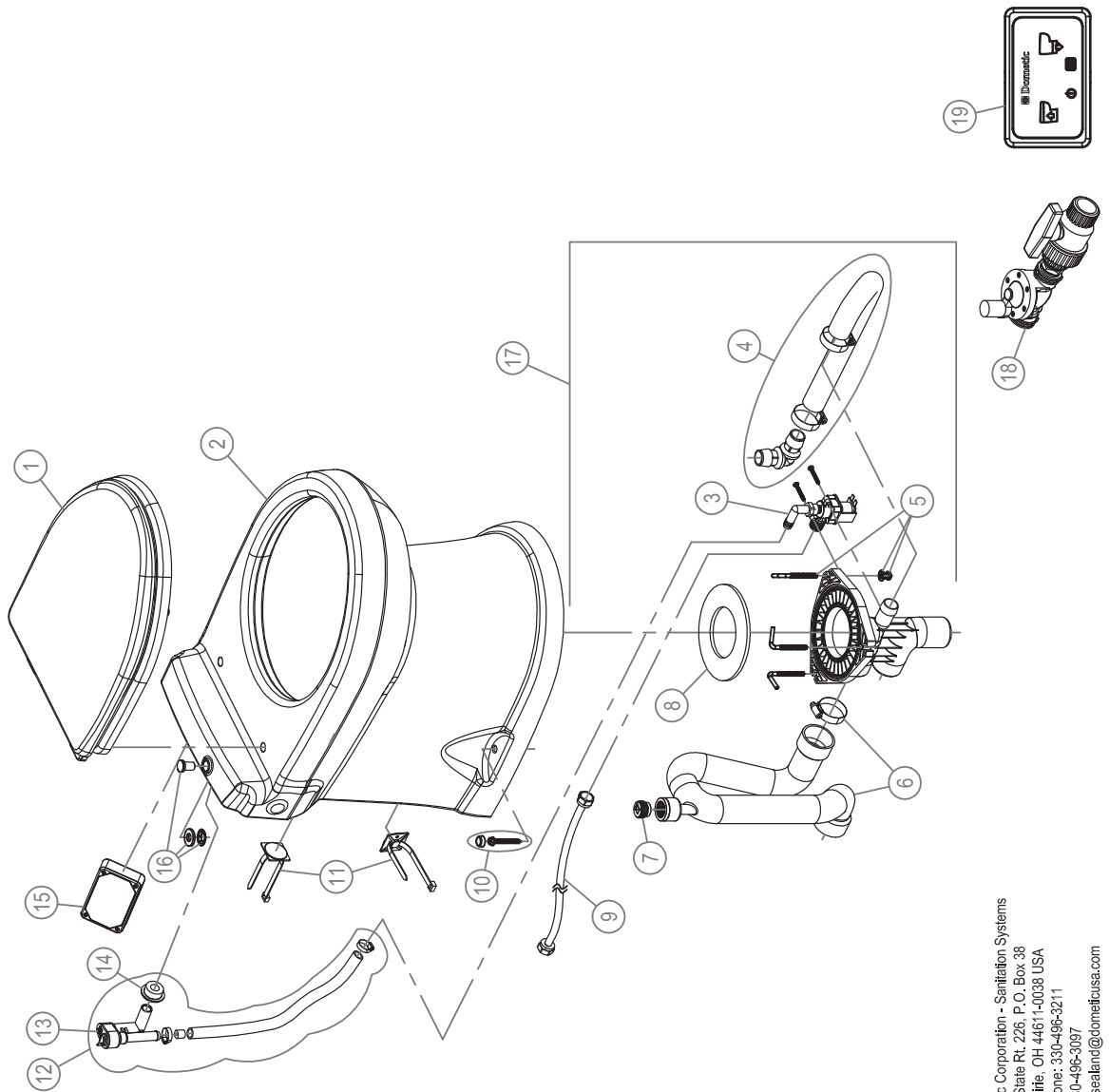


Domestic Corporation - Sanitation Systems
13128 State Rt. 226, P.O. Box 38
Big Prairie, OH 44611-0038 USA
Telephone: 330-496-3211
Fax: 330-496-3097
Email: sealand@domesticusa.com

P/N: 600346799
REV.: 02-10/14

PARTS LIST: 9400 MODEL SERIES (ABOVE-FLOOR DISCHARGE OPTION)

ITEM	PART NUMBER & DESCRIPTION
1	385311005 SEAT/COVER - WHITE 385311006 SEAT/COVER - BONE
2	385311730 9400 BOWL KIT - WHITE 385311731 9400 BOWL KIT - BONE **INCLUDES ITEM 5.
3	385311904 WATER VALVE KIT - 12VDC 385311905 WATER VALVE KIT - 24VDC
4	385311910 WATER JET INLET TUBE KIT
5	385311011 BASE TO BOWL MOUNTING HARDWARE
6	385311913 DISCHARGE TUBE-ABOVE FLOOR **INCLUDES ITEM 7.
7	385880080 ANTISIPHON VALVE REPLACEMENT
8	385311914 BASE SEAL REPLACEMENT
9	385311018 WATER SUPPLY HOSE
10	385311022 BOWL MOUNTING HARDWARE
11	385311915 COMPONENT MOUNTING STRAP KIT **KIT QUANTITY IS ONE SET.
12	385311918 VACUUM BREAKER KIT (COMPLETE)
13	385316906 VACUUM BREAKER KIT **INCLUDES ITEM 14.
14	385311164 1/2" SEALING GROMMET
15	385311919 CONTROL MODULE 12/24VDC
16	385311750 HOLE PLUG - WHITE 385311751 HOLE PLUG - BONE
17	385311922 93/9400 ABOVE FLOOR BASE KIT - 12VDC 385311923 93/9400 ABOVE FLOOR BASE KIT - 24VDC **INCLUDES ITEM 3-9.
18	385311924 JET VALVE ASSEMBLY - 12VDC 385311925 JET VALVE ASSEMBLY - 24VDC
19	313600021 DOMETIC TOUCHPAD FLUSH SWITCH - WHITE 313600022 DOMETIC TOUCHPAD FLUSH SWITCH - BLACK
NOT SHOWN	385311926 1-1/2" SWING CHECK VALVE
NOT SHOWN	385312043 1-1/2" SWING CHECK VALVE-UNION

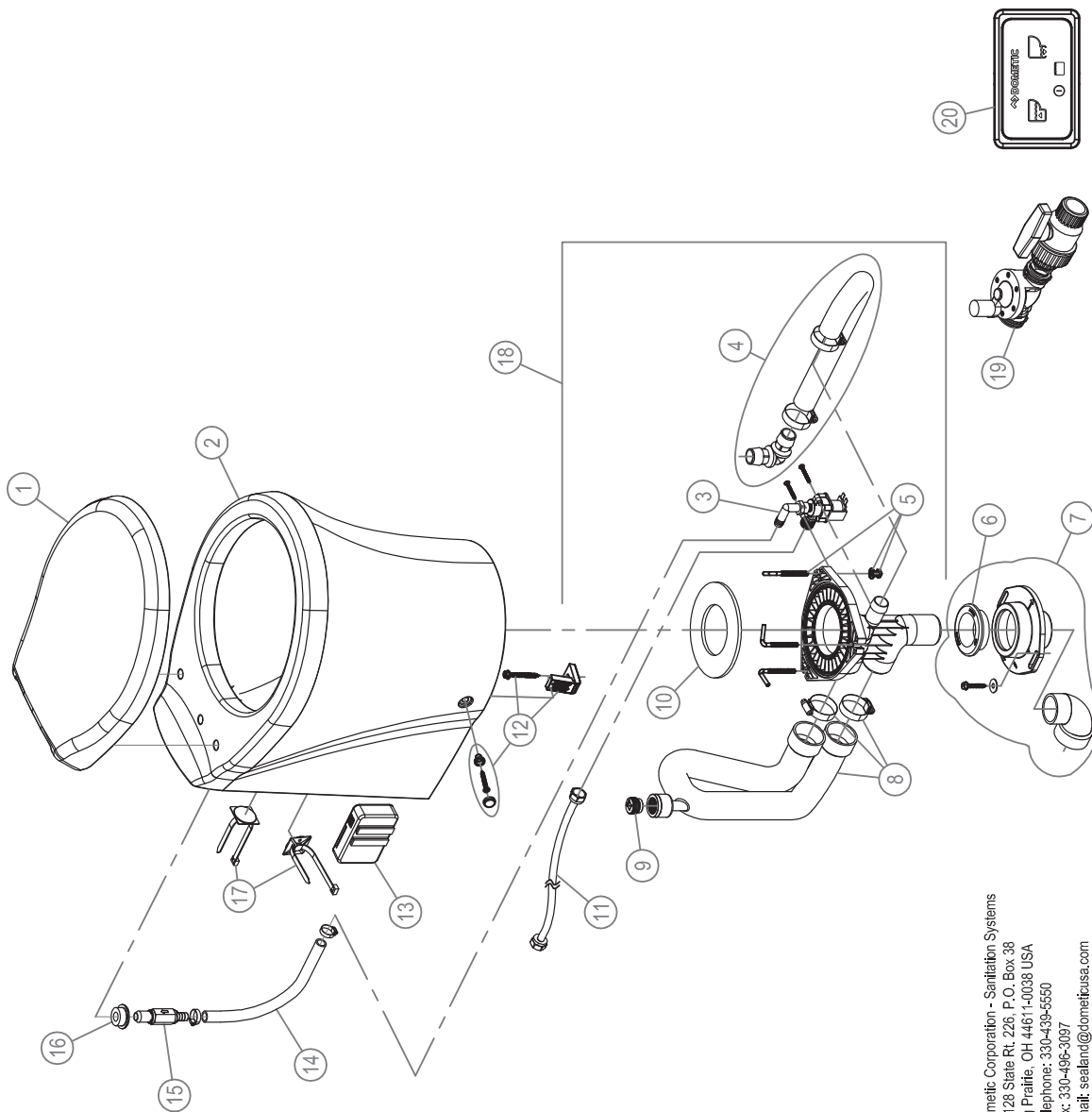


Dometic Corporation - Sanitation Systems
13128 State Rt. 226, P.O. Box 38
Big Prairie, OH 44611-0038 USA
Telephone: 330-496-3211
Fax: 330-496-3097
Email: sealand@dometicus.com

P/N: 600346910
REV.: 03-01/17

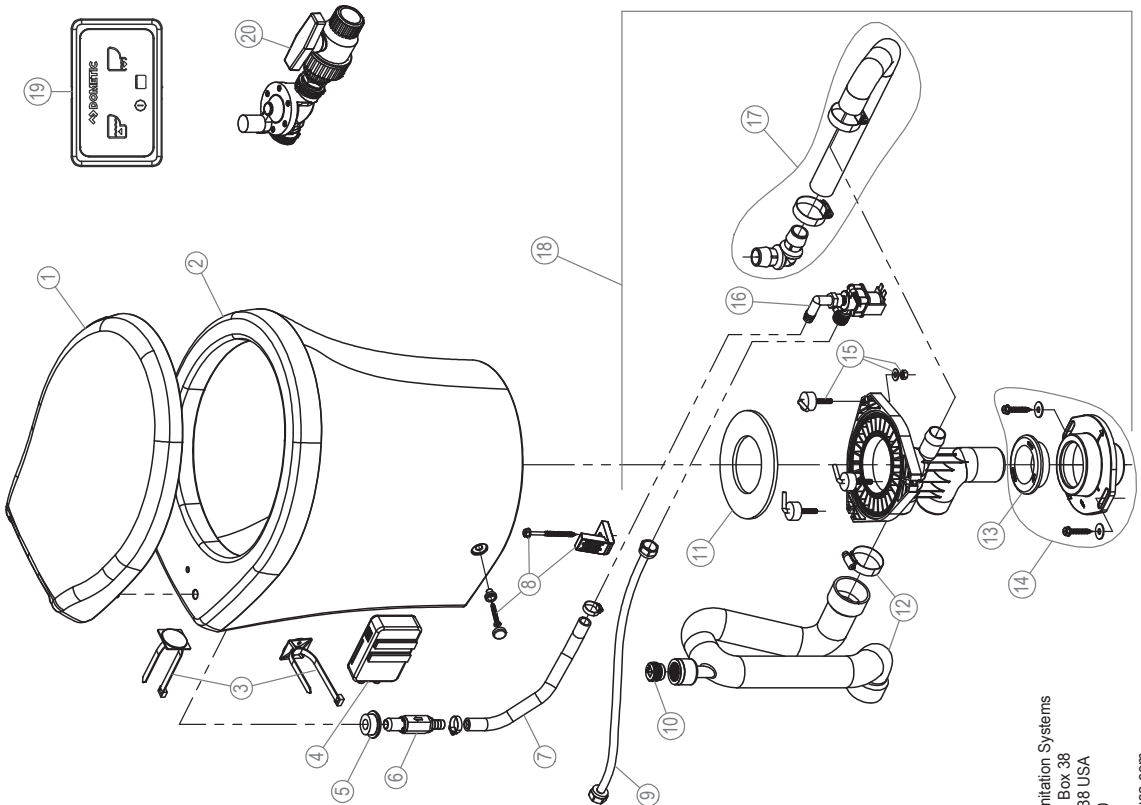
PARTS LIST: 9640 MODEL SERIES (THRU-FLOOR DISCHARGE OPTION)

ITEM	PART NUMBER & DESCRIPTION
1	385311618 SEAT/COVER SLOW-CLOSE - WHITE 385311619 SEAT/COVER SLOW-CLOSE - BONE
2	385311870 9640 BOWL KIT - WHITE 385311871 9640 BOWL KIT - BONE **INCLUDES ITEM 5.
3	385311905 WATER VALVE KIT - 24VDC
4	385311910 WATER JET INLET TUBE KIT
5	385311011 BASE TO BOWL MOUNTING HARDWARE
6	385311111 1-1/2" SEALING GROMMET
7	385311911 FLOOR FLANGE/MTG ADAPTER KIT **INCLUDES ITEM 6.
8	385311912 DISCHARGE TUBE-THRU FLOOR **INCLUDES ITEM 9.
9	385880080 ANTISIPHON VALVE REPLACEMENT
10	385311914 BASE SEAL REPLACEMENT
11	385311018 WATER SUPPLY HOSE
12	385311463 BOWL MOUNTING HARDWARE KIT
13	385311919 CONTROL MODULE 12/24 VDC
14	385345377 BOWL WATER SUPPLY HOSE **INCLUDES HOSE CLAMPS.
15	385311456 CHECK VALVE KIT **INCLUDES ITEM 16.
16	385311164 1/2" SEALING GROMMET
17	385311915 COMPONENT MOUNTING STRAP KIT **KIT QUANTITY IS ONE SET.
18	385311921 93/94/96 THUR FLOOR BASE KIT - 24VDC **INCLUDES ITEM 3-5 & 8-11.
19	385311925 JET VALVE ASSEMBLY - 24VDC
20	313600022 DOMETIC TOUCHPAD FLUSH SWITCH - BLACK 385311926 1-1/2" SWING CHECK VALVE
NOT SHOWN	385312043 1-1/2" SWING CHECK VALVE-UNION



Domestic Corporation - Sanitation Systems
13128 State Rt. 226, P.O. Box 38
Big Prairie, OH 44611-0038 USA
Telephone: 330-439-5550
Fax: 330-439-3097
Email: seatlanc@domesticusa.com

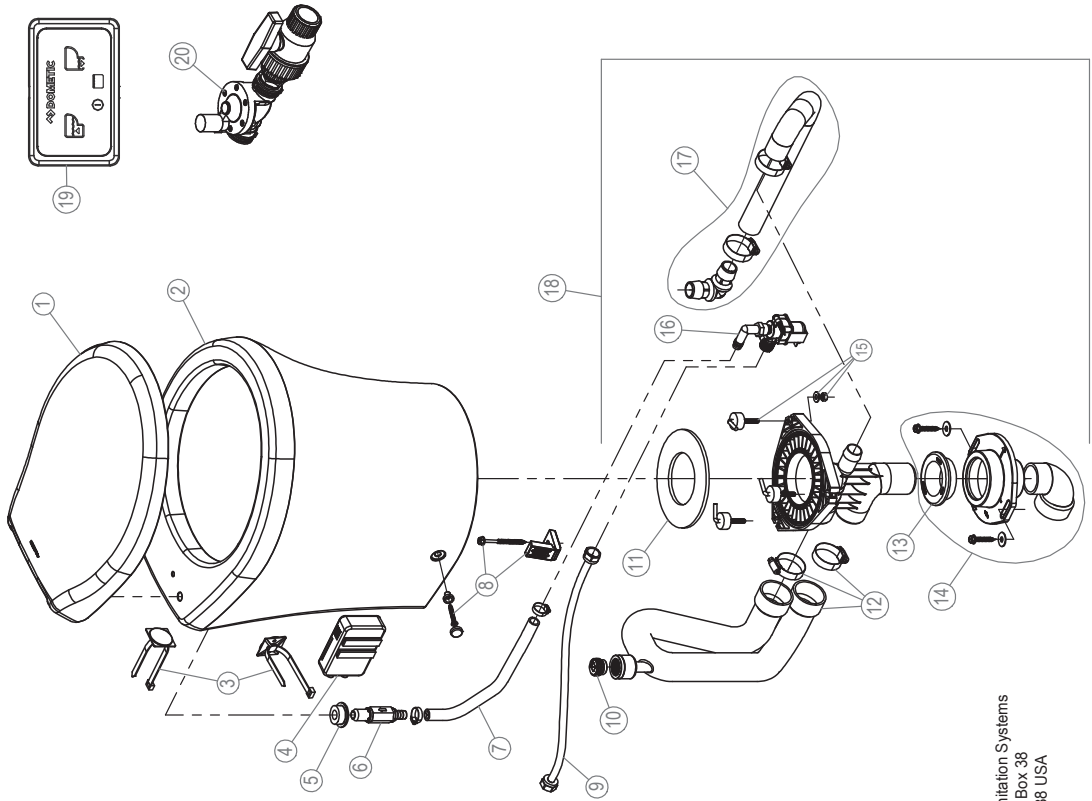
PARTS LIST: 9840 MODEL (ABOVE FLOOR DISCHARGE OPTION)



ITEM	PART NUMBER & DESCRIPTION
1	385311618 - SEAT/COVER SLOW-CLOSE KIT - WHITE 385311619 - SEAT/COVER SLOW-CLOSE KIT - BONE
2	385311380 - BOWL KIT - WHITE 385311381 - BOWL KIT - BONE
3	385311915 - COMPONENT MOUNTING STRAP KIT **Kit Quantity is One Set.
4	385311919 - CONTROL MODULE 12/24 VDC
5	385311164 - 1/2" SEALING GROMMET
6	385311456 - BARBED CHECK VALVE REPLACEMENT **Includes Item #5.
7	385345377 - BOWL WATER SUPPLY HOSE **Includes Hose Clamps.
8	385311463 - BOWL MOUNTING HARDWARE KIT
9	385311018 - WATER SUPPLY HOSE 1/2 FPT
10	385880080 - ANTISIPHON VALVE REPLACEMENT
11	385311914 - BASE SEAL REPLACEMENT
12	385311913 - DISCHARGE TUBE-ABOVE FLOOR **Includes Item #10.
13	385311111 - 1-1/2" SEALING GROMMET
14	385311911 - FLOOR FLANGE/MTG ADAPTER KIT **Includes Item #13.
15	385311011 - BASE TO BOWL MOUNTING HARDWARE
16	385311905 - WATER VALVE KIT - 24VDC
17	385311910 - WATER JET INLET TUBE KIT
18	385311923 - 9000 SERIES ABOVE FLOOR BASE KIT-24VDC **Includes #9-12 & #15-17.
19	313600022 - DOMETIC TOUCHPAD FLUSH SWITCH-BLACK
20	385311925 - JET VALVE ASSEMBLY - 24VDC
NOT SHOWN	385311926 - 1-1/2" SWING CHECK VALVE
NOT SHOWN	385312043 - 1-1/2" SWING CHECK VALVE-UNION

P/N: 600347470
REV.: 01-06/18

PARTS LIST: 9842 TALL RUSHFLUSH TOILET / 330984201 & 330984202

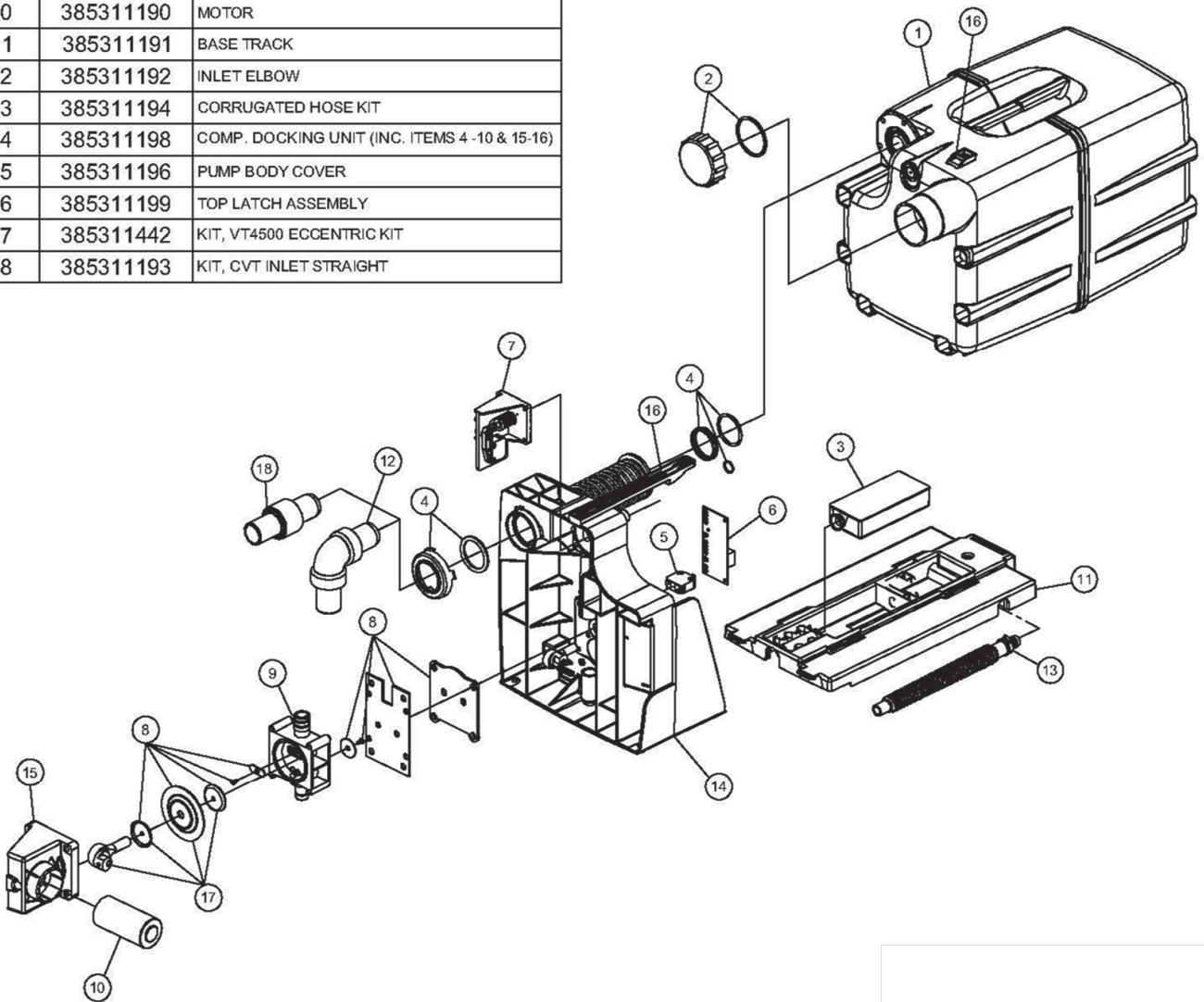


ITEM	PART NUMBER & DESCRIPTION
1	385311618 - SEAT/COVER SLOW-CLOSE KIT - WHITE 385311619 - SEAT/COVER SLOW-CLOSE KIT - BONE
2	385311380 - BOWL KIT - WHITE 385311381 - BOWL KIT - BONE
3	385311915 - COMPONENT MOUNTING STRAP KIT **Kit Quantity is One Set.
4	385311919 - CONTROL MODULE 12/24 VDC
5	385311164 - 1/2" SEALING GROMMET
6	385311456 - BARBED CHECK VALVE REPLACEMENT **Includes Item 5.
7	385345377 - BOWL WATER SUPPLY HOSE **Includes Hose Clamps.
8	385311463 - BOWL MOUNTING HARDWARE KIT
9	385311018 - WATER SUPPLY HOSE 1/2 FPT
10	385880080 - ANTISIPHON VALVE REPLACEMENT
11	385311914 - BASE SEAL REPLACEMENT
12	385311912 - DISCHARGE TUBE-THRU FLOOR OPTION **Includes Item 10.
13	385311111 - 1-1/2" SEALING GROMMET
14	385311911 - FLOOR FLANGE/MTG ADAPTER KIT **Includes Item 13.
15	385311011 - BASE TO BOWL MOUNTING HARDWARE
16	385311905 - WATER VALVE KIT - 24VDC
17	385311910 - WATER JET INLET TUBE KIT
18	385311921 - 9000 SERIES THRU-FLOOR BASE KIT-24VDC **Includes 9-12 & 15-17.
19	313600022 - DOMETIC TOUCHPAD FLUSH SWITCH-BLACK
20	385311925 - JET VALVE ASSEMBLY - 24VDC
NOT SHOWN	385311926 - 1-1/2" SWING CHECK VALVE
NOT SHOWN	385312043 - 1-1/2" SWING CHECK VALVE-UNION

Domestic Corporation - Sanitation Systems
13128 State Rt. 226, P.O. Box 38
Big Prairie, OH 44611-0038 USA
Telephone: 330-439-5550
Fax: 330-496-3097
Email: sealand@dometicusa.com

PARTS LIST: CVT MARINE 326002510

ITEM	PART NO.	DESCRIPTION
1	385311326	HOLDING TANK (INC. ITEM 2 & 16)
2	385311181	CAP AND SEAL
3	385311183	VENT FILTER
4	385311184	O'RING KIT
5	385311185	SNAP ACTION SWITCH
6	385311186	CIRCUIT BOARD
7	385311187	VACUUM SWITCH ASSY.
8	385311188	PUMP REBUILD KIT
9	385311189	COMPLETE AIR PUMP BODY (INC. ITEM 8)
10	385311190	MOTOR
11	385311191	BASE TRACK
12	385311192	INLET ELBOW
13	385311194	CORRUGATED HOSE KIT
14	385311198	COMP. DOCKING UNIT (INC. ITEMS 4 -10 & 15-16)
15	385311196	PUMP BODY COVER
16	385311199	TOP LATCH ASSEMBLY
17	385311442	KIT, VT4500 ECCENTRIC KIT
18	385311193	KIT, CVT INLET STRAIGHT

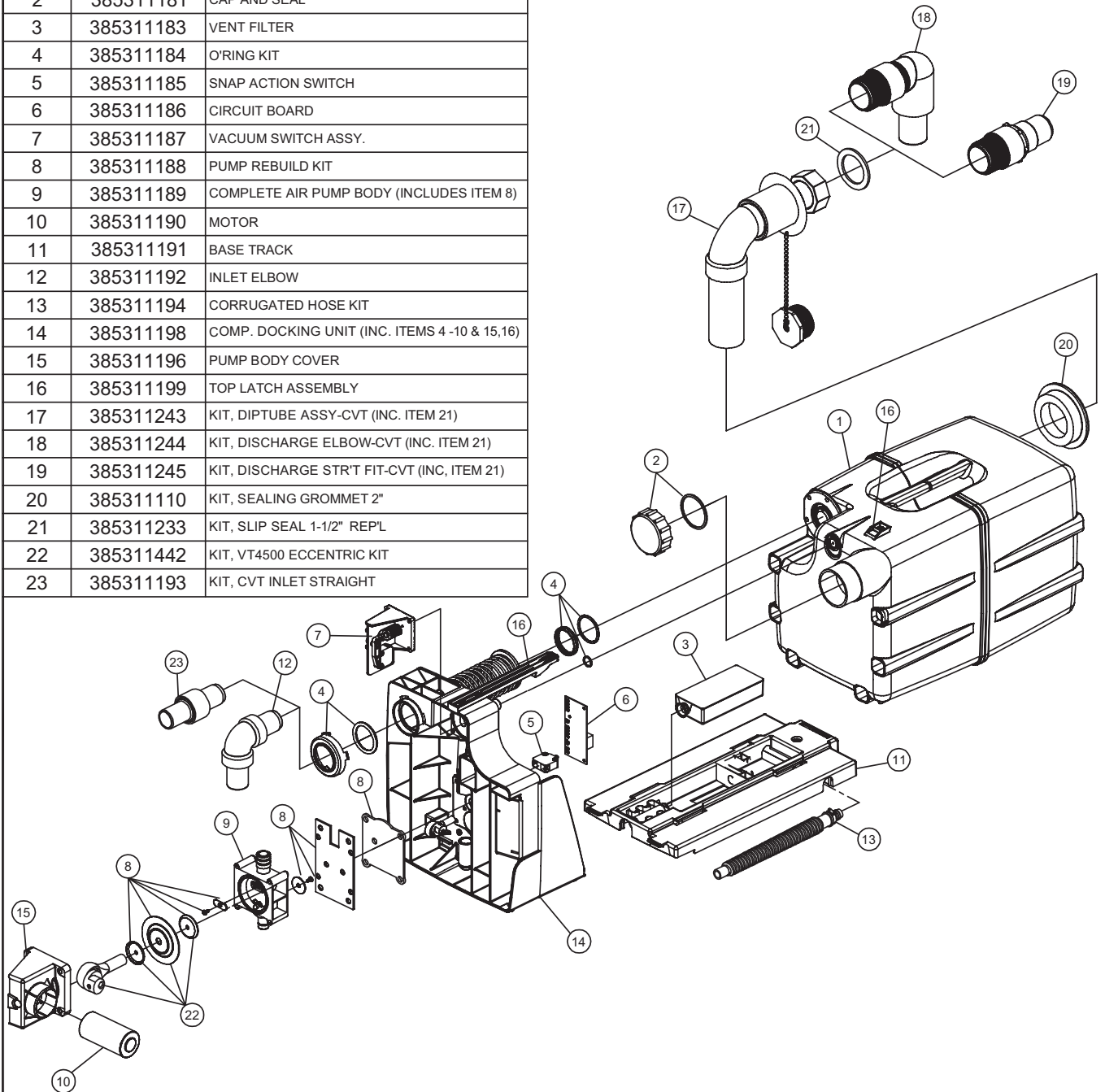


**Obsolete Finished Good;
Parts may still be available.**

Dometic Corporation - Sanitation Systems
13128 State Rt. 226, P.O. Box 38
Big Prairie, OH 44611-0038 USA
Telephone: 330-496-3211
Fax: 330-496-3097
Email: sealand@dometicusa.com

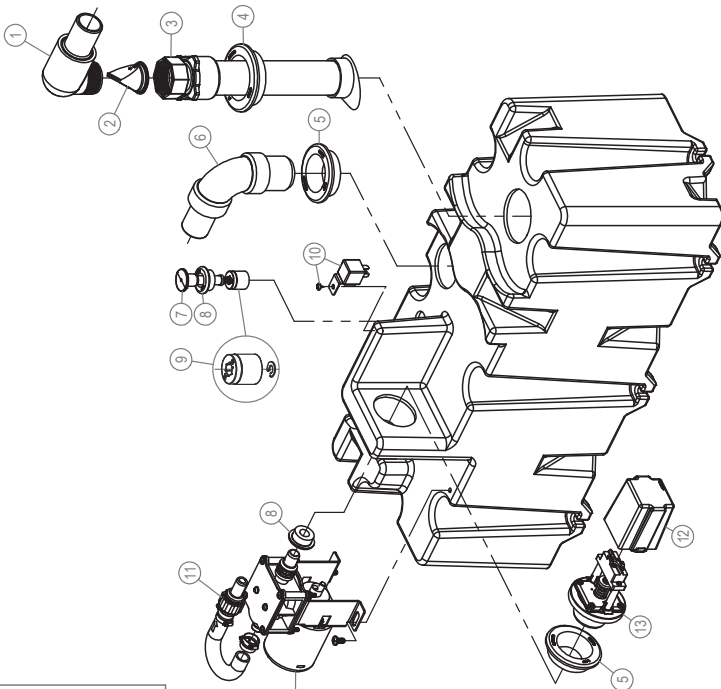
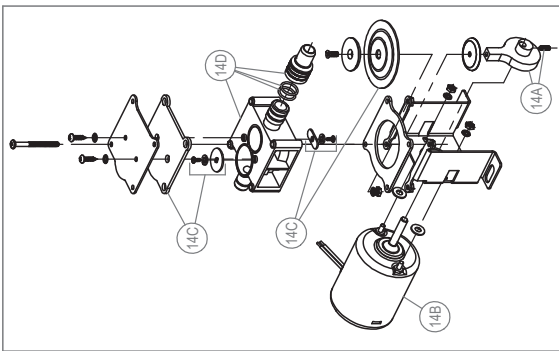
PARTS LIST: CVT MARINE 326002520 & 326002521

ITEM	PART NO.	DESCRIPTION
1	385311182	HOLDING TANK (INCLUDES ITEM 2 ,16,17,20,21)
2	385311181	CAP AND SEAL
3	385311183	VENT FILTER
4	385311184	O'RING KIT
5	385311185	SNAP ACTION SWITCH
6	385311186	CIRCUIT BOARD
7	385311187	VACUUM SWITCH ASSY.
8	385311188	PUMP REBUILD KIT
9	385311189	COMPLETE AIR PUMP BODY (INCLUDES ITEM 8)
10	385311190	MOTOR
11	385311191	BASE TRACK
12	385311192	INLET ELBOW
13	385311194	CORRUGATED HOSE KIT
14	385311198	COMP. DOCKING UNIT (INC. ITEMS 4 -10 & 15,16)
15	385311196	PUMP BODY COVER
16	385311199	TOP LATCH ASSEMBLY
17	385311243	KIT, DIPTUBE ASSY-CVT (INC. ITEM 21)
18	385311244	KIT, DISCHARGE ELBOW-CVT (INC. ITEM 21)
19	385311245	KIT, DISCHARGE STR'T FIT-CVT (INC. ITEM 21)
20	385311110	KIT, SEALING GROMMET 2"
21	385311233	KIT, SLIP SEAL 1-1/2" REPL
22	385311442	KIT, VT4500 ECCENTRIC KIT
23	385311193	KIT, CVT INLET STRAIGHT



P/N: 600344829
REV.: 02-12/17

PARTS LIST: VACUUM HOLDING TANK / 317769012

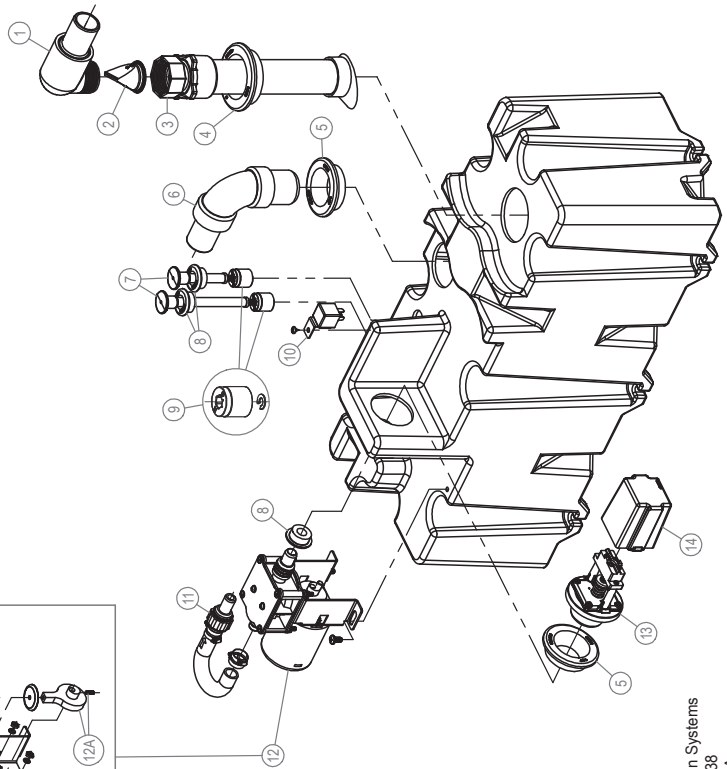
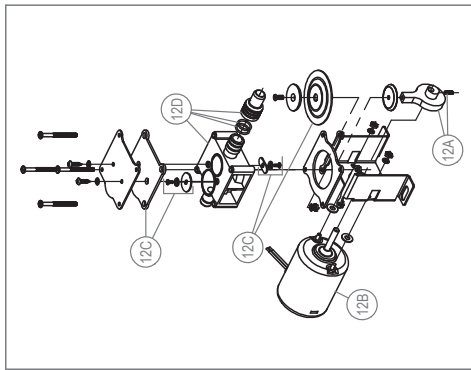


ITEM	PART NUMBER & DESCRIPTION
1	385311069 - 1-1/2" THREADED ELBOW HOSE ADAPTER
2	385311620 - 1-1/2" CHECK VALVE
3	385311421 - DIPTUBE ASSY W/SLIP NUT **Includes Item 4.
4	385311110 - 2" SEALING GROMMET
5	385311111 - 1-1/2" SEALING GROMMET
6	385310635 - 1-1/2" INLET ELBOW FITTING **Includes Item 5.
7	385310629 - TANK FULL LEVEL **Includes Item 8.
8	385311164 - 1/2" SEALING GROMMET
9	385311103 - TANK LEVEL FLOAT & LOCK RING
10	385311774 - SHUTDOWN RELAY & HARNESS ASSEMBLY **Includes Mounting Screw.
11	385312125 - AIR PUMP CHECK VALVE **Includes hose clamps.
12	385311420 - VACUUM SWITCH COVER (BLACK)
13	385311436 - VACUUM SWITCH ASSEMBLY **Includes Item 5.
14	385310642 - AIR PUMP REPLACEMENT (COMPLETE) **Includes Items 14A, 14B, 14C, 14D.
14A	385310631 - AIR PUMP CONNECTING ROD
14B	385310664 - MOTOR REPLACEMENT KIT (VHT6.5)
14C	385311040 - AIR PUMP VALVE REPLACEMENT KIT
14D	385311440 - AIR PUMP BODY REPLACEMENT KIT **Includes Item 14C.

Dometic Corporation - Sanitation Systems
13128 State Rt. 226, P. O. Box 38
Big Prairie, OH 44611-0038 USA
Telephone: 330-439-5550
Fax: 330-496-3097
Email: sealand@dometicus.com

P/N: 600344831
REV.: 02-12/17

PARTS LIST: VACUUM HOLDING TANK / 317769212



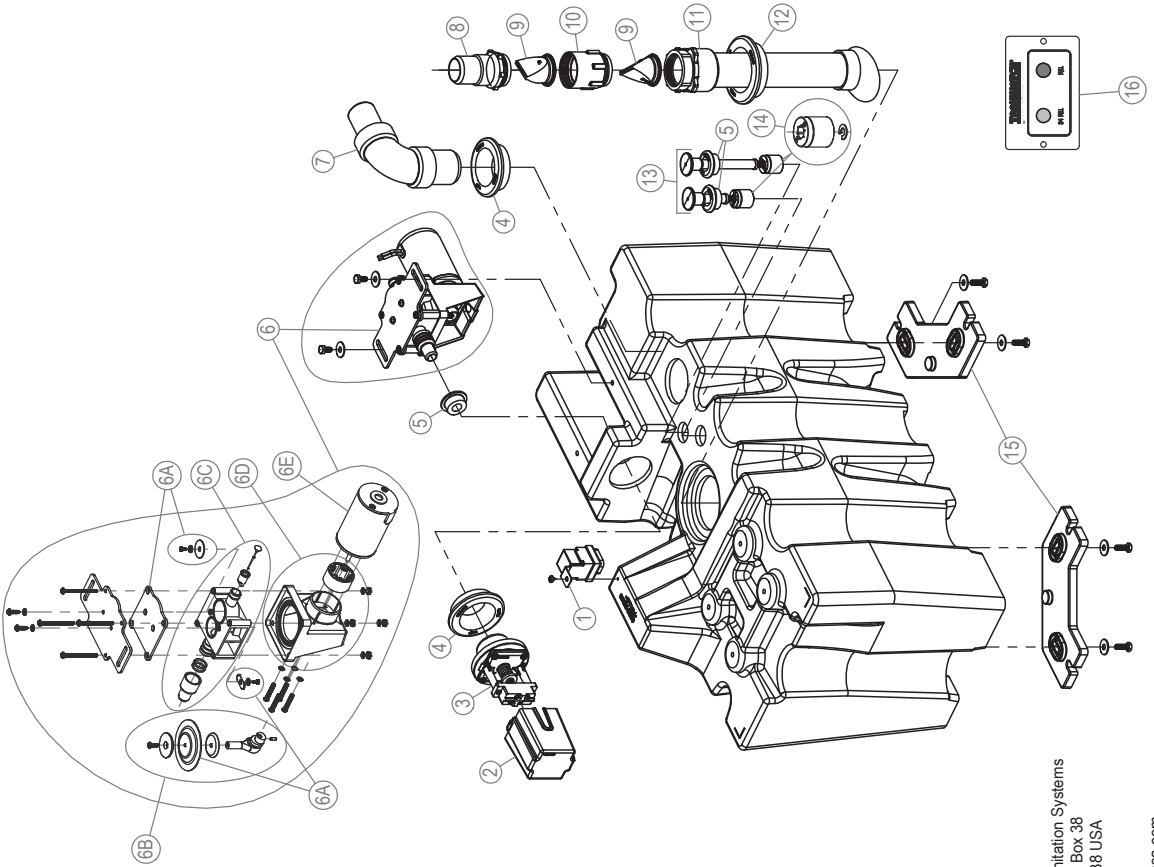
ITEM	PART NUMBER & DESCRIPTION
1	385311069 - 1-1/2" THREADED ELBOW HOSE ADAPTER
2	385311620 - 1-1/2" CHECK VALVE
3	385311421 - DIPTUBE ASSY W/SLIP NUT **Includes Item 4.
4	385311110 - 2" SEALING GROMMET
5	385311111 - 1-1/2" SEALING GROMMET
6	385310635 - 1-1/2" INLET ELBOW FITTING **Includes Item 5.
7	385312128 - TANK LEVELS **Includes Item 8 & 9.
8	385311164 - 1/2" SEALING GROMMET
9	385311103 - TANK LEVEL FLOAT & LOCK RING
10	385311774 - SHUTDOWN RELAY & HARNESS ASSEMBLY **Includes Mounting Screw.
11	385312125 - AIR PUMP CHECK VALVE **Includes hose clamps.
12	385310642 - AIR PUMP REPLACEMENT (COMPLETE) **Includes Items 12A, 12B, 12C, 12D.
12A	385310631 - AIR PUMP CONNECTING ROD
12B	385310664 - MOTOR REPLACEMENT KIT (VHT6.5)
12C	385311040 - AIR PUMP VALVE REPLACEMENT KIT
12D	385311440 - AIR PUMP BODY REPLACEMENT KIT **Includes Item 12C.
13	385311436 - VACUUM SWITCH ASSEMBLY **Includes Item 5.
14	385311420 - VACCUM SWITCH COVER (BLACK)

Dometic Corporation - Sanitation Systems
13128 State Rt. 226, P.O. Box 38
Big Prairie, OH 44611-0038 USA
Telephone: 330-439-5550
Fax: 330-496-3097
Email: sealand@dometicusa.com

P/N: 600346277
REV.: 02-05/15

PARTS LIST: VHT4501 - 317704501

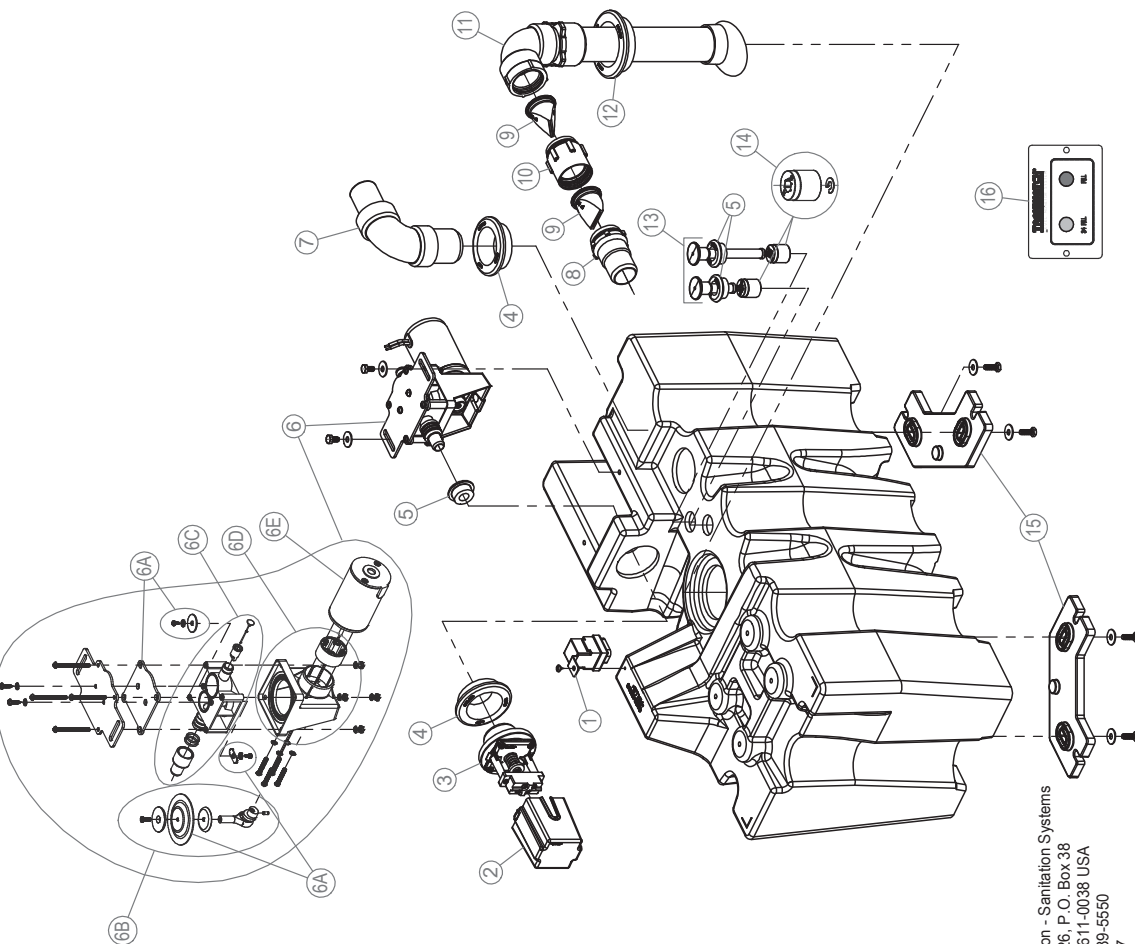
ITEM	PART NUMBER & DESCRIPTION
1	385310842 - SHUTDOWN RELAY ASSY (12vdc)
2	385311420 - VACCUUM SWITCH COVER (BLACK)
3	385311436 - VACUUM SWITCH ASSEMBLY **Includes Item 4.
4	385311111 - 1-1/2" SEALING GROMMET
5	385311164 - 1/2" SEALING GROMMET
6	385311450 - AIR PUMP w/MOTOR (COMPLETE)
6A	385311040 - AIR PUMP VALVE REPLACEMENT KIT
6B	385311442 - ECCENTRIC KIT
6C	385311440 - AIR PUMP BODY REPLACEMENT KIT **Includes Item 6A.
6D	385311438 - MOTOR MOUNTING ASSEMBLY **Includes Items 4B & 4E.
6E	385311439 - MOTOR REPLACEMENT KIT
7	385310635 - 1-1/2" INLET ELBOW FITTING **Includes Item 4.
8	385311315 - 1-1/2" PUMP OUTLET FITTING
9	385310076 - 1-1/2" CHECK VALVE KIT **2pcs per Kit.
10	385311316 - 1-1/2" CHECK VALVE ADAPTER FITTING
11	385311441 - VHT4500 DISCHARGE ASSY FITTING **Includes Item 12.
12	385311110 - 2" SEALING GROMMET
13	385312061 - TANK LEVELS - 3-QTR/FULL SLIP TERMINAL **Includes Item 5.
14	385311103 - TANK LEVEL FLOAT & LOCK RING
15	385311437 - TANK MOUNTING BRACKET **1 per Kit; Includes Mounting Hardware.
16	385311443 - 3-QTR/FULL TANK LEVEL PANEL & HARNESS



Dometic Corporation - Sanitation Systems
13128 State Rt. 226, P.O. Box 38
Big Prairie, OH 44611-0038 USA
Telephone: 330-439-5550
Fax: 330-496-3097
Email: sealand@dometicusa.com

P/N: 600347198
REV.: 01-05/15

PARTS LIST: VHT4502 - 317704502



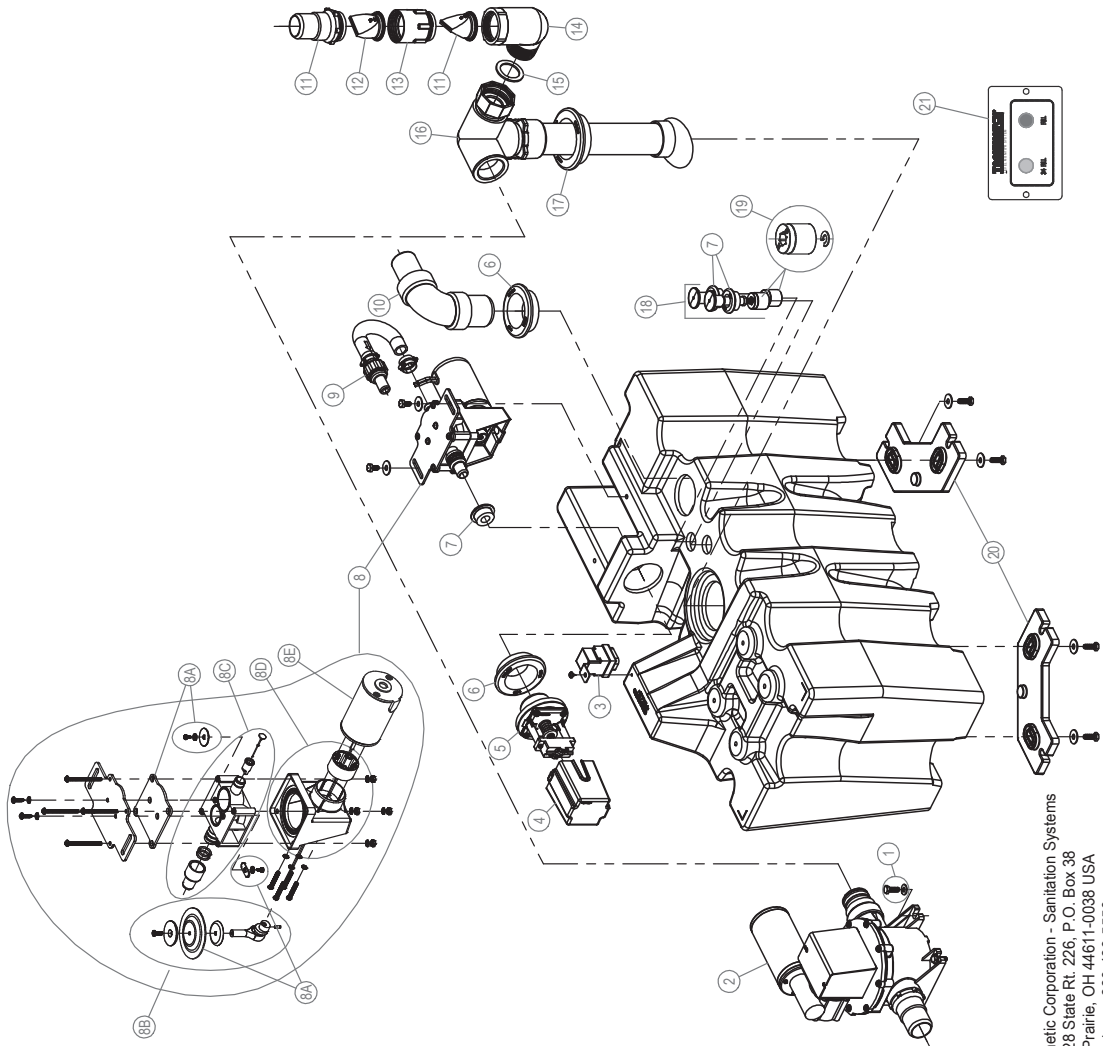
ITEM	PART NUMBER & DESCRIPTION
1	385310842 - SHUTDOWN RELAY ASSY (12vdc)
2	385311420 - VACCUM SWITCH COVER (BLACK)
3	385311436 - VACUUM SWITCH ASSEMBLY **Includes Item 4.
4	385311111 - 1-1/2" SEALING GROMMET
5	385311164 - 1/2" SEALING GROMMET
6	385311450 - AIR PUMP w/MOTOR (COMPLETE)
6A	385311040 - AIR PUMP VALVE REPLACEMENT KIT
6B	385311442 - ECCENTRIC KIT
6C	385311440 - AIR PUMP BODY REPLACEMENT KIT **Includes Item 6A.
6D	385311438 - MOTOR MOUNTING ASSEMBLY **Includes Items 4B & 4E.
6E	385311439 - MOTOR REPLACEMENT KIT
7	385310635 - 1-1/2" INLET ELBOW FITTING **Includes Item 4.
8	385311315 - 1-1/2" PUMP OUTLET FITTING
9	385310076 - 1-1/2" CHECK VALVE KIT **2pcs per Kit.
10	385311316 - 1-1/2" CHECK VALVE ADAPTER FITTING
11	385311435 - VHT4500 90° DISCHARGE ASSY FITTING **Includes Item 12.
12	385311110 - 2" SEALING GROMMET
13	385312061 - TANK LEVELS - 3-QTR/FULL SLIP TERMINAL **Includes Item 5.
14	385311103 - TANK LEVEL FLOAT & LOCK RING
15	385311437 - TANK MOUNTING BRACKET **1 per Kit; Includes Mounting Hardware.
16	385311443 - 3-QTR/FULL TANK LEVEL PANEL & HARNESS

Dometic Corporation - Sanitation Systems
13128 State Rt. 226, P.O. Box 38
Big Prairie, OH 44611-0038 USA
Telephone: 330-439-5550
Fax: 330-496-3097
Email: sealand@dometicus.com

P/N: 600346278
REV.: 04-12/17

PARTS LIST: VHT4511 - 317704511 & 317734511

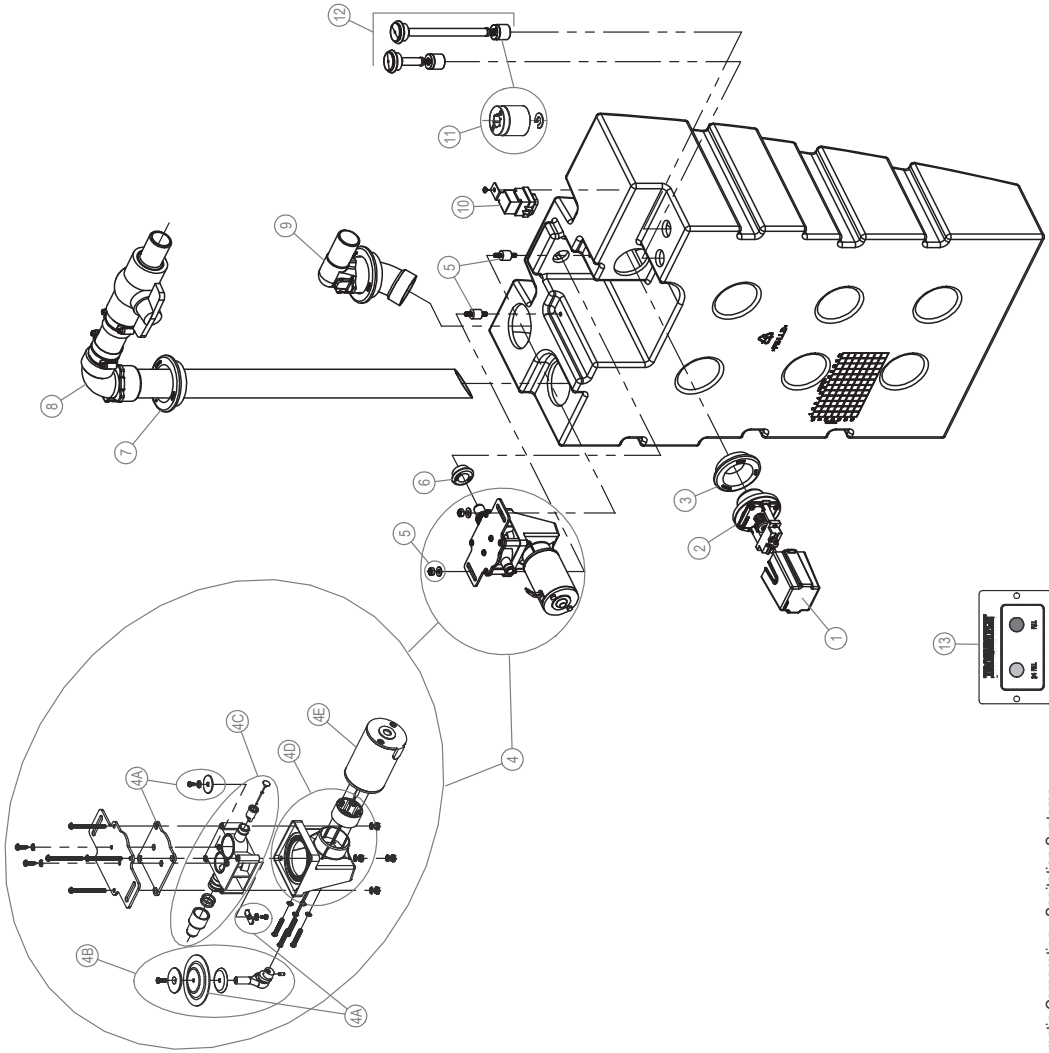
ITEM	PART NUMBER & DESCRIPTION
1	385311163 - PUMP MOUNTING HARDWARE
2	N/A - DISCHARGE PUMP **See Discharge Pump Parts List.
3	385310842 - SHUTDOWN RELAY ASSY (12vdc)
4	385311420 - VACCUUM SWITCH COVER (BLACK)
5	385311436 - VACUUM SWITCH ASSEMBLY **Includes Item 4.
6	385311111 - 1-1/2" SEALING GROMMET
7	385311164 - 1/2" SEALING GROMMET
8	385311450 - AIR PUMP w/MOTOR (COMPLETE)
8A	385311040 - AIR PUMP VALVE REPLACEMENT KIT
8B	385311442 - ECCENTRIC KIT
8C	385311440 - AIR PUMP BODY REPLACEMENT KIT **Includes Item 6A.
8D	385311438 - MOTOR MOUNTING ASSEMBLY **Includes Items 4B & 4E.
8E	385311439 - MOTOR REPLACEMENT KIT
9	385312125 - AIR PUMP CHECK VALVE **Includes hose clamps.
10	385310635 - 1-1/2" INLET ELBOW FITTING **Includes Item 4.
11	385311315 - 1-1/2" PUMP OUTLET FITTING
12	385310076 - 1-1/2" CHECK VALVE KIT **2pcs per Kit.
13	385311316 - 1-1/2" CHECK VALVE ADAPTER FITTING
14	385311455 - VHT4511 DISCHARGE ELBOW **Includes Item 14.
15	385311233 - 1-1/2" SLIP SEAL REPLACEMENT
16	385311444 - VHT4511 DISCHARGE ASSY FITTING **Includes Item 16.
17	385311110 - 2" SEALING GROMMET
18	385312061 - TANK LEVELS - 3-QTR/FULL SLIP TERMINAL **Includes Item 5.
19	385311103 - TANK LEVEL FLOAT & LOCK RING
20	385311437 - TANK MOUNTING BRACKET **1 per Kit; includes Mounting Hardware.
21	385311443 - 3-QTR/FULL TANK LEVEL PANEL & HARNESS



Dometic Corporation - Sanitation Systems
13128 State Rt. 226, P.O. Box 38
Big Prairie, OH 44611-0038 USA
Telephone: 330-439-5550
Fax: 330-496-3097
Email: sealand@dometicusa.com

P/N: 600346600
REV.: 03-12/14

PARTS LIST: VHT 5200 - 317705200

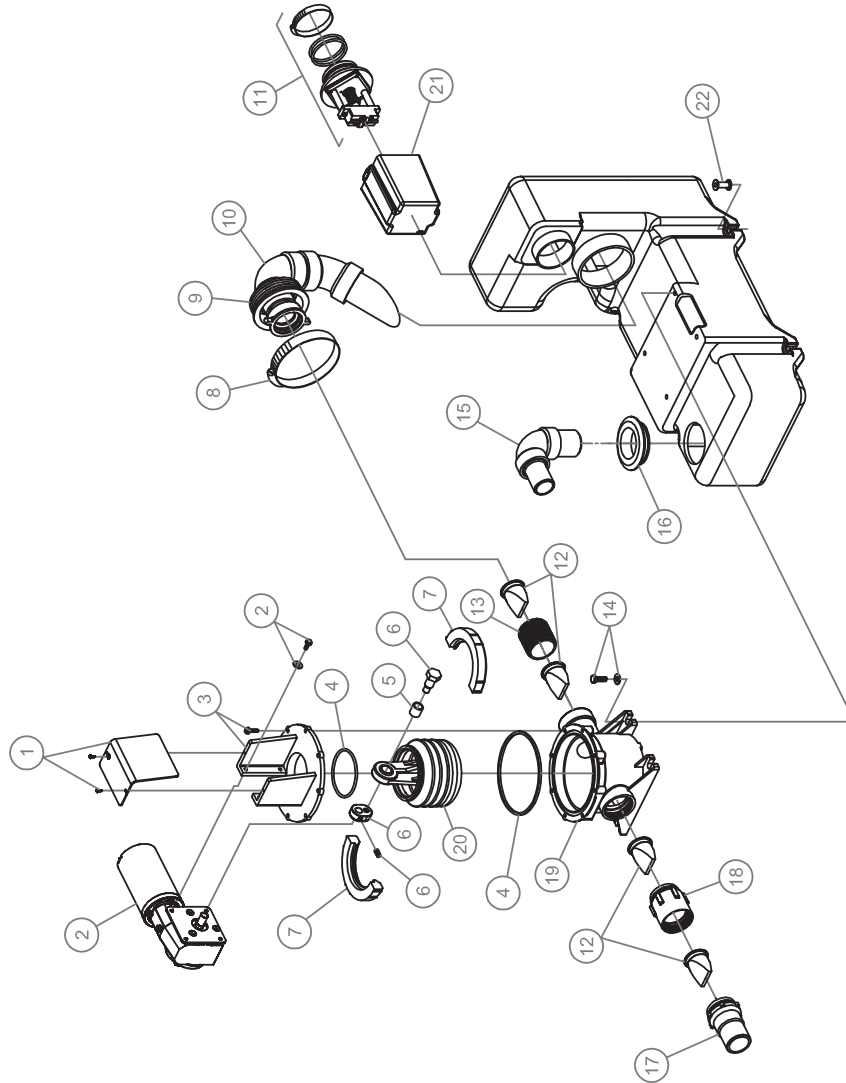


ITEM	PART NUMBER & DESCRIPTION
1	385311420 - VACUUM SWITCH COVER (BLACK)
2	385311436 - VACUUM SWITCH ASSEMBLY **Includes Item #3.
3	385311111 - 1-1/2" SEALING GROMMET
4	385311450 - KIT, AIRPUMP w/MOTOR (COMPLETE)
4A	385311040 - VALVE REPLACEMENT KIT
4B	385311442 - ECCENTRIC KIT
4C	385311440 - AIRPUMP BODY REPLACEMENT **Includes Item #4C.
4D	385311438 - MOTOR MOUNTING ASSEMBLY **Includes Item #4E & #4B.
4E	385311439 - MOTOR REPLACEMENT KIT
5	385311795 - AIRPUMP MOUNTING HARDWARE
6	385311164 - 1/2" SEALING GROMMET
7	385311110 - 2" SEALING GROMMET
8	385311793 - DISCHARGE ASSEMBLY FITTING KIT **Includes Item #7.
9	385311794 - VHT 5200 INLET FITTING **Includes Item #7.
10	385310842 - SHUTDOWN RELAY ASSEMBLY (12VDC)
11	385311103 - TANK LEVEL FLOAT & LOCK RING
12	385311832 - TANK LEVEL KIT VHT5200 w/DT CONNECTOR **Includes Item #6.
13	385311833 - KIT, 3/4 FULL PANEL w/DT CONNECTOR
NOT SHOWN	385311834 - VHT5200 TANK LEVEL HARNESS w/DT

Dometic Corporation - Sanitation Systems
13128 State Rt. 226 P.O. Box 38
Big Prairie, OH 44611-0038 USA
Telephone: 330-439-5550
Fax: 330-496-3097
Email: sealand@dometicusa.com

PARTS LIST: VACUUM GENERATOR II 12 & 24vdc SERIES

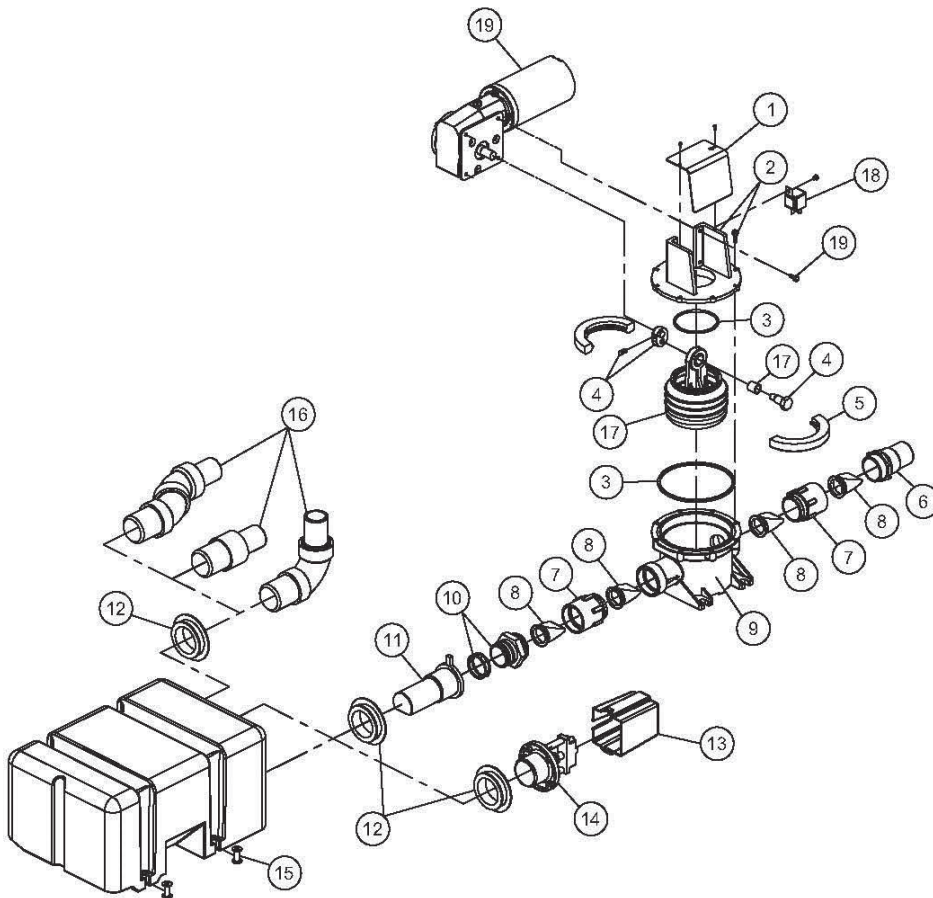
ITEM	PART NUMBER & DESCRIPTION
1	385311323 - MOTOR COVER KIT **Includes Mounting Screws
2	385311065 - 12vdc REPLACEMENT MOTOR 385311066 - 12vdc REPLACEMENT MOTOR **Includes Item 6.
3	385311324 - PUMP TOP CLOSURE KIT **Includes Mounting Screws
4	385310151 - PUMP REPLACEMENT O'RING KIT
5	385310242 - PUMP ECCENTRIC BUSHING KIT
6	385310644 - PUMP ECCENTRIC KIT **Includes Item 5.
7	385311226 - Pump Bellows Clamp Kit
8	385311846 - HOSE CLAMP - 3-3/4" D.I.A.
9	385311837 - O'RING, 3.000" X 3.250" X .125 **Bulk Kit: 10 per package.
10	385310539 - VGI DISCHARGE FITTING **Includes Item 9.
11	385310540 - VGI VACUUM SWITCH KIT **Includes O'rings & 2" Mounting Clamp.
12	385310076 - 1-1/2" CHECK VALVE KIT **2pcs per Package.
13	385311272 - 1-1/2" CLOSE NIPPLE FITTING
14	385311163 - PUMP MOUNTING HARDWARE
15	385310635 - 1-1/2" INLET ELBOW FITTING **Includes Item 16.
16	385311111 - 1-1/2" SEALING GROMMET
17	385311315 - 1-1/2" PUMP OUTLET FITTING
18	385311316 - 1-1/2" CHECK VALVE ADAPTER FITTING
19	385311844 - PUMP BODY REPLACEMENT
20	385230980 - BELLOWAS ASSEMBLY REPLACEMENT KIT **Includes Item 5 & 6..
21	385311215 - VACUUM SWITCH COVER (WHITE)
22	385311318 - TANK MOUNTING SPINDLE KIT **4pcs per Package.
Not Shown	385310774 - COMPLETE VGI PUMP KIT - 12VDC
Shown	385310775 - COMPLETE VGI PUMP KIT - 24VDC



Dometic Corporation - Sanitation Systems
13128 State Rt. 226, P.O. Box 38
Big Prairie, OH 44611-0038 USA
Telephone: 330-439-5550
Fax: 330-496-3097
E-mail: sealand@dometicusa.com

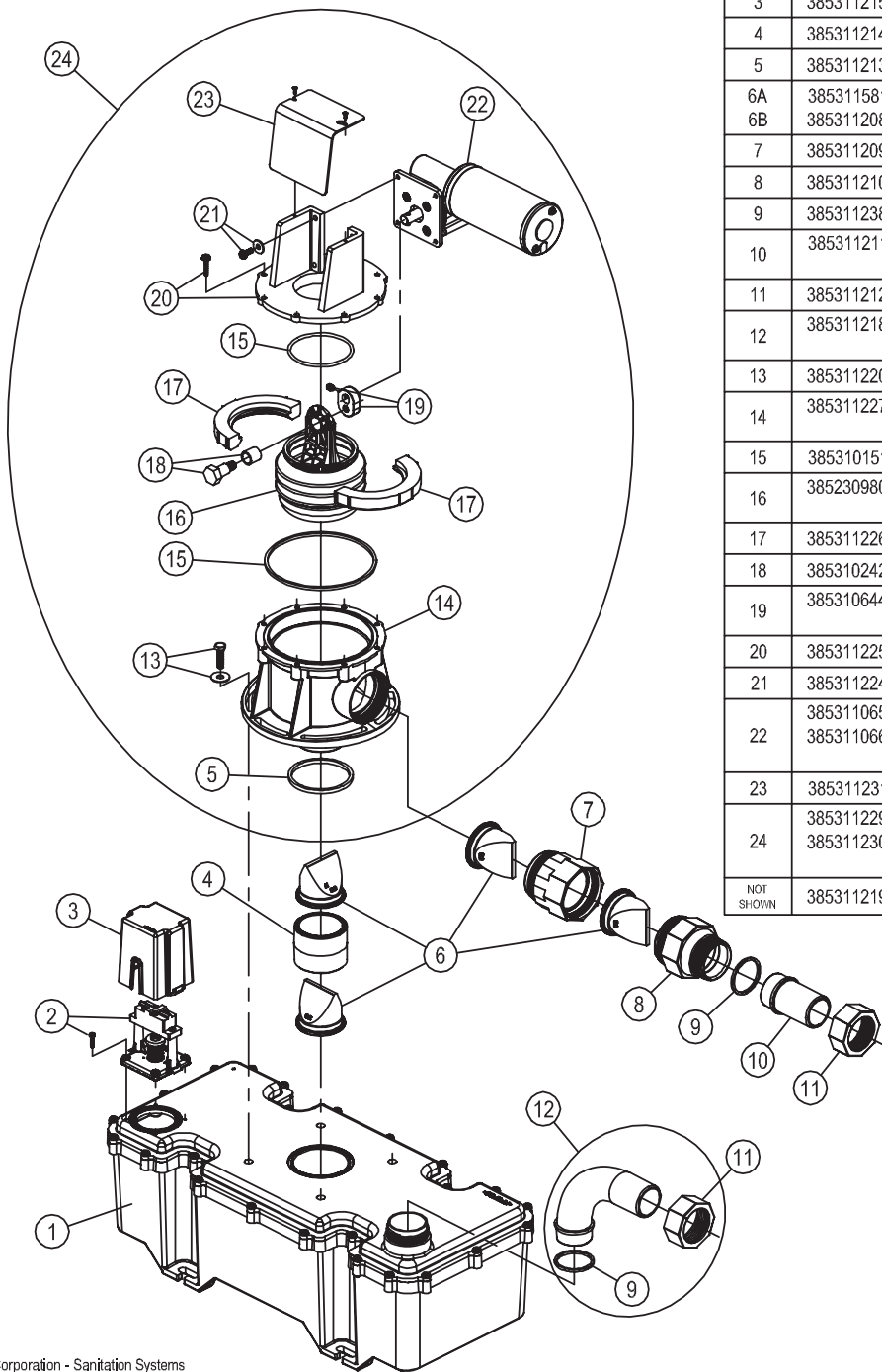
PARTS LIST: VACUUM GENERATOR LOW PROFILE 12VDC & 24VDC

ITEM	PART NO.	DESCRIPTION	ITEM	PART NO.	DESCRIPTION
1	385311323	COVER, PUMP	13	385311215	VACUUM SWITCH COVER LOW PROFILE VG
2	385311324	KIT, PUMP TOP CLOSE W/SCREWS	14	385311436	KIT, VACUUM SWITCH (inc. item 12)
3	385310151	O'RING REPLACEMENT KIT	15	385311318	KIT, TANK MTG SPINDLE
4	385310644	KIT, ECCENTRIC/SCREW-S/T PUMP	16	385310635	INLET ELBOW ASSEMBLY
5	385311226	CLAMP, BELLOWS S/T PUMP		385310690	STRAIGHT INLET (optional)
6	385311315	KIT, NIPPLE-RH THREADS		385310787	45° INLET ELBOW (optional)
7	385311316	KIT, VALVE ADAPTER-RH THREADS	17	385230980	BELLOWS KIT (includes item 7)
8	385310076	KIT VALVE, CHECK DUCKBILL-S/T PUMP (2 EA)	18	600343053	RELAY, SPDT 12VDC ⁴⁰ / ₆₀ AMP VF4 (optional)
9	600341504	BODY,S-PUMP		600344239	RELAY, SPDT 24VDC ⁴⁰ / ₆₀ AMP VF4 (optional)
10	385311317	KIT, PUMP ADAPT TO DIPTUBE FIT	19	385311065	12VDC W MOTOR
11	385310754	KIT, DIP TUBE LOW PROFILE VG (INC. ITEM 12)		385311066	24VDC W MOTOR
12	385311111	1½" SEALING GROMMET	20	385310249	KIT, S PUMP W/O MOTOR
			N/S	385311100	KIT, LPVG SW-PUMP ASSY 24VDC
			N/S	385311595	KIT, LPVG-W-PUMP ASSY 12VDC



Dometic Corporation - Sanitation Systems
13128 State Rt. 226, P.O. Box 38
Big Prairie, OH 44611-0038 USA
Telephone: 330-496-3211
Fax: 330-496-3097
Email: sealand@dometicusa.com

PARTS LIST: VACUUM GENERATOR 4

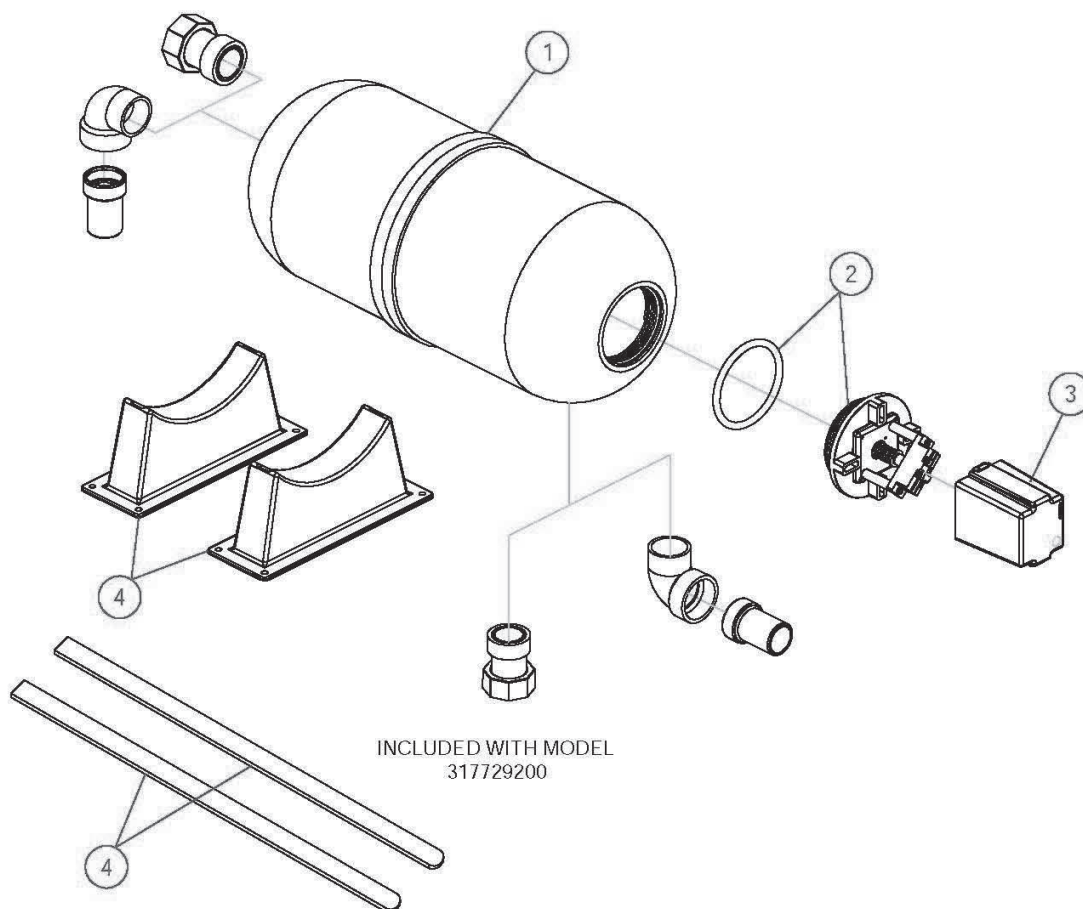


ITEM	PART NUMBER & DESCRIPTION
1	385311217 VG4 TANK ASSEMBLY KIT
2	385311216 VACUUM SWITCH ASSEMBLY **INCLUDES ITEM 3.
3	385311215 VACUUM SWITCH COVER
4	385311214 VG4 DISCHARGE VALVE SPACER
5	385311213 PUMP TO TANK SEAL
6A	385311581 2" CHECK VALVE REPLACEMENT (4 PER KIT)
6B	385311208 2" CHECK VALVE REPLACEMENT (2 PER KIT)
7	385311209 2" CHECK VALVE ADAPTER
8	385311210 TRANSITION FITTING 2" TO 1-1/2"
9	385311238 FITTING SEAL
10	385311211 1-1/2" VG4 STRAIGHT HOSE FITTING **INCLUDES ITEMS 9 & 11.
11	385311212 1-1/2" SWIVEL NUT
12	385311218 1-1/2" VG4 90° ELBOW HOSE FITTING **INCLUDES ITEMS 9 & 11.
13	385311220 PUMP MOUNTING HARDWARE
14	385311227 PUMP BODY REPLACEMENT KIT **INCLUDES ITEM 5.
15	385310151 PUMP O-RING REPLACEMENT KIT
16	385230980 PUMP BELLOWS ASSEMBLY KIT **INCLUDES ITEM 18
17	385311226 PUMP BELLOWS CLAMP KIT
18	385310242 PUMP BELLOWS BUSHING/BOLT KIT
19	385310644 PUMP ECCENTRIC KIT **INCLUDES ITEMS 18.
20	385311225 PUMP TOP CLOSURE REPLACEMENT
21	385311224 PUMP MOTOR MOUNTING HARDWARE
22	385311065 W-SERIES MOTOR REPLACEMENT-12V 385311066 W-SERIES MOTOR REPLACEMENT-24V **INCLUDES ITEMS 18 & 19.
23	385311231 PUMP COVER REPLACEMENT KIT
24	385311229 J-SERIES PUMP REPLACEMENT - 12V 385311230 J-SERIES PUMP REPLACEMENT - 24V **INCLUDES ITEM 5-8 & 13-23.
NOT SHOWN	385311219 TANK SEAL

PARTS LIST: MODEL 317729100 & 317729200

ITEM	PART NO.	DESCRIPTION
1	385310017	KIT, VACUUM TANK-REPLACEMENT
2	385318032	KIT, VACUUM TANK SWITCH
3	385311215	KIT, SNAP-ON VAC SW'CH CVR-WHT
4	385311659	KIT, VAC TK MTG BRKT (1 EACH)

INCLUDED WITH MODEL
317729200

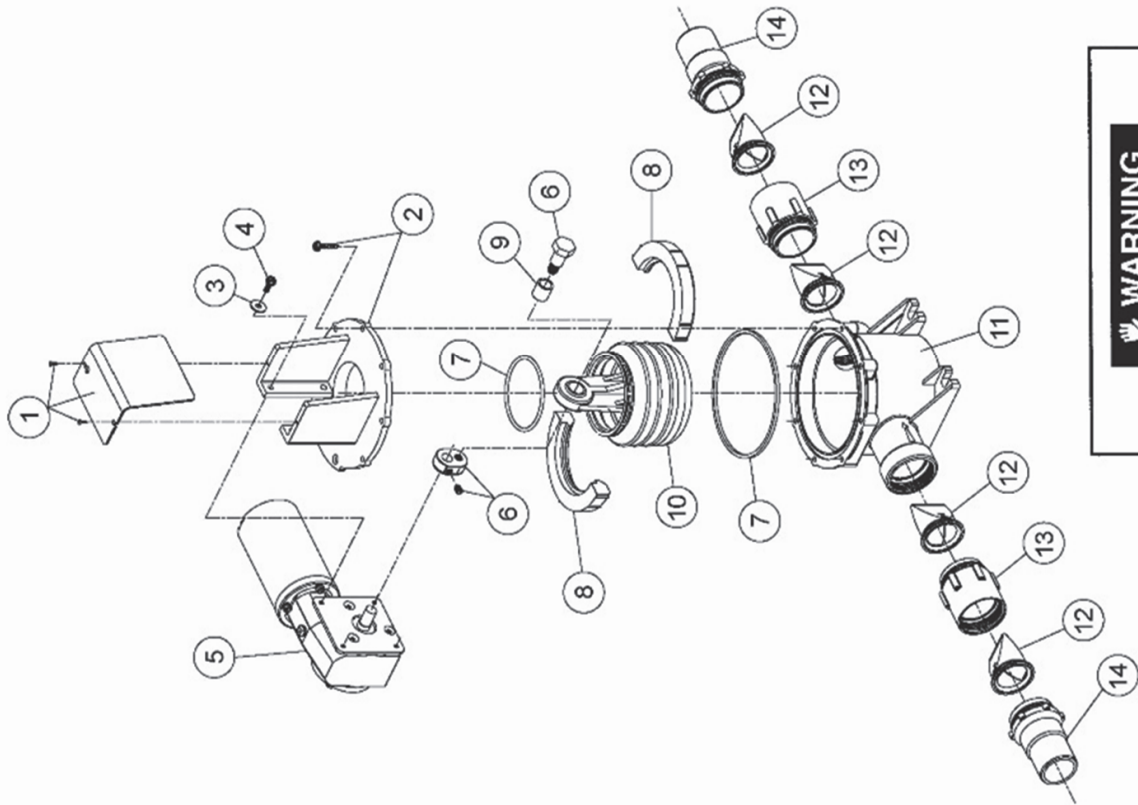


INCLUDED WITH MODEL
317729100



Dometic Corporation - Sanitation Systems
13128 State Rt. 226, P.O. Box 38
Big Prairie, OH 44611-0038 USA
Telephone: 330-496-3211
Fax: 330-496-3097
Email: sealand@dometicusa.com

S-Series Vacuum Pump



WARNING

Pump starts automatically. Turn off power before servicing.

Item

1
2
3-4
5
6
7
8
9
10
11
12
13
14

Part No.

385640239
385311324
385311224
385311065
385311066
385310644
385310151
385311226
385310242
385230980
385311844
385310076
385311316
385311315

Description

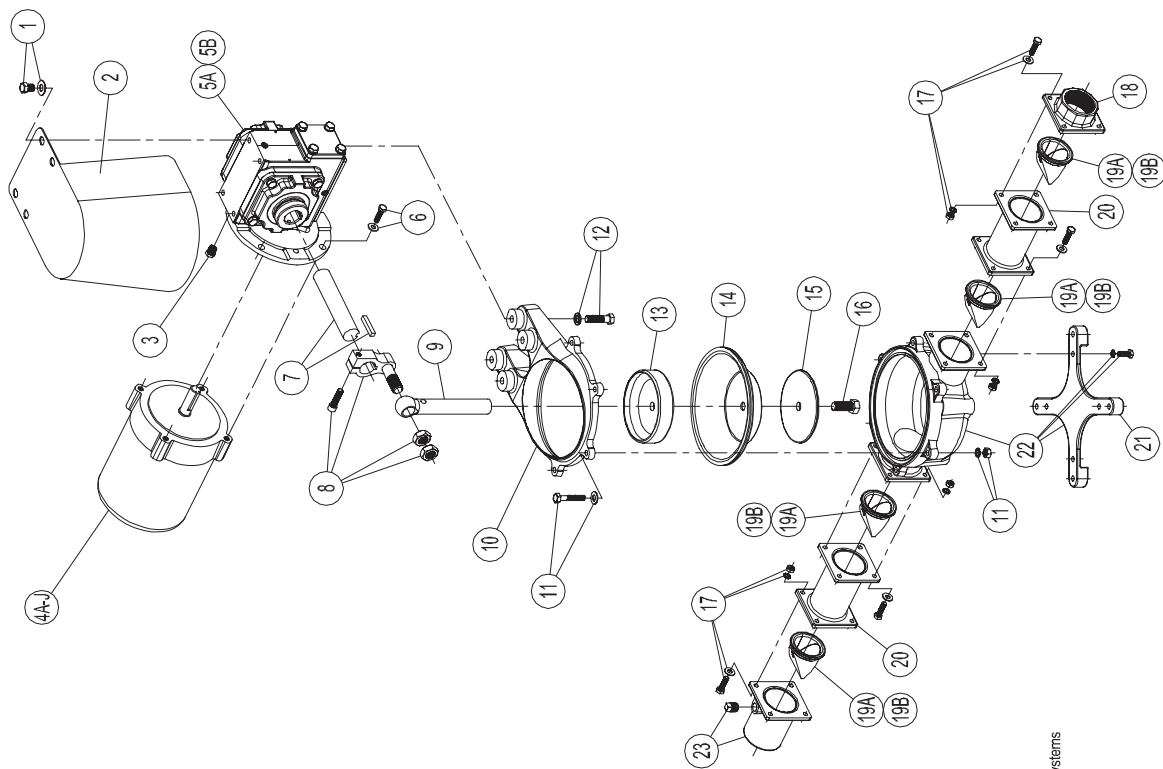
Pump Cover Kit
Pump Top Kit (with screw fasteners)
W Motor Mounting Hardware Kit
W Motor Replacement Kit, 12 VDC
W Motor Replacement Kit, 24 VDC
Eccentric Kit (with fastener screw and bolt)
O-Ring Replacement Kit
Bellows Clamp Kit
Bellows Bushing
Bellows Assembly (includes item 9)
Pump Body
1/2" Duckbill Valve Kit (2)
Valve Adapter
Valve Nipple

Note: When reassembling pump, tighten screws (included in item 2) to 20±2lbs., or until snug. Over-tightening will cause holes to strip.

P/N: 600346575
REV.: 05/11

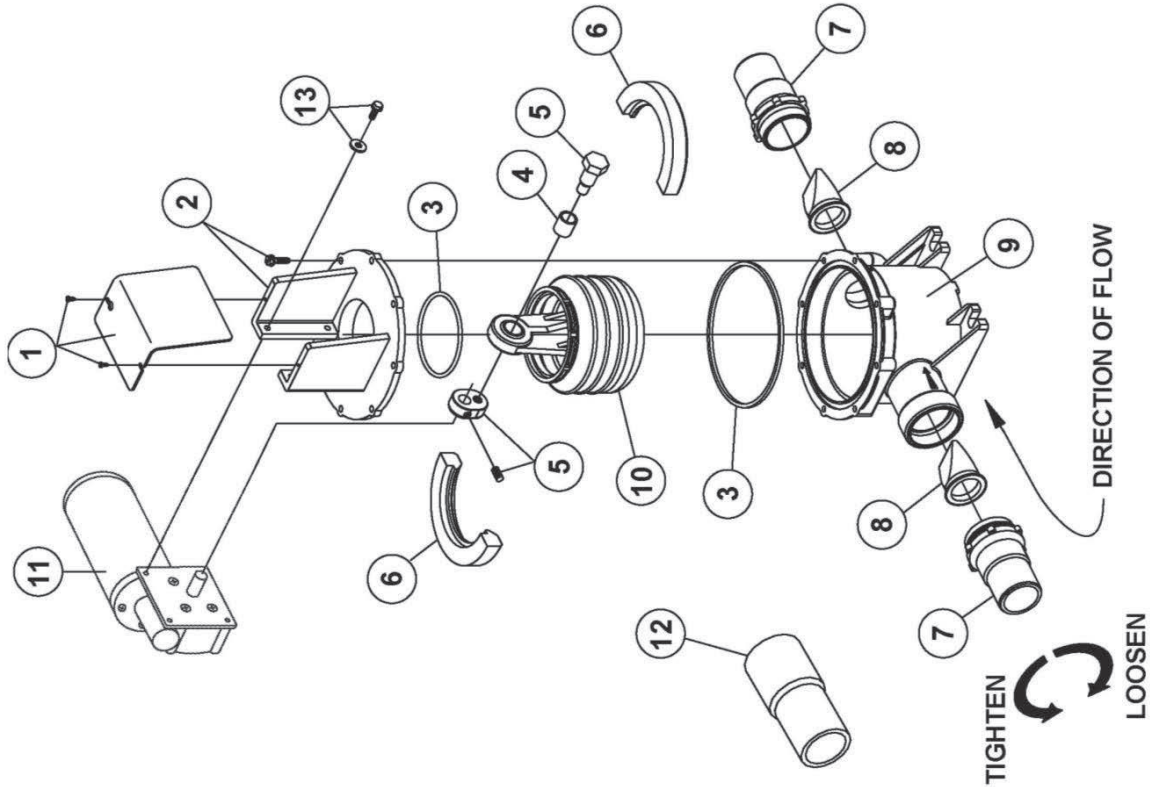
PARTS LIST: M-PUMP MODELS

ITEM	PART NUMBER & DESCRIPTION
1	385311799 COVER MOUNTING HARDWARE
2	385311800 COVER **INCLUDES ITEM 1.
3	385311801 VENT
4A	385311802 MOTOR, 1/2 HP 115 VOLT 60HZ TEFC
4B	385311803 MOTOR, 1/2 HP 115 VOLT 50HZ TEFC
4C	385311804 MOTOR, 1/2 HP 115 VOLT 60HZ EX-PROOF
4D	385311805 MOTOR, 1/2 HP 115 VOLT 50HZ EX-PROOF
4E	385311806 MOTOR, 1/2 HP 12VDC
4F	385311807 MOTOR, 1/2 HP 24VDC
4G	385311808 MOTOR, 3/4 HP 115 VOLT 60HZ TEFC
4H	385311809 MOTOR, 3/4 HP 115 VOLT 50HZ TEFC
4I	385311810 MOTOR, 3/4 HP 115 VOLT 60HZ EX-PROOF
4J	385311811 MOTOR, 3/4 HP 115 VOLT 50HZ EX-PROOF
5A	385311812 GEAR REDUCER 20:1
5B	385311813 GEAR REDUCER 30:1
6	385311814 MOTOR MOUNTING HARDWARE
7	385311815 OUTPUT SHAFT & KEY
8	385311816 ECCENTRIC
9	385311817 CONNECTING ROD
10	385311818 TOP-CLOSURE
11	385311819 TOP-CLOSURE MOUNTING HARDWARE
12	385311820 GEAR REDUCER MOUNTING HARDWARE
13	385311821 UPPER DIAPHRAGM PLATE
14	385311822 DIAPHRAGM
15	385311823 LOWER DIAPHRAGM PLATE
16	385311824 CONNECTOR ROD SCREW
17	385311825 VALVE HOUSING MOUNTING HARDWARE
18	385311826 INLET FLANGE 1-1/2" FEMALE NPT
19A	385311581 CHECK VALVE - BLACK (4)
19B	385311582 CHECK VALVE - RED (4)
20	385311827 VALVE HOUSING
21	385311828 MOUNTING PLATE & HARDWARE
22	385311829 PUMP BODY & MOUNTING PLATE **INCLUDES ITEM HARDWARE.
23	385311830 OUTLET FLANGE 1-1/2" FEMALE NPT & PLUG



Dometic Corporation - Sanitation Systems
13128 Slate Rt. 226, P.O. Box 38
Big Prairie, OH 44611-0038 USA
Telephone: 330-496-3211
Fax: 330-496-3097
Email: sealant@dometicusa.com

TW-Series Discharge Pump

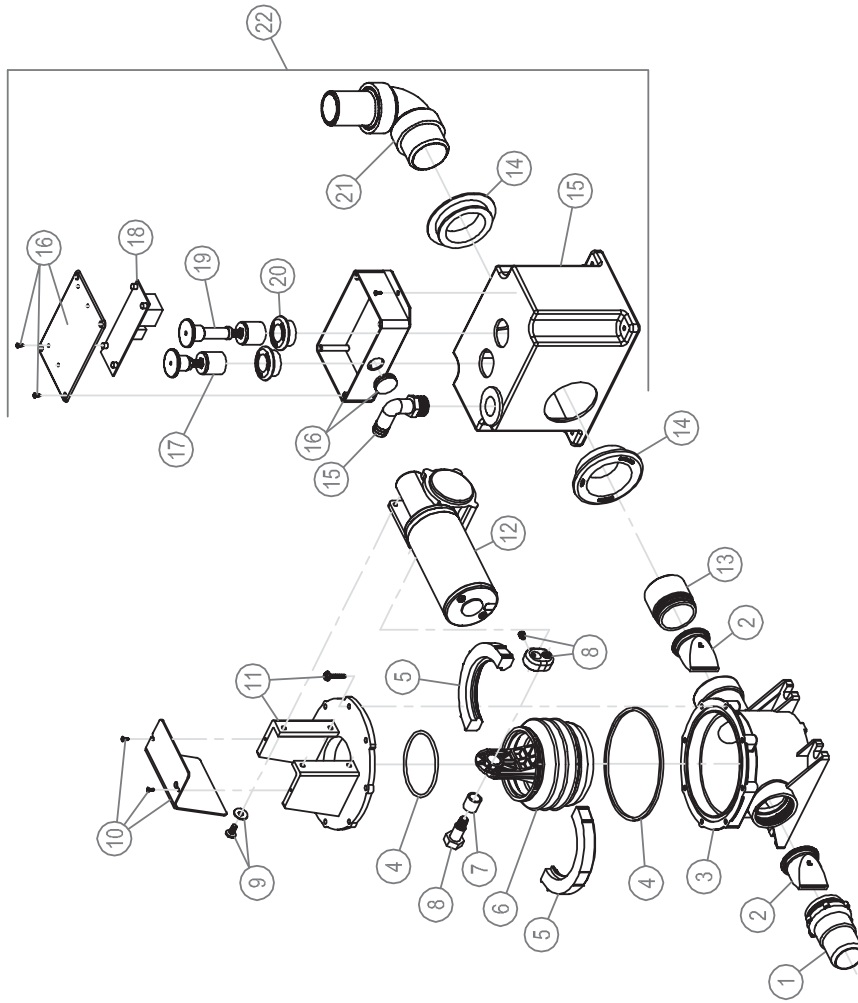


Item	Part No.	Description
1	385311422	Pump Cover Kit
2	385311225	Pump Top Closure Kit
3	385310151	O-Ring Replacement Kit
4	385310242	Bellows Bushing
5	385310644	Eccentric Kit
6	385311226	Bellows Clamp Kit
7	385311843	Valve Nipple
8	385310076	1.5" Duckbill Valve
9	385311858	Pump Body
10	385230980	Bellows Assembly (includes item 4)
11	385311065	12 VDC Motor (includes item 5)
12	385311066	24 VDC Motor (includes item 5)
13	307341113	1" x 1.5" Reducing Adapter (optional)
	385311224	Mounting Hardware Kit
		Not Shown
	385310250	Pump Assembly Less Motor (includes items 1-9)

P/N: 600340678
 REV: 2/17

P/N: 600343929
REV.: 02/11

PARTS LIST: SANISUMP



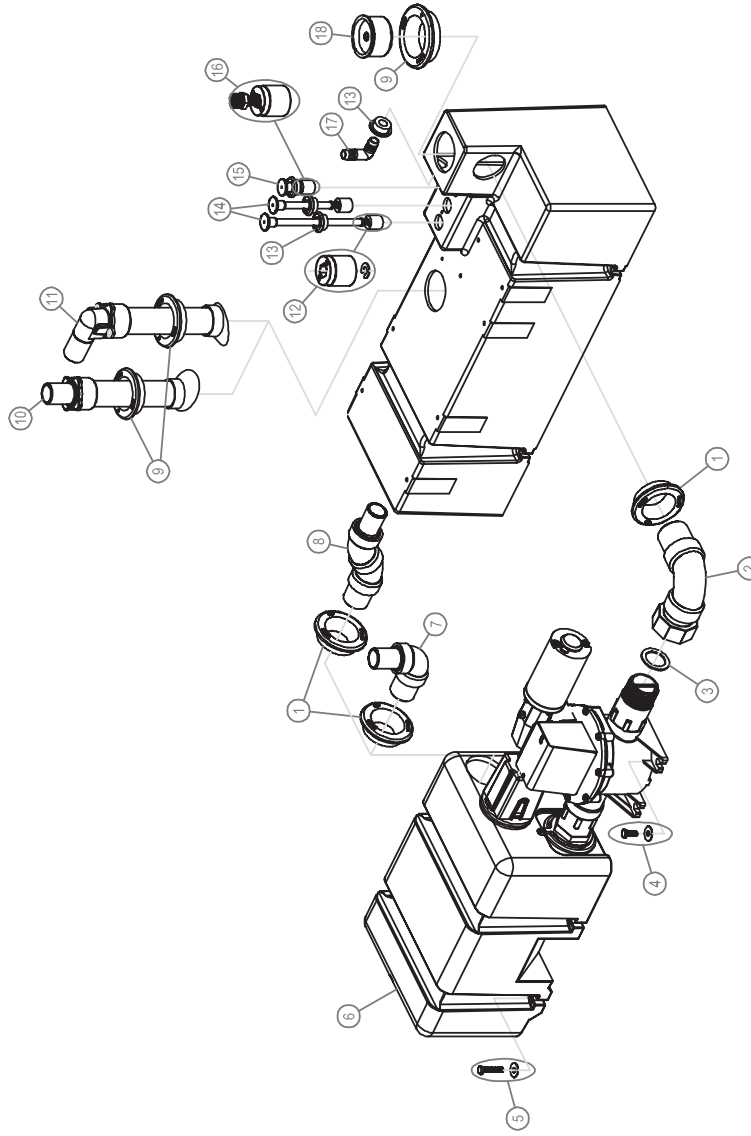
ITEM	PART NUMBER & DESCRIPTION
1	385311843 VALVE NIPPLE
2	385310076 1-1/2" DUCKBILL VALVE
3	385311858 PUMP BODY
4	385310151 O'RING REPLACEMENT KIT
5	385311226 BELLOWS CLAMP KIT
6	385230980 BELLOWS ASSEMBLY **INCLUDES ITEM 7.
7	385310242 BELLOWS BUSHING
8	385310644 ECCENTRIC KIT
9	385311224 MOTOR MOUNTING HARDWARE
10	385311422 PUMP COVER KIT
11	385311225 PUMP TOP CLOSURE KIT
12	385310756 12VDC MOTOR
13	385340757 24VDC MOTOR
14	385640335 PUMP INLET FITTING
15	385311111 1-1/2" SEALING GROMMET
16	385310563 SANISUMP TANK MACHINED
17	385310650 SANISUMP ELECTRICAL ENCLOSURE
18	313900101 TANK FULL LEVEL **INCLUDES ITEM 20
19	385310659 CIRCUITBOARD ASSEMBLY 12VDC
20	385310721 CIRCUITBOARD ASSEMBLY 24VDC
21	385310582 EMPTY TANK LEVEL **INCLUDES ITEM 20.
22	385311164 1/2" SEALING GROMMET
21	385311101 INLET ELBOW KIT **INCLUDES ITEM 14.
22	385310584 SANISUMP ASSY LESS PUMP 12VDC
22	385310649 SANISUMP ASSY LESS PUMP 24VDC

Domestic Corporation - Sanitation Systems
13128 State Rt. 226, P.O. Box 38
Big Prairie, OH 44611-0038 USA
Telephone: 330-496-3211
Fax: 330-496-3097
E-mail: sealand@domesticusa.com

P/N: 600345296
REV.: 06/11

PARTS LIST: 10+ HOLDING TANK SYSTEM / 322711012; 319009001; 320101003; 322101012; 322101024

ITEM	PART NUMBER & DESCRIPTION
1	38531111 1-1/2" SEALING GROMMET
2	385310772 VG HOLDING TANK INLET FITTING **INCLUDES ITEM 1 & 3.
3	385311233 1-1/2" SLIP SEAL REPLACEMENT
4	385311163 PUMP MOUNTING HARDWARE
5	385311162 VG MOUNTING HARDWARE
6	N/A LOW-PROFILE VACUUM GENERATOR **SEE LPVG PARTS LIST.
7	385310708 INLET ELBOW FITTING **INCLUDES ITEM 1
8	385310787 OFFSET INLET FITTING **INCLUDES ITEM 1.
9	385311110 2" SEALING GROMMET
10	385311584 STRAIGHT DIPTUBE ASSEMBLY **INCLUDES ITEM 9.
11	385311573 90° ELBOW DIPTUBE ASSEMBLY **INCLUDES ITEM 9.
12	385311103 TANK LEVEL FLOAT & LOCK RING
13	385311164 1/2" SEALING GROMMET
14	385311253 TANK LEVEL ADJUSTABLE - 12" **INCLUDES ITEM 13.
15	313900101 FULL TANK LEVEL **INCLUDES ITEM 13.
16	385230268 THREADED STEM/FLOAT REPLACEMENT
17	385311770 VENT ELBOW FITTING **INCLUDES ITEM 13.
18	313255247 TANKSAVER **INCLUDES ITEM 9.
19	385017001 DTM04 PNL. w/RELAY & HARNESS **USED WITH MODEL 320101003 & 319009001.
	313604402 DTM04 PNL. w/RELAY - 12V (BLACK) **USED WITH MODEL 322101012.
20	313814101 DTD01 PNL. MANUAL 12V - BLK

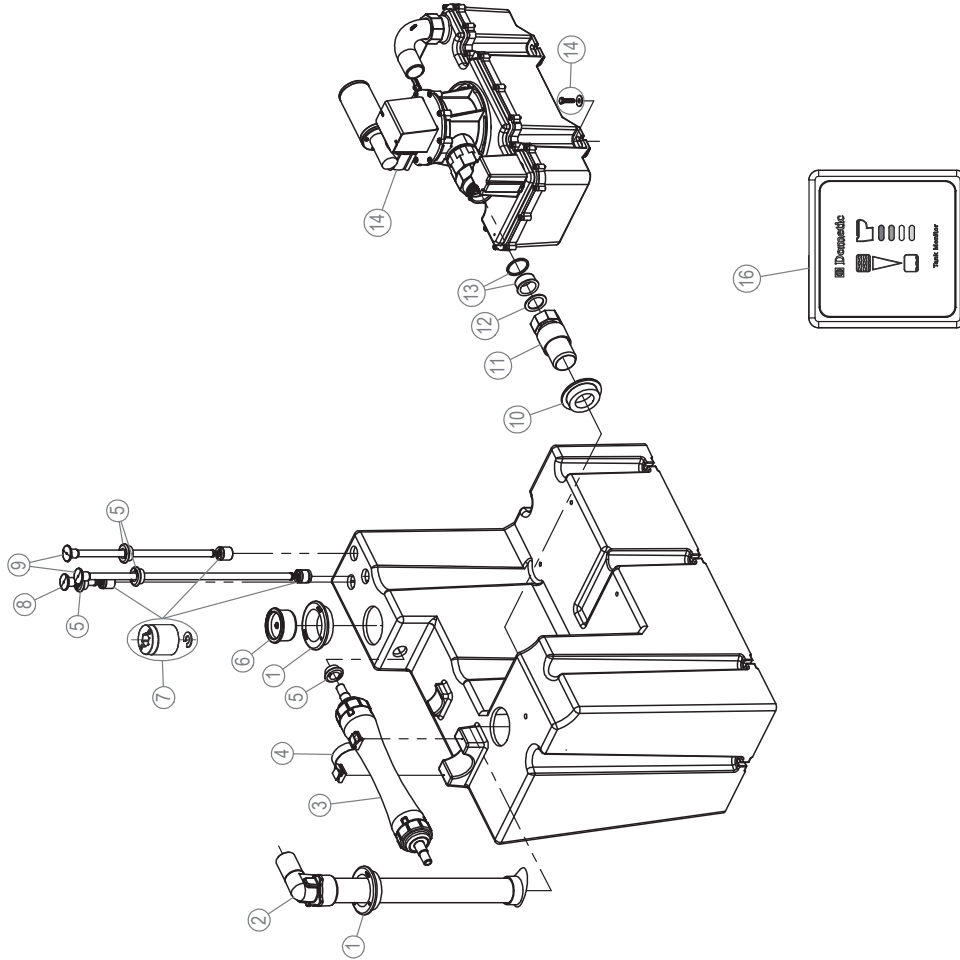


Dometic Corporation - Sanitation Systems
13128 State Rt. 226, P.O. Box 38
Blg. Prairie, OH 44611-0038 USA
Telephone: 330-496-3211
Fax: 330-496-3097
E-mail: sealand@dometicusa.com

P/N: 600346664
REV.: 02-07/15

PARTS LIST: 18 GALLON HOLDING TANK SYSTEM - 322711812; 3220011824

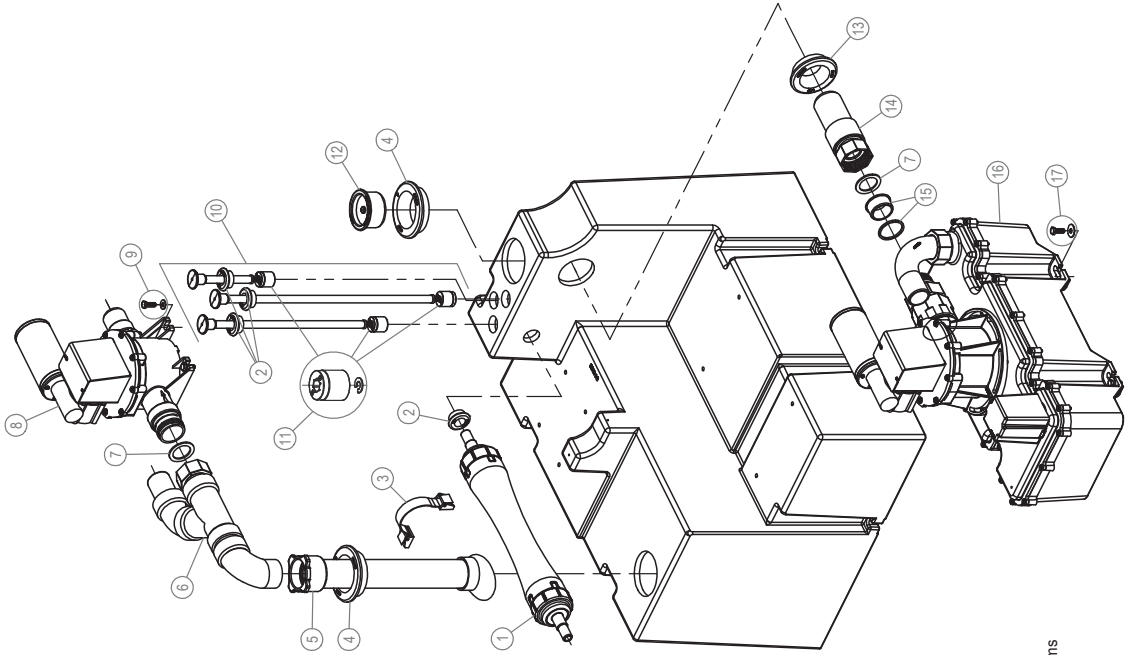
ITEM	PART NUMBER & DESCRIPTION
1	385311110 - 2" SEALING GROMMET
2	385311573 - DIPTUBE ASSY w/90° ELBOW **Includes Item 1.
3	309311002 - VENT FILTER REPLACEMENT CARTRIDGE **Order Kit 385312060 for Replacement Fittings.B7
4	385310673 - VENT FILTER MOUNTING KIT
5	385311164 - 1/2" SEALING GROMMET
6	31325247 - TANKSAVER **Includes Item 1.
7	385311103 - TANK LEVEL FLOAT & LOCK RING
8	385311253 - ADJUSTABLE TANK LEVEL 12" **Includes Item 5.
9	385311254 - TANK LEVEL ADJUSTABLE 24" **Includes Item 5.
10	385311111 - 1-1/2" SEALING GROMMET
11	385312035 - VG4 HOLDING TANK INLET FITTING **Includes Item 9 & 11.
12	385311233 - 1-1/2" SLIP SEAL REPLACEMENT
13	385311237 - SLIP SEAL ADAPTER FITTING
14	N/A - VACUUM GENERATOR 4 **See VG4 Parts List.
15	385311275 - VG4 MOUNTING HARDWARE
16	313604402 - DTM04 w/SHUTDOWN RELAY - 12VDC 313604403 - DTM04 w/SHUTDOWN RELAY - 24VDC



Domestic Corporation - Sanitation Systems
13128 State Rt. 226, P.O. Box 38
Big Prairie, OH 44611-0038 USA
Telephone: 330-439-5550
Fax: 330-496-3097
Email: sealand@domesticusa.com

P/N: 600345121
REV.: 02-03/16

PARTS LIST: 21G HOLDING TANK SYSTEM / 322702112 & 322702124

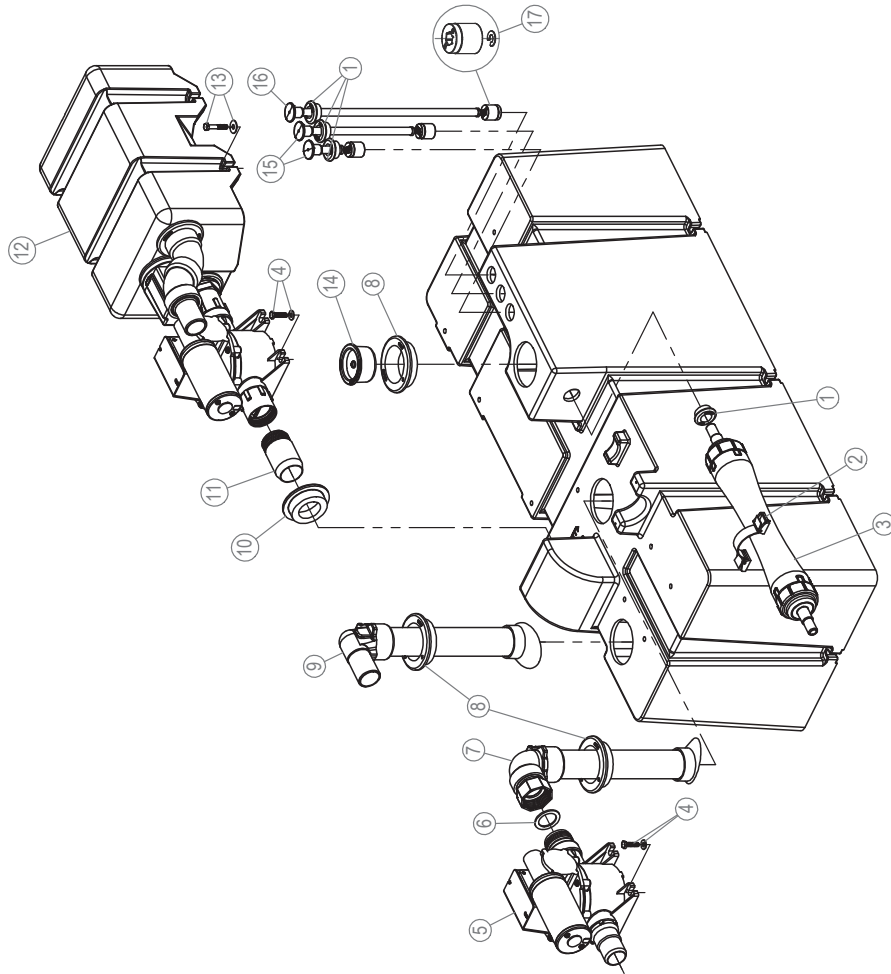


ITEM	PART NUMBER & DESCRIPTION
1	309311002 - VENT FILTER REPLACEMENT CARTRIDGE **Order Kit 385312060 for Replacement Fittings.
2	385311164 - 1/2" SEALING GROMMET
3	385310673 - VENT FILTER MOUNTING KIT
4	385311110 - 2" SEALING GROMMET
5	385311855 - DIPTUBE ASSY W/GLUE SOCKET ***Includes Item 4.
6	385311891 - OVERBOARD DISCHARGE WYE FITTING **Includes Item 7.
7	385311233 - 1-1/2" SLIP SEAL REPLACEMENT
8	N/A - DISCHARGE PUMP **See Discharge Pump Replacement Parts List.
9	385311163 - PUMP MOUNTING HARDWARE
10	385311235 - TANK LEVELS / EMPTY; MID & FULL **Includes Item 2.
11	385311103 - TANK LEVEL FLOAT & LOCK RING
12	313255247 - TANKSAVER ***Includes Item 4.
13	385311111 - 1-1/2" SEALING GROMMET
14	385311236 - VG4 HOLDING TANK INLET FITTING **Includes Items 7 & 13.
15	385311237 - SLIP SEAL ADAPTER FITTING
16	N/A - VACUUM GENERATOR 4 **See VG4 Replacement Parts List.
17	385311275 - VG4 MOUNTING HARDWARE

Dometic Corporation - Sanitation Systems
13128 State Rt. 226, P. O. Box 38
Big Prairie, OH 44611-0038 USA
Telephone: 330-439-5550
Fax: 330-496-3097
Email: sealand@dometicusa.com

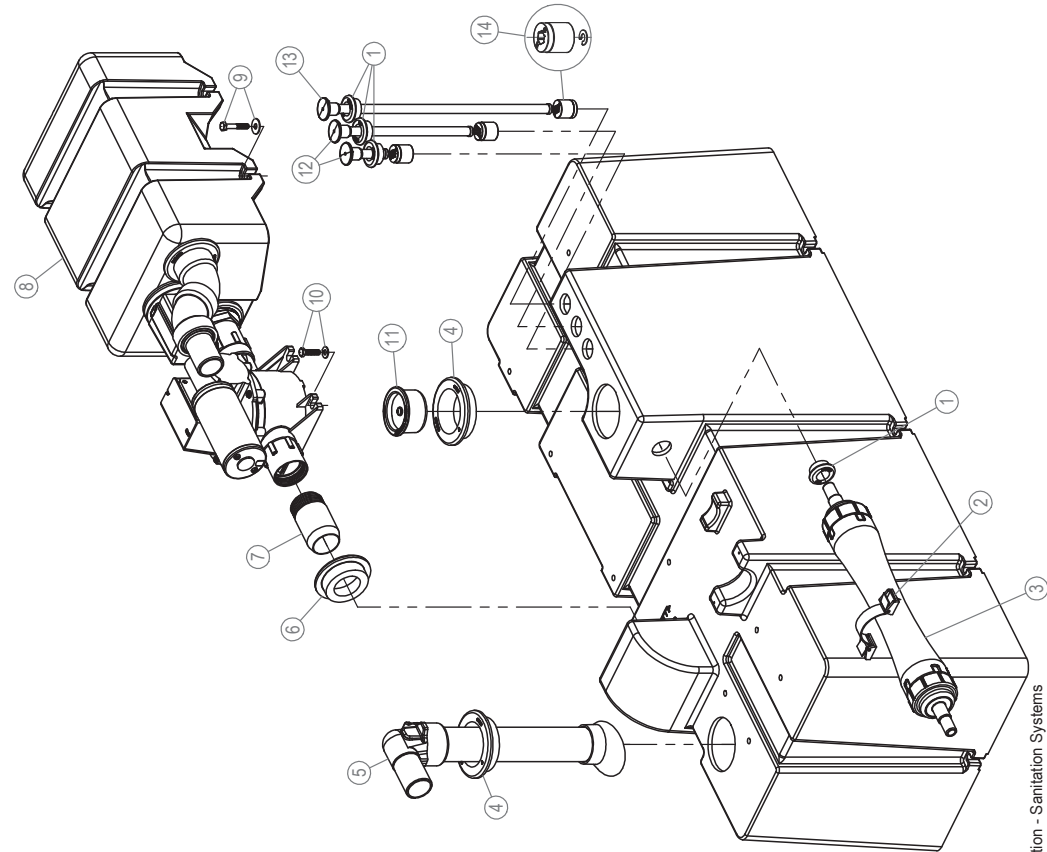
PARTS LIST: 27 GAL HOLDING TANK SYSTEM - 322722712 & 322722724

ITEM	PART NUMBER & DESCRIPTION
1	385311164 - 1/2" SEALING GROMMET
2	385310673 - VENT FILTER MOUNTING KIT
3	309311002 - VENT FILTER REPLACEMENT CARTRIDGE **Order Kit 385312060 for Replacement Fittings.
4	385311163 - PUMP MOUNTING HARDWARE
5	N/A - DISCHARGE PUMP **See Discharge Pump Parts List.
6	385311233 - 1-1/2" SLIP SEAL REPLACEMENT
7	385311575 - DIPTUBE W/90° ELBOW & SLIP NUT **Includes Item 6 & 8.
8	385311110 - 2" SEALING GROMMET
9	385311573 - DIPTUBE ASSY w/90° ELBOW **Includes Item 8.
10	385311111 - 1-1/2" SEALING GROMMET
11	385311367 - VG OUTLET EXTENSION
12	N/A - LOW-PROFILE VACUUM GENERATOR **See LPVG Parts List.
13	385311162 - VG MOUNTING HARDWARE
14	313255247 - TANKSAVER **Includes Item 8.
15	385311253 - ADJUSTABLE TANK LEVEL 12" **Includes Item 1.
16	385311254 - TANK LEVEL ADJUSTABLE 24" **Includes Item 1.
17	385311103 - TANK LEVEL FLOAT & LOCK RING



P/N: 600346298
REV.: 02-08/15

PARTS LIST: 27 GALLON HOLDING TANK SYSTEM - 322722712 & 322722724



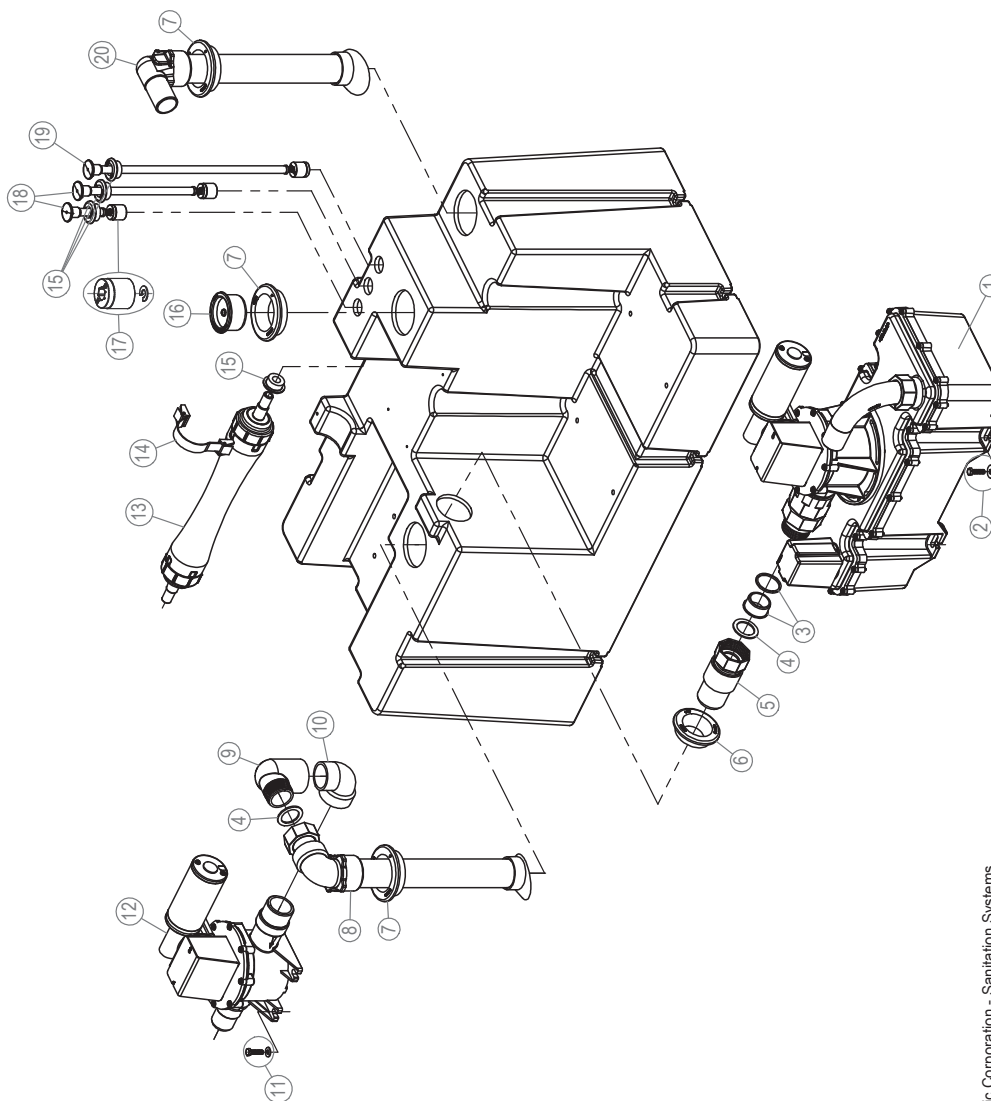
ITEM	PART NUMBER & DESCRIPTION
1	385311164 - 1/2" SEALING GROMMET
2	385310673 - VENT FILTER MOUNTING KIT
3	309311002 - VENT FILTER REPLACEMENT CARTRIDGE **Order Kit 385312060 for Replacement Fittings.
4	385311110 - 2" SEALING GROMMET
5	385311573 - DIPTUBE ASSY w/90° ELBOW **Includes Item 4.
6	385311111 - 1-1/2" SEALING GROMMET
7	385311367 - VG OUTLET EXTENSION
8	N/A - LOW-PROFILE VACUUM GENERATOR **See LPVG Parts List.
9	385311162 - VG MOUNTING HARDWARE
10	385311163 - PUMP MOUNTING HARDWARE
11	313255247 - TANKSAVER **Includes Item 4.
12	385311253 - ADJUSTABLE TANK LEVEL 12" **Includes Item 1.
13	385311254 - TANK LEVEL ADJUSTABLE 24" **Includes Item 1.
14	385311103 - TANK LEVEL FLOAT & LOCK RING

Dometic Corporation - Sanitation Systems
13128 State Rt. 226, P. O. Box 38
Big Prairie, OH 44611-0038 USA
Telephone: 330-439-5550
Fax: 330-496-3097
Email: sealand@dometicusa.com

P/N: 600345032
REV.: 04-10/15

PARTS LIST: 28+ HOLDING TANK SYSTEM- 322712812 & 322712824

ITEM	PART NUMBER & DESCRIPTION
1	N/A - VACUUM GENERATOR 4 **See VG4 Parts List.
2	385311275 - VG4 MOUNTING HARDWARE
3	385311237 - SLIP SEAL ADAPTER FITTING
4	385311233 - 1-1/2" SLIP SEAL REPLACEMENT
5	385312035 - VG4 HOLDING TANK INLET FITTING **Includes Item 4 & 6.
6	385311111 - 1-1/2" SEALING GROMMET
7	385311110 - 2" SEALING GROMMET
8	385311577 - DIPTUBE ASSY w/90° ELBOW & SLIP NUT **Includes Items 4 & 7.
9	307234496 - 1-1/2" SLIP x MALE THREADED ELBOW
10	307231161 - 90° STREET ELL
11	385311163 - PUMP MOUNTING HARDWARE
12	N/A - DISCHARGE PUMP **See Discharge Pump Parts List.
13	309311002 - VENT FILTER REPLACEMENT CARTRIDGE **Order Kit 385312060 for Replacement Fittings.
14	385310673 - VENT FIL TER MOUNTING KIT
15	385311164 - 1/2" SEALING GROMMET
16	313255247 - TANKSAVER **Includes Item 7.
17	385311103 - TANK LEVEL FLOAT & LOCK RING
18	385311253 - ADJUSTABLE TANK LEVEL 12" **Includes Item 15.
19	385311254 - TANK LEVEL ADJUSTABLE 24" **Includes Item 15.
20	385311573 - DIPTUBE ASSY w/90° ELBOW **Includes Item 7.

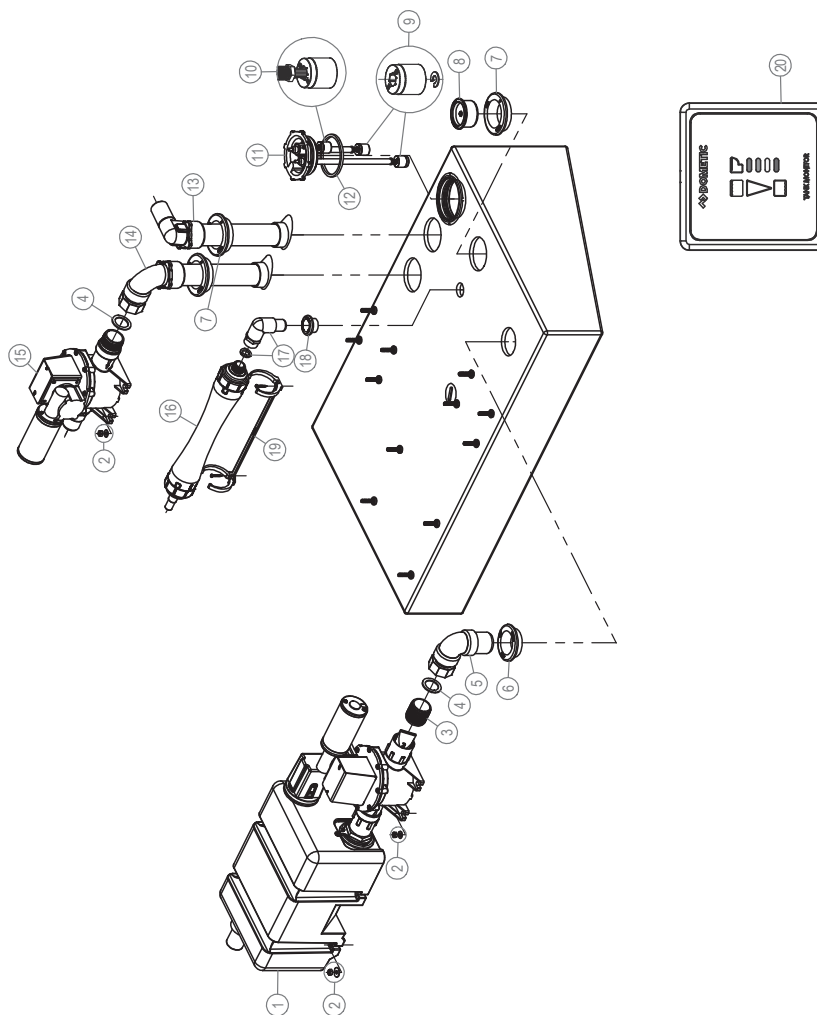


Dometic Corporation - Sanitation Systems
13128 State Rt. 226, P.O. Box 38
Big Prairie, OH 44611-0038 USA
Telephone: 330-439-5550
Fax: 330-496-3097
Email: sealand@dometicusa.com

P/N: 600345072
REV.: 002-03/18

PARTS LIST: 28G HULL HOLDING TANK SYSTEM / 322722812 & 322722824

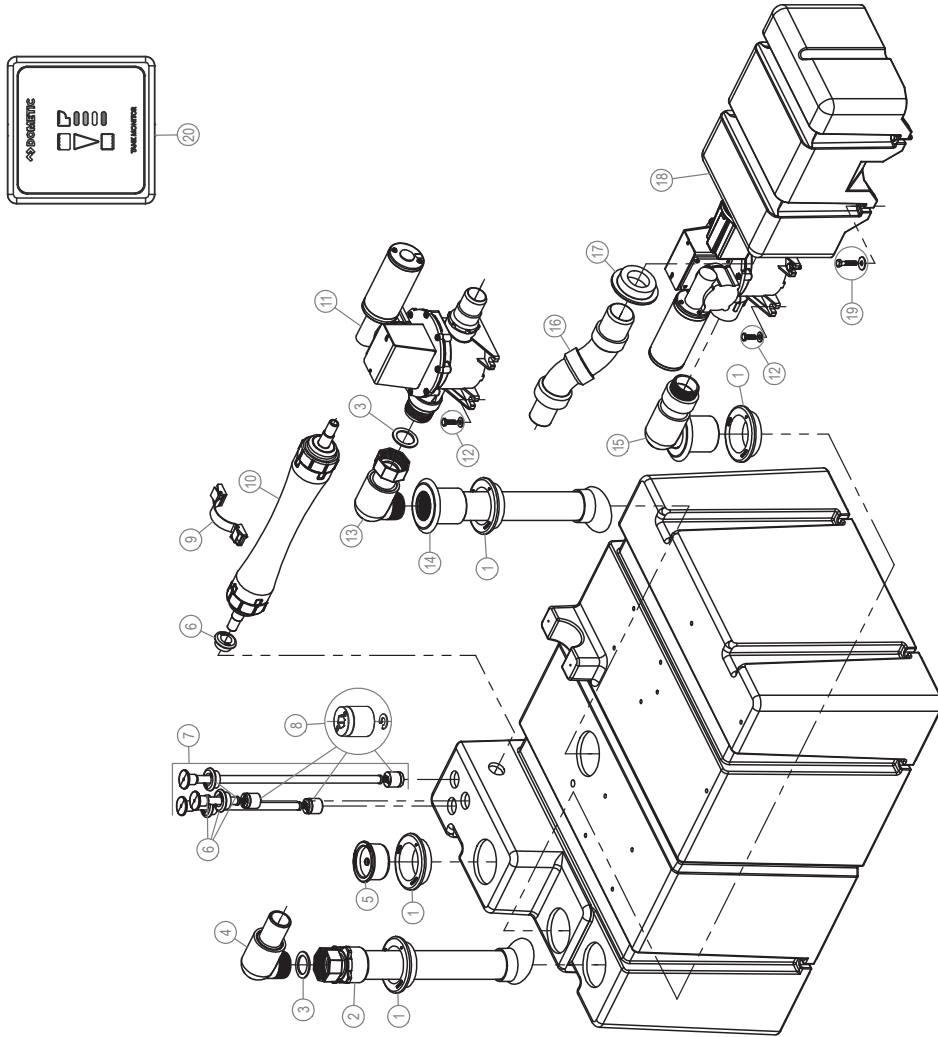
ITEM	PART NUMBER & DESCRIPTION
1	N/A - LOW-PROFILE VACUUM GENERATOR **See LPVG Parts List.
2	385310939 - PUMP/VG MOUNTING HARDWARE
3	385311272 - 1-1/2" CLOSE NIPPLE FITTING
4	385311233 - 1-1/2" SLIP SEAL REPLACEMENT
5	385311092 - 90° INLET ELBOW w/SLIP NUT **Includes Item 4 & 6.
6	385311111 - 1-1/2" SEALING GROMMET
7	385311110 - 2" SEALING GROMMET
8	313255247 - TANKSAVER **Includes Item 7.
9	385311103 - TANK LEVEL FLOAT & LOCK RING
10	385230268 - THREADED STEM/FLOAT REPLACEMENT
11	313000355 - TANKWATCH CAP without VENT **Includes Item 12.
12	385311250 - TANKWATCH CAP O'RING REPL
13	385311573 - DIPTUBE ASSY w/90° ELBOW **Includes Item 7.
14	385311596 - DIPTUBE ASSY w/90° ELBOW & SLIP NUT **Includes Items 4 & 7.
15	N/A - DISCHARGE PUMP **See Discharge Pump Parts List.
16	309311002 - VENT FILTER REPLACEMENT CARTRIDGE **Order Kit 385312060 for Replacement Fittings.
17	385311091 - 3/4" VENT FILTER ELBOW FITTING **Includes Item 18.
18	385311112 - 3/4" SEALING GROMMET
19	385311106 - VENT FILTER MOUNTING BRACKET **Includes Mounting Hardware.
20	313604402 DTM04 PNL ONLY/12VDC RLY-BLK 313604403 DTM04 PNL ONLY/24VDC RLY-BLK



Dometic Corporation - Sanitation Systems
13128 State Rt. 226, P.O. Box 38
Big Prairie, OH 44611-0038 USA
Telephone: 330-439-5550
Fax: 330-496-3097
Email: sealand@dometicusa.com

PARTS LIST: 35G HOLDING TANK SYSTEM / 322013524 & 322713512

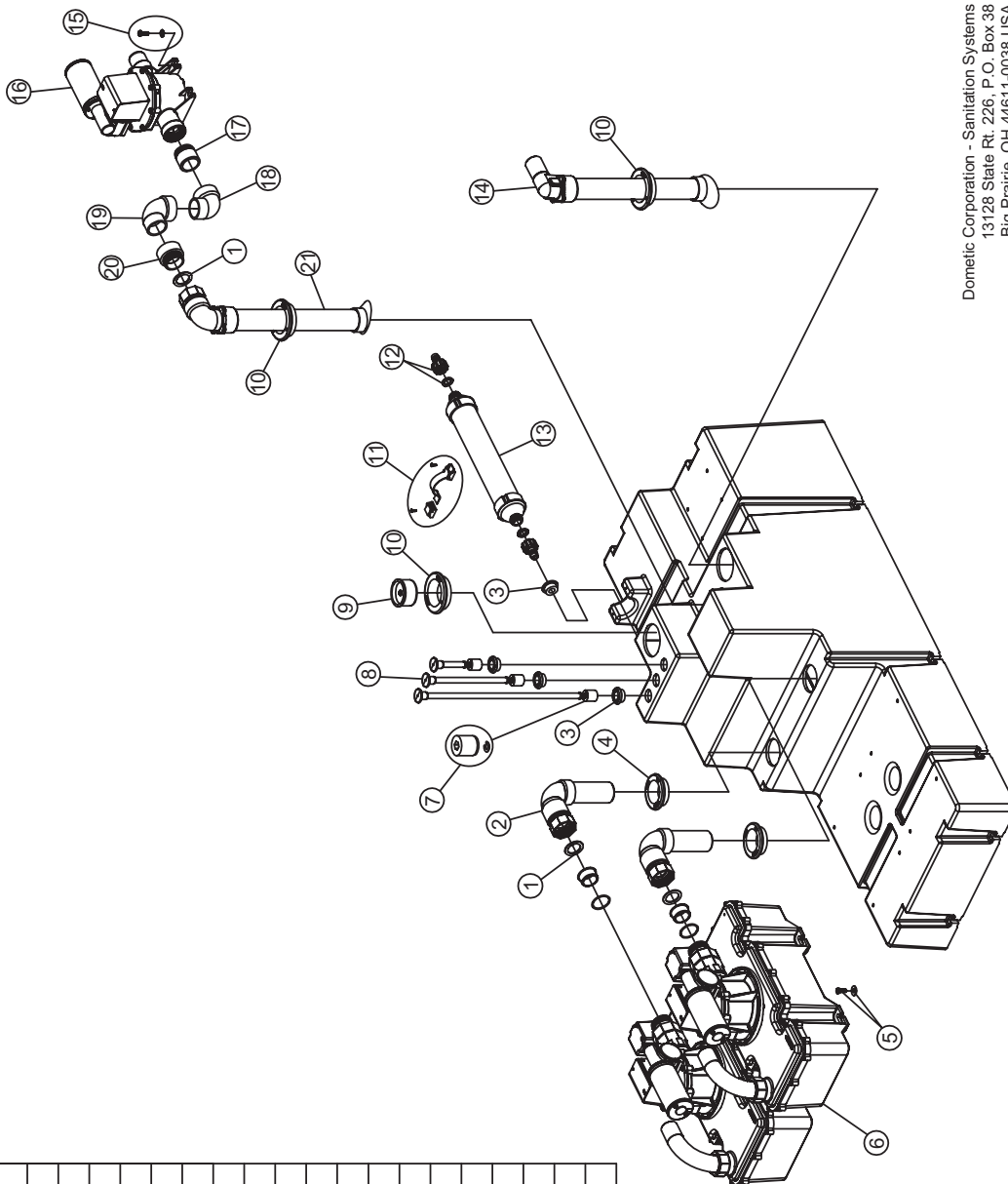
ITEM	PART NUMBER & DESCRIPTION
1	385311110 - 2" SEALING GROMMET
2	385311411 - DIPTUBE ASSY w/SLIP NUT **Includes Item 1.
3	385311233 - 1-1/2" SLIP SEAL REPLACEMENT
4	385311069 - 1-1/2" THREADED ELBOW HOSE ADAPTER **Includes Item 3.
5	313255247 - TANKSAVER **Includes Item 1.
6	385311164 - 1/2" SEALING GROMMET
7	385312121 - TANK LEVELS **Includes Item 6 & 8.
8	385311103 - TANK LEVEL FLOAT & LOCK RING
9	385310673 - VENT FILTER MOUNTING KIT
10	309311002 - VENT FILTER REPLACEMENT CARTRIDGE **Order Kit 385312060 for Replacement Fittings.
11	N/A - DISCHARGE PUMP **See Discharge Pump Replacement Parts List.
12	385311163 - PUMP MOUNTING HARDWARE
13	385310931 - QUICK CONNECT ELBOW **Includes Item 3.
14	385310660 - DIPTUBE ASSY w/THREADED FITTING **Includes Item 1.
15	385310844 - LPVG INLET FITTING; 35HTS **Includes Item 1.
16	385310787 - OFFSET STRAIGHT INLET FITTING **Includes Item 17.
17	385311111 - 1-1/2" SEALING GROMMET C7
18	N/A - LOW-PROFILE VACUUM GENERATOR **See LPVG Replacement Parts List.
19	385311162 - VG MOUNTING HARDWARE
20	313604402 - DTM04 w/SHUTDOWN RELAY - 12VDC 313604403 - DTM04 w/SHUTDOWN RELAY - 24VDC



P/N: 600345626
REV.: 04/10

PARTS LIST: 39 GAL HTS. 322703912 - 322703924

ITEM	PART NO.	DESCRIPTION
1	385311233	KIT, SLIP SEAL 1-1/2" REPL
2	385311460	KIT, INLET ASSY VG4 TO TK (39) (INC 1 & 4)
3	385311164	KIT, SEALING GROMMET 1/2"
4	385311111	KIT, SEALING GROMMET 1-1/2"
5	385311162	KIT, MTG HARDWARE VG TO HTS
6	N/A	SEE VG4 EXPLODED PARTS LIST
7	385311103	KIT, SWITCH FLOAT & LOCK RING
8	385311253	KIT, ADJ INDV LEVEL IND'C 12" (INC 3)
9	31325247	TANK SAVER, 1-1/2" (INC 10)
10	385311110	KIT, SEALING GROMMET 2"
11	385310673	KIT, FILTER MOUNTING-HTS
12	385310135	KIT, FILTER INSTALLATION
13	309310001	HOLDING TANK REPL FILTER
14	385311573	KIT, DIPTUBE 90° ELBOW GLUED (INC 10)
15	385311163	KIT, MTG HARDWARE PUMP TO TANK
16	N/A	SEE PUMP EXPLODED PARTS LIST
17	385640335	KIT, S-SUMP INLET TANK TO PUMP
18	307341161	ELL, STREET 90 DEGREE
19	600342787	ELBOW, STREET 1/4 BEND-1-1/2"
20	307341425	ADAPTER, 1-1/2" HUB X MPT
21	385311575	KIT, TPUMP DIPTUBE EL/SWIV CON



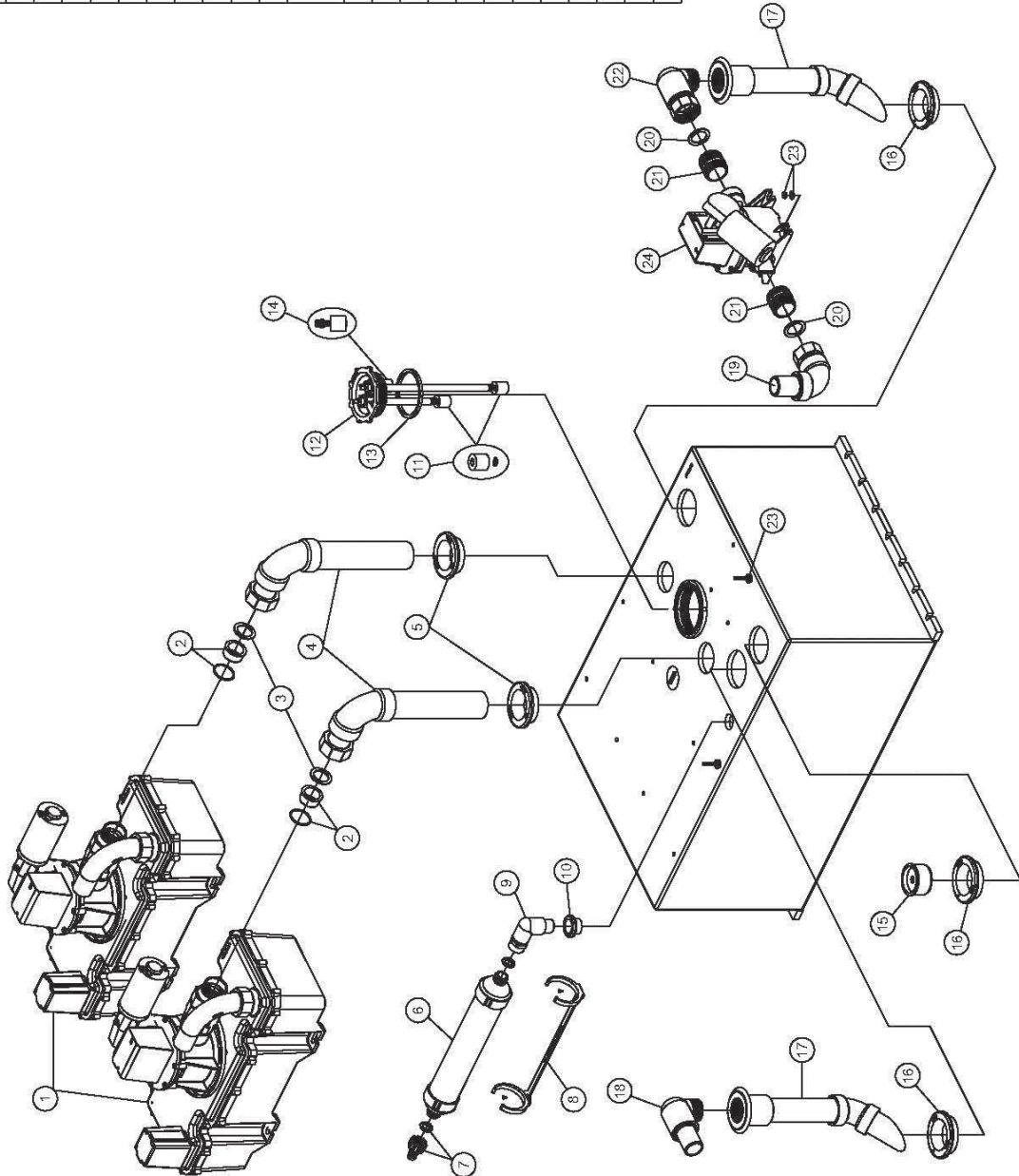
Dometic Corporation - Sanitation Systems
13128 State Rt. 226, P.O. Box 38
Big Prairie, OH 44611-0038 USA
Telephone: 330-496-3211
Fax: 330-496-3097
Email: sealand@dometicusa.com

P/N: 600345226
REV.: 08/09

PARTS LIST: 322714012, 322714024

ITEM	PART NO.	DESCRIPTION
1	N/A	SEE LP/VG EXPLODED PARTS LIST
2	385311237	KIT, SLIP SEAL ADAPTER/VG4
3	385311233	KIT, SLIP SEAL, 1-1/2" REPL.
4	385311306	KIT, VG4 INLET (322404005) (inc. Items 3 & 5)
5	385311111	KIT, SEALING GROMMET 1-1/2"
6	309310001	HOLDING TANK REPL. FILTER
7	385310135	KIT, FILTER INSTALLATION
8	385311106	KIT, VENT FILTER BRACKET
9	385311091	KIT, VENT ELBOW INLET 3/4" (inc. Item 10)
10	385311112	KIT, SEALING GROMMET 3/4"
11	385311103	KIT, SWITCH FLOAT & LOCK RING
12*	313000350	TWIII LEVEL CAP w/VENT (inc. Item 13)
13	385311149	KIT, TW CAP W/O VENT (D) 4040H (inc. Item 13)
14	385311250	KIT, TW CAP ORING REPL.
15	385230268	KIT, FLOAT/STEM (THREADED)
16	313255247	TANKSAVER 1-1/2" (inc. Item 16)
17	385311110	KIT, SEALING GROMMET 2"
18	385310660	KIT, DIP TUBE-UNIVERSAL (inc. Item 16)
19	385311069	KIT, THRD ELBOW WHOSE ADAPT
20	385310535	KIT, OPTIONAL ELBOW/VG II (inc. Item 21)
21	385311233	KIT, SLIP SEAL 1-1/2" REPL.
22	385640370	KIT, LHRH THREAD ADAPTER
23	385310931	KIT, QUICK CONNECT ELBOW (inc. Item 21)
24	385310939	KIT, COMP MTG INSERT HD TANK
24	385310939	SEE PUMP EXPLODED PARTS LIST.

*Models 322404005 and 322404008 have non vented caps.
*Models 322714012 and 322714024 have vented caps.

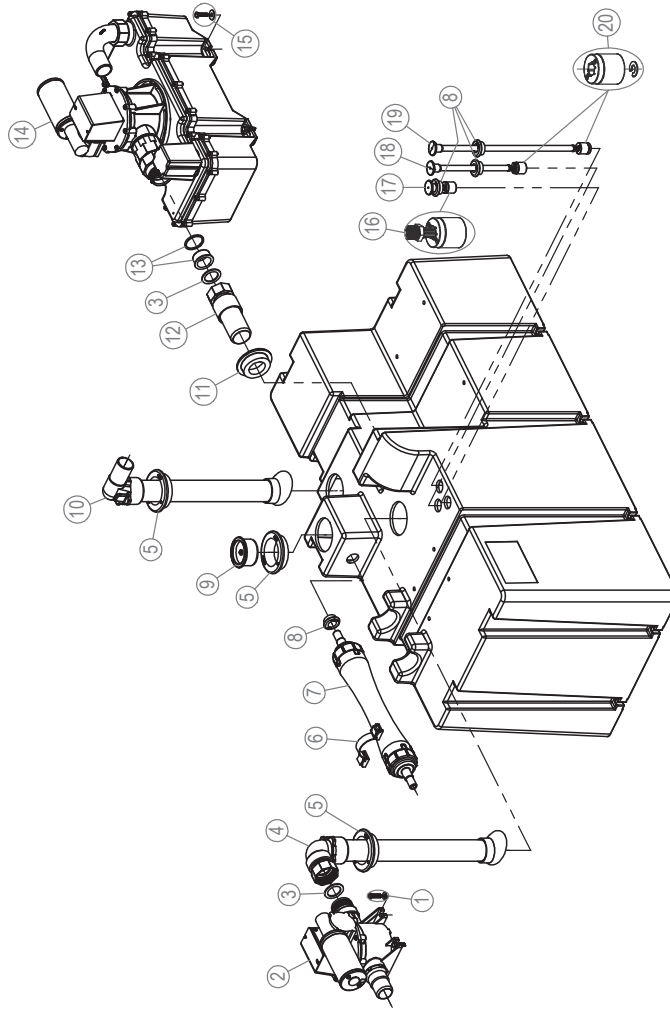


Dometic Corporation - Sanitation Systems
13128 State Rt. 226, P.O. Box 38
Big Prairie, OH 44611-0038 USA
Telephone: 330-496-3211
Fax: 330-496-3097
Email: sealand@dometicusa.com

P/N: 600345637
REV.: 04-11/15

PARTS LIST: 42 GALLON HTS / 322714212 & 322014224

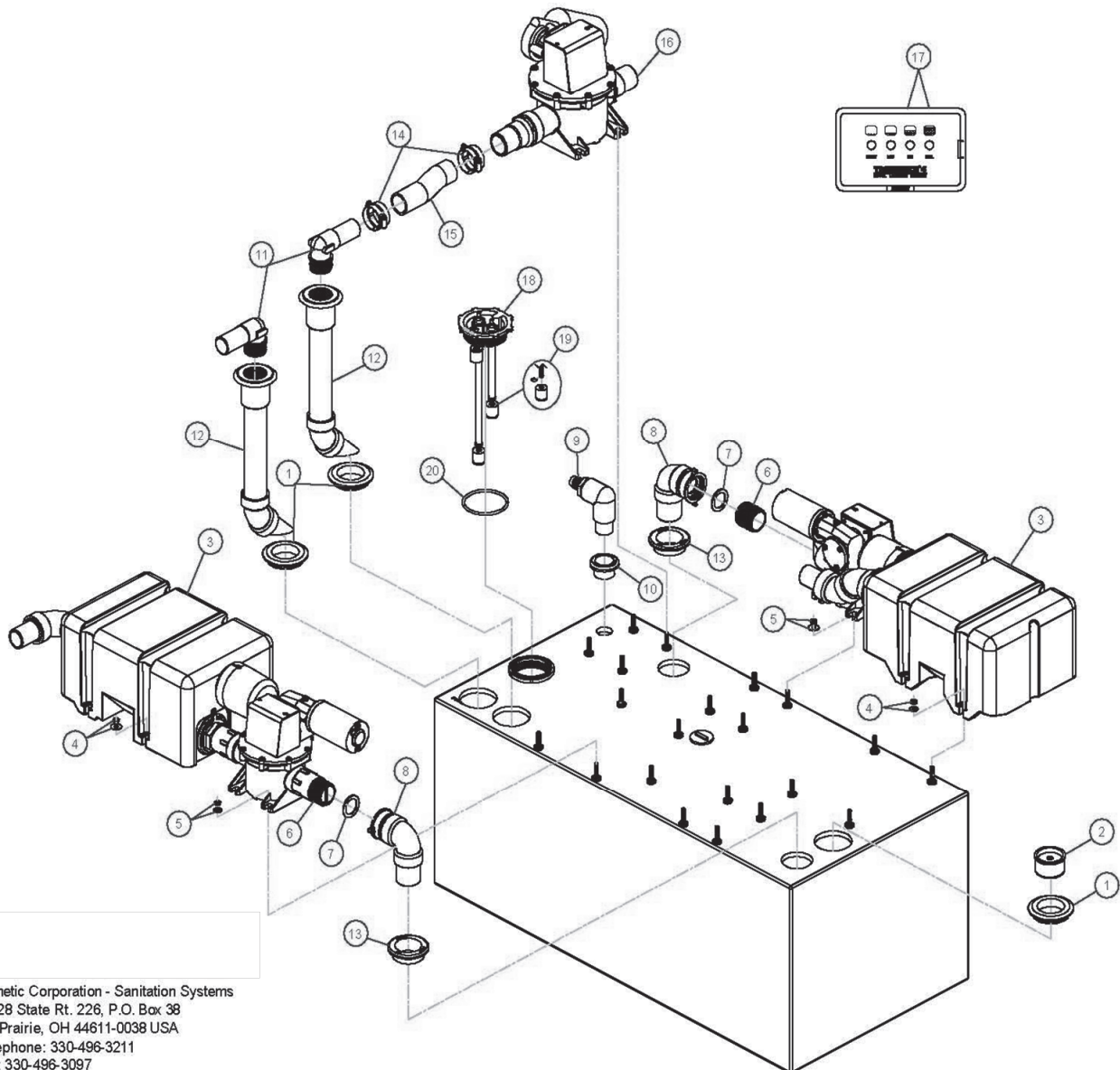
ITEM	PART NUMBER & DESCRIPTION
1	385311163 - PUMP MOUNTING HARDWARE
2	N/A - DISCHARGE PUMP **See Discharge Pump Parts List.
3	385311233 - 1-1/2" SLIP SEAL REPLACEMENT
4	385311575 - DIPTUBE W/90° ELBOW & SLIP NUT **Includes Item 3 & 5.
5	385311110 - 2" SEALING GROMMET
6	385310673 - VENT FILTER MOUNTING KIT
7	309311002 - VENT FILTER REPLACEMENT CARTRIDGE **Order Kit 385312060 for Replacement Fittings.
8	385311164 - 1/2" SEALING GROMMET
9	313255247 - TANKSAVER **Includes Item 5.
10	385311573 - DIPTUBE ASSY w/90° ELBOW **Includes Item 5.
11	385311111 - 1-1/2" SEALING GROMMET
12	385311236 - VG4 HOLDING TANK INLET FITTING **Includes Items 3 & 11.
13	385311237 - SLIP SEAL ADAPTER FITTING
14	N/A - VACUUM GENERATOR 4 **See VG4 Parts List.
15	385311162 - VG MOUNTING HARDWARE
16	385230268 - THREADED STEM/FLOAT REPLACEMENT
17	313900101 - TANK FULL LEVEL **Includes Item 8.
18	385311253 - ADJUSTABLE TANK LEVEL 12" **Includes Item 8.
19	385311254 - TANK LEVEL ADJUSTABLE 24" **Includes Item 8.
20	385311103 - TANK LEVEL FLOAT & LOCK RING



Dometic Corporation - Sanitation Systems
13128 State Rt. 226, P.O. Box 38
Big Prairie, OH 44611-0038 USA
Telephone: 330-439-5550
Fax: 330-496-3097
Email: seeland@dometicusa.com

PARTS LIST: HD TANK 4055 (322715512 & 322715524)

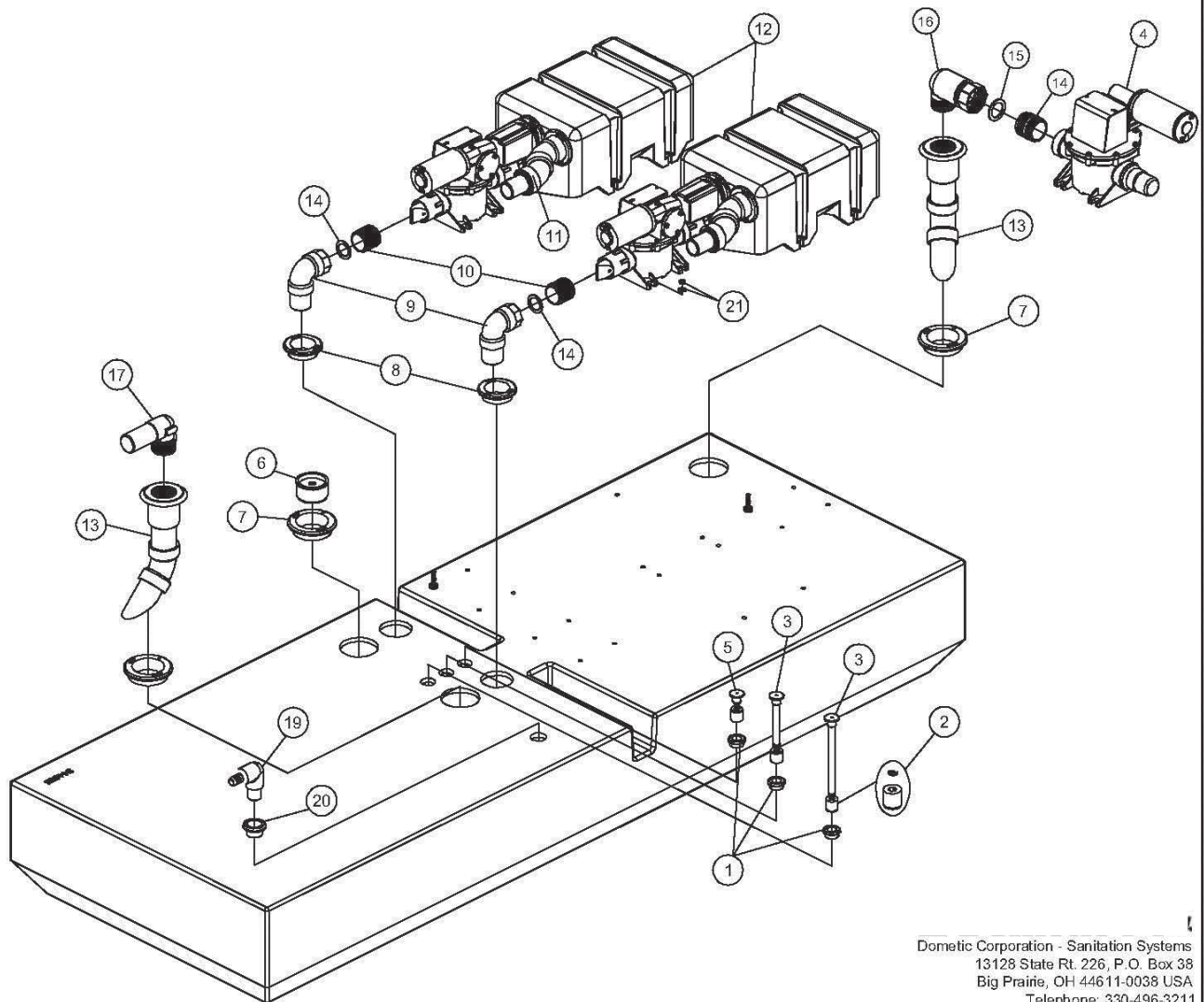
ITEM	PART NO.	DESCRIPTION	ITEM	PART NO.	DESCRIPTION
1	385311110	SEALING GROMMET 2"	12	385310660	DIPTUBE KIT 24" (inc. item 1)
2	313255247	1 1/2" TANKSAVER (inc. item 1)	13	385311111	1-1/2" SEALING GROMMET
3	--	SEE VGLP EXPLODED PARTS LIST	14	N/A	CLAMP 2"
4	385311162	KIT, MTG HARDWARE VG TO HTS	15	385311089	1 1/2" HOSE REPLACEMENT 24"
5	385311163	KIT, MTG HARDWARE PUMP TO TANK	16	317301200	T-PUMP 12VDC
6	388640366	NIPPLE, CLOSE 1 1/2"	16	317302400	T-PUMP 24VDC
7	385311233	SLIP JOINT SEAL 1-1/2"	17	360600212	TW4 PANEL W/RELAY-12VDC
8	385311092	SWIVEL ELBOW (includes item 7 & 13)	17	360600224	TW4 PANEL W/RELAY-24VDC
9	385311073	VENT ELBOW (includes item 10)	18	313000355	TW CAP W/O VENT
10	385311112	GROMMET, SEALING 3/4"	19	385311103	KIT, SWITCH FLOAT & LOCK RING
11	385311251	FITTING, 90° X 1 1/2" MPT	20	385311250	KIT, TW CAP ORING REPL



Dometic Corporation - Sanitation Systems
13128 State Rt. 226, P.O. Box 38
Big Prairie, OH 44611-0038 USA
Telephone: 330-496-3211
Fax: 330-496-3097
Email: sealand@dometicusa.com

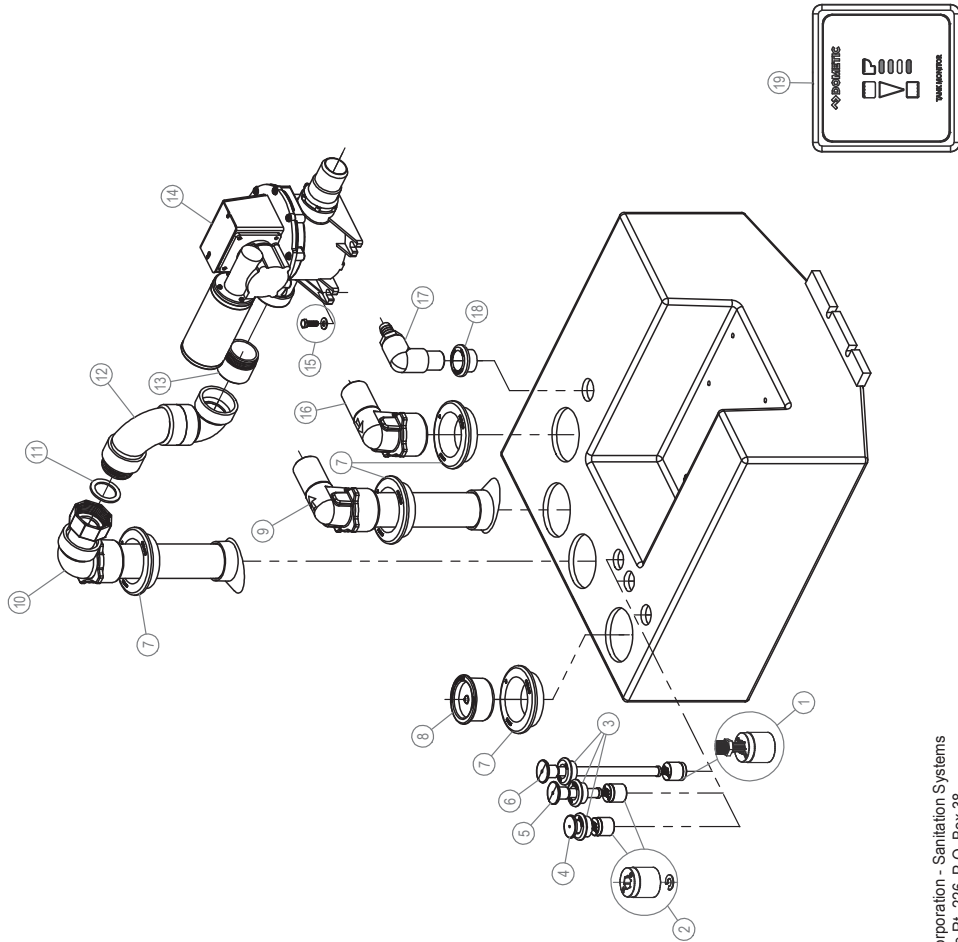
PARTS LIST: HTS 80 LPVG12/T12 OR 24/TW4

ITEM	PART NO.	DESCRIPTION	ITEM	PART NO.	DESCRIPTION
1	385311164	SEALING GROMMET 1/2"	11	385310787	KIT, 45 INLET ELBOW/UNISEALS (inc. item 8)
2	385311103	REED SWITCH FLOAT & LOCK RING KIT	12	N/A	SEE VACUUM GENERATOR PARTS LIST
3	385311104	LEVEL INDICATOR - 5- 1/2" (inc. item 1)	13	385310660	DIPTUBE KIT 24" (inc. item 7)
4	N/A	SEE PUMP PARTS LIST	14	385311233	KIT, SLIP SEAL 1-1/2" REPL
5	313900101	TANK FULL FLOAT (inc. item 3)	15	385640370	KIT, LH/RH THREAD ADAPTER
6	313255247	1 1/2" TANKSAVER (inc. item 7)	16	385310931	KIT, QUICK CONNECT ELBOW (inc. item 14)
7	385311110	SEALING GROMMET 2"	17	385311251	KIT, 90° ELBOW FITTING
8	385311111	1-1/2" SEALING GROMMET	18	385310939	KIT, COMP MTG INSERT HD TANK
9	385311092	SWIVEL ELBOW KIT (inc. item 8 & 14)	19	385311073	KIT, VENT ELBOW-BARBED
10	385311272	KIT, 1-1/2" CLOSED NIP(MACH'N)	20	385311112	SEALING GROMMET 3/4"



PARTS LIST: 10 GAL HULL HOLDING TANK SYSTEM - 322721012 & 322721024

ITEM	PART NUMBER & DESCRIPTION
1	385230268 - THREADED STEM/FLOAT REPLACEMENT
2	385311103 - TANK LEVEL FLOAT & LOCK RING
3	385311164 - 1/2" SEALING GROMMET
4	313900101 - TANK FULL LEVEL **Includes Item 3.
5	385311031 - MID TANK LEVEL REPLACEMENT KIT **Includes Item 3.
6	385311032 - EMPTY TANK LEVEL REPLACEMENT KIT **Includes Item 3.
7	385311110 - 2" SEALING GROMMET
8	313255247 - TANKSAVER **Includes Item 7.
9	385311573 - DIP TUBE ASSY w/90° ELBOW **Includes Item 7.
10	385311575 - DIPTUBE W/90° ELBOW & SLIP NUT **Includes Item 7 & 11.
11	385311233 - 1-1/2" SLIP SEAL REPLACEMENT
12	385311029 - TRANSITION DISCHARGE FITTING **Includes Items 11 & 13.
13	385640335 - PUMP ADAPTER FITTING
14	N/A - DISCHARGE PUMP **See Discharge Pump Repair Parts List.
15	385311163 - PUMP MOUNTING HARDWARE
16	385311608 - 1-1/2" INLET ELBOW FITTING **Includes Item 7.
17	385311073 - 5/8" VENT ELBOW FITTING **Includes Item 18.
18	385311112 - 3/4" SEALING GROMMET
19	313604402 - DTM04 w/SHUTDOWN RELAY - 12VDC 313604403 - DTM04 w/SHUTDOWN RELAY - 24VDC

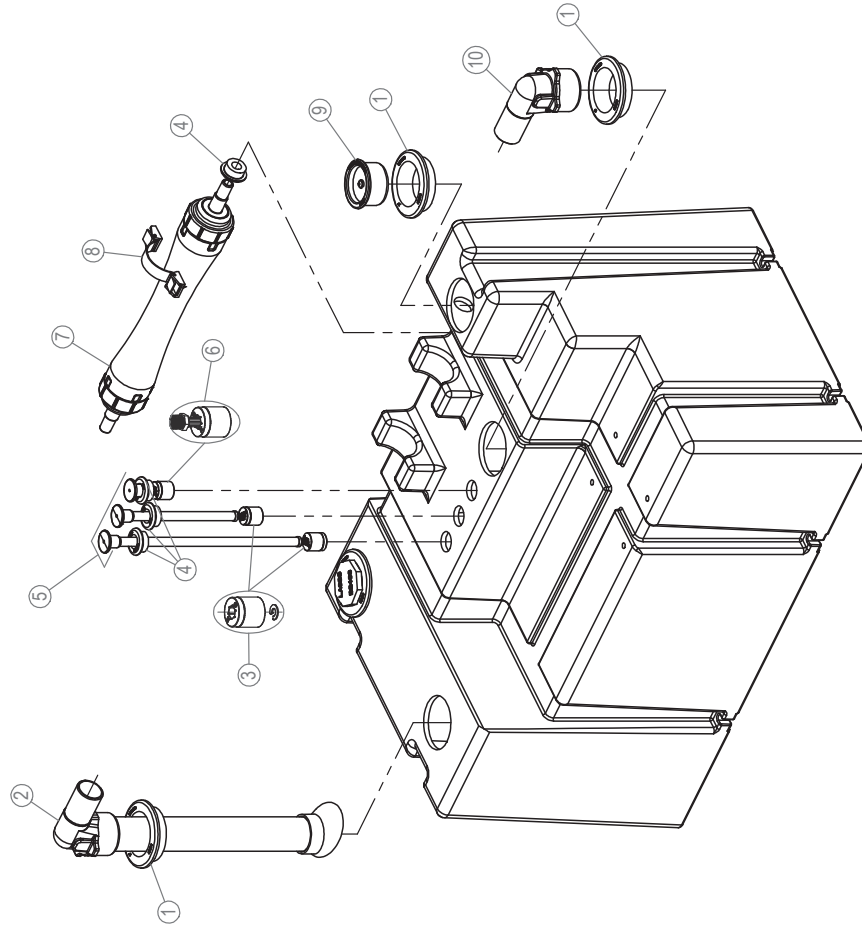


Dometic Corporation - Sanitation Systems
13128 Stele Rt, 226, P.O. Box 38
Big Prairie, OH 44611-0038 USA
Telephone: 330-439-5550
Fax: 330-496-3097
Email: sealand@dometicusa.com

P/N: 600347200
REV.: 01-06/15

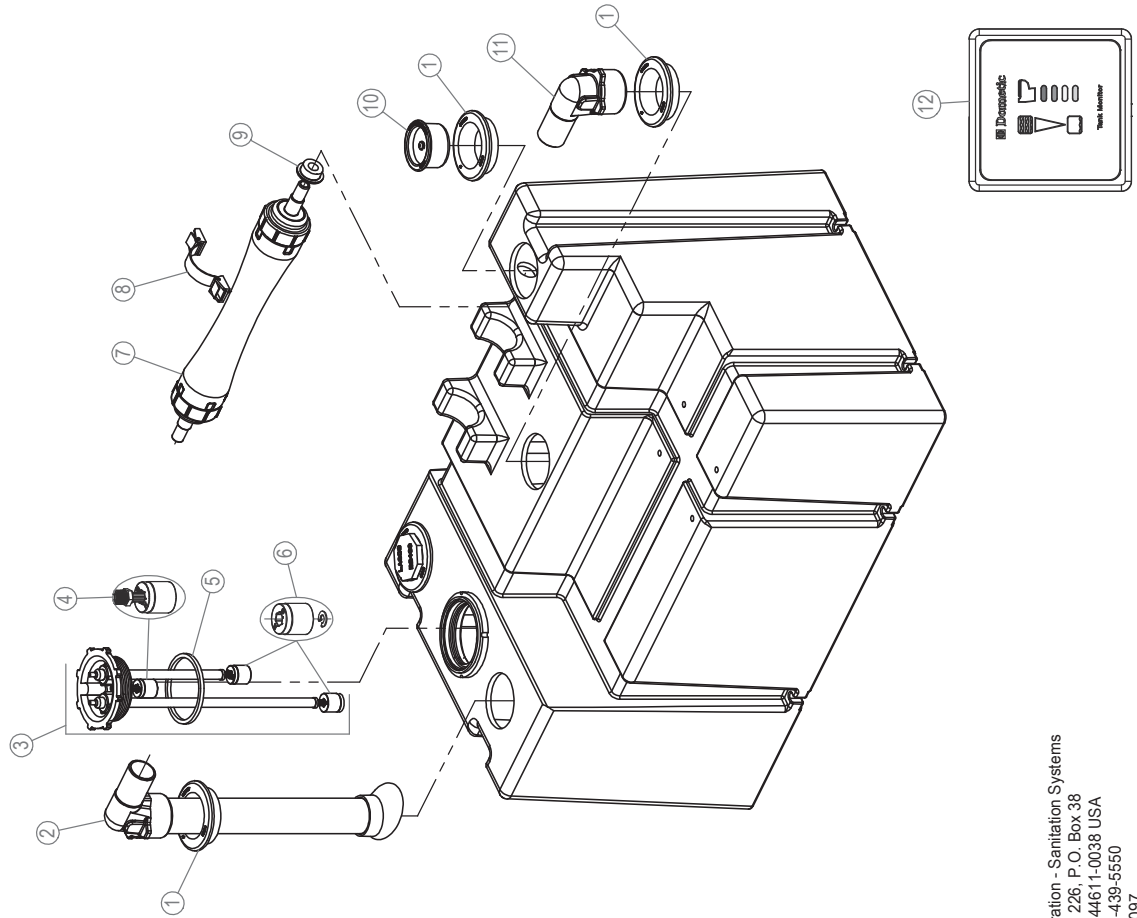
PARTS LIST: 28 GAL HOLDING TANK SYSTEM - 322002800 & 322202800

ITEM	PART NUMBER & DESCRIPTION
1	385311110 - 2" SEALING GROMMET
2	385311573 - DIPTUBE ASSY w/90° ELBOW **Includes Item 1.
3	385311103 - TANK LEVEL FLOAT & LOCK RING
4	385311164 - 1/2" SEALING GROMMET
5	385311513 - TANK LEVELS w/DT CONNECTOR **Includes Item 4.
6	385230268 - THREADED STEM/FLOAT REPLACEMENT
7	309311002 - VENT FILTER REPLACEMENT CARTRIDGE **Order Kit 385312060 for Replacement Fittings.
8	385310673 - VENT FILTER MOUNTING KIT
9	313255247 - TANKSAVER **Includes Item 1.
10	385311608 - 1-1/2" INLET ELBOW FITTING **Includes Item 1.



Dometic Corporation - Sanitation Systems
13128 State Rt. 226, P.O. Box 38
Big Prairie, OH 44611-0038 USA
Telephone: 330-439-5550
Fax: 330-496-3097
Email: sealand@dometicus.com

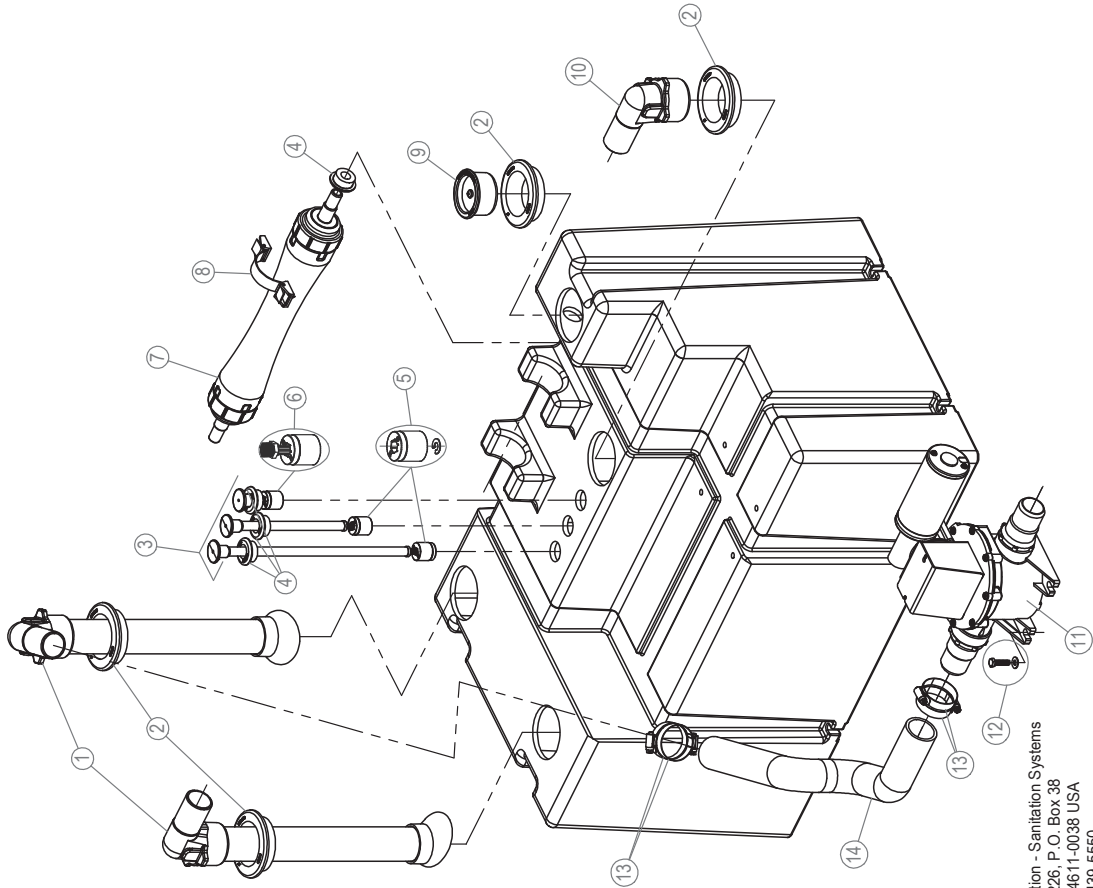
PARTS LIST: 28 GAL HOLDING TANK SYSTEM - 322012800



ITEM	PART NUMBER & DESCRIPTION
1	385311110 - 2" SEALING GROMMET
2	385311573 - DIPTUBE ASSY w/90° ELBOW **Includes Item 1.
3	385310715 - TANKWATCH CAP w/DT CONNECTOR **Includes Item 5.
4	385230268 - THREADED STEM/FLOAT REPLACEMENT
5	385311250 - TANKWATCH CAP O'RING REPL
6	385311103 - TANK LEVEL FLOAT & LOCK RING
7	309311002 - VENT FILTER REPLACEMENT CARTRIDGE **Order Kit 385312060 for Replacement Fittings.
8	385310673 - VENT FILTER MOUNTING KIT
9	385311164 - 1/2" SEALING GROMMET
10	313255247 - TANKSAVER **Includes Item 1.
11	385311608 - 1-1/2" INLET ELBOW FITTING **Includes Item 1.
12	313604401 - DOMETIC TANK MANAGER PANEL - BLACK

P/N: 600345706
REV.: 03-06/15

PARTS LIST: 28 GAL HOLDING TANK SYSTEM - 322002812

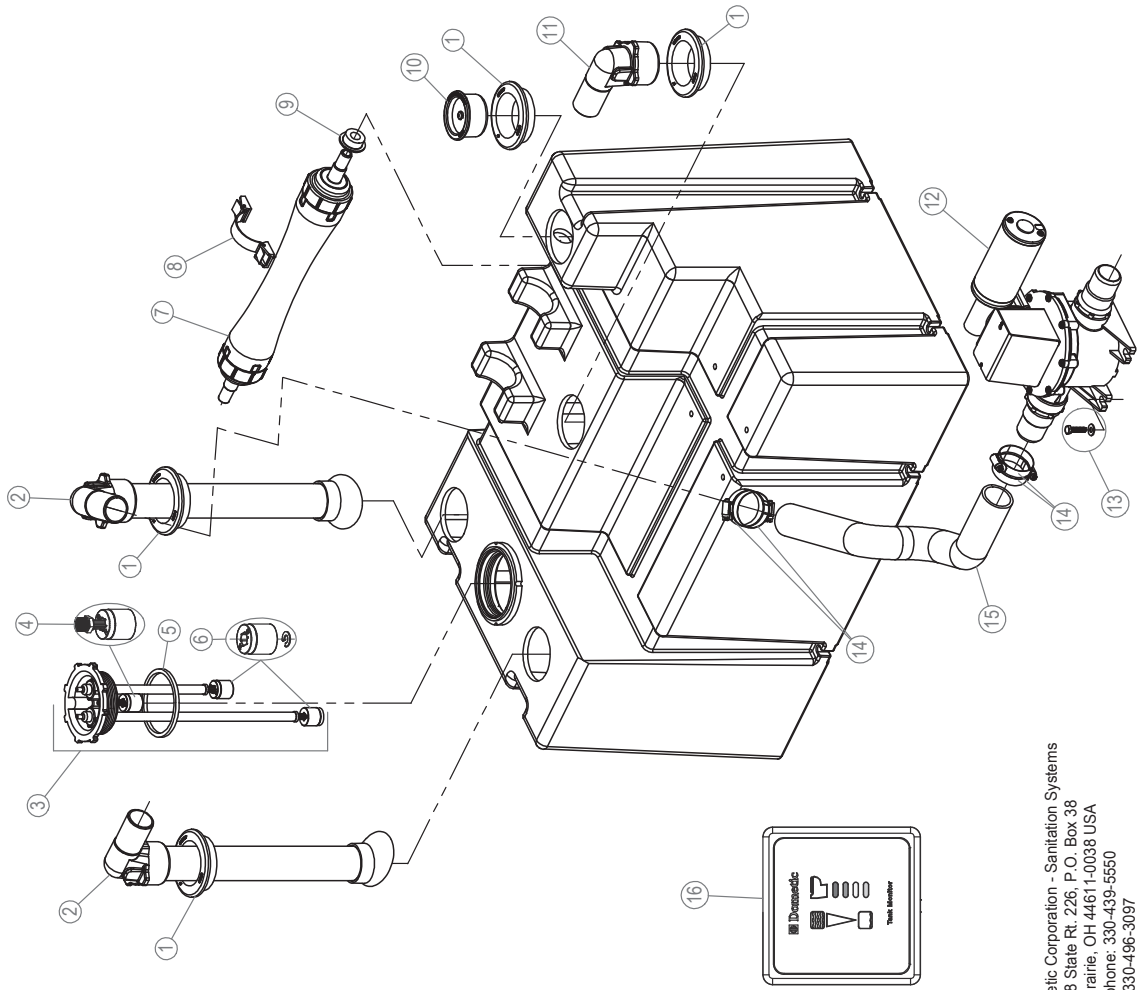


ITEM	PART NUMBER & DESCRIPTION
1	385311573 - DIPTUBE ASSY w/90° ELBOW **Includes Item 2.
2	385311110 - 2" SEALING GROMMET
3	385311513 - TANK LEVELS w/DT CONNECTOR **Includes Item 4.
4	385311164 - 1/2" SEALING GROMMET
5	385311103 - TANK LEVEL FLOAT & LOCK RING
6	385230268 - THREADED STEM/FLOAT REPLACEMENT
7	309311002 - VENT FILTER REPLACEMENT CARTRIDGE **Order Kit 385312060 for Replacement Fittings.
8	385310673 - VENT FILTER MOUNTING KIT
9	313255247 - TANKSAVER **Includes Item 2.
10	385311608 - 1-1/2" INLET ELBOW FITTING **Includes Item 2.
11	N/A - DISCHARGE PUMP **See Discharge Pump Parts List.
12	385311163 - PUMP MOUNTING HARDWARE
13	385311898 - 1-1/2" HOSE CLAMPS **Includes 2 Clamps per Kit.
14	385311089 - 1-1/2" HOSE REPLACEMENT (24")

Dometic Corporation - Sanitation Systems
13128 State Rt. 226, P.O. Box 38
Big Prairie, OH 44611-0038 USA
Telephone: 330-439-5550
Fax: 330-496-3097
Email: sealand@dometicusa.com

P/N: 600345164
REV.: 03-06/15

PARTS LIST: 28 GAL HOLDING TANK SYSTEM - 322012812; 322012824

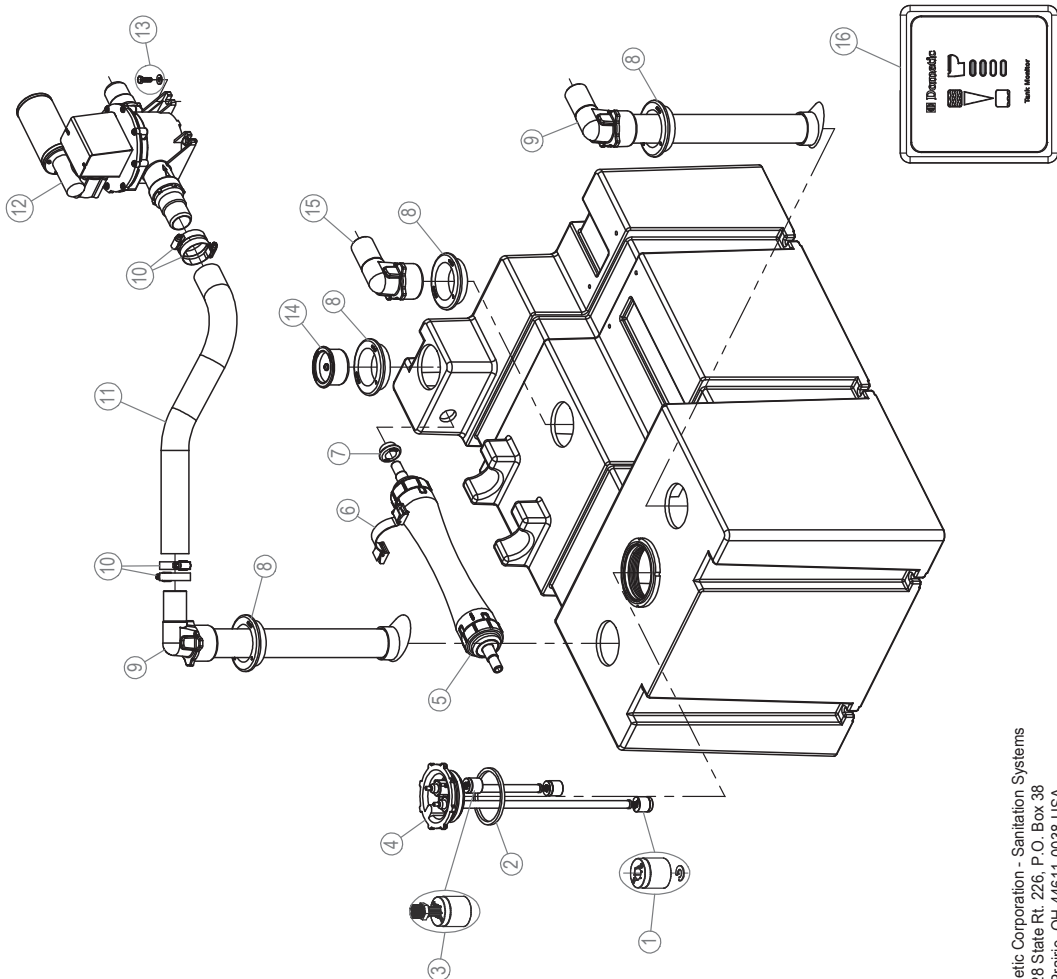


ITEM	PART NUMBER & DESCRIPTION
1	38531110 - 2" SEALING GROMMET
2	385311573 - DIPTUBE ASSY w/90° ELBOW **Includes Item 1.
3	385310715 - TANKWATCH CAP w/DT CONNECTOR **Includes Item 5.
4	385230268 - THREADED STEM/FLOAT REPLACEMENT
5	385311250 - TANKWATCH CAP ORING REPL'L
6	385311103 - TANK LEVEL FLOAT & LOCK RING
7	309311002 - VENT FILTER REPLACEMENT CARTRIDGE **Order Kit 385312060 for Replacement Fittings.
8	385310673 - VENT FILTER MOUNTING KIT
9	385311164 - 1/2" SEALING GROMMET
10	313255247 - TANKSAVER **Includes Item 1.
11	385311608 - 1-1/2" INLET ELBOW FITTING **Includes Item 1.
12	N/A - DISCHARGE PUMP **See Discharge Pump Parts List.
13	385311163 - PUMP MOUNTING HARDWARE
14	385311898 - 1-1/2" HOSE CLAMPS **Includes 2 Clamps per Kit.
15	385311089 - 1-1/2" HOSE REPLACEMENT (24")
16	313604401 - DOMETIC TANK MANAGER PANEL - BLACK **Not Included with All Models.

Dometic Corporation - Sanitation Systems
13128 Slate Rt. 226, P.O. Box 38
Big Prairie, OH 44611-0038 USA
Telephone: 330-439-5550
Fax: 330-496-3097
Email: sealand@dometicusa.com

P/N: 600346517
REV.: 03-08/15

PARTS LIST: 40 GALLON HOLDING TANK SYSTEM / 322004012; 322004024; 322014012; 322014024



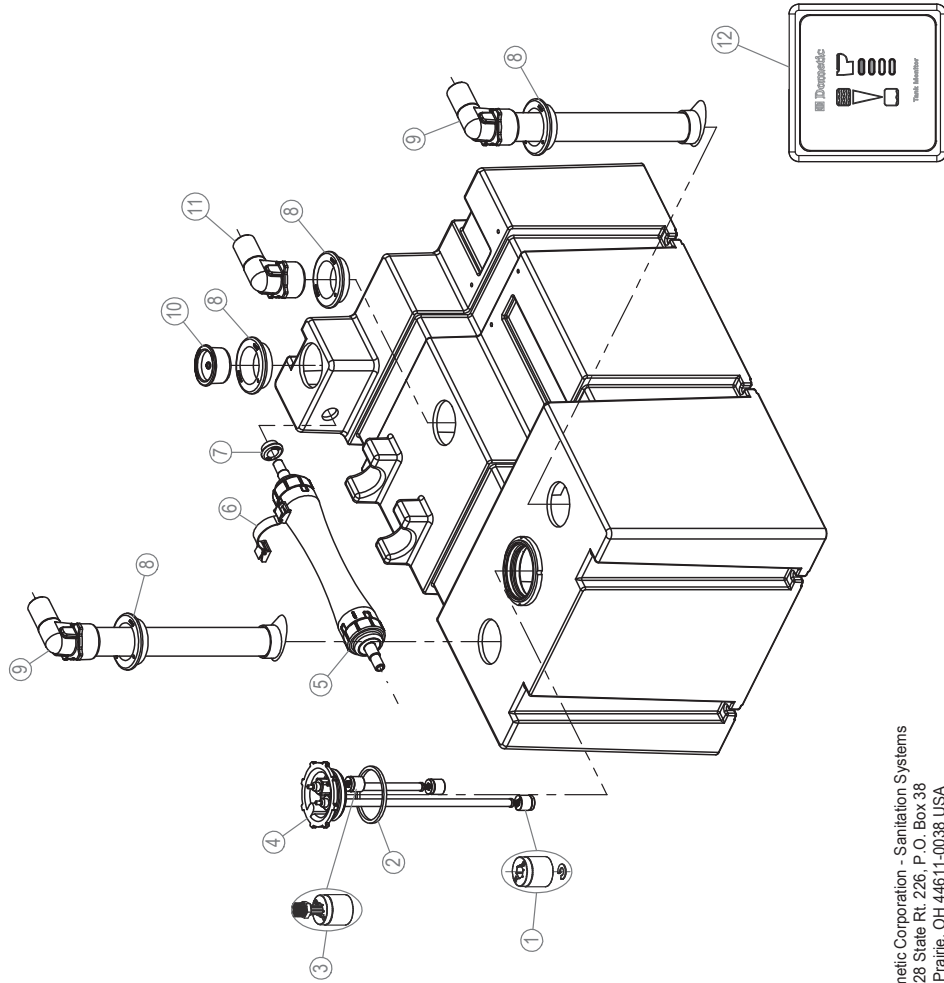
ITEM	PART NUMBER & DESCRIPTION
1	385311103 - TANK LEVEL FLOAT & LOCK RING
2	385311250 - TANKWATCH CAP ORING REPL'L
3	385230288 - THREADED STEM/FLOAT REPLACEMENT
4	385310646 - TANKWATCH CAP WITHOUT VENT **Includes Item 2.
5	309311002 - VENT FILTER REPLACEMENT CARTRIDGE **Order Kit 385312060 for Replacement Fittings.
6	385310673 - VENT FILTER MOUNTING KIT
7	385311164 - 1/2" SEALING GROMMET
8	385311110 - 2" SEALING GROMMET
9	385311573 - DIPTUBE ASSY w/90° ELBOW **Includes Item 8.
10	385311898 - 1-1/2" HOSE CLAMPS **Includes 2 Clamps per Kit.
11	385311089 - 1-1/2" HOSE REPLACEMENT (24")
12	N/A - DISCHARGE PUMP **See Discharge Pump Parts List.
13	385311163 - PUMP MOUNTING HARDWARE
14	313255247 - TANKSAVER **Includes Item 8.
15	385311608 - 1-1/2" INLET ELBOW FITTING **Includes Item 8.
16	313604401 - DOMETIC TANK MANAGER PANEL - BLACK **Optional for Item numbers 322014012 & 322014024.

Dometic Corporation - Sanitation Systems
13128 State Rt. 226, P.O. Box 38
Big Prairie, OH 44611-0038 USA
Telephone: 330-439-5550
Fax: 330-496-3097
Email: sealand@dometicausa.com

P/N: 600347071
REV.: 02-08/15

PARTS LIST: 40 GALLON HOLDING TANK SYSTEM / 3220014000

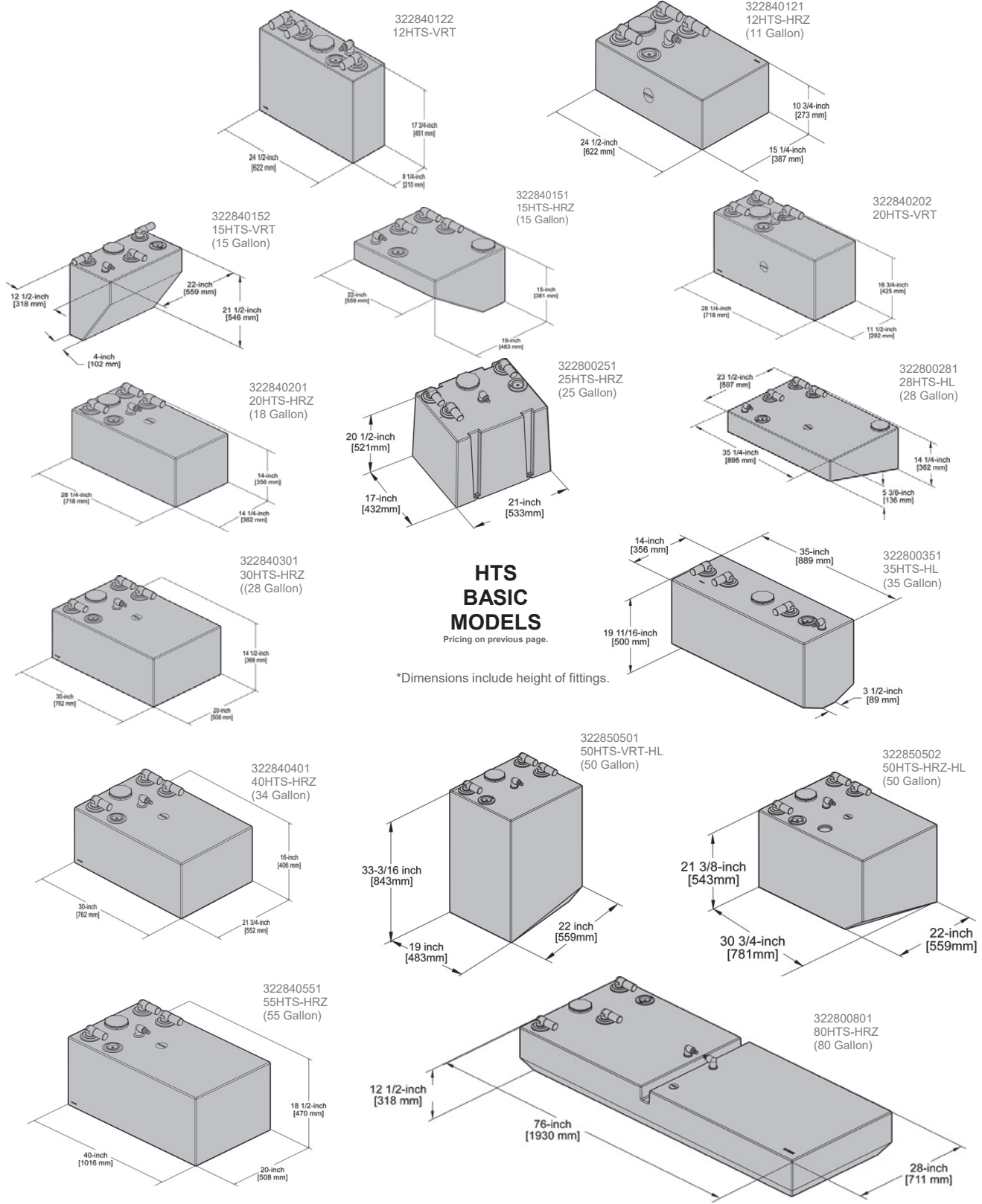
ITEM	PART NUMBER & DESCRIPTION
1	385311103 - TANK LEVEL FLOAT & LOCK RING
2	385311250 - TANKWATCH CAP O'RING REPL
3	385230268 - THREADED STEM/FLOAT REPLACEMENT
4	385310646 - TANKWATCH CAP WITHOUT VENT **Includes Item 2.
5	309311002 - VENT FILTER REPLACEMENT CARTRIDGE **Order Kit 385312060 for Replacement Fittings.
6	385310673 - VENT FILTER MOUNTING KIT
7	385311164 - 1/2" SEALING GROMMET
8	385311110 - 2" SEALING GROMMET
9	385311573 - DIPTUBE ASSY w/90° ELBOW **Includes Item 8.
10	313255247 - TANKSAVER **Includes Item 8.
11	385311608 - 1-1/2" INLET ELBOW FITTING **Includes Item 8.
12	313604401 - DOMETIC TANK MANAGER PANEL - BLACK



Dometic Corporation - Sanitation Systems
13128 State Rt. 226, P.O. Box 38
Big Prairie, OH 44611-0038 USA
Telephone: 330-439-5550
Fax: 330-496-3097
Email: seeland@dometicusa.com

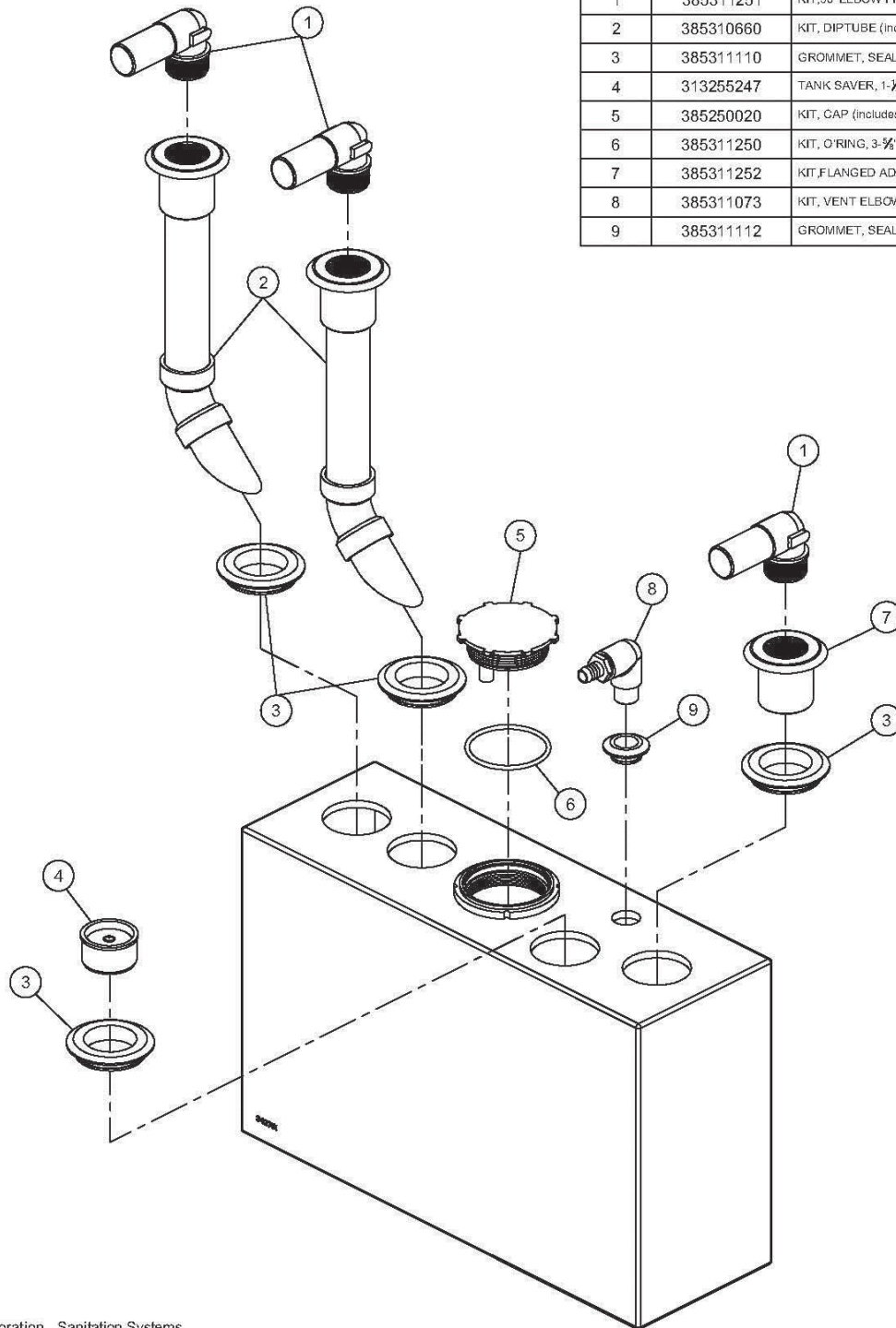
STANDARD HOLDING TANK SYSTEMS

HTS-Basic Models



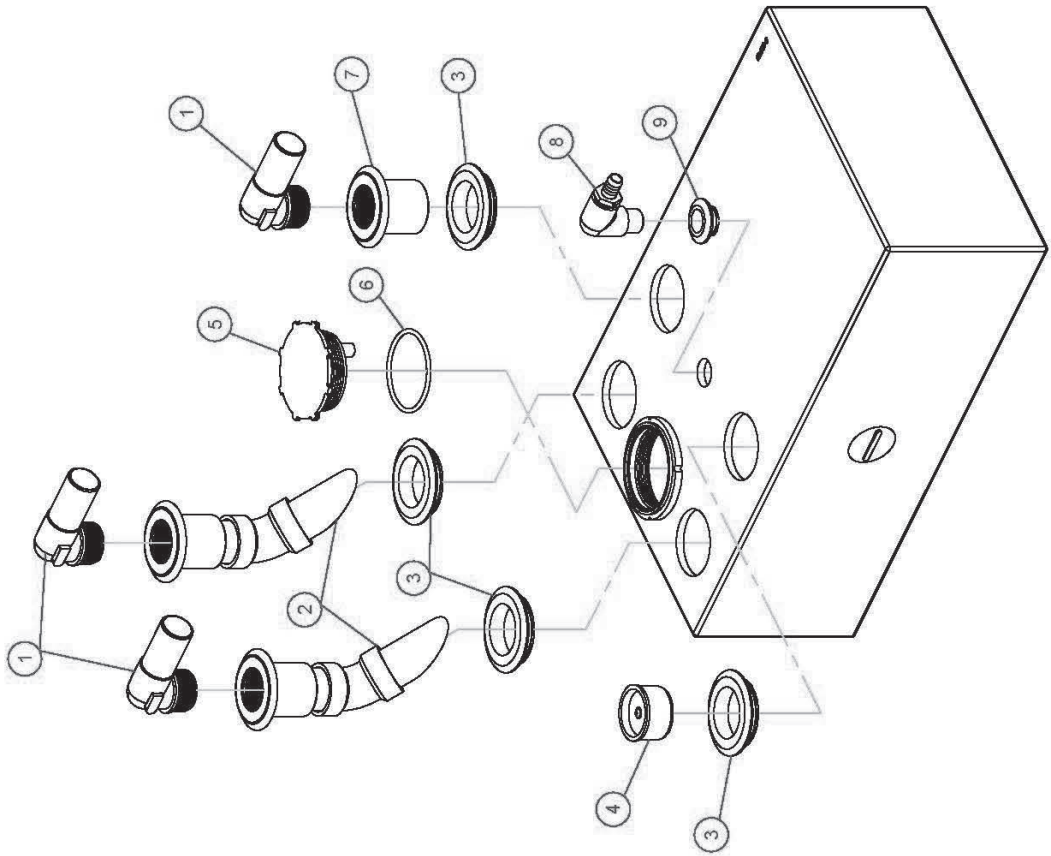
PARTS LIST: MODEL 322840122 HTS BASIC

ITEM	PART NO.	DESCRIPTION
1	385311251	KIT, 90° ELBOW FITTING
2	385310660	KIT, DIPTUBE (includes item 3)
3	385311110	GROMMET, SEALING 2"
4	313255247	TANK SAVER, 1-1/2" (includes item 3)
5	385250020	KIT, CAP (includes item 6)
6	385311250	KIT, O-RING, 3-5/8" OD X 3/8"
7	385311252	KIT, FLANGED ADAPTER FITTING
8	385311073	KIT, VENT ELBOW BARBED
9	385311112	GROMMET, SEALING 3/4"



PARTS LIST: MODEL 322840121 HTS BASIC

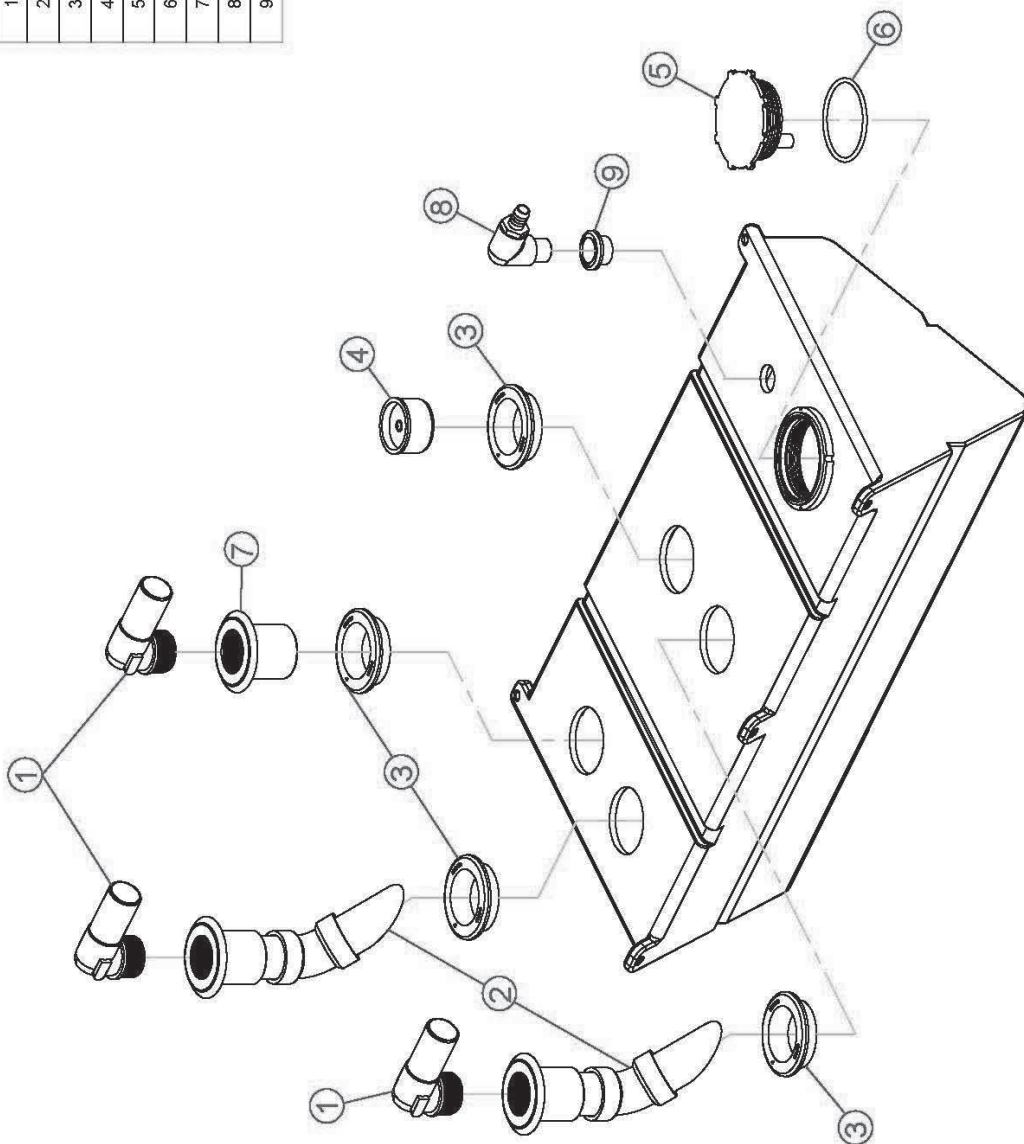
ITEM	PART NO.	DESCRIPTION
1	385311251	KIT, 90° ELBOW FITTING
2	385310937	KIT, DIPTUBE (Includes item 3)
3	385311110	GROMMET, SEALING 2"
4	313255247	TANK SAVER, 1-1/2" (Includes item 3)
5	385250020	KIT, CAP (Includes item 6)
6	385311250	KIT, O-RING, 3-3/8" OD X 3/16"
7	385311252	KIT, FLANGED ADAPTER FITTING
8	385311073	KIT, VENT ELBOW BARBED
9	385311112	GROMMET, SEALING 3/4"



P/N: 600345095
REV.: 04/05

PARTS LIST: MODEL 322800121 HTS BASIC

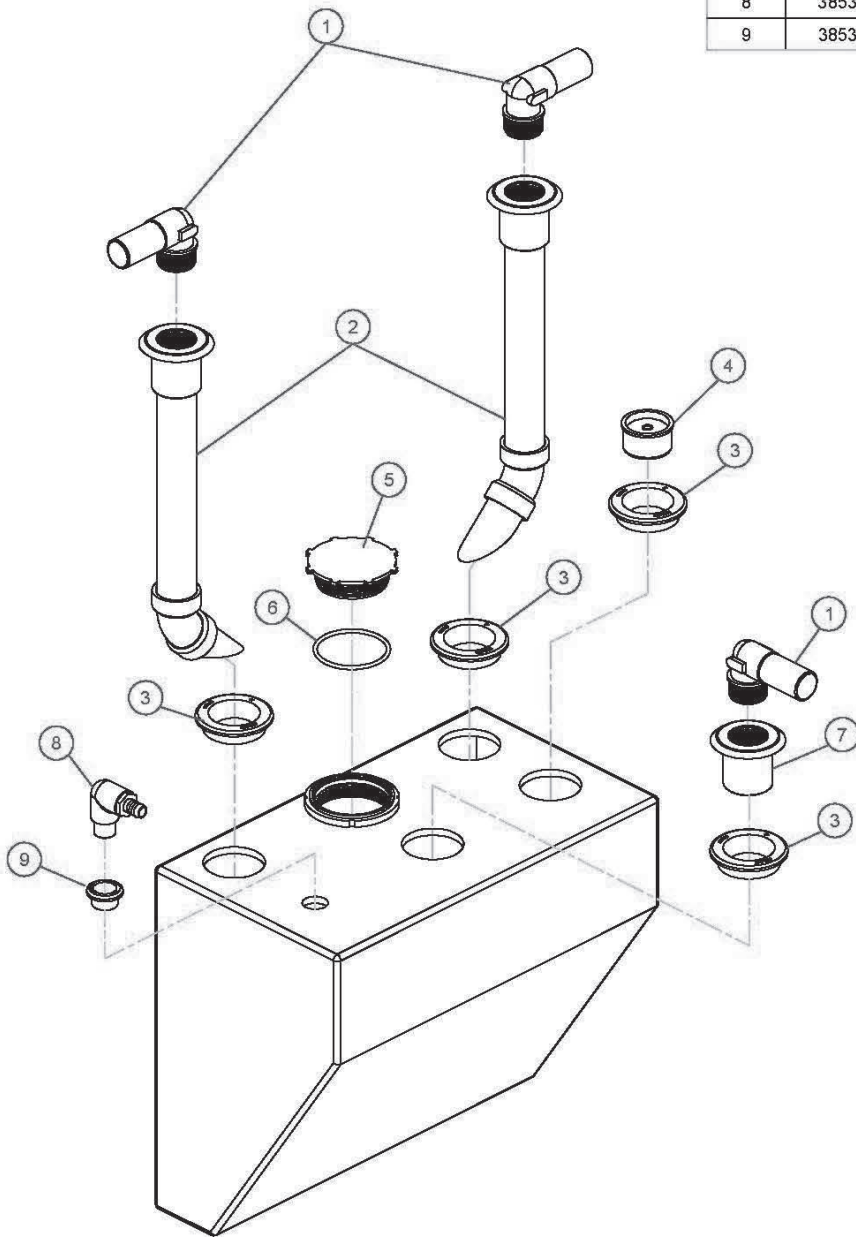
ITEM	PART NO.	DESCRIPTION
1	385311251	KIT, 90° ELBOW FITTING
2	385311078	KIT, DIPTUBE
3	385311110	KIT, GROMMET SEALING 2"
4	313255247	TANK SAVER, 1-1/2" (includes item 3)
5	385250020	KIT, CAP (includes item 6)
6	385311250	KIT, O'RING 3-3/8" OD X 3/8"
7	385311252	KIT, FLANGED ADAPTER FITTING
8	385311073	KIT, VENT ELBOW BARBED
9	385311112	KIT, GROMMET SEALING 3/4"



Dometic Corporation - Sanitation Systems
13128 State Rt. 226, P.O. Box 38
Big Prairie, OH 44611-0038 USA
Telephone: 330-496-3211
Fax: 330-496-3097
Email: sealand@dometicusa.com

PARTS LIST: MODEL 322840152 HTS BASIC

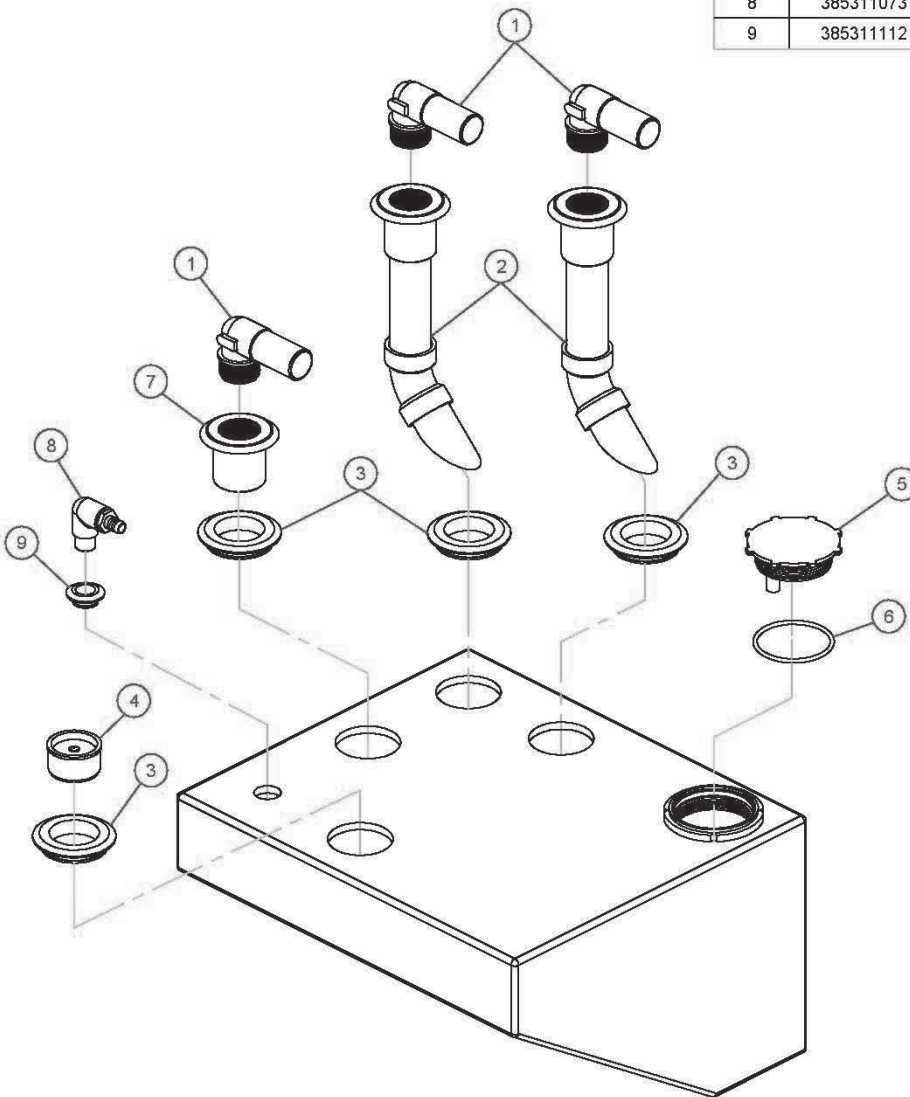
ITEM	PART NO.	DESCRIPTION
1	385311251	KIT, 80° ELBOW FITTING
2	385311077	KIT, DIPTUBE (includes item 3)
3	385311110	GROMMET, SEALING 2"
4	313255247	TANK SAVER, 1- $\frac{1}{2}$ " (includes item 3)
5	385250020	KIT, CAP (includes item 6)
6	385311250	KIT, O'RING, 3- $\frac{3}{8}$ " OD X $\frac{3}{16}$ "
7	385311252	KIT, FLANGED ADAPTER FITTING
8	385311073	KIT, VENT ELBOW BARBED (includes item 9)
9	385311112	GROMMET, SEALING $\frac{3}{4}$ "



Dometic Corporation - Sanitation Systems
13128 State Rt. 226, P.O. Box 38
Big Prairie, OH 44611-0038 USA
Telephone: 330-496-3211
Fax: 330-496-3097
Email: sealand@dometicusa.com

PARTS LIST: MODEL 322840151 HTS BASIC

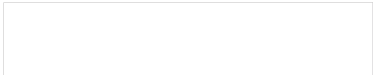
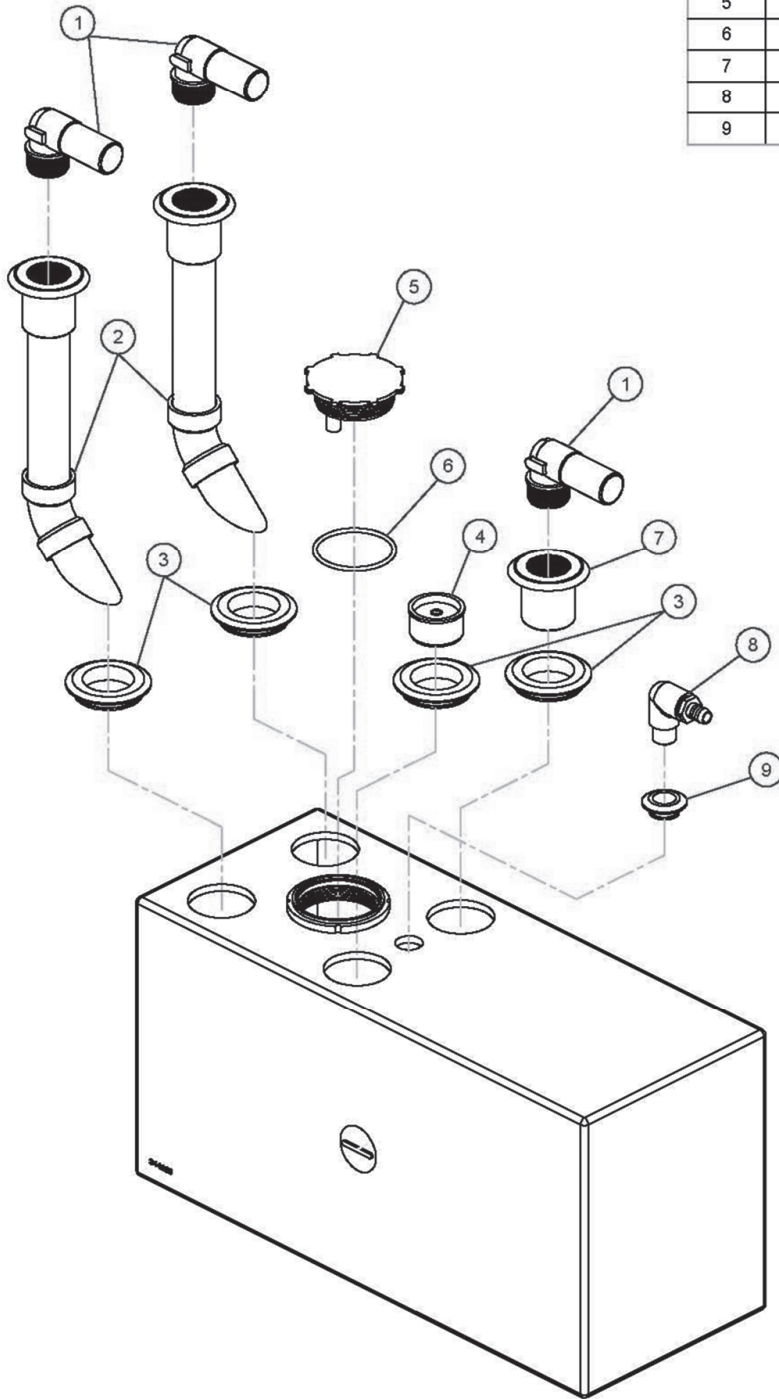
ITEM	PART NO.	DESCRIPTION
1	385311251	KIT, 90° ELBOW FITTING
2	385311077	KIT, DIPTUBE (includes item 3)
3	385311110	KIT, GROMMET, SEALING 2"
4	313255247	TANK SAVER, 1-1/2" (includes item 3)
5	385250020	KIT, CAP (includes item 6)
6	385311250	KIT, O'RING, 3-3/8" OD X 3/16"
7	385311252	KIT, FLANGED ADAPTER FITTING
8	385311073	KIT, VENT ELBOW BARBED
9	385311112	KIT, GROMMET SEALING 3/4"



Dometic Corporation - Sanitation Systems
13128 State Rt. 226, P.O. Box 38
Big Prairie, OH 44611-0038 USA
Telephone: 330-496-3211
Fax: 330-496-3097
Email: sealand@domecusa.com

PARTS LIST: MODEL 322840202 HTS BASIC

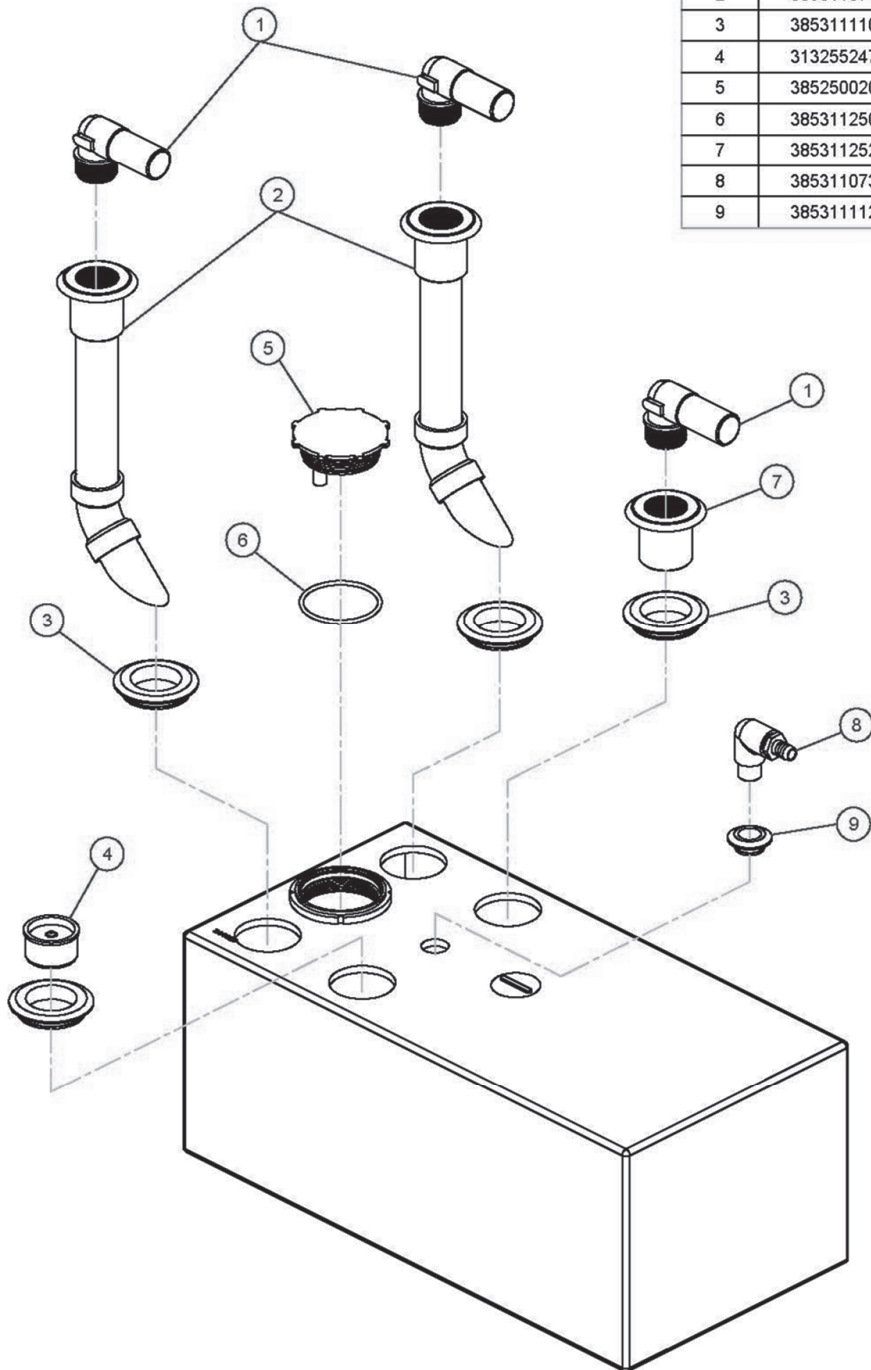
ITEM	PART NO.	DESCRIPTION
1	385311251	KIT, 90° ELBOW FITTING
2	385311078	KIT, DIPTUBE
3	385311110	KIT, GROMMET SEALING 2"
4	313255247	TANK SAVER, 1-1/2" (includes item 3)
5	385250020	KIT, CAP (includes item 6)
6	385311250	KIT, O'RING 3-3/8" OD X 3/16"
7	385311252	KIT, FLANGED ADAPTER FITTING
8	385311073	KIT, VENT ELBOW BARBED
9	385311112	KIT, GROMMET SEALING 3/4"



Dometic Corporation - Sanitation Systems
 13128 State Rt. 226, P.O. Box 38
 Big Prairie, OH 44611-0038 USA
 Telephone: 330-496-3211
 Fax: 330-496-3097
 Email: sealand@dometicusa.com

PARTS LIST: MODEL 322840201 HTS BASIC

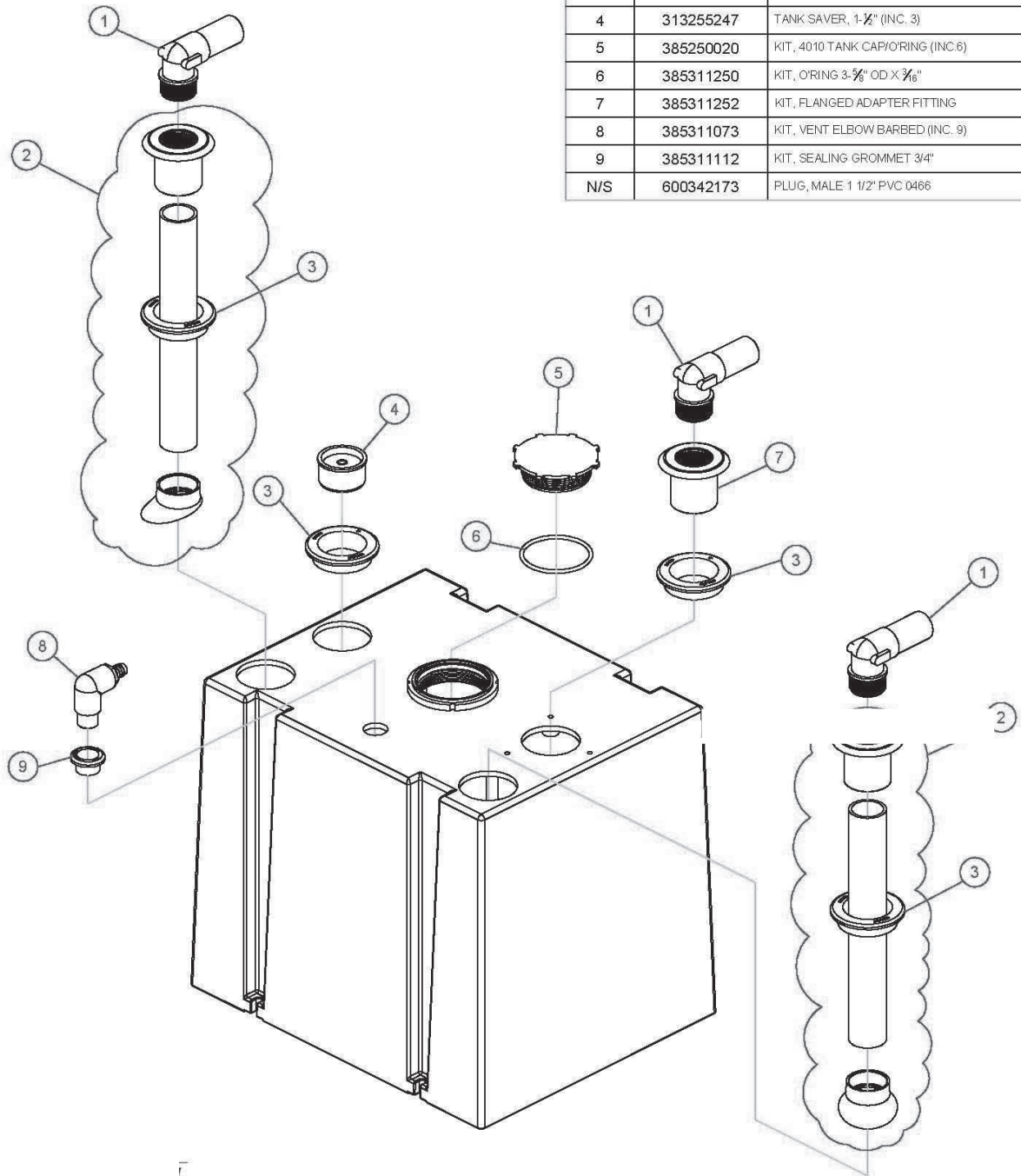
ITEM	PART NO.	DESCRIPTION
1	385311251	KIT, 90° ELBOW FITTING
2	385311076	KIT, DIPTUBE (includes item 3)
3	385311110	GROMMET, SEALING 2"
4	313255247	TANK SAVER, 1- $\frac{1}{2}$ " (includes item 3)
5	385250020	KIT, CAP (includes item 6)
6	385311250	KIT, O'RING, 3- $\frac{1}{2}$ " OD X $\frac{1}{16}$ "
7	385311252	KIT, FLANGED FITTING ADAPTER
8	385311073	KIT, VENT ELBOW BARBED
9	385311112	GROMMET, SEALING $\frac{3}{4}$ "



Dometic Corporation - Sanitation Systems
 13128 State Rt. 226, P.O. Box 38
 Big Prairie, OH 44611-0038 USA
 Telephone: 330-496-3211
 Fax: 330-496-3097
 Email: sealand@dometicusa.com

PARTS LIST: 25 GAL 322800251

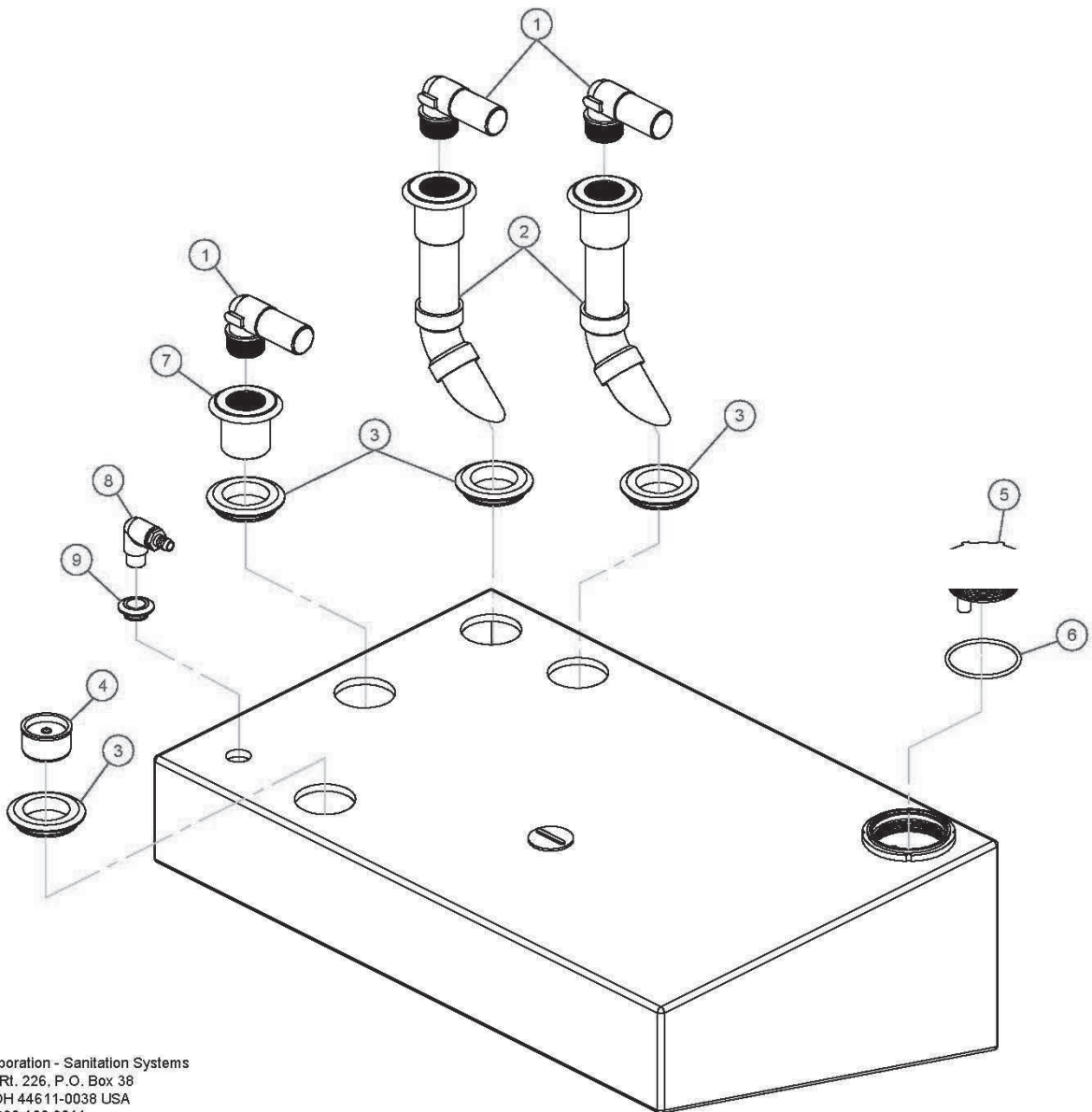
ITEM	PART NO.	DESCRIPTION
1	385311251	KIT, 90° ELBOW FITTING
2	385310660	KIT, DIP TUBE-UNIVERSAL (INC. 3)
3	385311110	KIT, SEALING GROMMET 2"
4	313255247	TANK SAVER, 1-1/2" (INC. 3)
5	385250020	KIT, 4010 TANK CAP/O-RING (INC. 6)
6	385311250	KIT, O-RING 3-5/8" OD X 3/16"
7	385311252	KIT, FLANGED ADAPTER FITTING
8	385311073	KIT, VENT ELBOW BARBED (INC. 9)
9	385311112	KIT, SEALING GROMMET 3/4"
N/S	600342173	PLUG, MALE 1 1/2" PVC 0486



Dometic Corporation - Sanitation Systems
 13128 State Rt. 226, P.O. Box 38
 Big Prairie, OH 44611-0038 USA
 Telephone: 330-496-3211
 Fax: 330-496-3097
 Email: sealand@dometicusa.com

PARTS LIST: 28 GAL 322800281

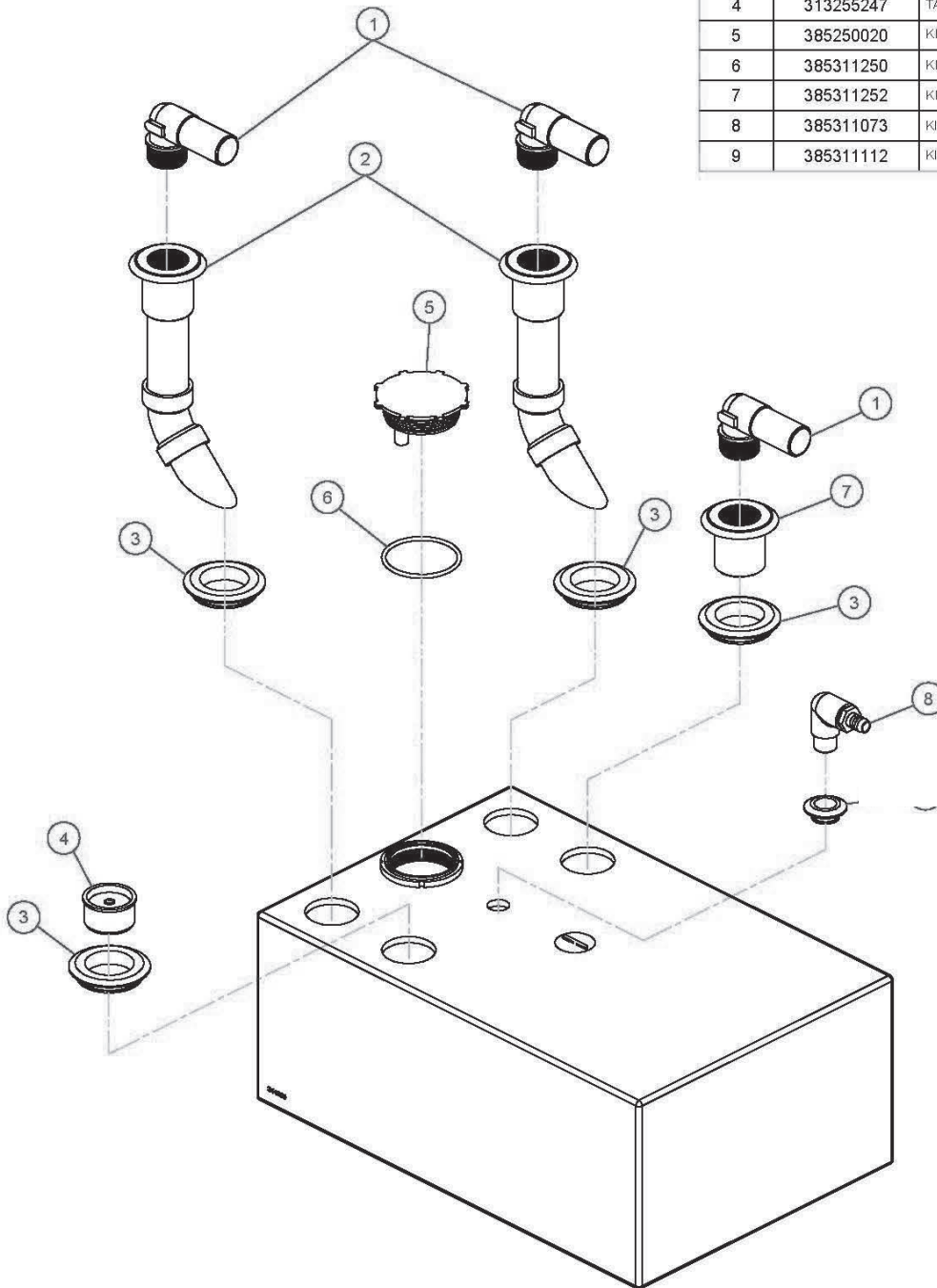
ITEM	PART NO.	DESCRIPTION
1	385311251	KIT, 90° ELBOW FITTING
2	385310660	KIT, DIPTUBE (includes item 3)
3	385311110	GROMMET, SEALING 2"
4	313255247	TANK SAVER, 1-1/2" (includes item 3)
5	385250020	KIT, CAP (includes item 6)
6	385311250	KIT, TW CAP ORING REPL
7	385311252	KIT, FLANGED ADAPTER, FITTING
8	385311073	KIT, VENT ELBOW BARBED
9	385311112	GROMMET, SEALING 3/4"



Dometic Corporation - Sanitation Systems
13128 Slate Rt. 226, P.O. Box 38
Big Prairie, OH 44611-0038 USA
Telephone: 330-496-3211
Fax: 330-496-3097
Email: sealand@dometicusa.com

PARTS LIST: MODEL 322840301 HTS BASIC

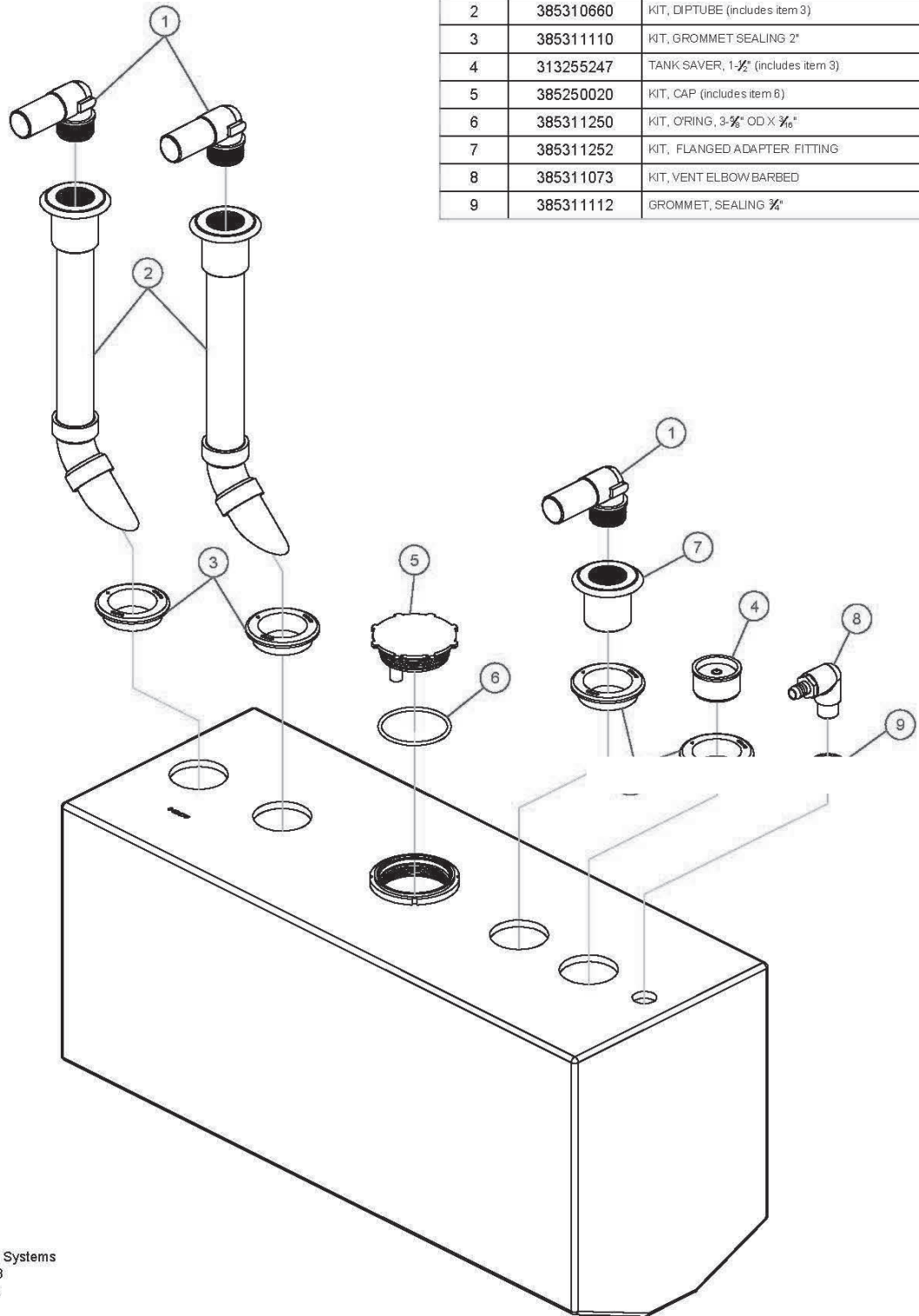
ITEM	PART NO.	DESCRIPTION
1	385311251	KIT, 90° ELBOW FITTING
2	385311078	KIT, DIPTUBE
3	385311110	KIT, GROMMET SEALING 2"
4	313255247	TANK SAVER, 1-1/2" (includes item 3)
5	385250020	KIT, CAP (includes item 6)
6	385311250	KIT, O-RING 3-5/8" OD X 3/8"
7	385311252	KIT, FLANGED ADAPTER FITTING
8	385311073	KIT, VENT ELBOW BARBED
9	385311112	KIT, GROMMET SEALING 3/4"



Dometic Corporation - Sanitation Systems
 13128 State Rt. 226, P.O. Box 38
 Big Prairie, OH 44611-0038 USA
 Telephone: 330-496-3211
 Fax: 330-496-3097
 Email: sealand@dometicusa.com

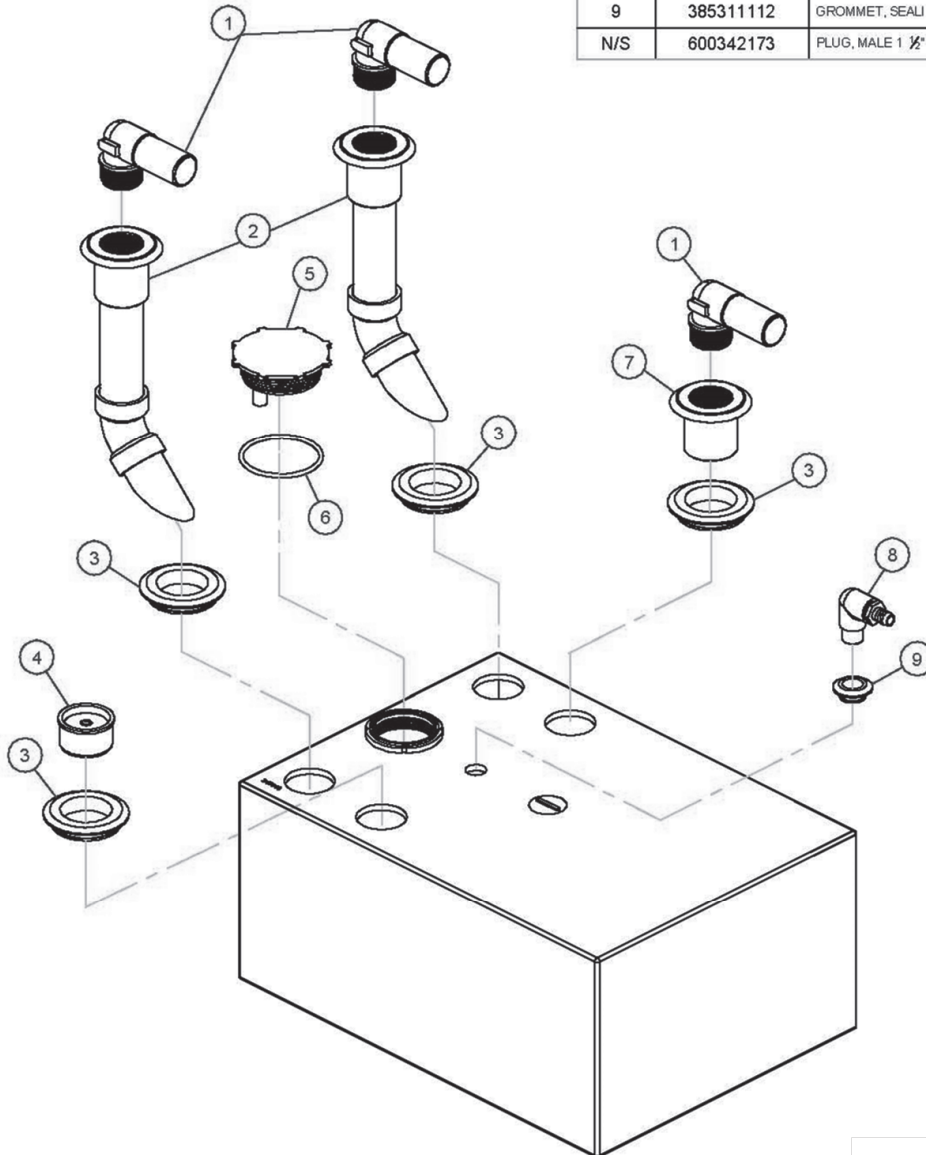
PARTS LIST: 35 GAL BASIC 322800351

ITEM	PART NO.	DESCRIPTION
1	385311251	KIT, 90° ELBOW FITTING
2	385310660	KIT, DIPTUBE (includes item 3)
3	385311110	KIT, GROMMET SEALING 2"
4	313255247	TANK SAVER, 1-1/2" (includes item 3)
5	385250020	KIT, CAP (includes item 6)
6	385311250	KIT, O'RING, 3-5/8" OD X 3/8"
7	385311252	KIT, FLANGED ADAPTER FITTING
8	385311073	KIT, VENT ELBOW BARBED
9	385311112	GROMMET, SEALING 3/4"



PARTS LIST: MODEL 322840401 HTS BASIC

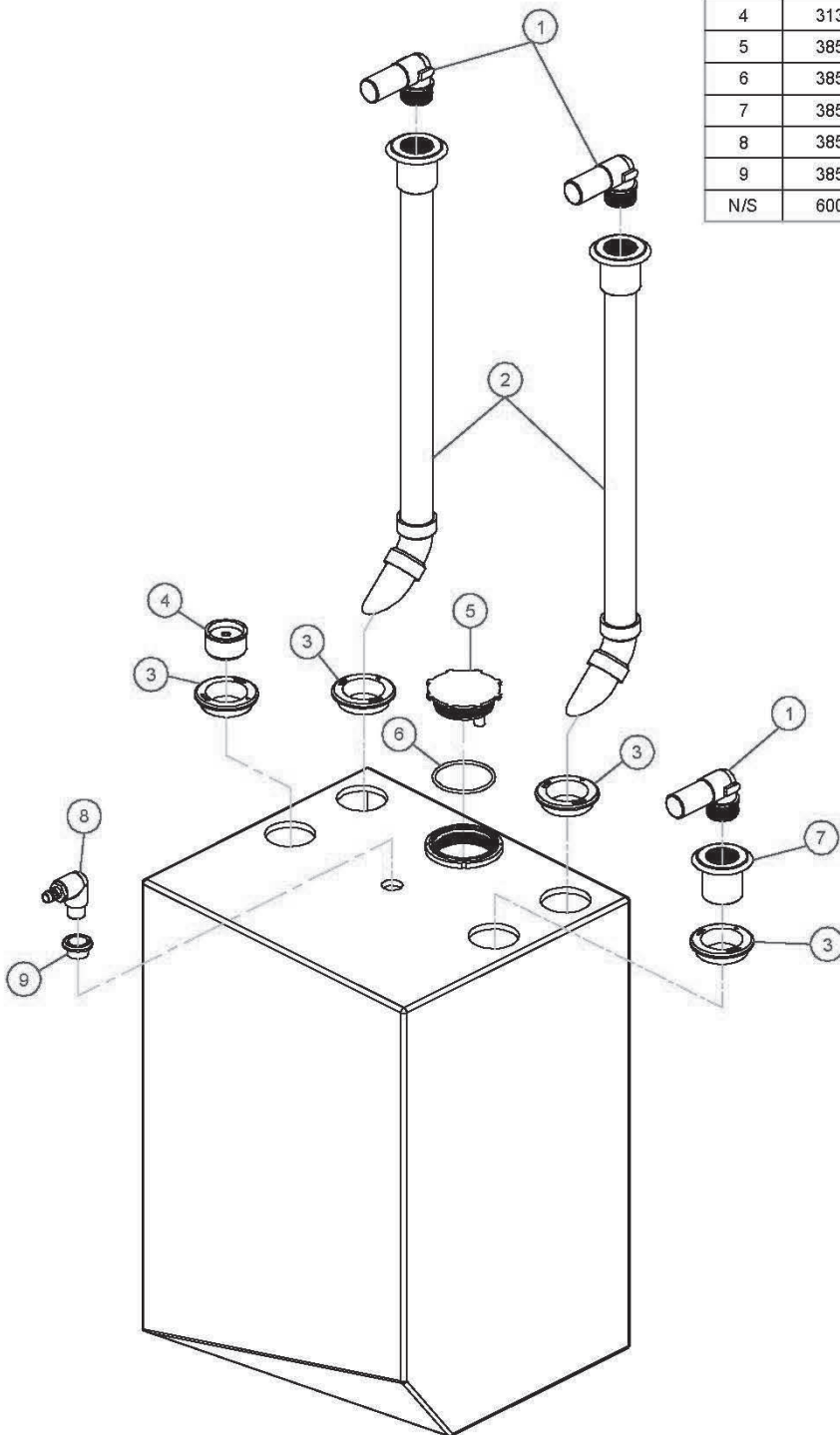
ITEM	PART NO.	DESCRIPTION
1	385311251	KIT, 90° ELBOW FITTING
2	385311078	KIT, DIPTUBE
3	385311110	GROMMET, SEALING 2"
4	313255247	TANK SAVER, 1- $\frac{1}{2}$ " (includes item 3)
5	385250020	KIT, CAP (includes item 6)
6	385311250	KIT, TW CAP ORING REPL
7	385311252	ADAPTER, FLANGED FITTING
8	385311073	KIT, VENT ELBOW BARBED
9	385311112	GROMMET, SEALING $\frac{3}{4}$ "
N/S	600342173	PLUG, MALE 1 $\frac{1}{2}$ " PVC



Dometic Corporation - Sanitation Systems
 13128 State Rt. 226, P.O. Box 38
 Big Prairie, OH 44611-0038 USA
 Telephone: 330-496-3211
 Fax: 330-496-3097
 Email: sealand@dometicusa.com

PARTS LIST: MODEL 322850501 HTS BASIC

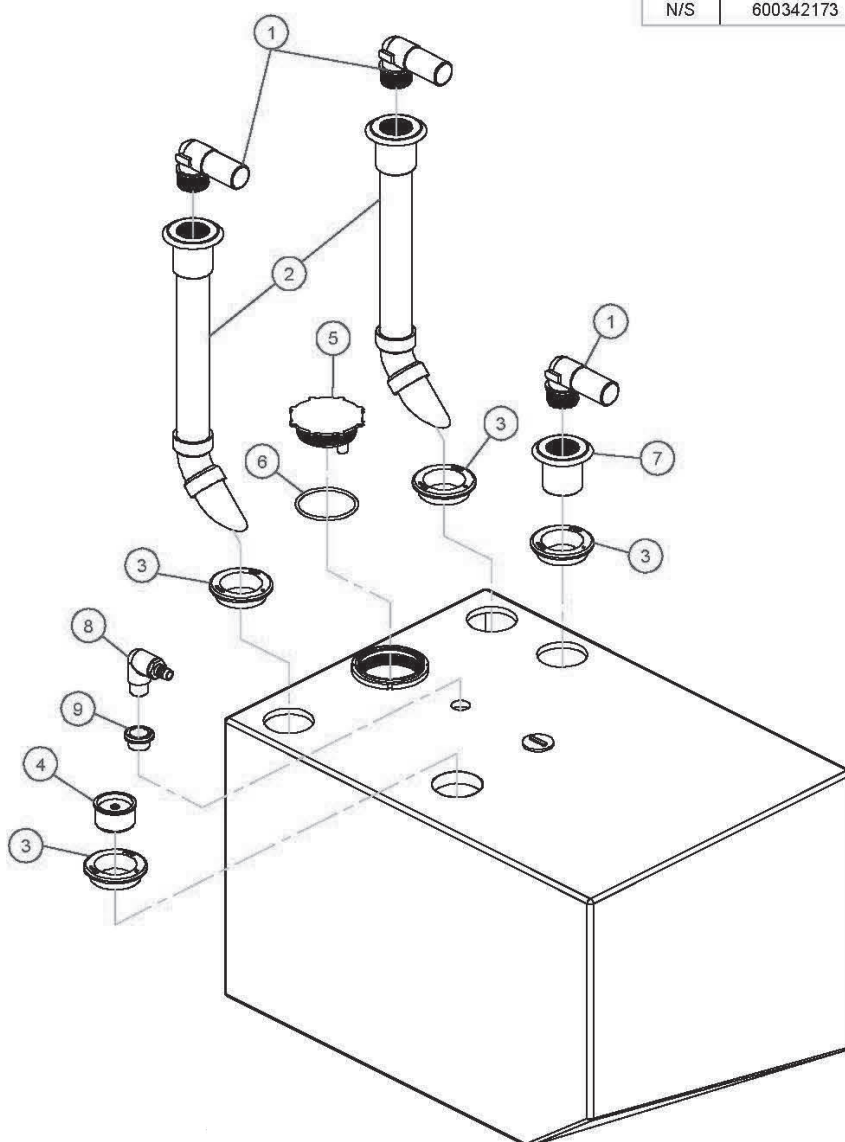
ITEM	PART NO.	DESCRIPTION
1	385311251	KIT, 90° ELBOW FITTING
2	385310660	KIT, DIPTUBE (includes item 3)
3	385311110	GROMMET, SEALING 2"
4	313255247	TANK SAVER, 1-1/2" (includes item 3)
5	385250020	KIT, CAP (includes item 6)
6	385311250	KIT, O-RING 3-5/8" OD X 3/16"
7	385311252	KIT, FLANGED ADAPTER FITTING
8	385311073	KIT, VENT ELBOW BARBED
9	385311112	GROMMET, SEALING 3/4"
N/S	600342173	PLUG, MALE 1 1/2" PVC



Dometic Corporation - Sanitation Systems
 13128 State Rt. 226, P.O. Box 38
 Big Prairie, OH 44611-0038 USA
 Telephone: 330-496-3211
 Fax: 330-496-3097
 Email: sealand@dometicusa.com

PARTS LIST: MODEL 322850502 HTS BASIC

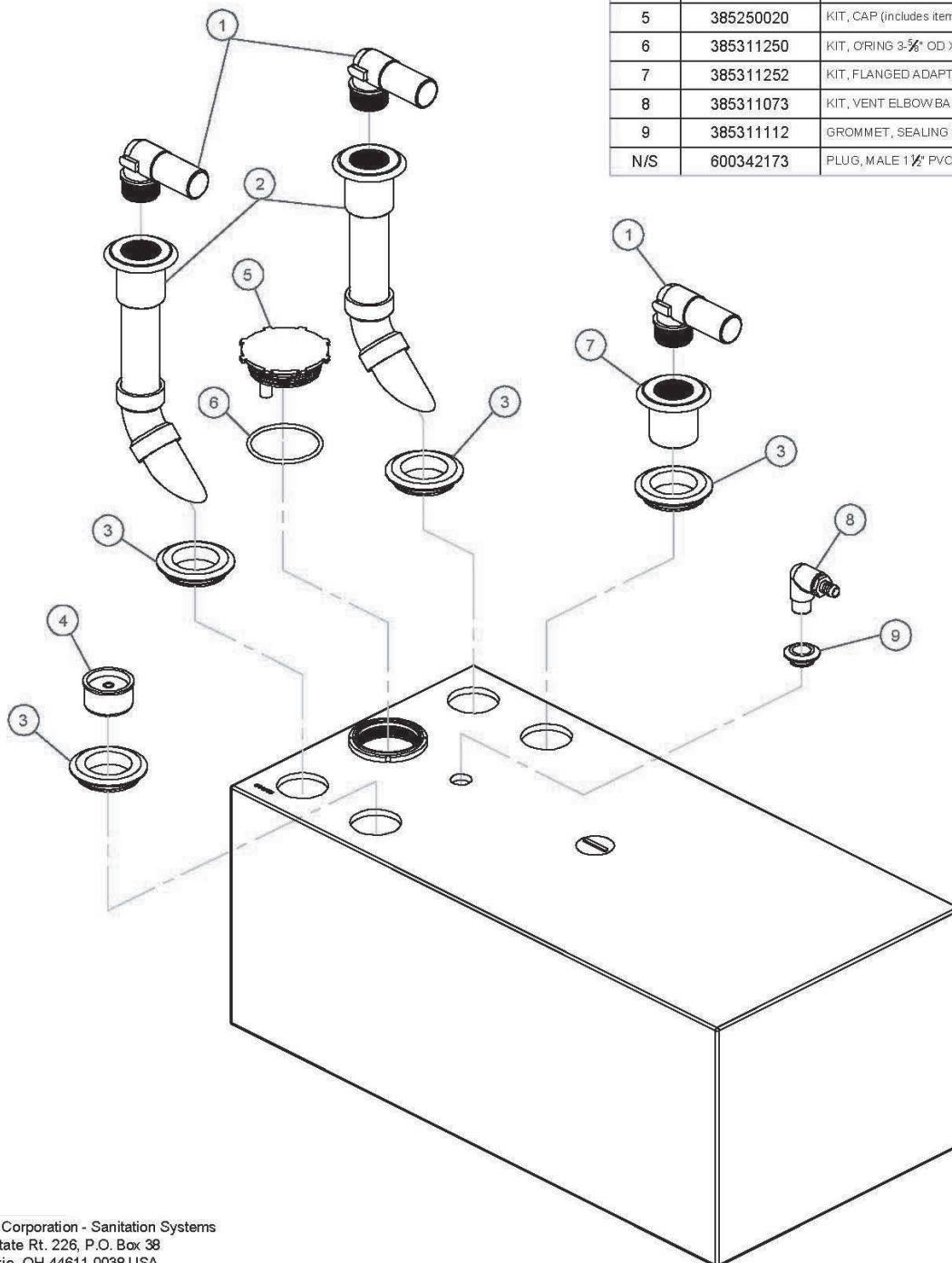
ITEM	PART NO.	DESCRIPTION
1	385311251	KIT, 90° ELBOW FITTING
2	385310660	KIT, DIPTUBE (includes item 3)
3	385311110	GROMMET, SEALING 2"
4	313255247	TANK SAVER, 1 1/2" (includes item 3)
5	385250020	KIT, CAP (includes item 6)
6	385311250	KIT, O'RING 3 5/8" OD X 3/8"
7	385311252	KIT, FLANGED ADAPTER FITTING
8	385311073	KIT, VENT ELBOW BARBED (includes item 9)
9	385311112	GROMMET, SEALING 3/4"
N/S	600342173	PLUG, MALE 1 1/2" PVC



Dometic Corporation - Sanitation Systems
 13128 State Rt. 226, P.O. Box 38
 Big Prairie, OH 44611-0038 USA
 Telephone: 330-496-3211
 Fax: 330-496-3097
 Email: sealand@dometicusa.com

PARTS LIST: MODEL 322840551 HTS BASIC

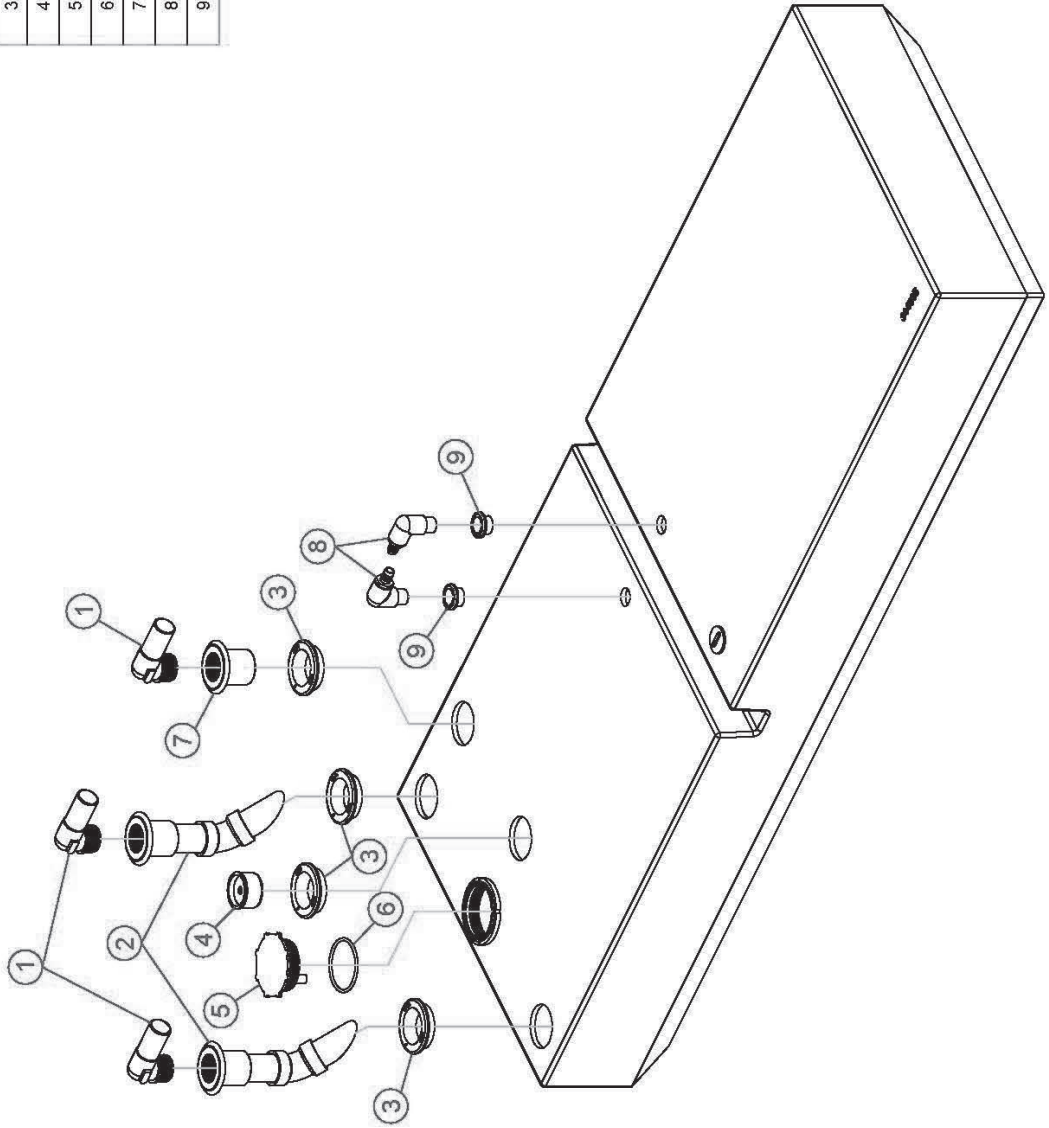
ITEM	PART NO.	DESCRIPTION
1	385311251	KIT, 90° ELBOW FITTING
2	385310660	KIT, DIPTUBE (includes item 3)
3	385311110	GROMMET, SEALING 2"
4	313255247	TANK SAVER, 1-1/2" (includes item 3)
5	385250020	KIT, CAP (includes item 6)
6	385311250	KIT, O'RING 3-5/8" OD X 3/16"
7	385311252	KIT, FLANGED ADAPTER FITTING
8	385311073	KIT, VENT ELBOW BARBED
9	385311112	GROMMET, SEALING 3/4"
N/S	600342173	PLUG, MALE 1/2" PVC



Dometic Corporation - Sanitation Systems
 13128 State Rt. 226, P.O. Box 38
 Big Prairie, OH 44611-0038 USA
 Telephone: 330-496-3211
 Fax: 330-496-3097
 Email: sealand@dometicusa.com

PARTS LIST: HD TANK 80G HULL-BASIC

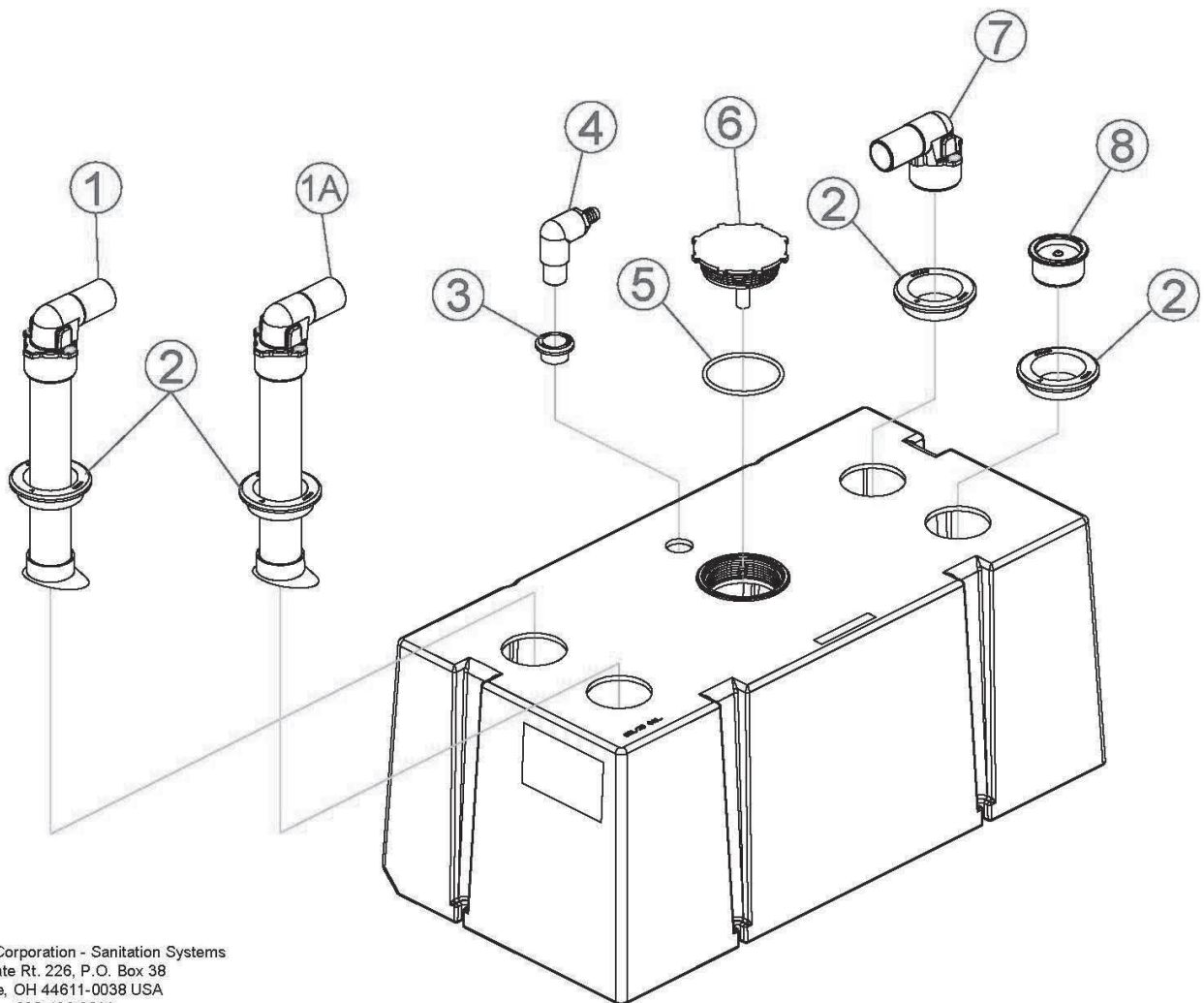
ITEM	PART NO.	DESCRIPTION
1	385311251	KIT, 90° ELBOW/FITTING
2	385310660	KIT, DIPTUBE (includes item 3)
3	385311110	GROMMET, SEALING 2"
4	360255247	TANK SAVER, 1 1/2" (includes item 3)
5	385250020	KIT, CAP (includes item 6)
6	385311250	KIT, TW/CAP ORING REPL.
7	385311252	KIT, FLANGED ADAPTER FITTING
8	385311073	KIT, VENT ELBOW BARBED (includes item 9)
9	385311112	GROMMET, SEALING 3/4"



PARTS LIST:

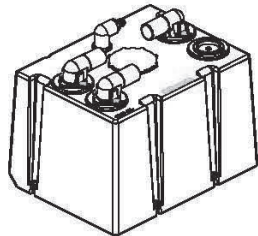
P/N: 600346052
REV.: 11/08

322601101			HD TANK-EU 42L/11G W/CAP
322601601			HD TANK-EU 61L/16G W/CAP
322602301			HD TANK-EU 88L/23G W/CAP
322602901			HD TANK-EU 110L/29G W/CAP
322603601			HD TANK-EU 137L/36G W/CAP
LITER	ITEM	PART NO.	DESCRIPTION
42 - 61 - 110	1	385311606	KIT, DIPTUBE/ELBOW/SEAL 9-5/8 (INC.2)
88L - 137L	1A	385311607	KIT, DIPTUBE/ELBOW/SEAL11-3/16 (INC.2)
ALL MODELS	2	385311110	KIT, SEALING GROMMET 2"
ALL MODELS	3	385311112	KIT, SEALING GROMMET 3/4"
ALL MODELS	4	385311073	KIT, VENT ELBOW-BARBED (INC. 3)
ALL MODELS	5	385311250	KIT, TW CAP ORING REPL
ALL MODELS	6	385250020	KIT, 4010 TANK CAP/O'RING (INC. 5)
ALL MODELS	7	385311608	KIT, INLET ELBOW (1PC)(INC.2)
ALL MODELS	8	313255247	TANKSAVER 1-1/2" (INC. 2)

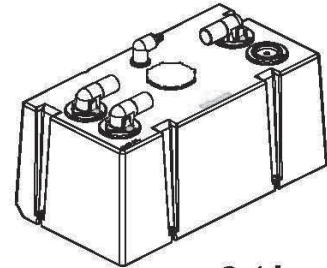


Dometic Corporation - Sanitation Systems
13128 State Rt. 226, P.O. Box 38
Big Prairie, OH 44611-0038 USA
Telephone: 330-496-3211
Fax: 330-496-3097
Email: sealand@dometicusa.com

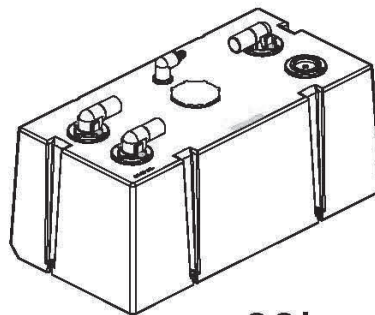
MODELS



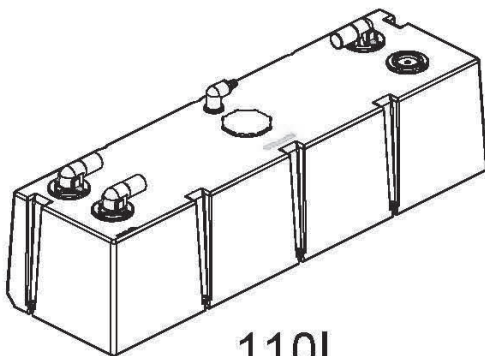
42L



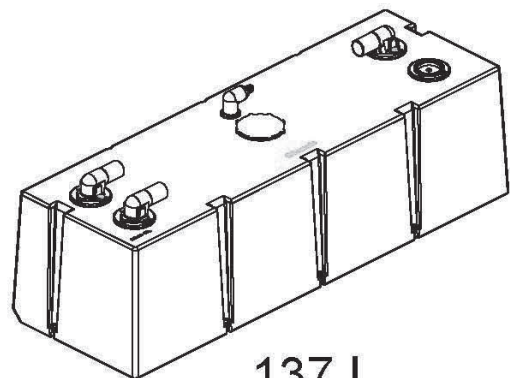
61L



88L



110L

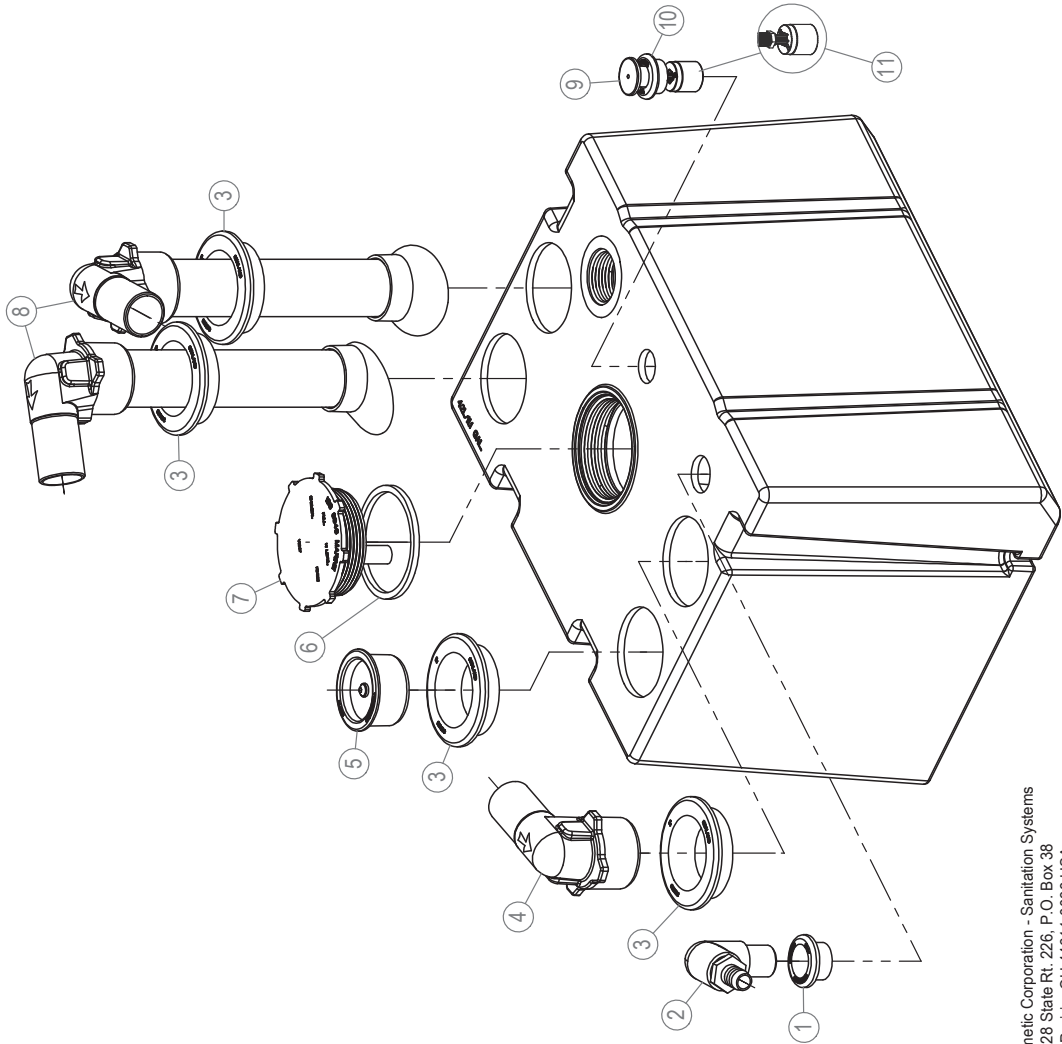


137 L

P/N: 600347374
REV.: 01-06/17

PARTS LIST: 42L/11G HOLDING TANK / 322601103

ITEM	PART NUMBER & DESCRIPTION
1	385311112 - 3/4" SEALING GROMMET
2	385311073 - 5/8" VENT ELBOW FITTING **Includes Item 1.
3	385311110 - 2" SEALING GROMMET
4	385311608 - 1-1/2" INLET ELBOW FITTING **Includes Item 3.
5	313255247 - TANKSAVER **Includes Item 3.
6	385311250 - TANKWATCH CAP O'RING REPL
7	385250020 - TANK CAP REPLACEMENT **Includes Items 6.
8	385311573 - DIPTUBE ASSY w/90° ELBOW **Includes Item 3.
9	313900101 - TANK FULL LEVEL **Includes Item 10 & 11.
10	385311164 - 1/2" SEALING GROMMET
11	385230268 - THREADED STEM/FLOAT REPLACEMENT

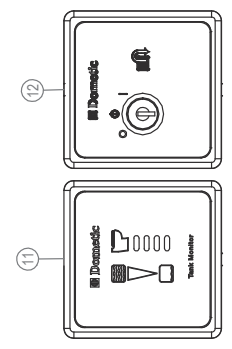
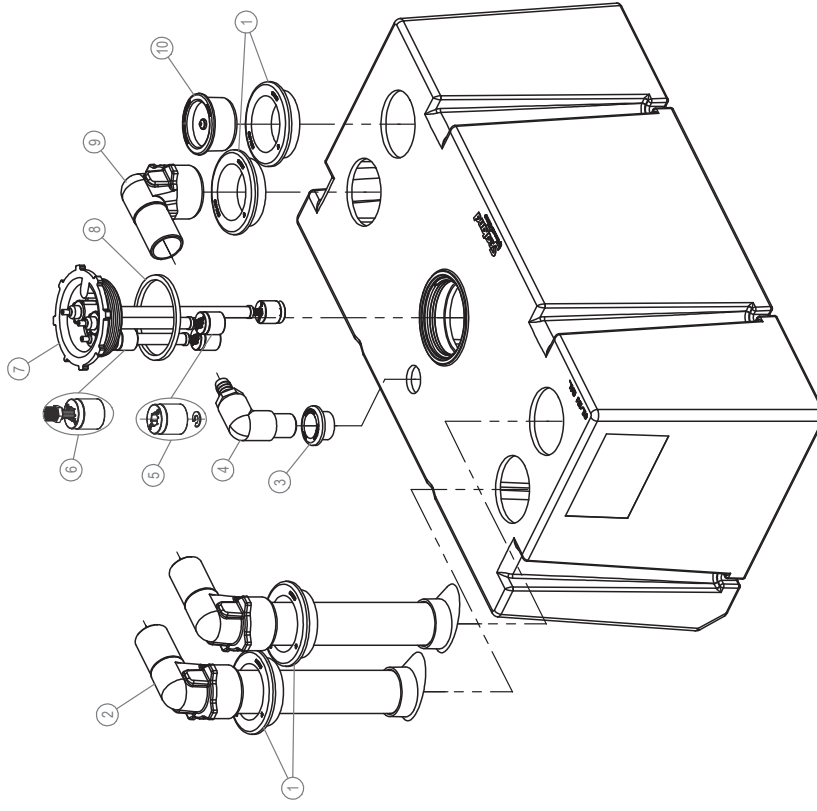


Dometic Corporation - Sanitation Systems
13128 State Rt. 226, P.O. Box 38
Big Prairie, OH 44611-0038 USA
Telephone: 330-439-5550
Fax: 330-496-3097
Email: sealand@dometicus.com

P/N: 600346997
REV.: 03-01/15

PARTS LIST: 61 LITER / 16 GALLON HOLDING TANK (322601602; 322601603 & 322601604)

ITEM	PART NUMBER & DESCRIPTION
1	385311110 - 2" SEALING GROMMET
2	385311573 - DIPTUBE ASSY w/90° ELBOW **INCLUDES ITEM #1
3	385311112 - 3/4" SEALING GROMMET
4	385311073 - 5/8" VENT ELBOW FITTING **INCLUDES ITEM #3
5	385311103 - TANK LEVEL FLOAT & LOCK RING
6	385230268 - THREADED STEM/FLOAT REPLACEMENT
7	385311970 - KIT, TWCAP NVENT DT-322601602 **INCLUDES ITEM #8
8	385311250 - TANKWATCH CAP O'RING REPL
9	385311608 - 1-1/2" INLET ELBOW FITTING **INCLUDES ITEM #1
10	313255247 - TANKSAVER **INCLUDES ITEM #1
11	385311971 - DTM04 TANK FULL HARNESS REPLACEMENT
12	313814101 - DTD01 PANEL w/RELAY - 12V (BLACK)
13	385311111 - 1-1/2" SEALING GROMMET



Domestic Corporation - Sanitation Systems
13128 State Rt. 226, P. O. Box 38
Big Prairie, OH 44611-0038 USA
Telephone: 330-439-5550
Fax: 330-496-3097
Email: sealand@domesticusa.com



Mobile living made easy.

13128 State Route 226
Big Prairie, Ohio 44611 USA
Phone 330.439.5550
Fax 330.496.3097
Email sanitation.orders@dometic.com Web
www.dometic.com

L-2934 2-20-2019